



Test Report for FCC

FCC ID : TKWXS2-OAPB

Report Number		ESTRFC2109-001			
Applicant	Company name	Suprema Inc			
	Address	17F-5, Parkview Office Tower, 248, Jeongjail-ro, Bundang-gu, Seongnam, Gyeonggi, South Korea			
	Telephone	+82-31-710-4908			
Product	Product name	X-Station 2			
	Model No.	XS2-OAPB	Manufacturer	Suprema Inc	
	Serial No.	NONE	Country of origin	KOREA	
Test date	26-Aug-21 ~ 05-Sep-21		Date of issue	6-Sep-21	
Testing location	347-69, Jungbu-daero 147beon-gil, Majang-myeon, Icheon-si, Gyeonggi-do 467-811, R. O. Korea				
Standard	FCC PART 15 Subpart C(15.209), ANSI C 63.10(2013)				
Test item	<input checked="" type="checkbox"/> Conducted Emission	<input type="checkbox"/> Class A	<input checked="" type="checkbox"/> Class B	Test result	OK
	<input checked="" type="checkbox"/> Radiated Emission	<input type="checkbox"/> Class A	<input checked="" type="checkbox"/> Class B	Test result	OK
Measurement facility registration number		659627			
Tested by	Engineer J.G. Lee		(Signature)		
Reviewed by	Engineering Manager I.K. Hong		(Signature)		
Abbreviation	OK, Pass = Complied, Fail = Failed, N/A = not applicable				
<p>* Note</p> <ul style="list-style-type: none"> <li>- This test report is not permitted to copy partly without our permission</li> <li>- This test result is dependent on only equipment to be used</li> <li>- This test report is not related to KOLAS accreditation</li> <li>- Additional models name:XS2-ODPB</li> <li>- The XS2-ODPB model does not have a IC in the XS2-OAPB model.</li> </ul>					



## Contents

1. Laboratory Information .....	3
2. Description of EUT .....	4
3. Test Standards .....	6
4. Measurement condition .....	7
5. Measurement of radiated emission .....	9
5.1 Radiated emission limits, general requirements .....	9
5.2 Measurement equipment .....	9
5.3 Environmental conditions .....	9
5.4 Test data .....	10
6. Measurement of conducted emission .....	12
6.1 Measurement equipment .....	12
6.2 Environmental conditions .....	12
6.3 Test data .....	13

Appendix 1. Special diagram  
Appendix 2. Antenna Requirement



## 1. Laboratory Information

### 1.1 General

This EUT (Equipment Under Test) has been shown to be capable of compliance with the applicable technical standards and is tested in accordance with the measurement procedures as indicated in this report. ESTECH Lab attests to accuracy of test data. All measurement reported herein were performed by ESTECH Co., Ltd.

ESTECH Lab assume full responsibility for the completeness of these measurements and vouch for the qualifications of all persons taking them.

### 1.2 Test Lab.

Corporation Name : ESTECH Co., Ltd.

Head Office : Suite 1015 World Meridian II, 123 Gasan Digital 2-ro, Geumcheon-gu,  
Seoul 153-759, R. O. Korea

EMC/Telecom/Safety Test Lab : 347-69, Jungbu-daero 147beon-gil, Majang-myeon, Icheon-si,  
Gyeonggi-do 467-811, R. O. Korea

### 1.3 Official Qualification(s)

KCC : Granted Accreditation from Ministry of Information & Communication for EMC, Safety  
and Telecommunication

KOLAS : Accredited Lab By Korea Laboratory Accreditation Schema base on CENELEC

FCC : Filed Laboratory at Federal Communications Commission

VCCI : Granted Accreditation from Voluntary Control Council for Interference from ITE



## 2. Description of EUT

### 2.1 Summary of Equipment Under Test

Product : X-Station 2  
 Model Number : XS2-OAPB  
 Serial Number : NONE  
 Manufacturer : Suprema Inc.  
 Country of origin : KOREA  
 Operating Frequency : 128.5 kHz  
 Antenna Type : Coil Antenna  
 Modulation Type : ASK  
 Channel Spacing : 1

Power Rating : INPUT: AC(100 – 240) V, (50–60)Hz, 1.7 A  
 : OUTPUT: DC 24 V, 2.5 A

Receipt Date : 26-Jul-21

X-tal list(s) or Frequencies generated : The highest operating frequency is 128.5 kHz

### 2.2 General descriptions of EUT

Category	Feature	Specification
General	Biometric	Fingerprint
	LFD	Supported
	RF Option	2.4 GHz, 125 kHz Mifare/DesFire/DesFire EV1/Felica/NFC, 125 kHz iClass SE
Storage capacity	Max. User (1:1)	500,000
	Max. User (1:N)	100,000
	Max. Template (1:1)	1,000,000
	Max. Template (1:N)	200,000
	Max. Text Log	5,000,000
	Max. Image Log	50,000



Category	Feature	Specification
Interface	Wi-Fi	Supported
	TCP/IP	Supported
	RS-485	1ch Host or Slave (Selectable)
	RS-232	Supported
	Wiegand	1ch Input, 1ch Output
	TTL input	1ch Input
	Relay	2 Relay
	USB	USB 2.0 (Host)
Relay	Voltage	Max. 24 V DC
	Current	0.5 A, Max. 1.A
Hardware	CPU	1.0 GHz
	Memory	8 GB Flash + 1 GB RAM
	LCD	5" color touch LCD
	LED	Multiple colors
	Sound	24 bit/Voice DSP (echo cancel)
	Operating temperature	-20°C ~ 50°
	Temper	Supported
	Power	9 V ~ 18 V
	PoE	Supported
	Dimension (W x H x D mm)	155 x 155 x 40
	Certificates	CE, FCC, KC, RoHS, REACH, WEEE

\* RF read range will vary depending on the installation environment.



### 3. Test Standards

**Test Standard : FCC PART 15**

This Standard sets out the regulations under which an intentional, unintentional, or incidental radiator may be operated without an individual license. It also contains the technical specifications, administrative requirements and other conditions relating to the marketing of Part 15 devices.

**Test Method : ANSI C 63.10 (2013)**

This standard sets forth uniform methods of measurement of radio-frequency (RF) signals and noise emitted from both unintentional and intentional emitters of RF energy in the frequency range 9 kHz to 40 GHz. Methods for the measurement of radiated and AC power-line conducted radio noise are covered and may be applied to any such equipment unless otherwise specified by individual equipment requirements. These methods cover measurement of certain devices that deliberately radiate energy, such as intentional emitters, but does not cover licensed transmitters. This standard is not intended for certification/approval of avionic equipment or for industrial, scientific, and medical (ISM) equipment. These methods apply to the measurement of individual units or systems comprised of multiple units.

**Summary of Test Results**

Applied Standard : 47 CFR Part 15, Subpart C				
Standard	Test Type	Result	Remark	Limit
15.203	Antenna Requirement	Pass	See Appendix 2	
15.207	AC Power Conducted Emission	Pass	Meet the requirement	
15.209	Radiated Emission	Pass	Meet the requirement	

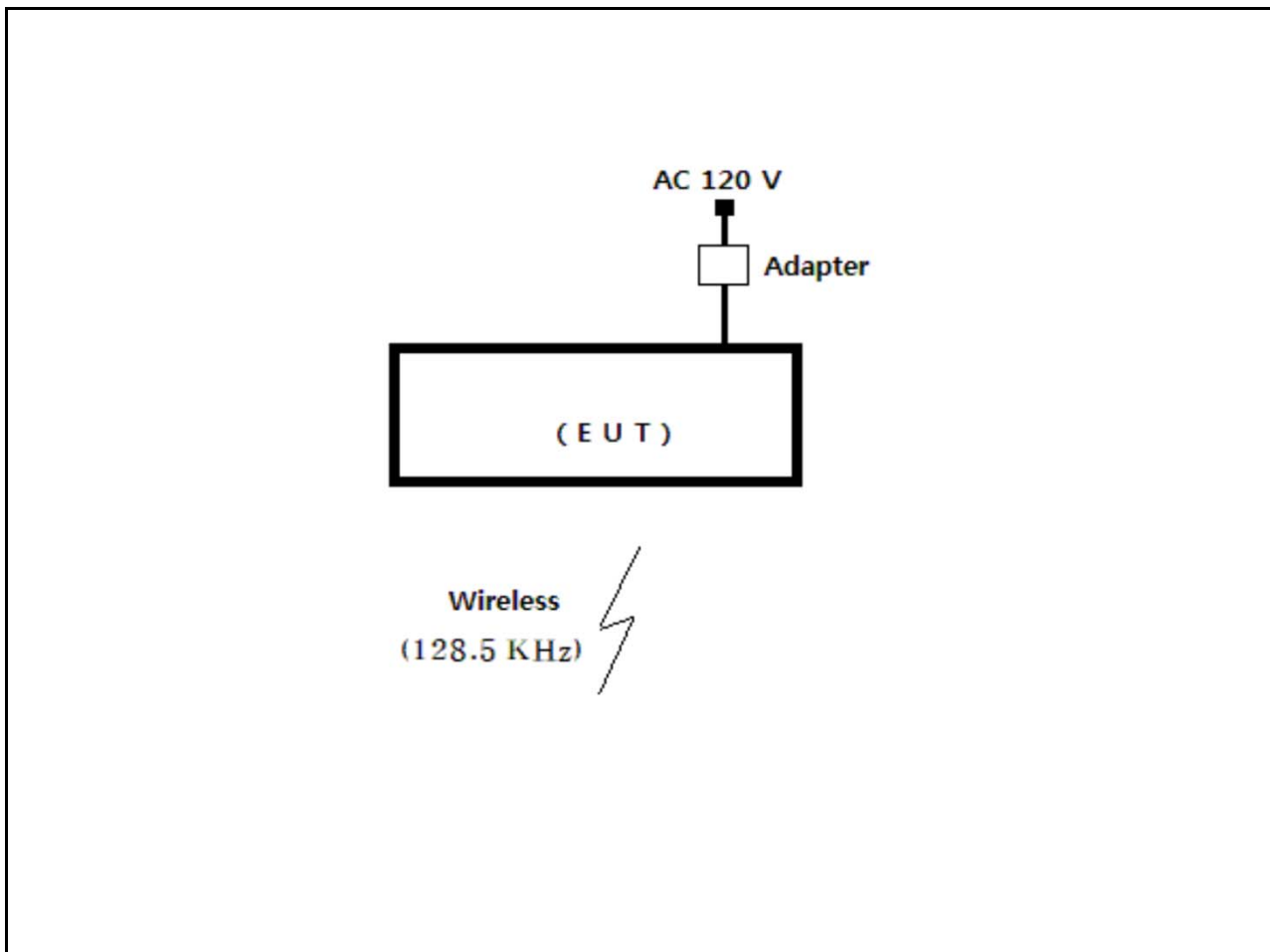
## 4. Measurement Condition

### 4.1 EUT Operation.

-The EUT was tested, under transmission / receiving

1. Normal communication with RF OUT Frequency(133.13 kHz).
2. Monitoring the operation status of frequency by using RF CARD.

### 4.2 Configuration and Peripherals





### 4.3 EUT and Support equipment

Equipment Name	Model Name	S/N	Manufacturer	Remark (FCC ID)
X-Station 2	XS2-OAPB	NONE	Suprema Inc	EUT
Adapter	KPL-060M	NONE	Channel Well Technology(Guangzhou)Co., Ltd.	

### 4.4 Cable Connecting

Start Equipment		End Equipment		Cable Standard		Remark
Name	I/O port	Name	I/O port	Length	Shielded	
X-Station 2	Power	Adapter	-	2	Unshielded	



## 5. Measurement of radiated disturbance

The EUT was placed on the top of a rotating table 0.8 m above the ground at a 3 m Open test site. The table was rotated 360 ° to determine the position of the highest radiation. Then antenna is a loop antenna is fixed at one meter above the ground to determine the maximum value of the field strength. Both parallel and perpendicular of the antenna are set to make the measurement. For each suspected emission, the EUT was arranged to its worst case and then the table was turned from 0 degrees to 360 ° to find the maximum reading. The test-receiver system was set to Peak Detect Function and Specified Bandwidth with Maximum Hold Mode.

### 5.1 Radiated emission limits, general requirements

Except as provided elsewhere in this Subpart, the emissions from an intentional radiator shall not exceed the field strength levels specified in the following table:

Frequency (MHz)	Field Strength(microvolt/meter)	Distance(meter)
0.009-0.490	2400/F(KHz)	300
0.490-1.705	24000/F(KHz)	30
1.705-30	30	30
30-88	100**	3
88-216	150**	3
216-960	200**	3
Above 960	500	3

\* dBuV/m=20\*log(uV/m) \* Distance factor=40dB / decade(15.31(f))

### 5.2 Measurement equipments

Equipment Name	Type	Manufacturer	Serial No.	Next Calibration date
TEST Receiver	ESCI7	ROHDE & SCHWARZ	100916	19-Jul-22
Logbicon Antenna	VULB 9168	SCHWARZBECK	193	14-Jan-22
Turn Table	DT3000-2t	Innco System GmbH	N/A	-
Antenna Mast	MA4000-EP	Innco System GmbH	N/A	-
Antenna Master & Turn table controller	CO2000-P	Innco System GmbH	CO2000/641 /28051111/L	-
Loop Antenna	HFH2-Z2	ROHDE & SCHWARZ	100188	26-Aug-22

### 5.3 Environmental Condition

Test Place                    10 m Semi-anechoic chamber  
 Temperature (°C)        : 23.5 °C  
 Humidity (%)                : 43.2 % R.H.



### 5.4 Test data (9 kHz ~ 30 MHz)

Test Date : 26-Aug-21

Measurement Distance : 3 m

Frequency (kHz)	Reading (dB $\mu$ V)	Horizontal Position [Angle]	Height (m)	Correction Factor		Result Value(Qeas-Peak)		
				Ant Factor (dB)	Cable (dB)	Limit (dB $\mu$ V/m)	Result (dB $\mu$ V/m)	Margin (dB)
128.50	50.50	0.0	1.0	19.59	0.1	105.1	70.17	-34.95
Remark	<p>H : Horizontal, V : Vertical            There did not measure any radiated spurious emission in the range 9 kHz to 30 MHz            *There is no found Restricted bands.            *The 300 m limit was converted to 3m Limit using square factor(x) as it was found by measurements as follows:            3 m Limit(dBuV/m) = 20log(2400/F(KHz))+40log(300/3)= 20log(2400/133.13)+40log(300/3)</p>							

### 5.4 Test data(30 MHz ~ 1 000 MHz)

Test Date : 26-Aug-21

Measurement Distance : 3 m

Frequency (MHz)	Reading (dB $\mu$ V)	Position (V/H)	Height (m)	Correction Factor		Result Value(Quasi-peak)		
				Ant Factor (dB)	Cable (dB)	Limit (dB $\mu$ V/m)	Result (dB $\mu$ V/m)	Margin (dB)
32.90	23.04	V	1.0	12.04	0.73	40.00	35.81	4.19
38.70	22.48	V	1.2	12.14	0.78	40.00	35.40	4.60
87.90	29.46	V	1.4	8.16	1.25	40.00	38.88	1.12
210.70	23.42	H	1.4	10.02	1.98	43.50	35.42	8.08
250.00	22.31	H	1.4	11.70	2.17	46.00	36.18	9.82
984.00	10.94	V	1.5	24.26	4.73	54.00	39.93	14.07
Remark	<p>H : Horizontal, V : Vertical            *Result Value = Reading + Antenna + Cable loss            *Correction Factor = Ant Factor + Cable            *The resolution bandwidth and video bandwidth of test receiver/spectrum analyzer is 120 kHz for Quasi-peak detection</p>							

## 6. Measurement of conducted disturbance

The continuous disturbance voltage of AC Mains in the frequency from 0.15 MHz to 30 MHz was measured in accordance to FCC Part 15 & ANSI C 63.10 (2013) The test setup was made according to FCC Part 15 & ANSI C 63.10 (2013) in a shielded Room. The EUT was placed on a non-conductive table at least 0.8 m above the ground plan. A grounded vertical reference plane was positioned in a distance of 0.4 m from the EUT. The distance from the EUT to other metal surfaces was at least 0.8 m. The EUT was only earthen by its power cord through the line impedance stabilizing network. The power cord has been bundled to a length of 1.0 m. The test receiver with Quasi Peak detector complies with CISPR 16.

### 6.1 Measurement equipments

Equipment Name	Type	Manufacturer	Serial No.	Next Calibration date
TEST Receiver	ESHS 30	Rohde & Schwarz	828765/002	19-Jul-22
LISN	ESH2-Z5	Rohde & Schwarz	836679/025	19-Jul-22
Pulse Limiter	ESH3-Z2	Rohde & Schwarz	NONE	24-Aug-21

### 6.2 Environmental Condition

Test Place : Shielded Room  
 Temperature (°C) : 23.6 °C  
 Humidity (% R.H.) : 43.5 % R.H.

### 6.3 Test data

Test Date : 27-Aug-21

Frequency (MHz)	Correction Factor		Line (H/N)	Quasi-peak Value			Average Value		
	Lisn (dB)	Cable (dB)		Limit (dB $\mu$ V)	Reading (dB $\mu$ V)	Result (dB $\mu$ V)	Limit (dB $\mu$ V)	Reading (dB $\mu$ V)	Result (dB)
0.15	0.06	0.17	H	66.00	39.35	39.58	56.00	30.55	30.78
0.16	0.04	0.17	N	65.67	40.30	40.51	55.67	33.00	33.21
0.17	0.06	0.17	H	64.77	37.87	38.10	54.77	29.79	30.02
0.18	0.04	0.18	N	64.49	39.36	39.58	54.49	30.45	30.67
0.47	0.04	0.32	H	56.44	38.12	38.48	46.44	29.83	30.19
0.81	0.04	0.42	H	56.00	37.78	38.24	46.00	28.14	28.60
Remark	H : Hot Line, N : Neutral Line *Correction Factor = Lisn + Cable *Result = Correction Factor + Reading								

# Appendix 1. Special diagram

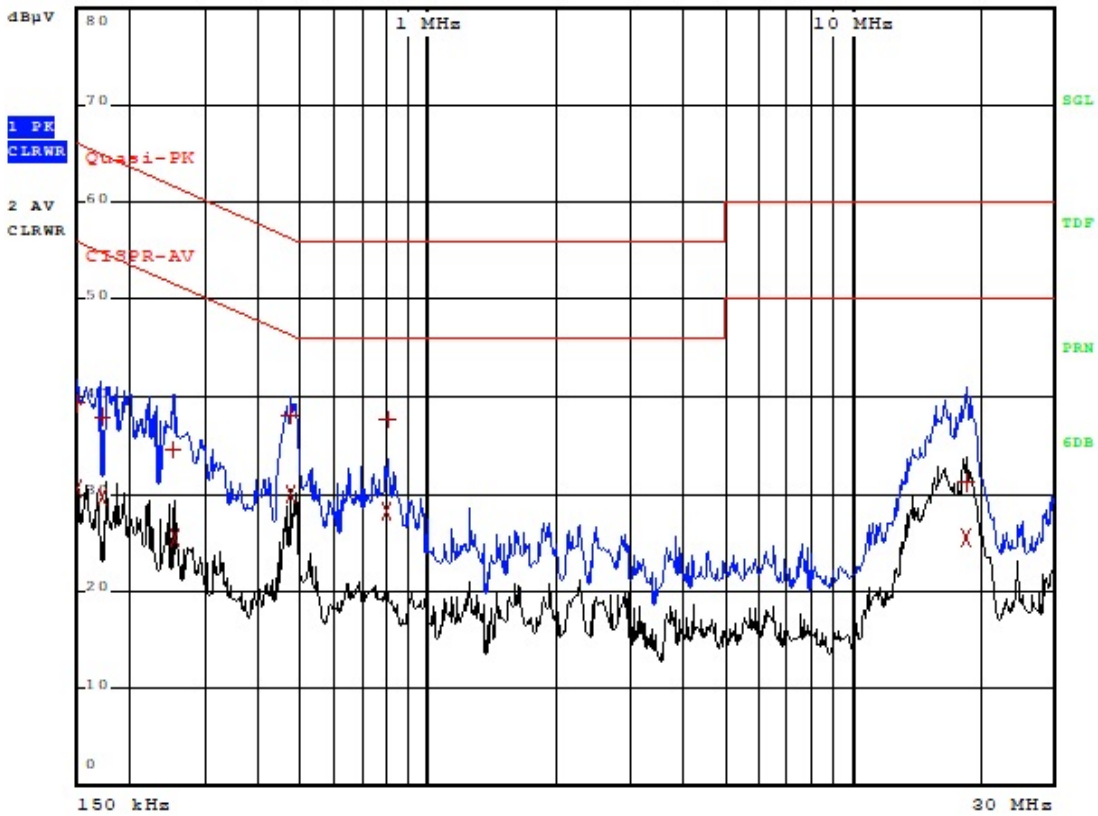
\*HOT LINE



RBW 9 kHz

MT 1 s

Att 10 dB AUTO PREAMP OFF



Comment: ESTR-21-00249

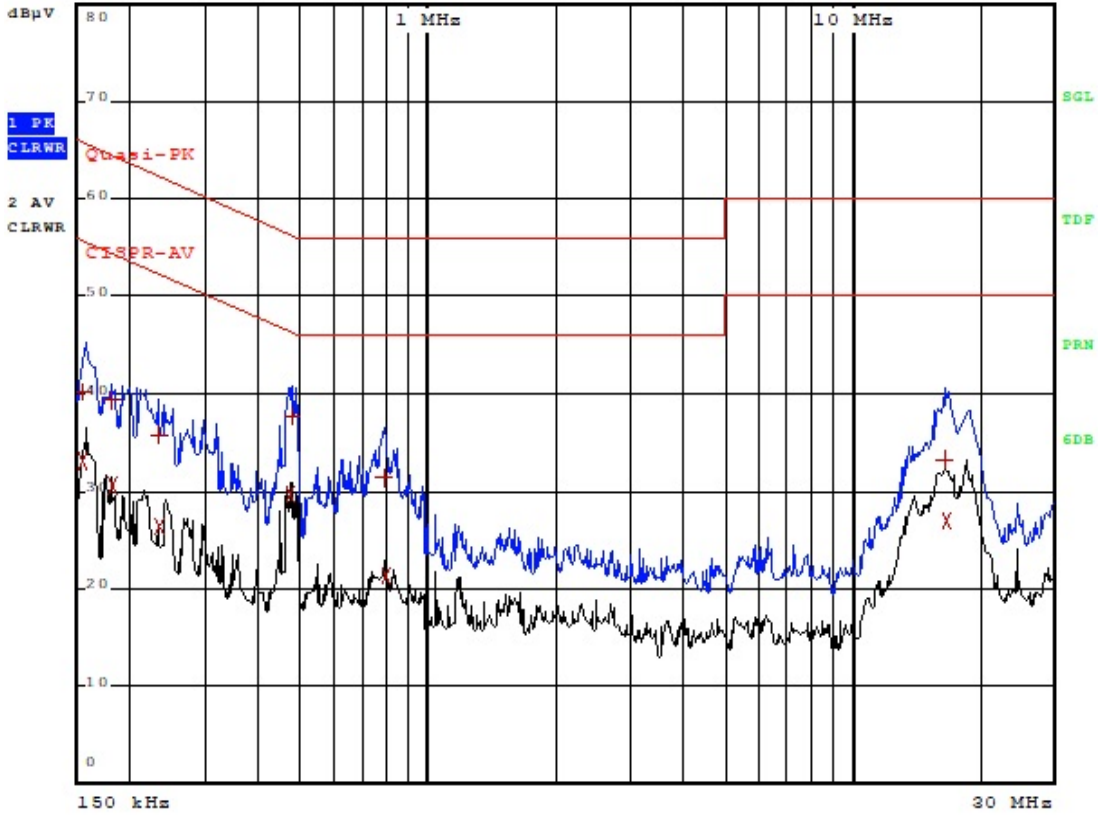
\*NEUTRAL LINE



RBW 9 kHz

MT 1 s

Att 10 dB AUTO PREAMP OFF



Comment: ESTR-21-00249

## Appendix 2. Antenna Requirement

### Regulation

According to §15.203, an intentional radiator shall be designed to ensure that no antenna other than that furnished by the responsible party shall be used with the device. The use of a permanently attached antenna or of an antenna that uses a unique coupling to the intentional radiator shall be considered sufficient to comply with the provisions of this Section. The manufacturer may design the unit so that a broken antenna can be replaced by the user, but the use of a standard antenna jack or

elc26-Aug-21 ~ 05-Sep-21

2021-09-06

### Result

-Complied

The transmitter has an integral Coil antenna.

- The XS2-ODPB model does not have a IC in the XS2-OAPB model.