

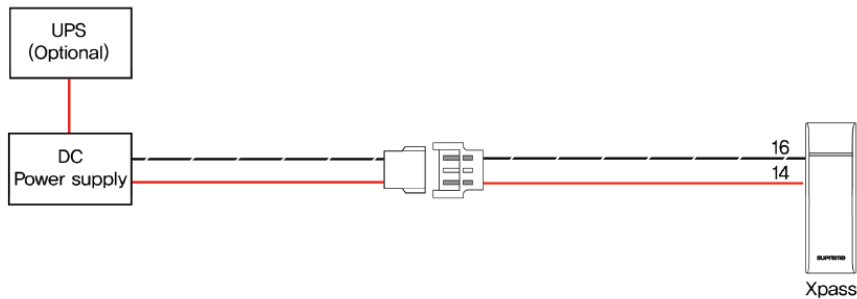
Suprema Inc.

FCC ID : **TKWXPM**

-Operational description-

Power Connection 1

Pin	Pin Name	Color
14	POWER IN+	Red
16	POWER IN-	Black (white string)



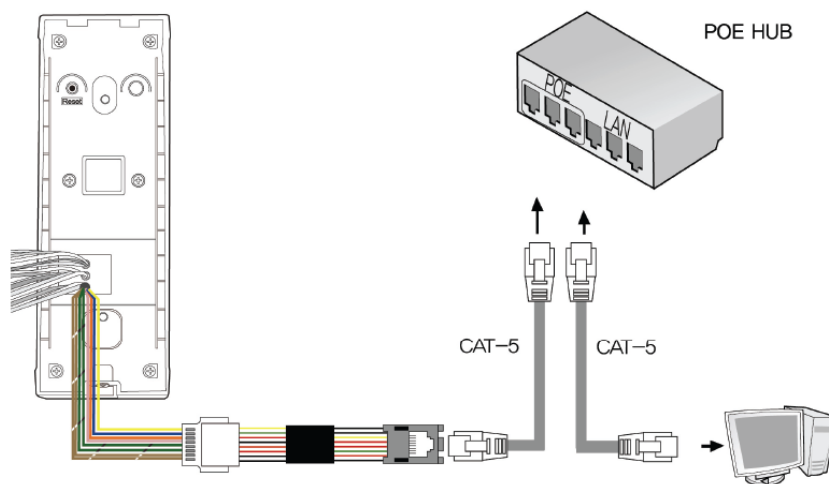
Recommended power supply

12V \pm 10%, at least 500mA.

Comply with standard IEC/EN 60950-1.

To share the power with other devices, use a power supply with higher current ratings.

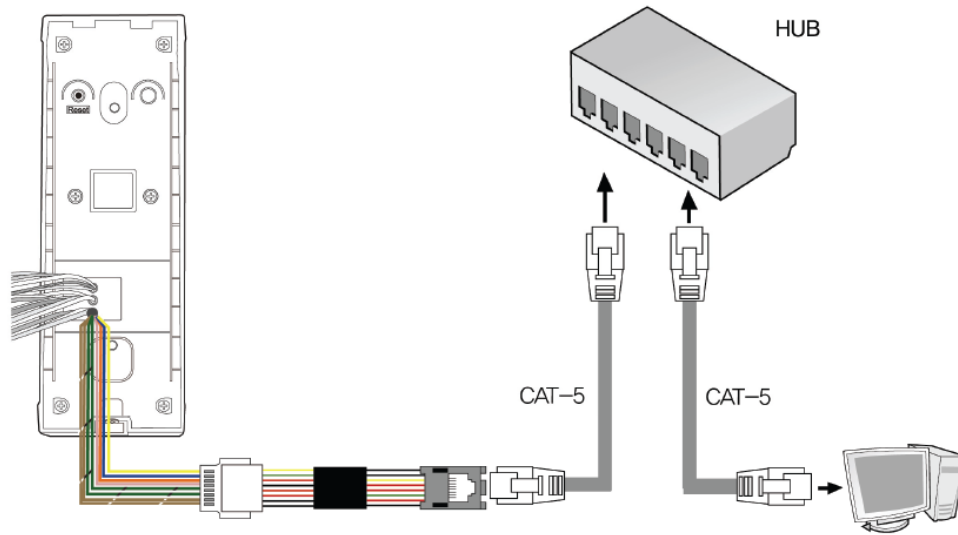
Power Connection 2



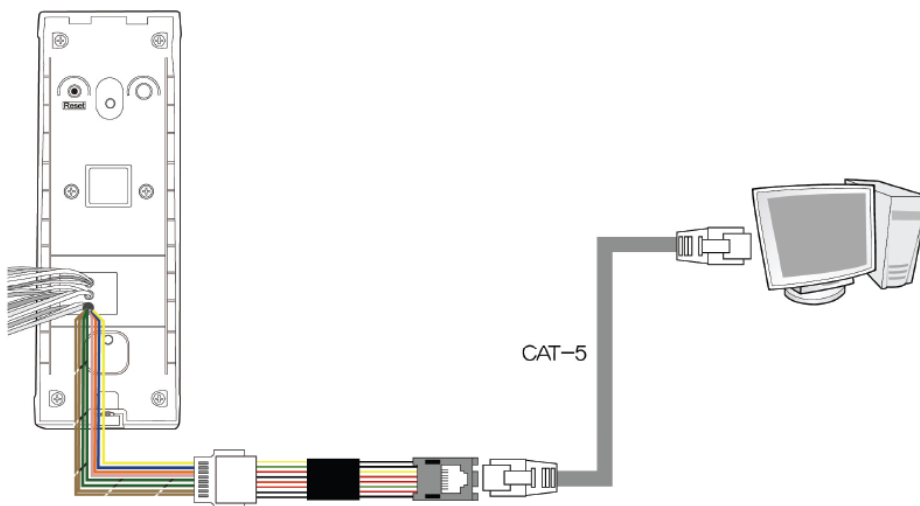
Recommended power supply

Please use the distance of LAN cable within 100m in case of POE power.

LAN Connection

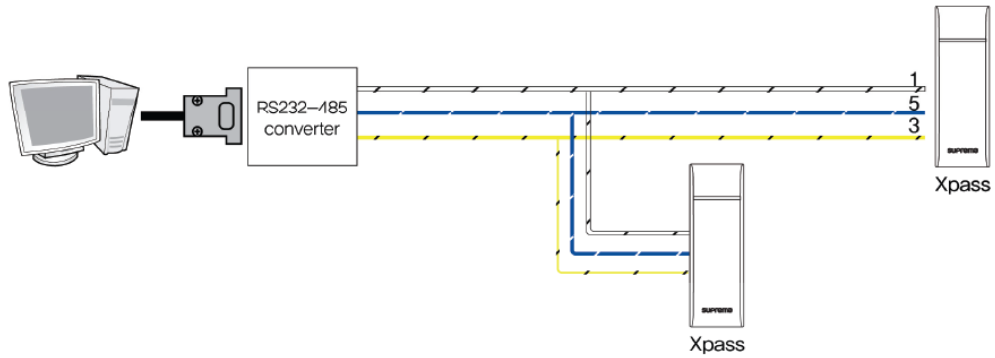


LAN Connection (Direct connection with PC)



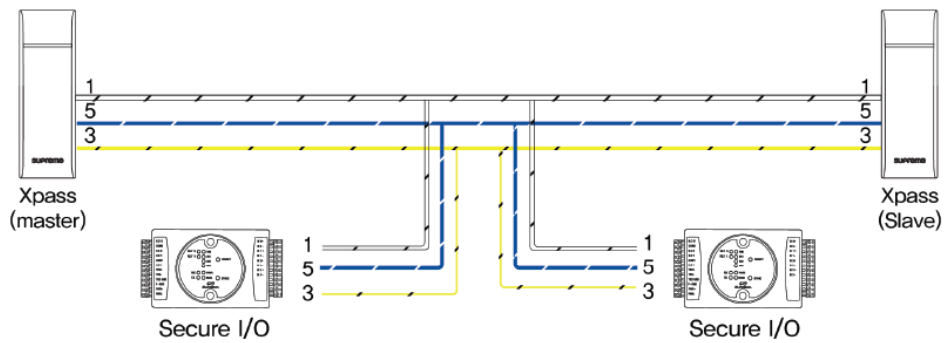
RS485 Connection for Host Communication

Pin	Pin Name	Color
1	485 GND	White (black string)
3	485 -	Yellow (black string)
5	485 +	Blue (white string)



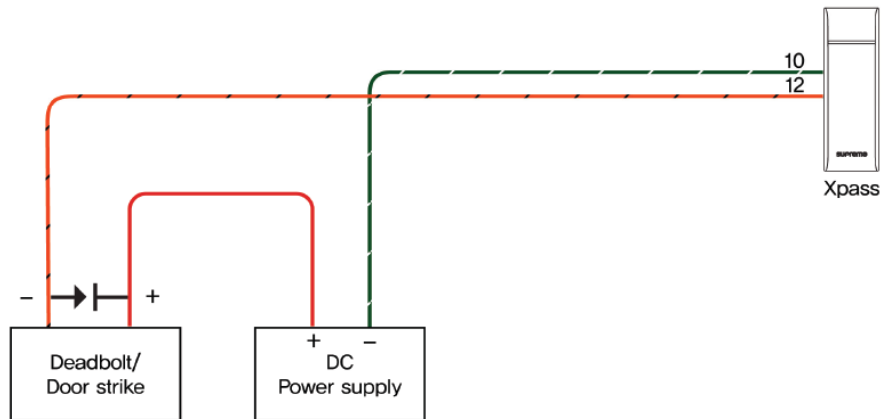
RS485 Connection for Secure I/O

Pin	Pin Name	Color
1	485 GND	White (black string)
3	485 -	Yellow (black string)
5	485 +	Blue (white string)



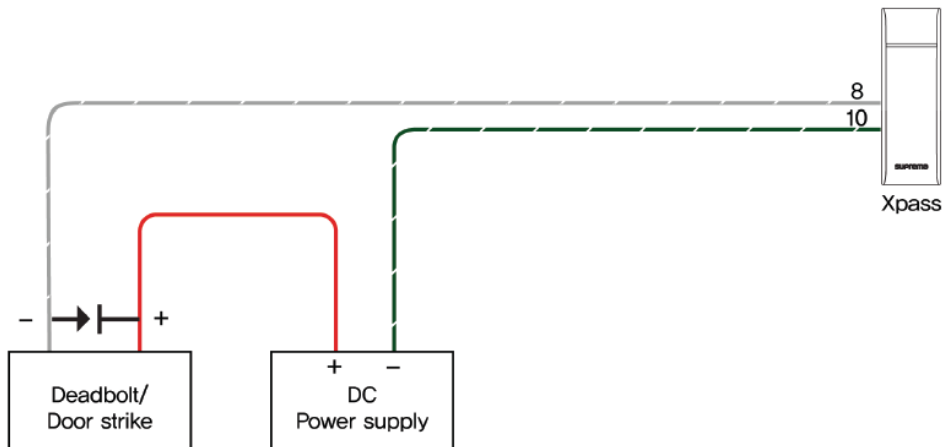
Relay Connection – Fail safe lock

Pin	Pin Name	Color
10	RLY COM	Green (white string)
12	RLY NC	Orange (black string)



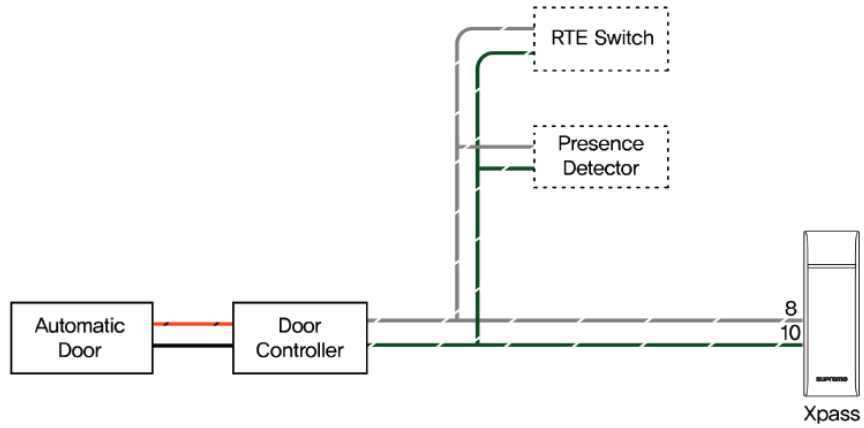
Relay Connection – Fail secure lock

Pin	Pin Name	Color
8	RLY NO	Gray (white string)
10	RLY COM	Green (white string)



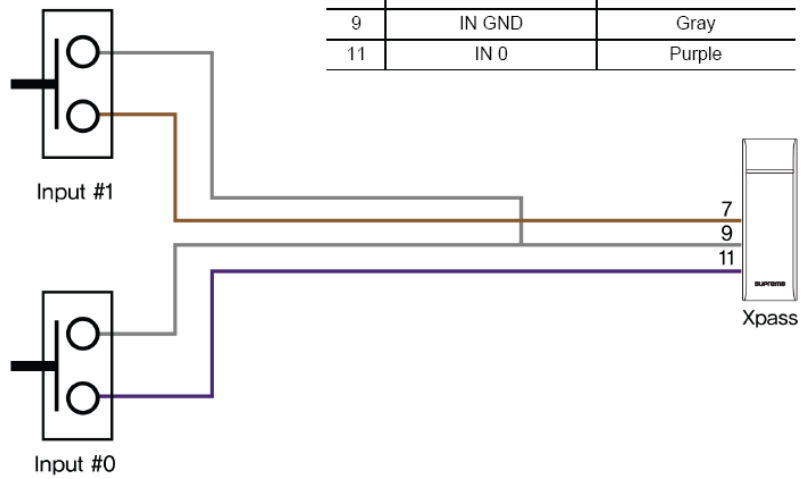
Relay Connection - Automatic door

Pin	Pin Name	Color
8	RLY NO	Gray (white string)
10	RLY COM	Green (white string)



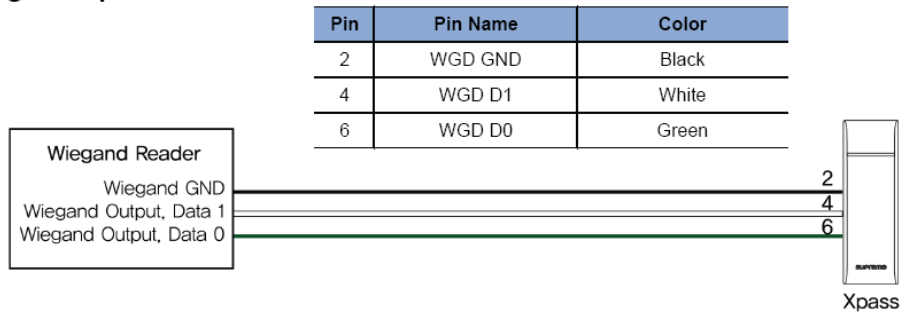
Digital Input Connection (Alarm, Emergency S/W)

Pin	Pin Name	Color
7	IN 1	Brown
9	IN GND	Gray
11	IN 0	Purple

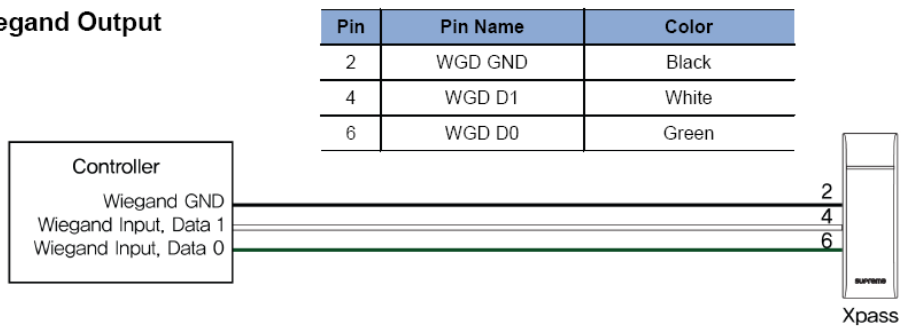


Wiegand Input/Output

Wiegand Input



Wiegand Output



Output

