

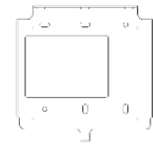
Suprema Inc.

FCC ID : TKWFSM

-Operational description-

Product Contents

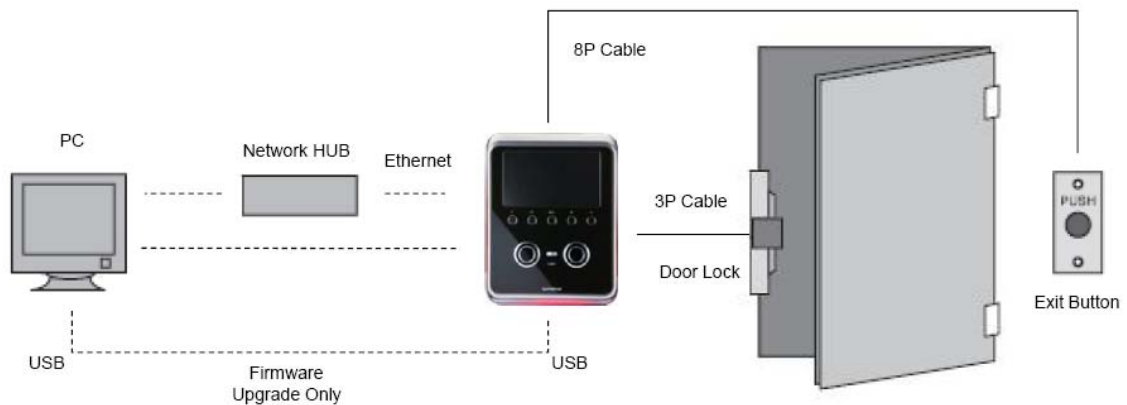
Basic Contents



Optional accessories



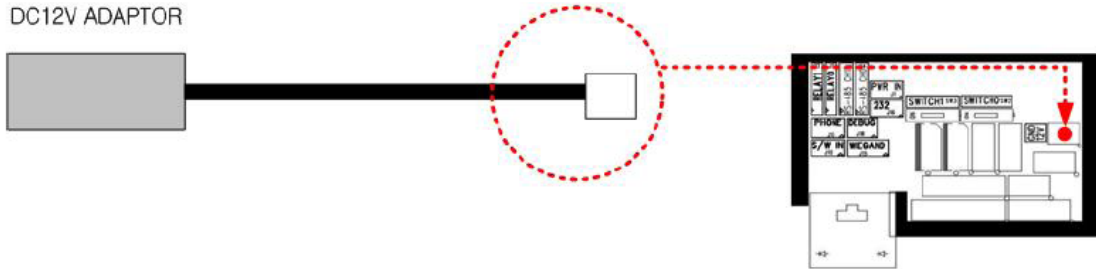
Installation Example



Power Connection

■ Power Connection

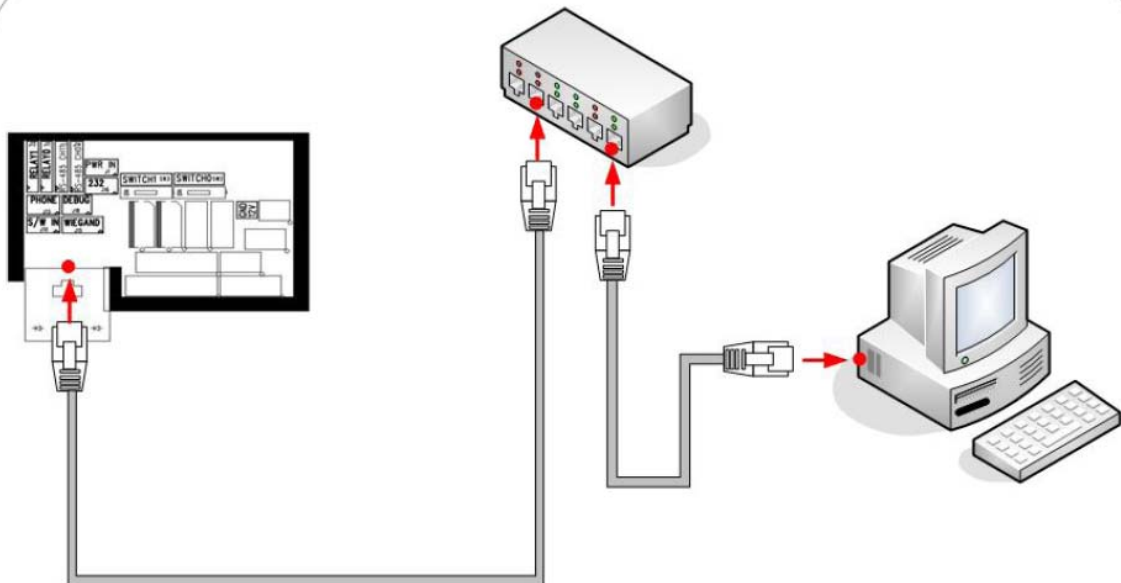
DC12V ADAPTOR



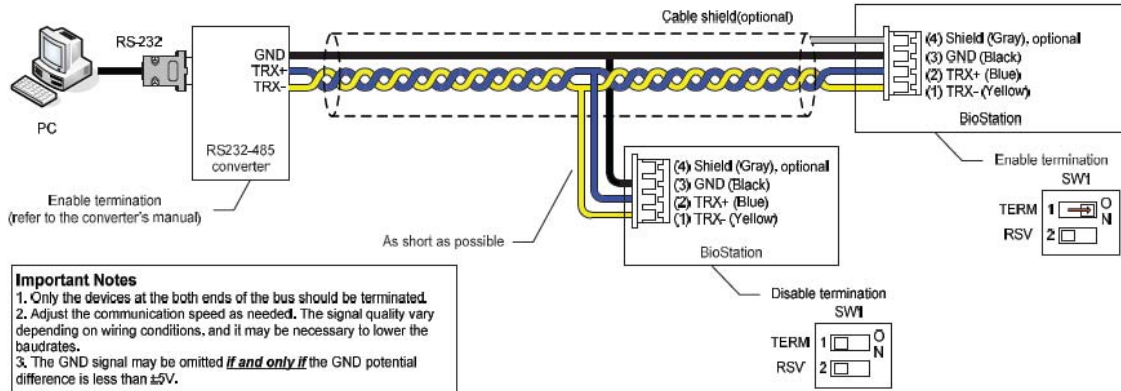
■ Recommended

- 12V \pm 10%, at least 1500mA for BioStation T2 alone installation.
- Comply with standard IEC/EN 60950-1

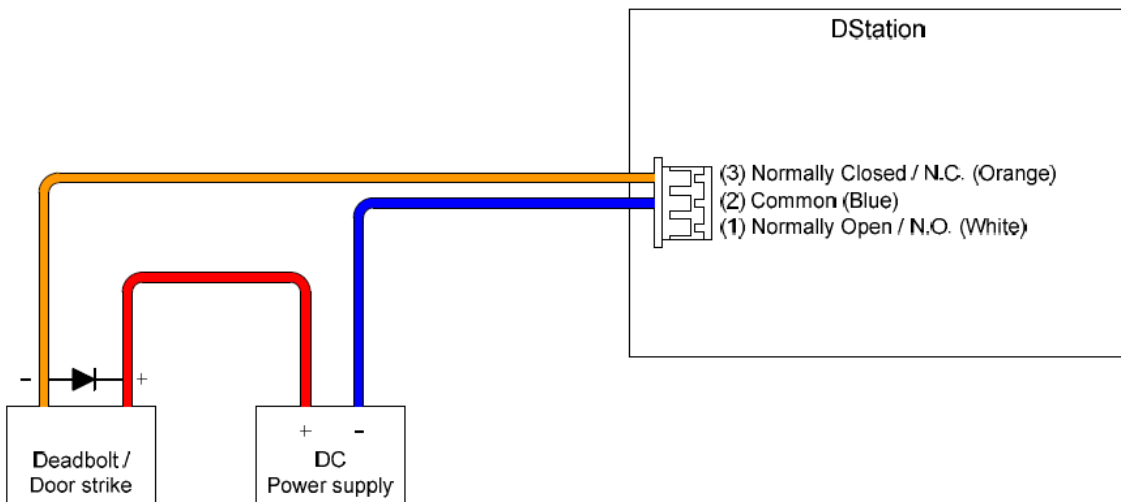
LAN Connection



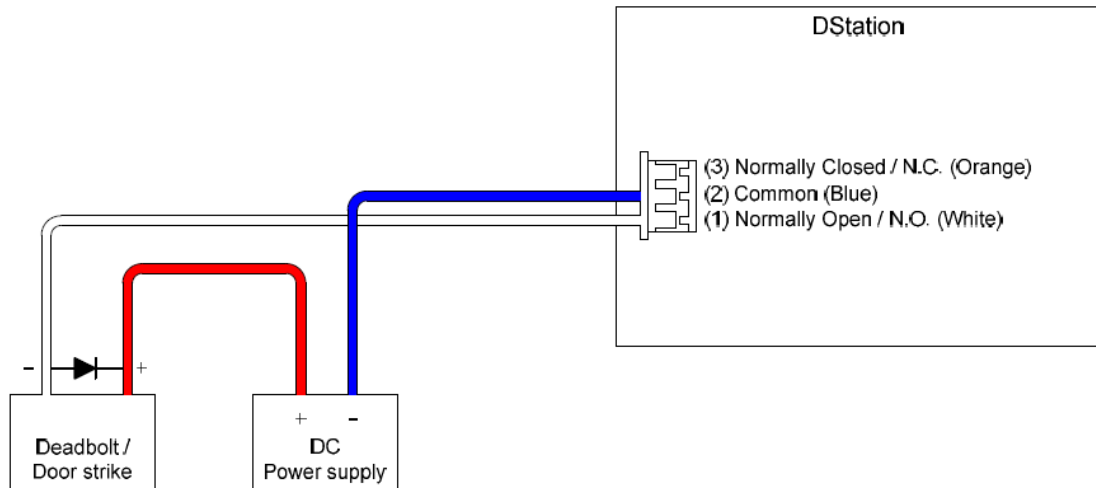
RS485 Network Connection



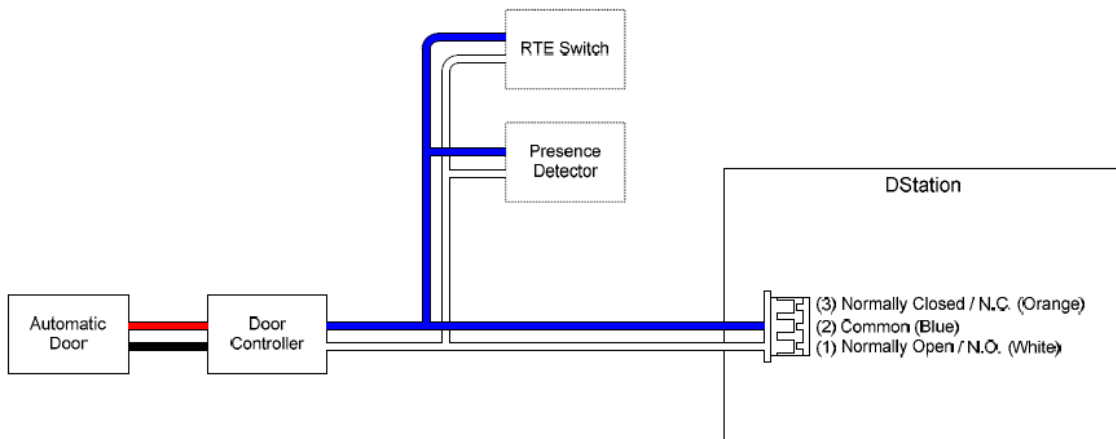
Relay Connection – Fail Safe Lock



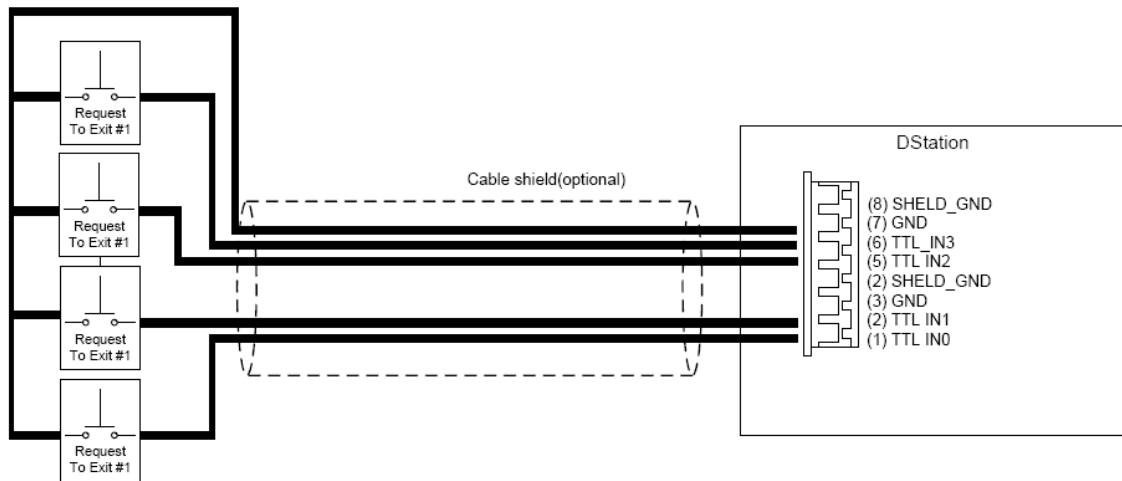
Relay Connection – Fail Secure Lock



Relay Connection - Automatic Door



TTL Input Port Connection – RTE Switches



Wiegand Input Connection – External reader

