

# Suprema Inc.

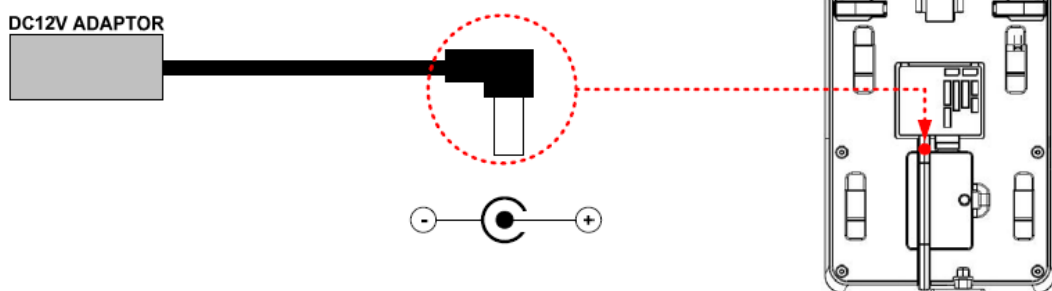
FCC ID : **TKWDSMOC**

-Operational description-

## Power Connection

- **Power connection**

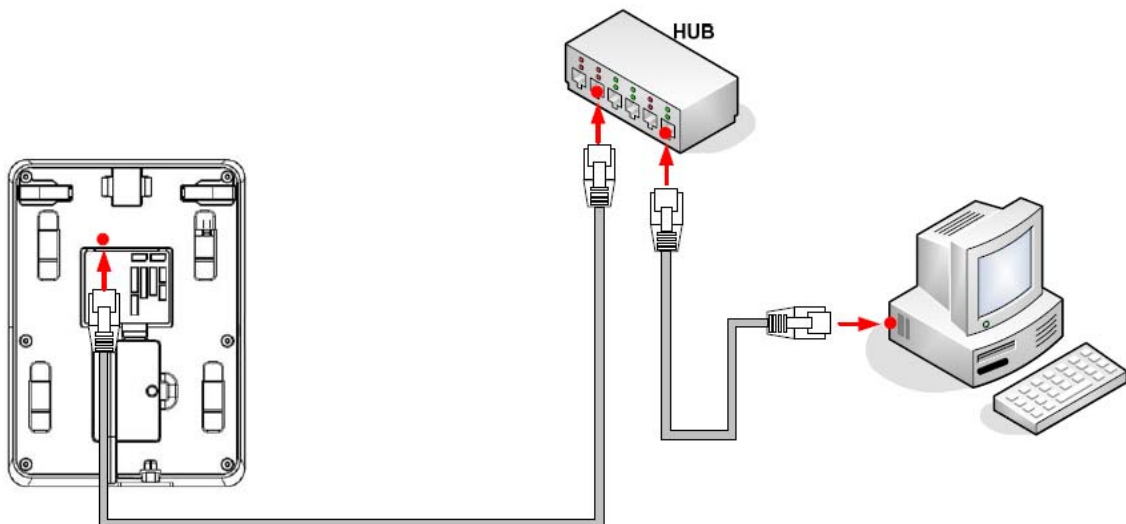
DC12V ADAPTOR



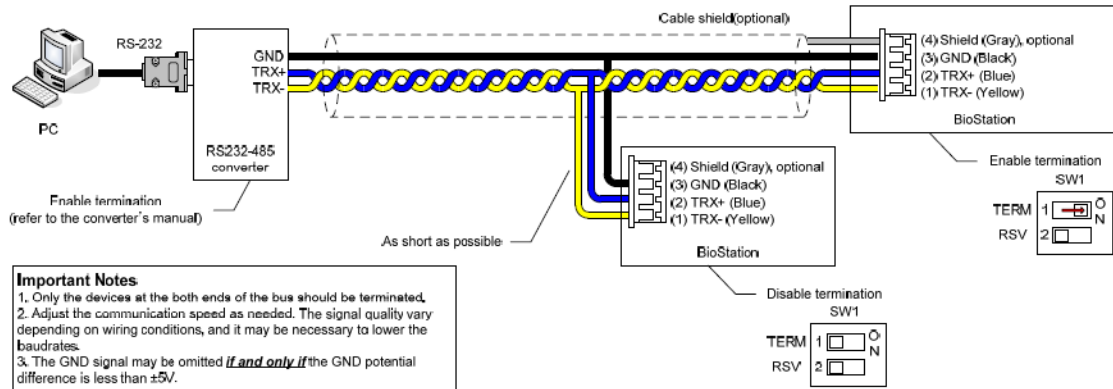
- **Recommended power supply**

- 12V  $\pm$  10%, at least 1500mA for BioStation alone installation.
- Comply with standard IEC/EN 60950-1
- To share the power with other devices, use a power supply with higher current ratings.

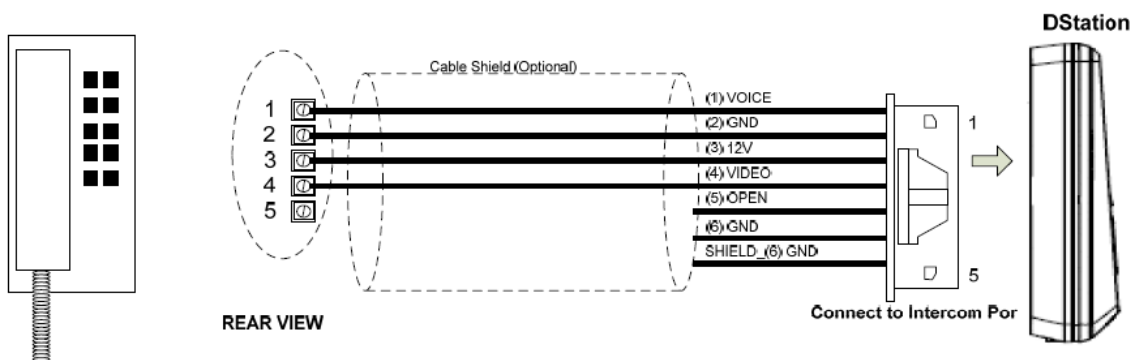
## LAN Connection



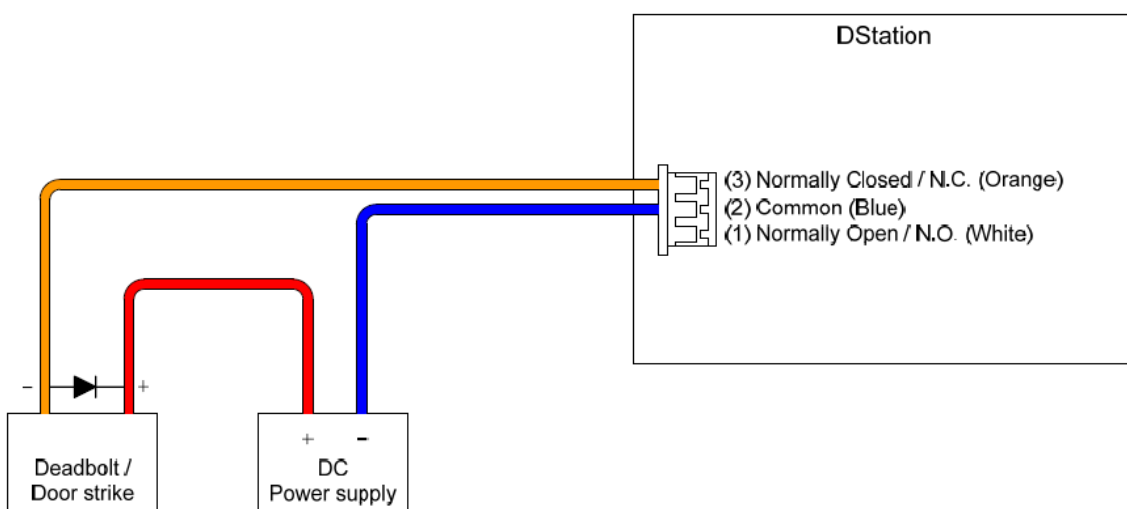
## RS485 Network Connection



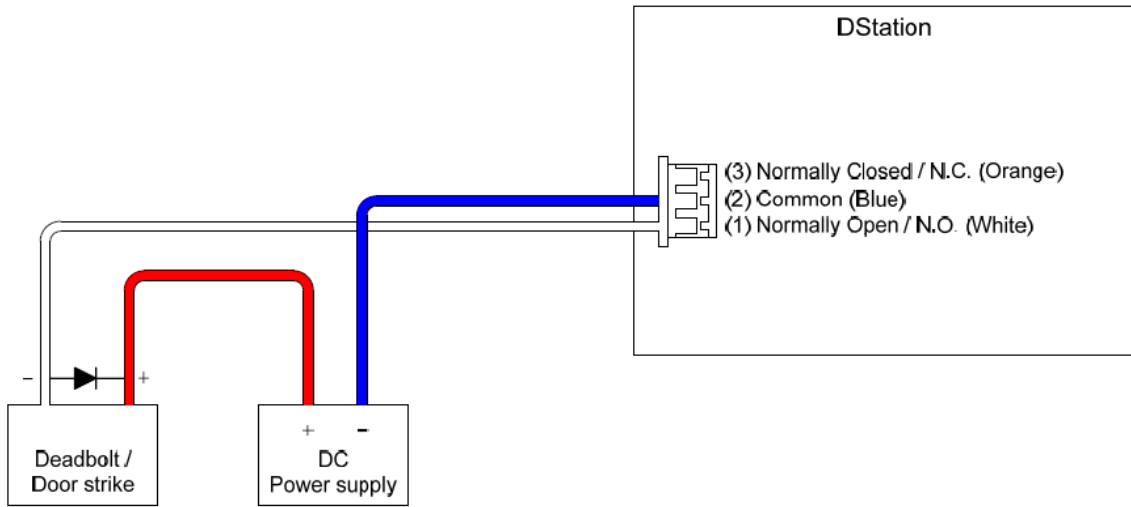
## Intercom Connection



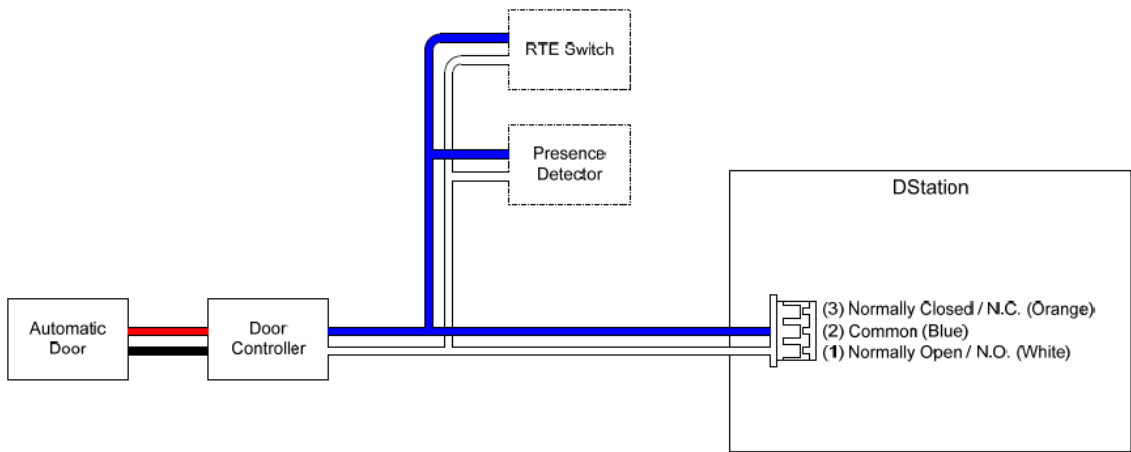
## Relay Connection-Fail Safe Lock



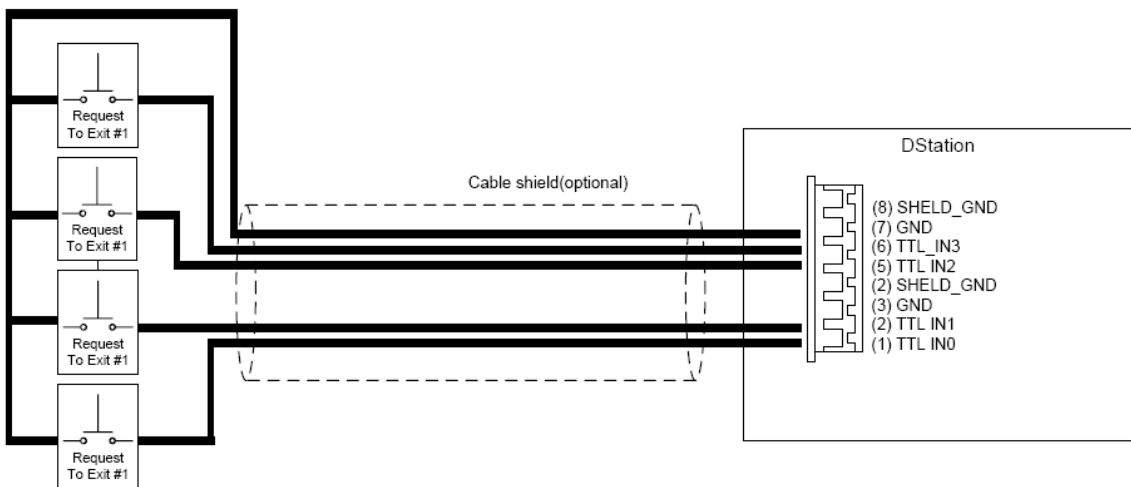
## Relay Connection-Fail Secure Lock



### Relay Connection-Automatic Door



### TTL Input Port Connection-RTE Switches



## Wiegand Input Connection-External reader

