

# Spec Sheet

Model name: BLN2

Product: BioLite N2 BLE Antenna

page2 ----- ELECTRICAL SPECIFICATIONS

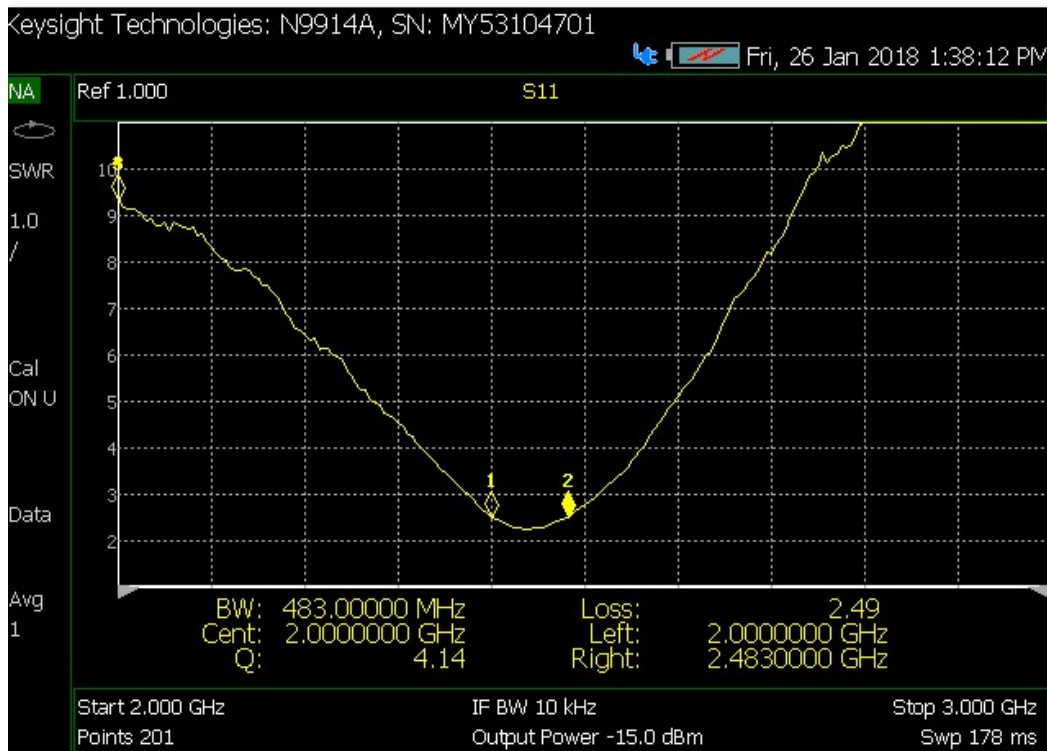
page3----- ANTENNA RADIATION PATTERN

page4 ----- MECHANICAL SPECIFICATIONS

Spec

Band	2.4GHz ISM
Frequency	2.4~2.483GHz
VSWR	≤2.5
Peak Gain	-8~-10dBi
Avg Gain	-15dBi
Directivity	Directional
Polarization	Linear
Impedance	50 Ohms
TYPE	PCB(FR4) type PIFA

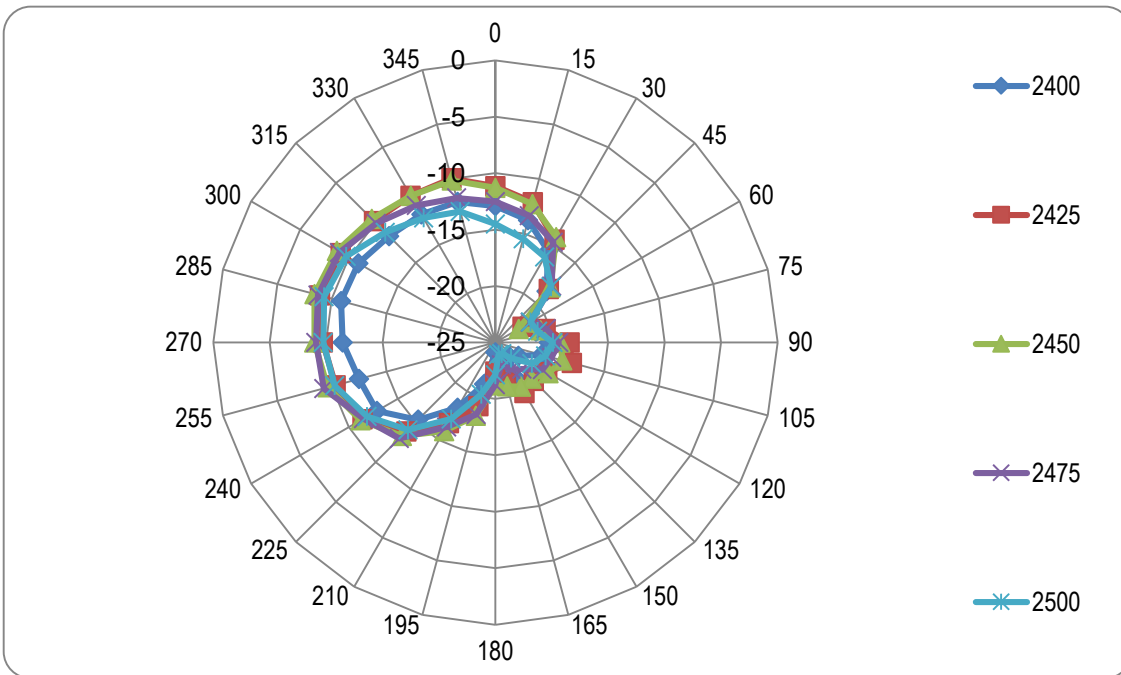
VSWR



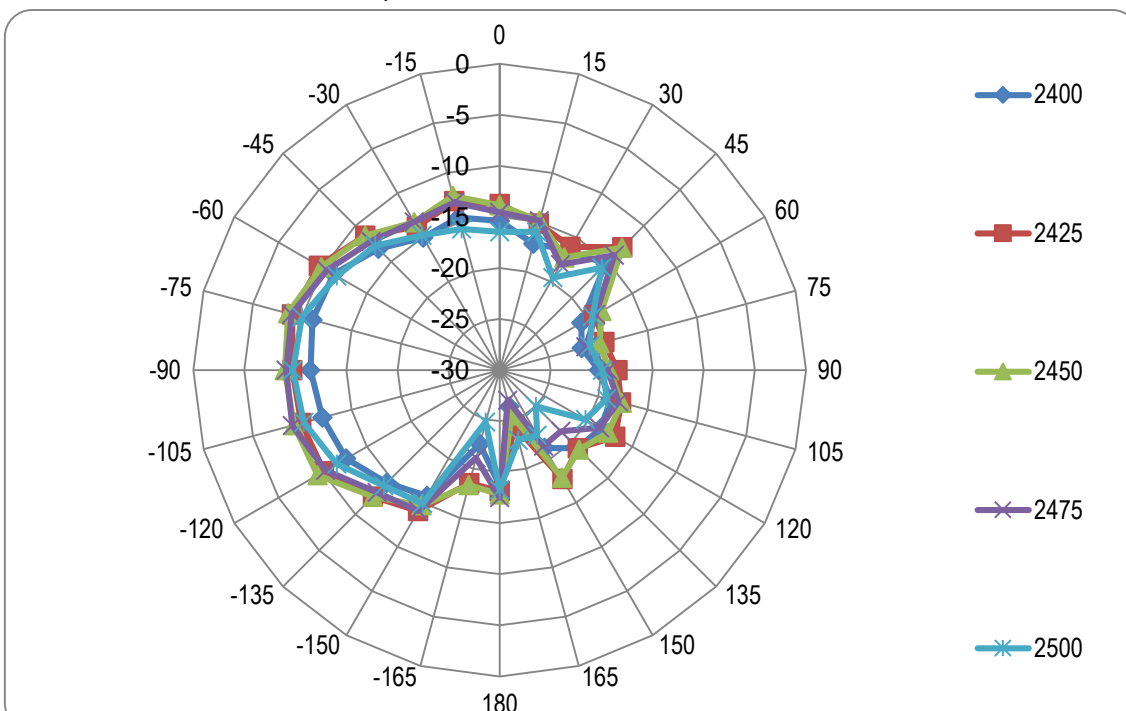
Radiation

No	Frequency	Peak Value		Minimum Value		Avg. Gain	Efficiency
	[MHz]	Value[dBi]	Degree	Value[dBi]	Degree	[dBi]	[%]
1	2400.000	-10.617082	75 / 255	-28.975901	120 / 45	-15.474263	<b>2.835135</b>
2	2425.000	-8.676603	60 / 225	-25.941146	105 / 60	-13.586561	<b>4.378687</b>
3	2450.000	-8.391975	90 / 285	-28.035397	135 / 30	-13.418675	<b>4.551269</b>
4	2475.000	-8.723341	90 / 285	-26.918044	165 / 90	-14.068225	<b>3.919020</b>
5	2500.000	-9.283318	90 / 285	-28.549968	30 / 150	-15.156980	<b>3.050015</b>

Pattern

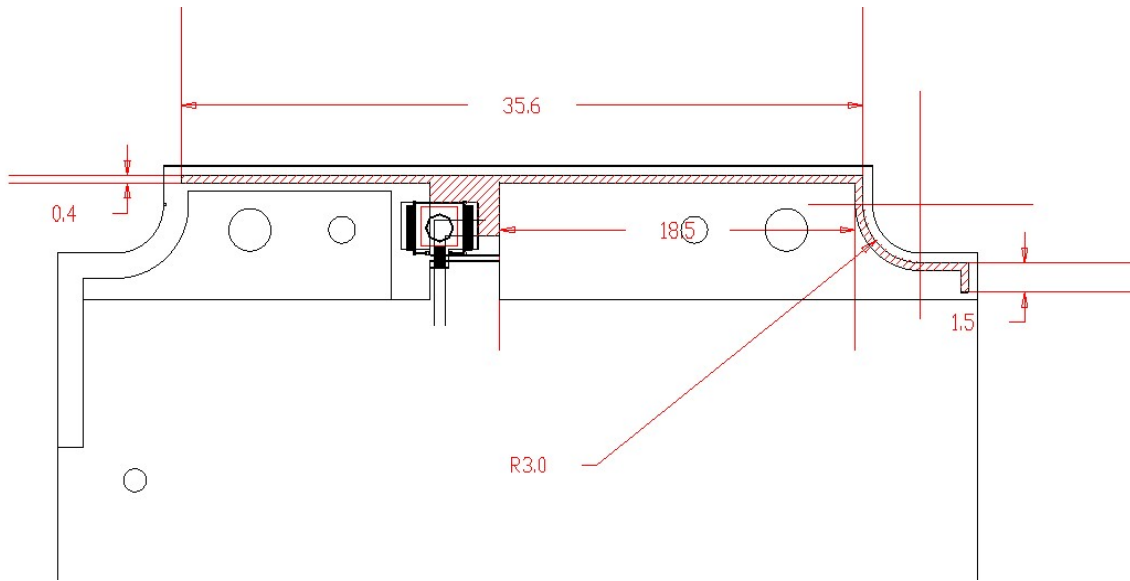


▲ Side View(left), ▼ Top View front at -90



# BLN2 BLE Antenna

Drawing



Pictures