



Test Report for FCC

FCC ID :TKWBLN2-OA

Report Number		ESTRFC2203-002		
Applicant	Company name	Suprema Inc		
	Address	17F-5, Parkview Office Tower, 248, Jeongjail-ro, Bundang-gu, Seongnam-si, Gyeonggi-do, South Korea		
	Telephone	+82-31-710-5633		
Product	Product name	BioLite N2		
	Model No.	BLN2-OA	Manufacturer	Suprema Inc
	Serial No.	NONE	Country of origin	KOREA
Test date	02-Mar-22 ~ 08-Mar-22		Date of issue	14-Mar-22
Testing location	140-16, Eongmali-ro, Majang-myeon, Icheon-si, Gyeonggi-do, Rep. of Korea			
Standard	FCC PART 15 Subpart C(15.225), ANSI C 63.10(2013)			
Result		Complied		
Measurement facility registration number		659627		
Tested by	Engineer H.G. Lee		(Signature)	
Reviewed by	Engineering Manager I.k. Hong		(Signature)	
Abbreviation	OK, Pass = Complied, Fail = Failed, N/A = not applicable			
<p>* Note</p> <ul style="list-style-type: none"> <li>- This test report is not permitted to copy partly without our permission</li> <li>- This test result is dependent on only equipment to be used</li> <li>- This test report is not related to KOLAS accreditation</li> <li>-The support card is different for each model. But, the software supports several different cards.</li> <li>- Additional models name:BLN2-OD</li> <li>-Basic and additional Model(s) are same products, only model name are different</li> </ul>				



## Contents

1. Laboratory Information .....	3
2. Description of EUT .....	4
3. Test Standards .....	6
4. Measurement condition .....	7
5. 20dBm Bandwidth .....	9
5.1 Procedure .....	9
5.2 20dBm Bandwidth Set up .....	9
5.3 Measurement Data .....	9
6. Frequency Tolerance .....	10
6.1 Procedure .....	10
6.2 Equipments lists .....	10
6.3 Frequency stability Data .....	11
7. Measurement of radiated emission .....	12
7.1 Radiated emission limits, general requirements .....	12
7.2 Measurement equipment .....	12
7.3 Environmental conditions .....	12
7.4 Test data(9 kHz ~30 MHz) .....	13
7.5 Test data(30 MHz ~ 1 GHz) .....	14
7.6 Test data(Above 1 GHz) .....	15
8. Measurement of conducted emission .....	16
8.1 Measurement equipment .....	16
8.2 Environmental conditions .....	16
8.3 Test data .....	17
Appendix 1. Measurement Data Plot	
Appendix 2. Special diagram(Adapter Mode)	
Appendix 3. Antenna Requirement	



## 1. Laboratory Information

### 1.1 General

This EUT (Equipment Under Test) has been shown to be capable of compliance with the applicable technical standards and is tested in accordance with the measurement procedures as indicated in this report. ESTECH Lab attests to accuracy of test data. All measurement reported herein were performed by ESTECH Co., Ltd.

ESTECH Lab assume full responsibility for the completeness of these measurements and vouch for the qualifications of all persons taking them.

### 1.2 Test Lab.

Corporation Name : ESTECH Co., Ltd.

Head Office : Suite 1015 World Meridian II, 123 Gasan Digital 2-ro, Geumcheon-gu,  
Seoul 153-759, R. O. Korea

EMC/Telecom/Safety Test Lab : 140-16, Eongmalli-ro, Majang-myeon, Icheon-si, Gyeonggi-do,  
Rep. of Korea

### 1.3 Official Qualification(s)

MSIP : Granted Accreditation from Ministry of Information & Communication for EMC, Safety and Telecommunication

KOLAS : Accredited Lab By Korea Laboratory Accreditation Schema base on CENELEC requirements

FCC : Conformity Assessment Body(CAB) with registration number 659627 under APEC TEL MRA between the RRA and the FCC

VCCI : Granted Accreditation from Voluntary Control Council for Interference from ITE



## 2. Description of EUT

### 2.1 Summary of Equipment Under Test

Product : BioLite N2  
 Model Number : BLN2-OA  
 Serial Number : NONE  
 Manufacturer : Suprema Inc  
 Country of origin : KOREA  
 Operating Frequency : 13.56 MHz  
 Antenna Type : PCB Patten Antenna  
 Modulation Type : ASK  
 Channel : 1 ch

Power Rating INPUT: AC(100 – 240) V, (50-60)Hz, 1A  
 OUTPUT: DC 12 V, 0.8 A

Receipt Date : 11-Feb-22

X-tal list(s) or Frequencies generated : The highest operating frequency is 13.56 MHz

### 2.2 General descriptions of EUT

Category	Name	Description
Credential	LCD screen	Provides UI for operation.
	Function button	Used for T & A key or changing a letter.
	Keypad	<ul style="list-style-type: none"> <li>• 0 ~ 9: Used for entering a number or letter.</li> <li>• 2 &lt;4, 6,&gt; 8 : Used for moving to the desired item.</li> </ul>
	OK button	Used for selecting and setting T&A Mode. If a job code is set, you can change the job code of the user by pressing this button long.
	ESC button	Used for opening the menu, moving to the previous screen or canceling input.
	Fingerprint authentication unit	Part to scan the fingerprint for entrance.
	RF card authentication unit	Part to scan the card for entrance.
	Speaker	Delivers sound.



Category	Name	Description
Credential	Cable	<ul style="list-style-type: none"><li>• Power cable</li><li>• RS485 cable</li><li>• Ethernet connector</li><li>• Relay output cable</li><li>• Wiegand input or output cable</li><li>• TTL input cable</li></ul>

\* RF read range will vary depending on the installation environment.

### 3. Test Standards

#### Test Standard : FCC PART 15 Subpart C(15.225)

This Standard sets out the regulations under which an intentional, unintentional, or incidental radiator may be operated without an individual license. It also contains the technical specifications, administrative requirements and other conditions relating to the marketing of Part 15 devices.

#### Test Method : ANSI C 63.10 (2013)

This standard sets forth uniform methods of measurement of radio-frequency (RF) signals and noise emitted from both unintentional and intentional emitters of RF energy in the frequency range 9 kHz to 40 GHz. Methods for the measurement of radiated and AC power-line conducted radio noise are covered and may be applied to any such equipment unless otherwise specified by individual equipment requirements. These methods cover measurement of certain devices that deliberately radiate energy, such as intentional emitters, but does not cover licensed transmitters. This standard is not intended for certification/approval of avionic equipment or for industrial, scientific, and medical (ISM) equipment. These methods apply to the measurement of individual units or systems comprised of multiple units.

#### Summary of Test Results

Applied Standard : 47 CFR Part 15, Subpart C				
Standard	Test Type	Result	Remark	Limit
15.203	Antenna Requirement	Pass	Meet the requirement	
15.207	AC Power Conducted Emission	Pass	Meet the requirement	
15.225(a)	Radiated Emission (13.553 ~13.567) MHz	Pass	Meet the requirement	15,848 uV/m at 30 m
15.225(b)	Radiated Emission (13.410 ~13.553 , 13.567 ~ 13.710) MHz	N/A	-	334 uV/m at 30 m
15.225(c)	Radiated Emission (13.110 ~13.410 , 13.710 ~ 14.010) MHz	N/A	-	106 uV/m at 30 m
15.225(d)	Apply section 15.209 (out side band of the 13.110 ~14.010) MHz	Pass	Meet the requirement	
15.225(e)	Frequency stability	Pass	Meet the requirement	
15.215(c)	20dB Bandwidth	Pass	Meet the requirement	

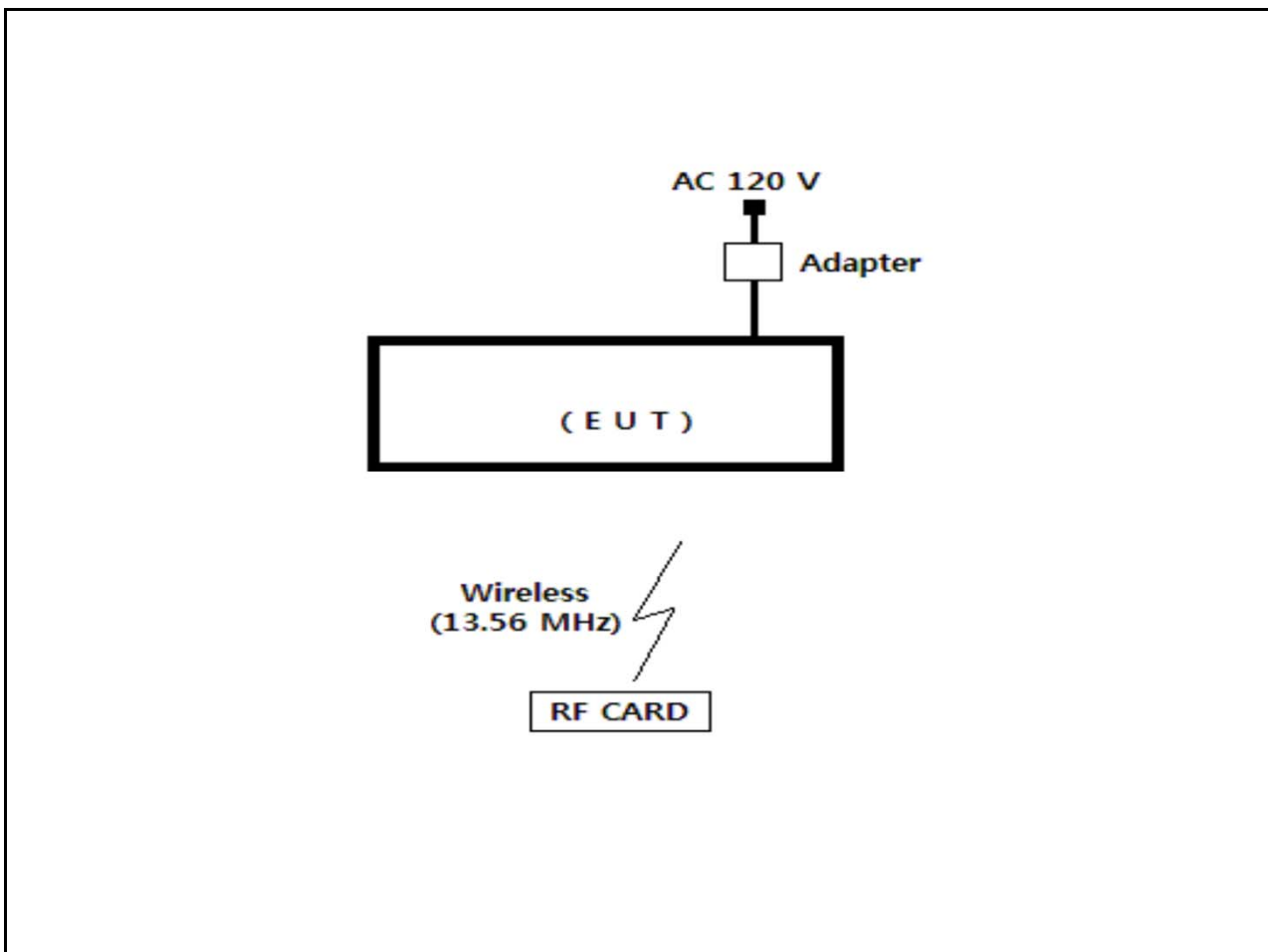
## 4. Measurement Condition

### 4.1 EUT Operation.

-The EUT was tested, under transmission / receiving

1. Normal communication with RF OUT Frequency(13.56 MHz).
2. Monitoring the operation status of frequency by using RF CARD.

### 4.2 Configuration and Peripherals





### 4.3 EUT and Support equipment

Equipment Name	Model Name	S/N	Manufacturer	Remark (FCC ID)
BLN2-OA	NONE	NONE	KOREA	EUT
Adapter	DZ036DL120250F	NONE	KOORDA	

### 4.4 Cable Connecting

Start Equipment		End Equipment		Cable Standard		Remark
Name	I/O port	Name	I/O port	Length	Shielded	
BLN2-OA	Power	Adapter	-	2.0	Unshielded	
BLN2-OA	Wireless (13.56 MHz)	RF CARD	Wireless (13.56 MHz)	-	-	



## 5. 20 dB Bandwidth

### 5.1 Procedure

The transmitter output was connected to the spectrum analyzer. The bandwidth of the fundamental frequency was measured by spectrum analyzer. The 20 dB bandwidth is defined as the bandwidth at 20 dB below from peak power point.

### 5.2 20dB Bandwidth setup

The spectrum analyzer is set to as following

RBW: 30 Hz

VBW: 300 Hz

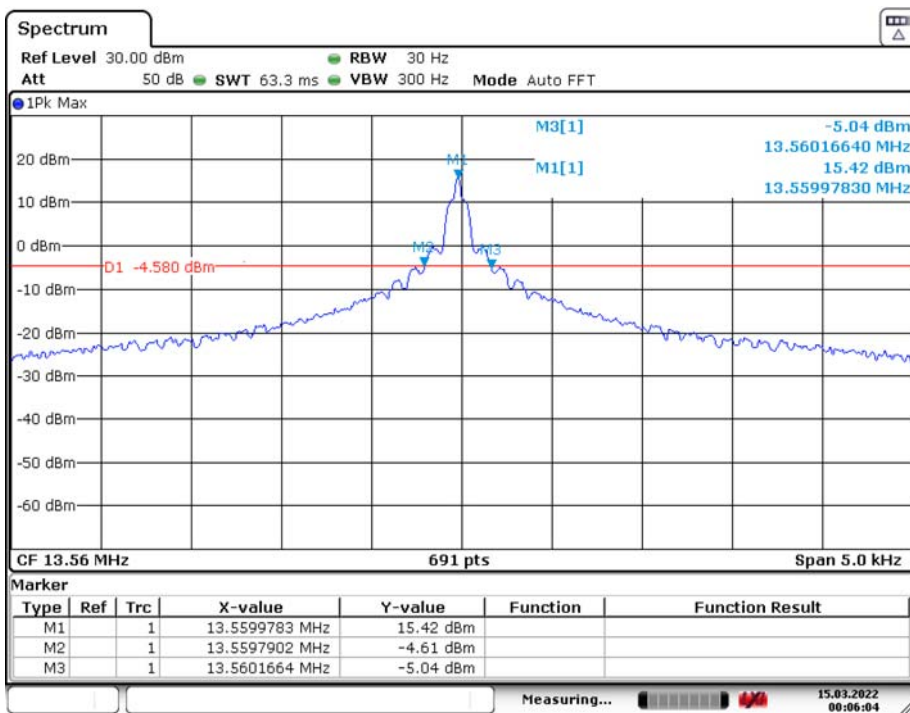
Span: 5 kHz

Sweep:suitable duration based on the EUT specification

#### 20dB Bandwidth Test Instruments

Decription	Model	Serial Number	Cal. Due Data
Signal Analyzer	FSV40	100939	28-Nov-22

### 5.3 Measurement Data



00042

## 6. Frequency Tolerance

### 6.1 Procedure

The frequency stability of the transmitter is measured by:

- a) Temperature: The temperature is varied from  $-20\text{ }^{\circ}\text{C}$  to  $+50\text{ }^{\circ}\text{C}$  using an environmental chamber.
- b) Primary Supply Voltage: The primary supply voltage is varied from 85 % to 115 % of the voltage normally at the input to the device or at the power supply terminals if cables are not normally supplied.

The frequency tolerance of the carrier shall be maintained within  $\pm 0.01\%$  of the operating frequency.

### 6.2 Equipment lists

The following test equipments are used during test

Decription	Model	Serial Number	Cal. Due Data
Signal Analyzer	FSV40	100939	28-Nov-22
Temp./Humidity Chamber	SM-150-2	04-TH24	28-Nov-22



### 6.3 Frequency stability Data (Adapter)

Operating Frequency : 13,559,978 Hz  
Reference Voltage : 12.00 Vd.c.  
Deviation Limit : ± 0.01 %

Voltage (%)	Power (Vdc)	Temperature (°C)	Frequency (Hz)	Deviation (%)
100	12.00	+20 °C(Ref)	13,559,962	-0.000118
100		-20	13,560,120	0.001047
100		-10	13,560,062	0.000619
100		0	13,559,923	-0.000406
100		10	13,559,922	-0.000413
100		20	13,559,639	-0.002500
100		30	13,559,887	-0.000671
100		40	13,559,942	-0.000265
100		50	13,559,912	-0.000487
85		10.20	20	13,556,002
115	13.80	20	13,559,929	-0.000361

## 7. Measurement of radiated disturbance

The EUT was placed on the top of a rotating table 0.8 m above the ground at a 10 m semi-anechoic chamber . The table was rotated 360° to determine the position of the highest radiation. Then antenna is a loop antenna is fixed at 1 m above the ground to determine the maximum value of the field strength. Both parallel and perpendicular of the antenna are set to make the measurement. For each suspected emission, the EUT was arranged to its worst case and then the table was turned from 0° to 360° to find the maximum reading. The test receiver system was set to Peak Detect Function and Specified Bandwidth with Maximum Hold Mode.

### 7.1 Radiated emission limits, general requirements

Except as provided elsewhere in this Subpart, the emissions from an intentional radiator shall not exceed the field strength levels specified in the following table:

Frequency (MHz)	Distance(Meters)	Field strength @3m (dBuV/m)
0.009 to 0.490	3	128.5 to 93.8
0.490 to 1.705	3	73.8 to 63
1.705 to 30	3	69.5
30 to 88	3	40
88 to 216	3	43.5
216 to 960	3	46
> 960	3	54

\* dBuV/m=20\*log(uV/m) \* Distance factor=40dB / decade(15.31(f))

### 7.2 Measurement equipments

Equipment Name	Type	Manufacturer	Serial No.	Next Calibration date
TEST Receiver	ESC17	ROHDE & SCHWARZ	100916	19-Jul-22
Logbicon Antenna	VULB 9168	SCHWARZBECK	9168-193	14-Jan-22
Turn Table	DT3000-2t	Innco System GmbH	N/A	-
Antenna Mast	MA4000-EP	Innco System GmbH	N/A	-
Antenna Master & Turn table controller	CO2000-P	Innco System GmbH	CO2000/641 /28051111/L	-
Loop Antenna	HFH2-Z2	ROHDE & SCHWARZ	100188	26-Aug-22

### 7.3 Environmental Condition

Test Place : 10 m Semi-anechoic chamber

#### Below 1 GHz

Temperature (°C) : 23.6 °C

Humidity (% R.H.) : 44.8 % R.H.

Test Place : 3 m Semi-anechoic chamber(3 m)

#### Above 1 GHz-N/A

Temperature (°C) :

Humidity (% R.H.) :



### 7.4 Test data(9 kHz ~ 30 MHz)

Test Date : 2-Mar-22

Measurement Distance : 3 m

Frequency (MHz)	Reading (dB $\mu$ V)	Vertical Position [Angle]	EUT Position	Height (m)	Correction Factor		Result Value(Quasi-Peak)		
					Ant Factor (dB)	Cable (dB)	Limit (dB $\mu$ V/m)	Result (dB $\mu$ V/m)	Margin (dB)
Below 13.110 MHz									
Noise Floor	-	-	-	-	19.48	0.5	69.5	-	-
13.110 MHz to 13.410 MHz									
Noise Floor	-	-	-	-	19.46	0.5	80.5	-	-
13.410 MHz to 13.552 MHz									
Noise Floor	-	-	-	-	19.46	0.5	90.5	-	-
13.553 MHz to 13.567 MHz									
13.5600	53.18	90.0	X	0.8	19.46	0.5	124.0	73.18	50.82
13.567 MHz to 13.710 MHz									
Noise Floor	-	-	-	-	19.45	0.5	90.5	-	-
13.710 MHz to 14.010 MHz									
Noise Floor	-	-	-	-	19.44	0.6	80.5	-	-
14.010 MHz to 30 MHz									
Noise Floor	-	-	-	-	19.44	0.6	69.5	-	-
Remark	<p>*The 30 m limit was converted to 3 m Limit using square factor(x) as it was found by measurements as follows:            *3 m Limit(dBuV/m) = 20log(X)+40log(30/3)= 20log(15848)+40log(30/3) = 124 dBuV            *3 m Limit(dBuV/m) = 20log(X)+40log(30/3)= 20log(30)+40log(30/3) = 69.5 dBuV</p> <p>* The EUT was measured for the worst case by rotating of antenna angle.            * The EUT performed at X,Y,Z and recorded the worst data in the report.</p>								

## 7.5 Test data(30 MHz ~ 1 000 MHz)

Test Date : 3-Mar-22

Measurement Distance : 3 m

Frequency (MHz)	Reading (dB $\mu$ V)	Position (V/H)	Height (m)	Correction Factor		Result Value(Quasi-peak)		
				Ant Factor (dB)	Cable (dB)	Limit (dB $\mu$ V/m)	Result (dB $\mu$ V/m)	Margin (dB)
264.00	28.46	H	1.4	11.99	2.57	46.00	43.02	2.98
408.00	19.11	V	1.2	15.56	3.24	46.00	37.91	8.09
480.00	17.21	V	1.3	17.50	3.51	46.00	38.22	7.78
528.00	16.69	V	1.3	18.08	3.69	46.00	38.46	7.54
615.00	18.11	V	1.4	20.00	4.01	46.00	42.12	3.88
690.00	14.23	H	1.0	20.70	4.27	46.00	39.20	6.80
Remark	<p>H : Horizontal, V : Vertical            *Result Value = Reading + Antenna + Cable loss            *Correction Factor = Ant Factor + Cable            *The resolution bandwidth and video bandwidth of test receiver/spectrum analyzer is 120 kHz for Quasi-peak detection</p>							



## 8. Measurement of conducted disturbance

The continuous disturbance voltage of AC Mains in the frequency from 0.15 MHz to 30 MHz was measured in accordance to FCC Part 15 & ANSI C 63.10 (2013) The test setup was made according to FCC Part 15 & ANSI C 63.10 (2013) in a shielded Room. The EUT was placed on a non-conductive table at least 0.8 m above the ground plan. A grounded vertical reference plane was positioned in a distance of 0.4 m from the EUT. The distance from the EUT to other metal surfaces was at least 0.8 m. The EUT was only earthen by its power cord through the line impedance stabilizing network. The power cord has been bundled to a length of 1.0 m. The test receiver with Quasi Peak detector complies with CISPR 16.

### 8.1 Measurement equipments

Equipment Name	Type	Manufacturer	Serial No.	Next Calibration date
TEST Receiver	ESHS 30	Rohde & Schwarz	828765/002	19-Jul-22
LISN	ESH2-Z5	Rohde & Schwarz	836679/025	19-Jul-22
Pulse Limiter	ESH3-Z2	Rohde & Schwarz	NONE	19-Jul-22

### 8.2 Environmental Condition

Test Place : Shielded Room  
 Temperature (°C) : 23.4 °C  
 Humidity (% R.H.) : 43.8 % R.H.





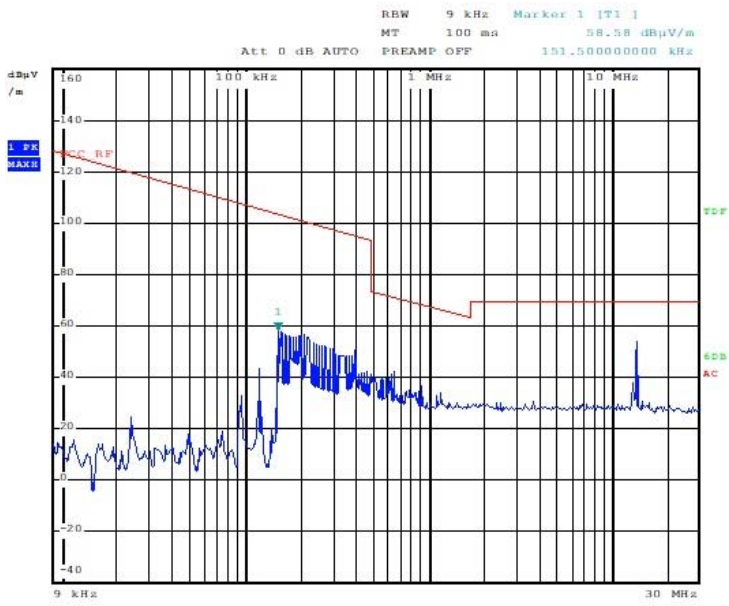
### 8.3 Test data

Test Date : 3-Mar-22

Frequency (MHz)	Correction Factor		Line (H/N)	Quasi-peak Value			Average Value		
	Lisn (dB)	Cable (dB)		Limit (dB $\mu$ V)	Reading (dB $\mu$ V)	Result (dB $\mu$ V)	Limit (dB $\mu$ V)	Reading (dB $\mu$ V)	Result (dB)
0.17	0.04	0.18	N	64.91	34.29	34.51	54.91	24.84	25.06
0.20	0.04	0.17	N	63.45	32.55	32.76	53.45	22.91	23.12
0.47	0.04	0.17	N	56.50	39.11	39.32	46.50	31.62	31.83
2.30	0.06	0.24	N	56.00	26.47	26.77	46.00	25.24	25.54
2.88	0.07	0.24	N	56.00	30.77	31.09	46.00	29.68	30.00
28.85	0.45	0.34	H	60.00	23.52	24.30	50.00	15.45	16.23
Remark	H : Hot Line, N : Neutral Line *Correction Factor = Lisn + Cable *Result = Correction Factor + Reading								

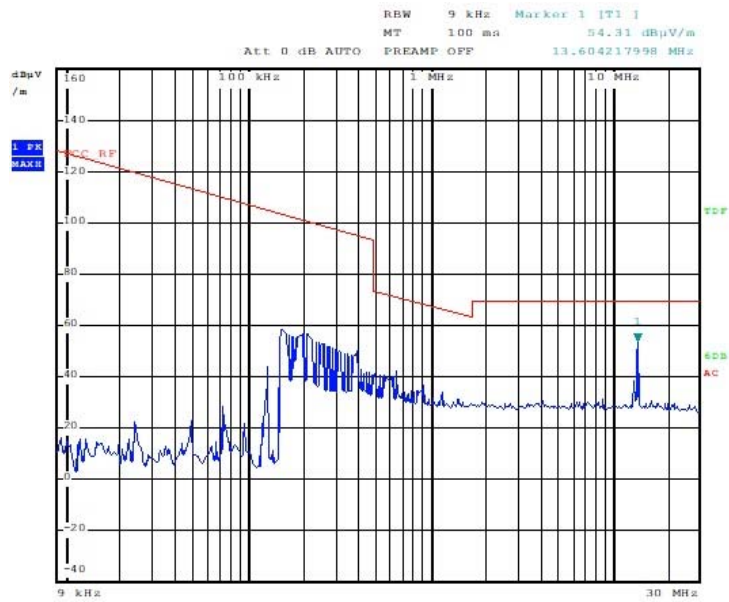
# Appendix 1. Measurement Data Plot

## \* Horizontal



ESTR-22-00042

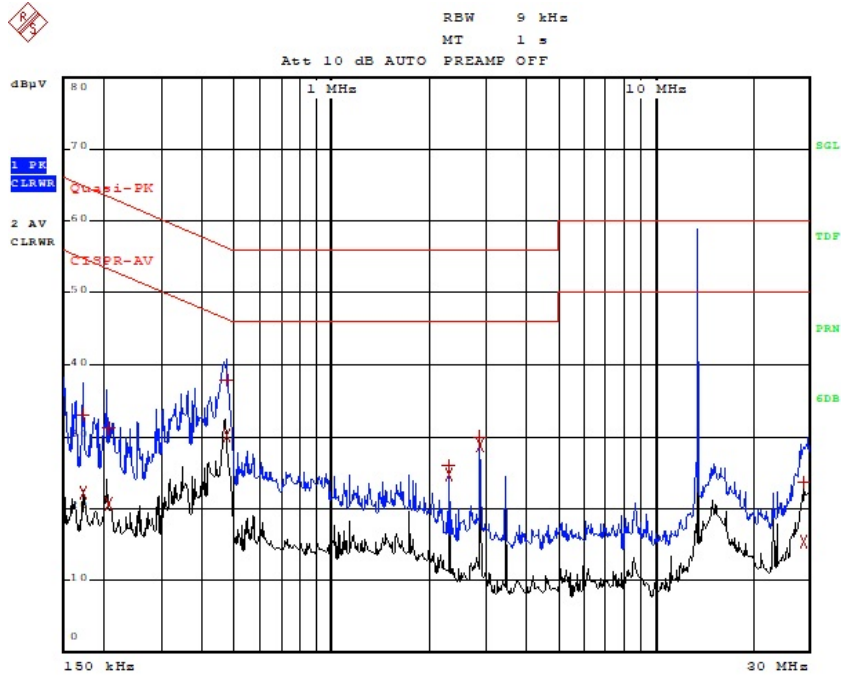
## \* Vertical



ESTR-22-00042

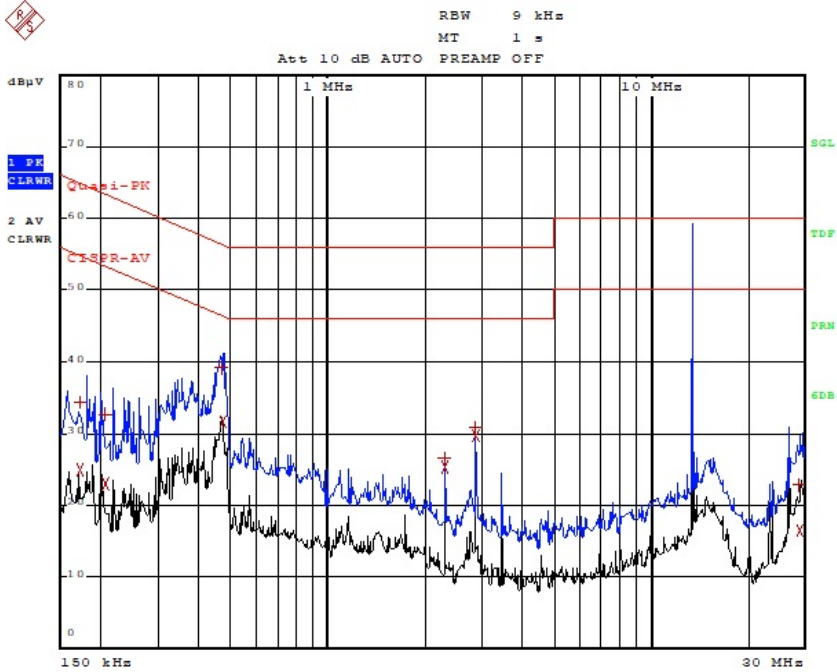
# Appendix 1. Special diagram

## \* HOT LINE



Comment: ESTR-22-00042

## \* NEUTRAL LINE



Comment: ESTR-22-00042

# Appendix 1 . Antenna Requirement

## Regulation

According to §15.203, an intentional radiator shall be designed to ensure that no antenna other than that furnished by the responsible party shall be used with the device. The use of a permanently attached antenna or of an antenna that uses a unique coupling to the intentional radiator shall be considered sufficient to comply with the provisions of this Section. The manufacturer may design the unit so that a broken antenna can be replaced by the user, but the use of a standard antenna jack or electrical connector is prohibited.

## Result

-Complied

The transmitter has an PCB Antenna.