
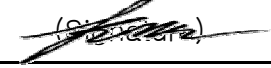


	<b>ESTECH Co., Ltd.</b>	Rm 1015, World Venture Center II, 426-5 Gasan-dong, Guncheon-gu, Seoul, 158-803, Korea	    	<b>Electromagnetic Interference Test Report</b>
---	-------------------------	--	--	---

## Test Report for FCC

Report Number		ESTF150703-003		
Applicant	Company name	Suprema Inc.		
	Address	16F Parkview Office Tower, Jeongja-dong, Bundang-gu, Seongnam, Gyeonggi, 463-863 Korea		
	Telephone	82-31-783-4505		
Product	Product name	FINGERPRINT SYSTEM		
	Model No.	BioStation(BSR-TC)	Manufacturer	Suprema Inc.
	Serial No.	NONE	Country of origin	Korea
Test date	17-Jan-07 ~ 28-Feb-07	Date of issue	2-Mar-07	
Testing location	ESTECH. Co., Ltd. 97-1 Hoiuk-Ri Majang-Myon, Icheon-city, KyungKi-Do, Korea			
Standard	FCC Part 15 Subpart C , ANSI C 63.4 2003			
Measurement facility registration number	94696			
Tested by	Engineer J.H.Kim 			
Reviewed by	Manager Engineer J.M.Yang 			
Abbreviation	OK, Pass = Passed, Fail = Failed, N/A = not applicable			
<p>* Note</p> <ul style="list-style-type: none"> <li>- This test report is not permitted to copy partly without our permission</li> <li>- This test result is dependent on only equipment to be used</li> <li>- This test result based on a single evaluation of one sample of the above mentioned</li> </ul>				

## Contents

1. Laboratory Information	3
2. Description of EUT	4
3. Test Standards	5
4. Measurement condition	6
5. Measurement of radiated emission	8
5.1 Radiated emission limits, general requirements	8
5.2 Measurement equipment	8
5.3 Environmental conditions	8
5.4 Test data	9
6. Measurement of conducted emission	10
6.1 Measurement equipment	10
6.2 Environmental conditions	10
6.3 Test data	11
7. Photographs of test setup	12
8. Photographs of EUT	14

Appendix 1. Spectral diagram



## 1. Laboratory Information

### 1.1 General

This EUT (Equipment Under Test) has been shown to be capable of compliance with the applicable technical standards and is tested in accordance with the measurement procedures as indicated in this report. ESTECH Lab attests to accuracy of test data. All measurement reported herein were performed by ESTECH Co., Ltd.

ESTECH Lab assume full responsibility for the completeness of these measurements and vouch for the qualifications of all persons taking them.

### 1.2 Test Lab.

Corporation Name : ESTECH Co. Ltd

Head Office : Rm 1015, World Venture Center II, 426-5, Gasan-dong, Geumcheon-gu, Seoul, Korea  
(Safety & Telecom. Test Lab)

EMC Test Lab : 58-1 Osan-Ri, GaNam-Myon, YeoJoo-Gun, KyungKi-Do, Korea  
97-1 Hoiuk-Ri Majang-Myon, Icheon-city, KyungKi-Do, Korea

### 1.3 Official Qualification(s)

MIC : Granted Accreditation from Ministry of Information & Communication for EMC, Safety and Telecommunication

KOLAS : Accredited Lab By Korea Laboratory Accreditation Schema base on CENELEC requirements

FCC : Filed Laboratory at Federal Communications Commission

VCCI : Granted Accreditation from Voluntary Control Council for Interference from ITE



**ESTECH Co., Ltd.**

Rm 1015, World Venture Center II,  
426-5 Gasan-dong, Guncheon-gu,  
Seoul, 158-803, Korea



**Electromagnetic  
Interference  
Test Report**

## 2. Description of EUT

### 2.1 Summary of Equipment Under Test

Product : FINGERPRINT SYSTEM  
Model Number : BioStation(BSR-TC)  
Serial Number : NONE  
Manufacturer : Suprema Inc.  
Country of origin : Korea  
Operating Frequency : 125KHz  
Antenna Type : Loop Coil  
Data rates : 1kbps  
Modulation Type : ASK  
Channel Spacing : 1  
Rating : AC input 100 ~ 250 VAC, 0.8A, 50/60Hz , DC output 12V --- 2.5A  
Receipt Date : 15-Jan-07  
X-tal lists : 6MHz, 12MHz, 20MHz

### 2.2 General descriptions of EUT

#### Specifications

- **CPU : Dual CPU (32 bit RISC + 400MHz DSP)**
- **Memory : 72MB flash + 34MB RAM**
- **Display : 2.5 inch QVGA 16 million color LCD**
- **Identify 3,000 fingerprints in 1 sec.**
- **Fingerprint capacity : 50,000 fingerprint templates**
- **Log capacity : 500,000 events**
- **Host interface : Wireless LAN (optional), TCP/IP, RS485**
- **PC interface : USB, RS232**
- **USB memory slot : USB host**
- **1 relay for Deadbolt, EM Lock, Door Strike, or automatic door**
- **Wiegand input/output, 4 TTL input/output**
- **Built-in microphone and speaker supporting door phone**
- **Convenient menu navigation key.**
- **4 function keys for user defined functions**
- **Operation mode : Fingerprint Only, PIN Only, Fingerprint + PIN**
- **Product size : 135 x 128 x 50 mm (width x length x depth)**

### 3. Test Standards

**Test Standard : FCC PART 15 (2006)**

This Standard sets out the regulations under which an intentional, unintentional, or incidental radiator may be operated without an individual license. It also contains the technical specifications, administrative requirements and other conditions relating to the marketing of Part 15 devices.

**Test Method : ANSI C 63.4 (2003)**

This standard sets forth uniform methods of measurement of radio-frequency (RF) signals and noise emitted from both unintentional and intentional emitters of RF energy in the frequency range 9 kHz to 40 GHz. Methods for the measurement of radiated and AC power-line conducted radio noise are covered and may be applied to any such equipment unless otherwise specified by individual equipment requirements. These methods cover measurement of certain devices that deliberately radiate energy, such as intentional emitters, but does not cover licensed transmitters. This standard is not intended for certification/approval of avionic equipment or for industrial, scientific, and medical (ISM) equipment. These methods apply to the measurement of individual units or systems comprised of multiple units.

**Summary of Test Results**

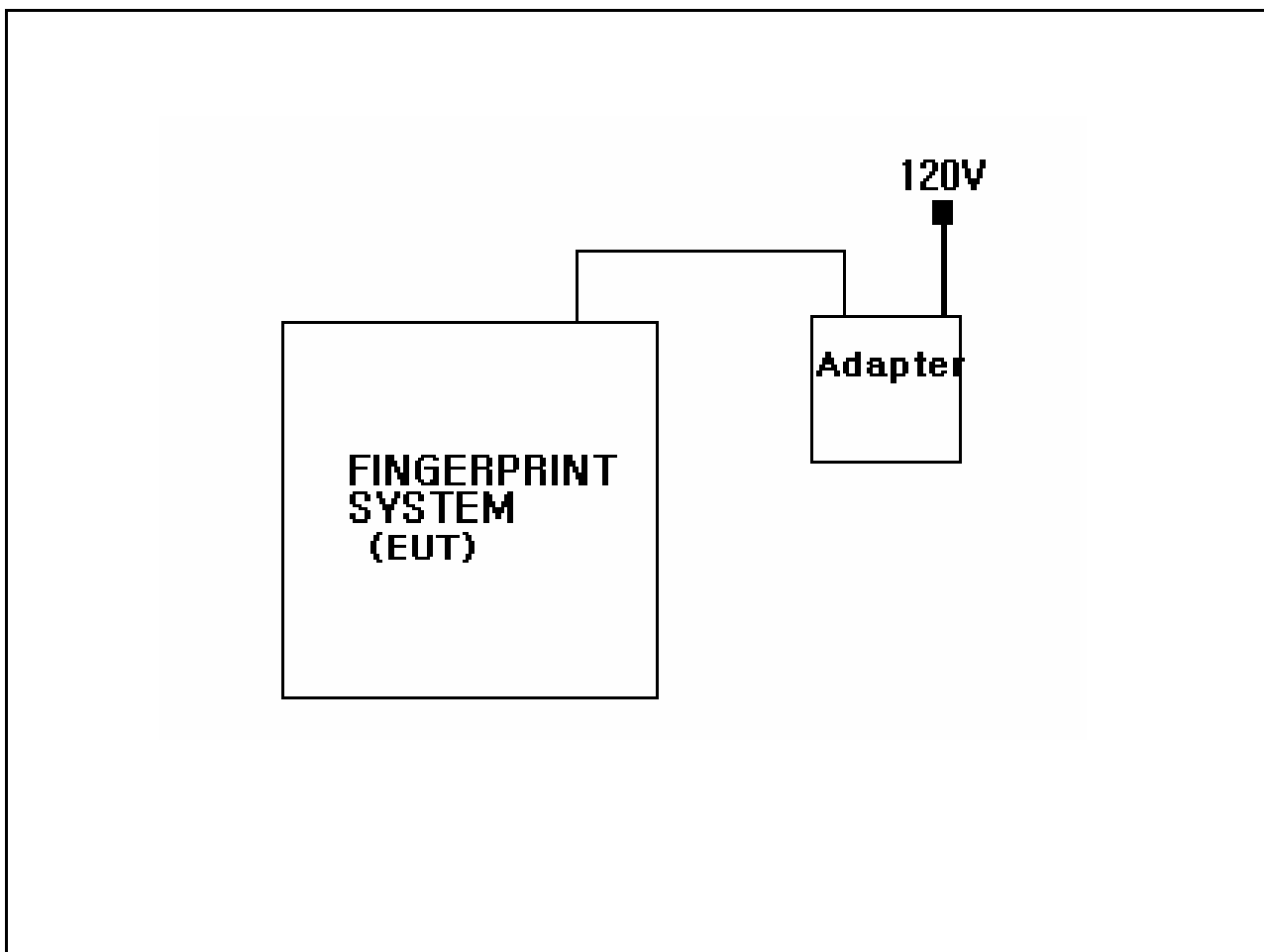
Applied Standard : 47 CFR Part 15, Subpart C				
Standard	Test Type	Result	Remark	Limit
15.207	AC Power Conducted Emission	Pass	Meet the requirement	
15.205	Restricted bands	Pass	Meet the requirement	
15.209	Radiated Emission	Pass	Meet the requirement	

## 4. Measurement Condition

### 4.1 EUT Operation.

The EUT is Power ON and operate continuously in transmitting.

### 4.2 Configuration and Peripherals



### 4.3 EUT and Support equipment

Equipment Name	Model Name	S/N	Manufacturer	Remark (FCC ID)
FINGERPRINT SYSTEM	BioStation(BSR-TC)	NONE	Suprema Inc.	EUT
Adapter	PW127	NONE	AULT Korea Corp.	

### 4.4 Cable Connecting

Start Equipment		End Equipment		Cable Standard		Remark
Name	I/O port	Name	I/O port	Length	Shielded	
FINGERPRINT SYSTEM	Power	Adapter	-	2	No	

## 5. Measurement of radiated disturbance

The EUT was placed on the top of a rotating table 0.8 meters above the ground at a 3 meter Open test site. The table was rotated 360 degrees to determine the position of the highest radiation. Then antenna is a loop antenna is fixed at one meter above the ground to determine the maximum value of the field strength. Both parallel and perpendicular of the antenna are set to make the measurement. For each suspected emission, the EUT was arranged to its worst case and then the table was turned from 0 degrees to 360 degrees to find the maximum reading. The test-receiver system was set to Peak Detect Function and Specified Bandwidth with Maximum Hold Mode.

### 5.1 Radiated emission limits, general requirements

Except as provided elsewhere in this Subpart, the emissions from an intentional radiator shall not exceed the field strength levels specified in the following table:

Frequency	Field Strength(microvolt/meter)	Distance(meter)
0.009-0.490	2400/F(KHz)	300
0.490-1.705	24000/F(KHz)	30
1.705-30	30	30
30-88	100**	3
88-216	150**	3
216-960	200**	3
Above 960	500	3

\*\* Except as provided in paragraph (g), fundamental emissions from intentional radiators operating under this Section shall not be located in the frequency bands 54-72 MHz, 76-88 MHz, 174-216 MHz or 470-806 MHz. However, operation within these frequency bands is permitted under other sections of this Part, e.g., Sections 15.231 and 15.241

### 5.2 Measurement equipments

Equipment Name	Type	Manufacturer	Serial No.	Next Calibration date
Spectrum Analyzer	R3261C	ADVANTEST	61720116	2007. 4. 19
Loop Antenna	HFH2-Z2	ROHDE&SCHWARZ	8931031024	2007.10.08
Amplifier	8447F	HP	2805A02972	2007. 6. 26
Turn Table	2087	EMCO	2129	-
Antenna Mast	2070-01	EMCO	9702-203	-
ANT Mast Controller	2090	EMCO	1535	-
Turn Table Controller	2090	EMCO	1535	-

### 5.3 Environmental Condition

Test Place : Open site(3m)  
 Temperature (°C) : 9 °C  
 Humidity (%) : 42 %





**ESTECH Co., Ltd.**

Rm 1015, World Venture Center II,  
426-5 Gasan-dong, Guncheon-gu,  
Seoul, 158-803, Korea



**Electromagnetic  
Interference  
Test Report**

### 5.4 Test data

Test Date : 21-Feb-07

Measurement Distance : 3 m

Frequency (MHz)	Reading (dB $\mu$ V)	Position (V/H)	Height (m)	Correction Factor		Result Value		
				Ant Factor (dB)	Cable (dB)	Limit (dB $\mu$ V/m)	Result (dB $\mu$ V/m)	Margin (dB)
Emissions(Average Detector)								
0.122	59.30	H	1.0	19.35	0.6	105.9	79.25	-26.63
0.366	24.50	H	1.0	19.28	0.6	96.3	44.38	-51.95
Remark	<p>H : Horizontal, V : Vertical            *Below 30Mhz was applied Average Detector.            *There is no found Restricted bands.            *Emission above 30MHz were reported in Report No.ESTF150702-003            *The 300m limit was converted to 3m Limit using square factor(x) as it was found by measurements as follows:            3 m Limit(dBuV/m) = <math>20\log(2400/F(KHz))+40\log(300/3)= 20\log(2400/125)+40\log(300/3)</math>            = 25.67+80</p>							

## 6. Measurement of conducted disturbance

The continuous disturbance voltage of AC Mains in the frequency from 0.15 to 30 MHz was measured in accordance to FCC Part 15 (2006). The test setup was made according to ANSI C 63.4 (2003) in a shielded. The EUT was placed on a non-conductive table at least 80 above the ground plan. A grounded vertical reference plane was positioned in a distance of 40cm from the EUT. The distance from the EUT to other metal surfaces was at least 0.8m. The EUT was only earthen by its power cord through the line impedance stabilizing network. The power cord has been bundled to a length of 1.0m.. The test receiver with Quasi Peak detector complies with CISPR 16.

### 6.1 Measurement equipments

Equipment Name	Type	Manufacturer	Serial No.	Next Calibration date
LISN	ESH3-Z5	Rohde & Schwarz	838979/010	2007. 2. 27
LISN	NNLA8120A	Schwarzbeck	8120161	2007. 2. 27
TEST Receiver	ESPI7	Rohde & Schwarz	100185	2007. 8. 24
Pulse Limiter	ESH3Z2	Rohde & Schwarz	NONE	2007. 6. 15

### 6.2 Environmental Condition

Test Place : Shield Room  
 Temperature (°C) : 20 °C  
 Humidity (%) : 39 %



**ESTECH Co., Ltd.**

Rm 1015, World Venture Center II,  
426-5 Gasan-dong, Guncheon-gu,  
Seoul, 158-803, Korea



**Electromagnetic  
Interference  
Test Report**

### 6.3 Test data

Test Date : 17-Jan-07

Frequency (MHz)	Correction Factor		Line (H/N)	Quasi-peak Value			Average Value		
	Lisn (dB)	Cable (dB)		Limit (dB $\mu$ V)	Reading (dB $\mu$ V)	Result (dB $\mu$ V)	Limit (dB $\mu$ V)	Reading (dB $\mu$ V)	Result (dB)
0.15	0.10	0.0	N	66.00	35.53	35.63	56.00		
0.20	0.10	0.0	H	63.57	48.27	48.40	53.57	33.67	33.80
0.27	0.10	0.1	N	61.15	43.96	44.14	51.15	31.71	31.89
0.34	0.10	0.1	N	59.28	48.83	49.05	49.28	38.17	38.39
0.40	0.10	0.2	H	57.81	38.34	38.59	47.81	27.12	27.37
0.47	0.10	0.2	H	56.50	47.05	47.34	46.50	37.40	37.69
0.54	0.10	0.2	N	56.00	44.40	44.70	46.00		
0.81	0.10	0.2	H	56.00	41.48	41.78	46.00	37.54	37.84
0.82	0.10	0.2	N	56.00	39.65	39.95	46.00	39.37	39.67
2.43	0.11	0.3	H	56.00	43.65	44.06	46.00	41.53	41.94
4.03	0.17	0.3	H	56.00	41.83	42.30	46.00	39.03	39.50
4.09	0.17	0.3	N	56.00	44.97	45.44	46.00	36.20	36.67
5.45	0.21	0.3	H	60.00	33.19	33.72	50.00		
6.53	0.24	0.4	H	60.00	34.81	35.42	50.00	23.81	24.42
7.01	0.25	0.4	N	60.00	33.03	33.68	50.00	17.89	18.54
7.27	0.25	0.4	H	60.00	35.01	35.68	50.00	22.22	22.89
9.02	0.28	0.5	H	60.00	31.89	32.71	50.00		
12.29	0.35	0.7	N	60.00	29.19	30.23	50.00	28.75	29.79
Remark	H : Hot Line, N : Neutral Line								



**ESTECH Co., Ltd.**

Rm 1015, World Venture Center 11,  
426-5 Gasan-dong, Guncheon-gu,  
Seoul, 158-803, Korea



**Electromagnetic  
Interference  
Test Report**

## 7. Photographs of test setup

### 7.1 Setup for Radiated Test (below 30MHz)

[ Front ]



[ Rear ]





**ESTECH Co., Ltd.**

Rm 1015, World Venture Center II,  
426-5 Gasan-dong, Guncheon-gu,  
Seoul, 158-803, Korea



**Electromagnetic  
Interference  
Test Report**

## 7.2 Setup for Conducted Test : 0.15 ~ 30 MHz

[ Front ]



[ Rear ]





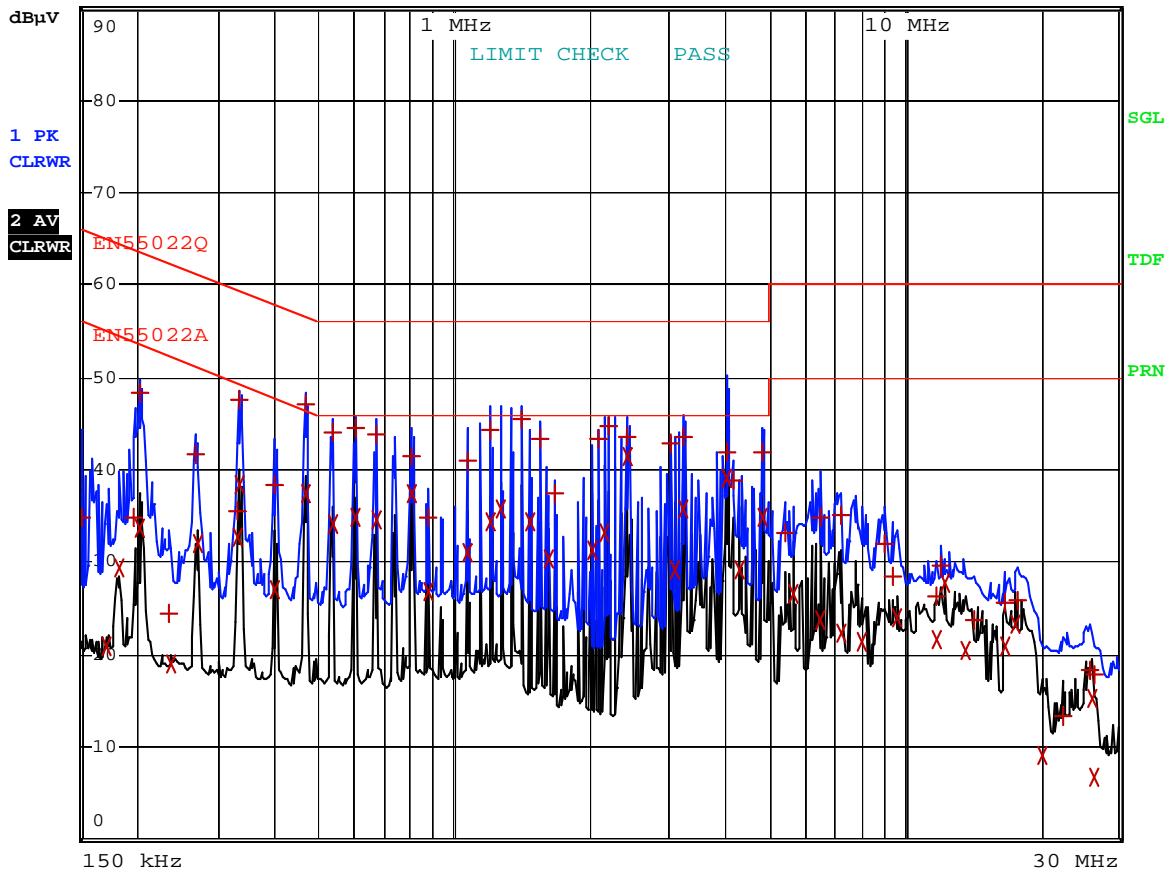
# Appendix 1. Spectral diagram

\*HOT



RBW 9 kHz  
MT 1 s

Att 10 dB AUTO PREAMP OFF



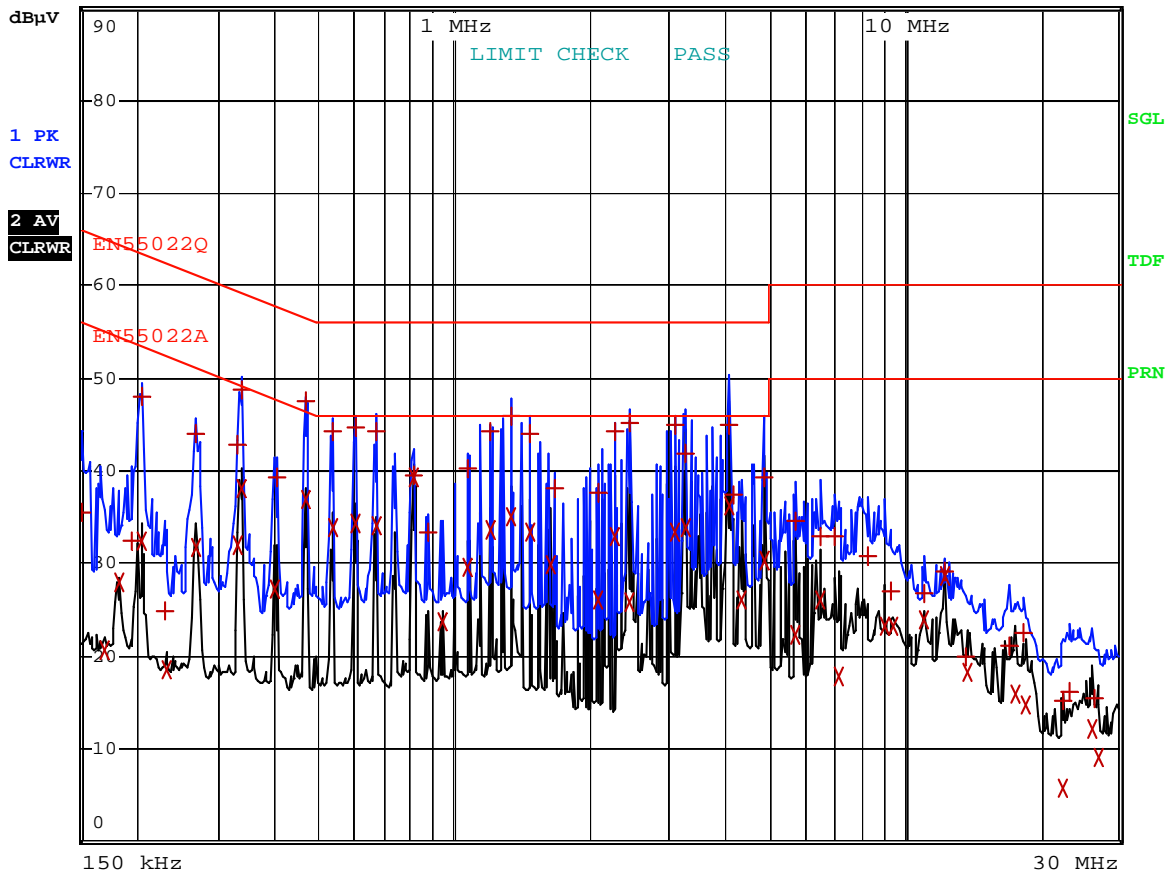
Comment: BioStation(BSR-TC) HOT  
Date: 17.JAN.2007 21:38:31

\*NEUTRAL



RBW 9 kHz  
MT 1 s

Att 10 dB AUTO PREAMP OFF



Comment: BioStation(BSR-TC) NEUTRAL  
Date: 17.JAN.2007 21:32:07