

**Caution**

- ▶ **Wear heat-resistant protective gloves when touching the probe during or after cooking.**
- ▶ Do not use the instrument in the microwave.
- ▶ Be careful when handling the sharp probes.
- ▶ Keep these devices and the batteries out of reach of children.
- ▶ Batteries contain harmful acids and may be hazardous if swallowed. If a battery is swallowed, this can lead to serious internal burns and death within two hours. If you suspect a battery could have been swallowed or otherwise caught in the body, seek medical help immediately.
- ▶ Batteries must not be thrown into a fire, short-circuited, taken apart or recharged. Risk of explosion!
- ▶ Low batteries should be changed as soon as possible to prevent damage caused by leaking. Never use a combination of old and new batteries together, nor batteries of different types.
- ▶ Wear chemical-resistant protective gloves and safety glasses when handling leaking batteries.

**Important information on product safety**

- ▶ Do not expose the receiver and transmitter to extreme temperatures, vibrations or shocks. Only the probe and the cable are heat resistant up to 300°C. Never hold the probe directly over a fire.
- ▶ Do not immerse the probe and the cable in water. Water can penetrate and cause malfunction. Not suitable for dishwasher.
- ▶ The receiver is not splash proof. Do not use it in the rain.
- ▶ The transmitter is splash proof, but not watertight. Do not immerse the instrument in water.

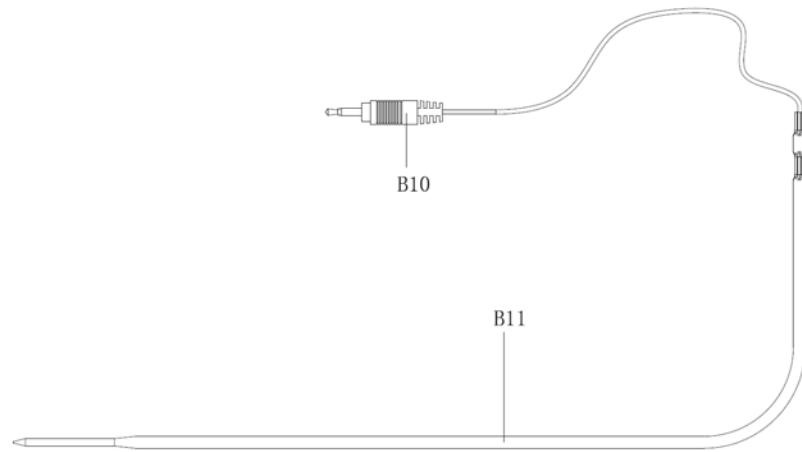
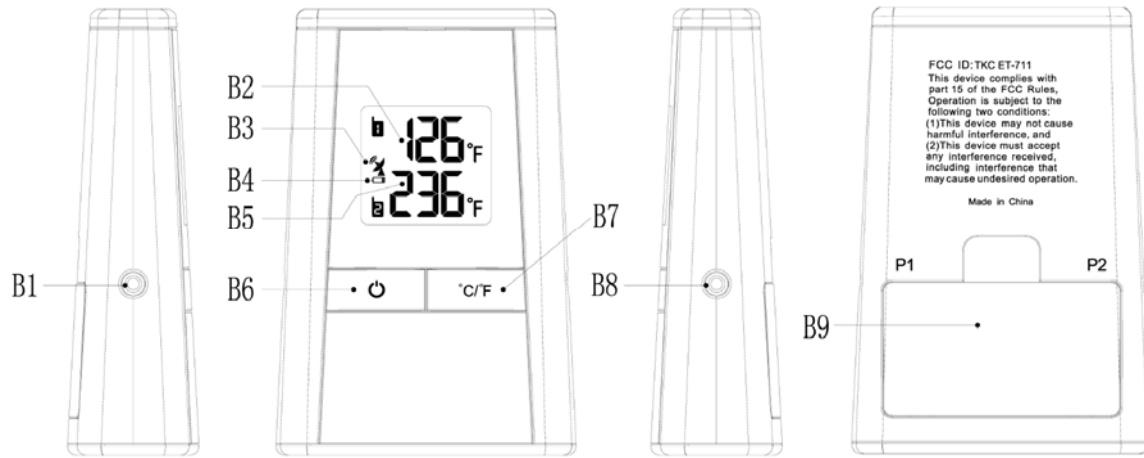
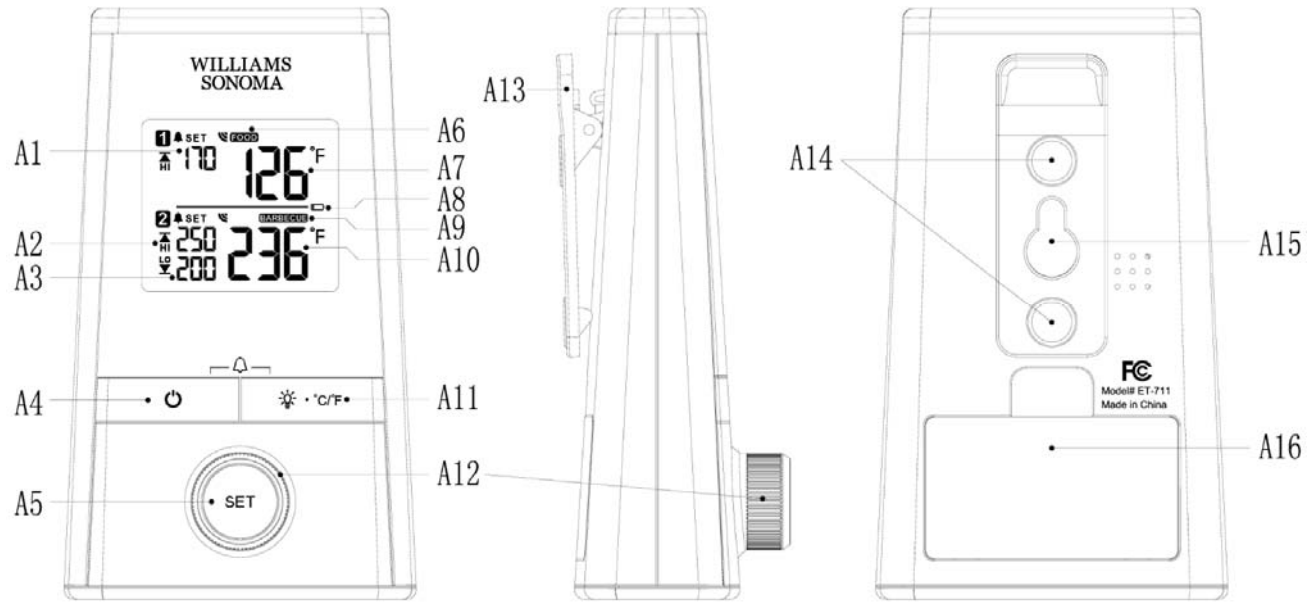
**Features**

- ▶ Measuring range: -58 ~ +572°F
- ▶ Resolution: 1°F/°C
- ▶ Transmission frequency: 915MHz
- ▶ Transmission distance: 300ft at open field
- ▶ Temperature alternatively optional in °C or °F
- ▶ Low battery indication
- ▶ Power Supply:

2 x LR03 AAA size 1.5V batteries

**Production Appearance**

# User Manual



# User Manual

---

## Part A

- A1: Channel 1 HI target temperature (in FOOD mode) or upper temperature limit (in BARBECUE mode)
- A2: Channel 2 upper temperature limit (in BARBECUE mode) or HI target temperature (in FOOD mode) BARBECUE mode (cooking chamber temperature) or FOOD mode (core temperature)
- A3: Channel 2 LO lower temperature limit (BARBECUE mode)
- A4: Power (hold 3 seconds) / RESYNC (quickly press twice in a row) button
- A5: SET button
- A6: Channel 1 using mode (FOOD or BARBECUE)
- A7: Channel 1 actual measured temperature (for jack1)
- A8: Low battery indication for receiver
- A9: Channel 2 using mode (FOOD or BARBECUE)
- A10: Channel 2 actual measured temperature (for jack2)
- A11: Backlight button or °C/°F(hold 3 seconds)
- A12: Adjustment knob (+ or -)
- A13: Back clamp
- A14: Magnet
- A15: Hanging hole
- A16: Battery cover

## Part B

- B1: Jack 2 (for temperature probe 2)
- B2: Channel 1 temperature
- B3: Transmission symbol
- B4: Low battery indication for transmitter
- B5: Channel 2 temperature
- B6: Power ON/OFF button
- B7: °C/°F button
- B8: Jack 1 (for temperature probe 1)
- B9: Battery cover
- B10: Probe connector
- B11: Probe

## Initial operation



- ▶ Plug the connector for the probe cable into the jack 1 and jack 2.
- ▶ Open the battery compartment at the back of the transmitter.
- ▶ Open the battery compartment at the back of the receiver.
- ▶ Put the devices on a table. Avoid being close to possible sources of interference such as electronic devices and radio equipment.
- ▶ To guarantee a quicker and better transmission of the measured temperature, insert first two AAA 1.5V batteries in the compartment of the receiver, make sure the polarity is correct. The device will alert you with a beep and all segments will be displayed for a short moment.

# User Manual



---

- ▶ The device is ready for use.
- ▶ On the temperature display for channel 1 or 2 appears “- - -” and flashing.
- ▶ Now insert two new AAA 1.5V batteries in the compartment of the transmitter, Make sure the polarity is correct. All segments will be displayed briefly.
- ▶ The actual measured temperature for channel 1 or 2 appears in sequence in the display.
- ▶ The transmitter sends the actual measured temperatures to the receiver.
- ▶ As soon as the transmission is successful, the device will alert you with a beep and the actual measured temperatures for channels 1 and 2 appear in the receiver’s display.
- ▶ When the temperature changes to 1°C and more than 1°C, the transmitter is immediately emitted once, every 30 seconds emitted once when the temperature changes less than 1 °C, and when the temperature continuously displays “HHH / LL L” or no probe displays “- - -”, the transmitter is stopped after three consecutive launches.
- ▶ Close the battery compartments of the receiver and the transmitter.
- ▶ You can also operate the device with only one probe, “- - -” appears in the display of the unused channel.




## Manual search for the transmitter

- ▶ If the transmission fails or if the contact between the transmitter and the receiver gets lost **1** minute(transmission range of up to 100m in open areas, within solid walls, especially ones with metal parts, the transmission range can be reduced considerably), a beep tone will be heard at regular **4** seconds and “- - -” appears on the display of the receiver for channel 1 and 2.
- ▶ Press any key to terminate the alarm sound.
- ▶ If no signal from the transmitter is received for **8** minutes in a row, to regain transmission signal, Move the receiver close to the transmitter, quickly press the button  of receiver twice to re-enter pairing mode, “- - -” flashes on the display of the receiver for channel 1 and 2, after receiving the signal from the transmitter the temperatures should appear on the receiver display.
- ▶ Press the button  of the transmitter to hear the beep of the receiver , it means pairing success.

## Switch the devices OFF and ON

- ▶ Press and hold the ON/OFF button  for 3 seconds, the device is switched OFF.
- ▶ Press and hold the ON/OFF button  for 3 seconds to turn the device back ON.
- ▶ On the display for the temperature for channel 1 and 2 appears “- - -”, if necessary, activate the transmitter.
- ▶ Wait until the last measured temperature appears or start the manual search for the transmitter.

## Transmitter

- ▶ Press and hold the ON/OFF button  of the transmitter, the device is switched OFF.
- ▶ Press and hold the ON/OFF button  for 3 seconds to turn the device back ON.
- ▶ Press the button  once, the transmitter will emit a test code with sound, and the receiver will emit a BEEP when it receives it.
- ▶ The temperature unit can be switched °C/°F by press the button °C/°F.
- ▶ When the probe is not inserted, the temperature is displayed as “- - -”.

# User Manual

---

- ▶ After inserting the probe, the actual temperature of the probe is detected and displayed, when the temperature is above 300 °C, “HHH” is displayed, when the temperature is below -50 °C, “LLL” is displayed.

**IMPORTANT:** To increase the life of the batteries, switch off the devices after each use please.




## Settings

- ▶ The two stainless steel probes can optionally be used to monitor.
- ▶ Press and hold the **SET** button 3 seconds to enter the setting mode, channel 1 starts flashing and you can rotate the knob **A12** to select the channel for which you want to make the setting (1or 2), Press the **SET** button to confirm the item has been set and go to the next one, the sequence of setting items is as follows:  
Channel → Mode → Upper limit temperature → Lower limit temperature → Exit setting
- ▶ When adjusting the value, turn clockwise to add, turn counter clockwise to reduce.
- ▶ If there is no valid operation within 15 seconds, it will automatically return to normal mode from the set mode.

## Measuring procedure

- ▶ If you want to measure the cooking chamber temperature (BARBECUE mode), place the corresponding probe in the grill or oven. Do not place the probe directly on the rack. For an optimal measuring result we recommend the clip for BBQ meat thermometer to attach the temperature probe to the grill.
- ▶ For measuring the core temperature of meat (FOOD mode): Plunge the corresponding probe at least 2 cm into the middle of the thickest part of the meat; for poultry, between the torso and the thigh – it should not touch bones or cartilage and it should not protrude from the meat. The probe should remain in the meat throughout the cooking process.
- ▶ Now simply run the cable to the outside. Be careful with sharp-edged frames and hinges.
- ▶ Use the flexible supports to fasten the transmitter in position near the oven (cable length 100cm) or remove the support and the device can be placed onto flat surfaces.

## Temperature alarm

- ▶ The default temperature alarm function is ON, acoustic alarms will be issued when the temperature exceeds the set range, press any key to terminate alarm sound when alarm is issued, but the corresponding symbols and actual measured temperature values will continue flash until the temperature returns to the set range.
- ▶ Press  and  button at same time once to OFF ALARM function, the symbol  will disappear from the display. Do this again to ALARM ON.

## FOOD mode

### Pre-alarm

- ▶ As soon as the core temperature minus 5°C is reached three alarm beeps are heard per second and the corresponding symbol flashes on the receiver's screen.
- ▶ Press any button to stop the alarm sound.

# User Manual

---

## Hi-alarm

- ▶ As soon as the core temperature is exceeded four alarm beeps are heard per seconds.
- ▶ The corresponding temperature value and the symbol flicker on the receiver's screen.
- ▶ Press any button to stop the alarm sound.
- ▶ The corresponding symbols and actual measured temperature values will continue flashing until the measured temperature is returns to the set range.

## BARBECUE mode

- ▶ If the set upper temperature limit in the cooking chamber is exceeded, two alarm beeps are heard per second.
- ▶ If the set lower temperature limit in the cooking chamber is fallen below, one alarm beep is heard per second.
- ▶ The corresponding temperature values and the symbol flicker on the receiver's screen.
- ▶ Press any button to stop the alarm sound.
- ▶ The temperature display and the symbol will continue flashing until the measured temperature is within the alarm limits.

## Battery replacement

- ▶ Change the batteries when the battery symbol appears on the display.
- ▶ Open the battery compartments on the back of both instruments and insert two AAA 1.5V batteries in each one. Make sure the polarities are correct. Close the battery compartments again.

## FCC Statement:

Any Changes or modifications not expressly approved by the party responsible for compliance could void the user's authority to operate the equipment.

This device complies with part 15 of the FCC Rules. Operation is subject to the following two conditions:

- (1) This device may not cause harmful interference, and
- (2) This device must accept any interference received, including interference that may cause undesired operation.