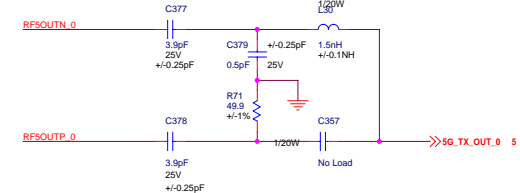
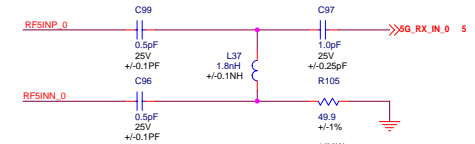
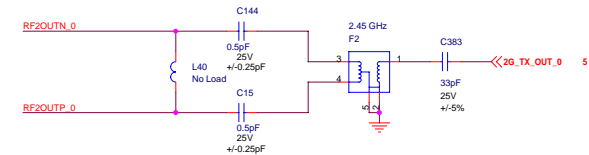
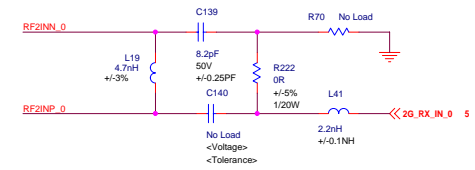
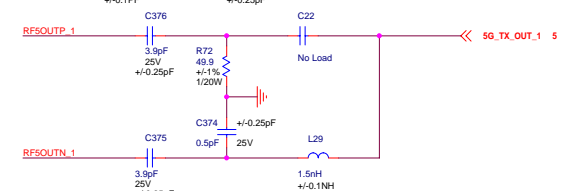
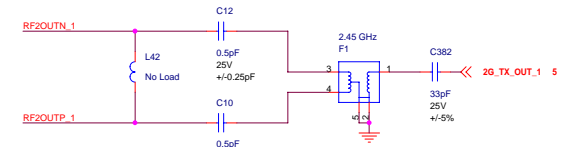
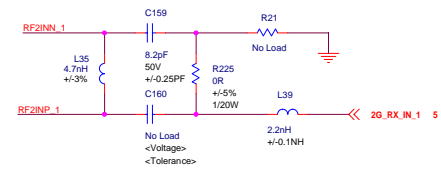
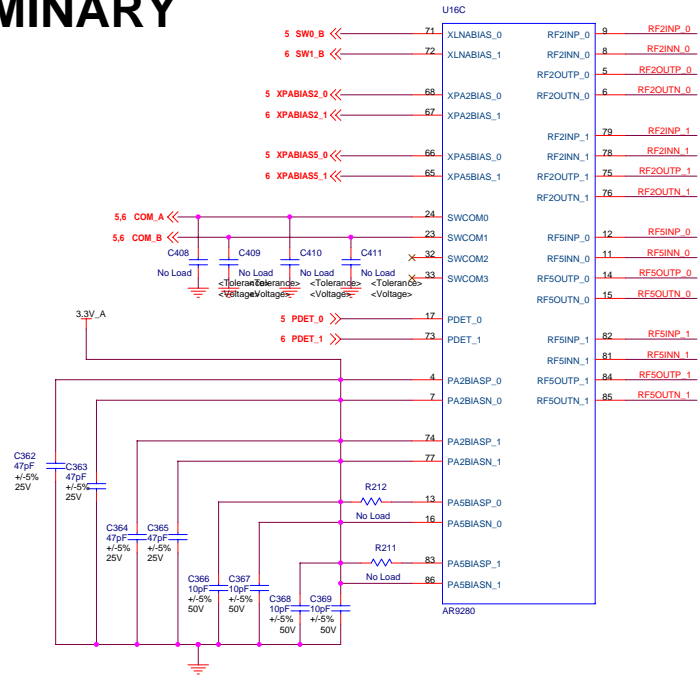


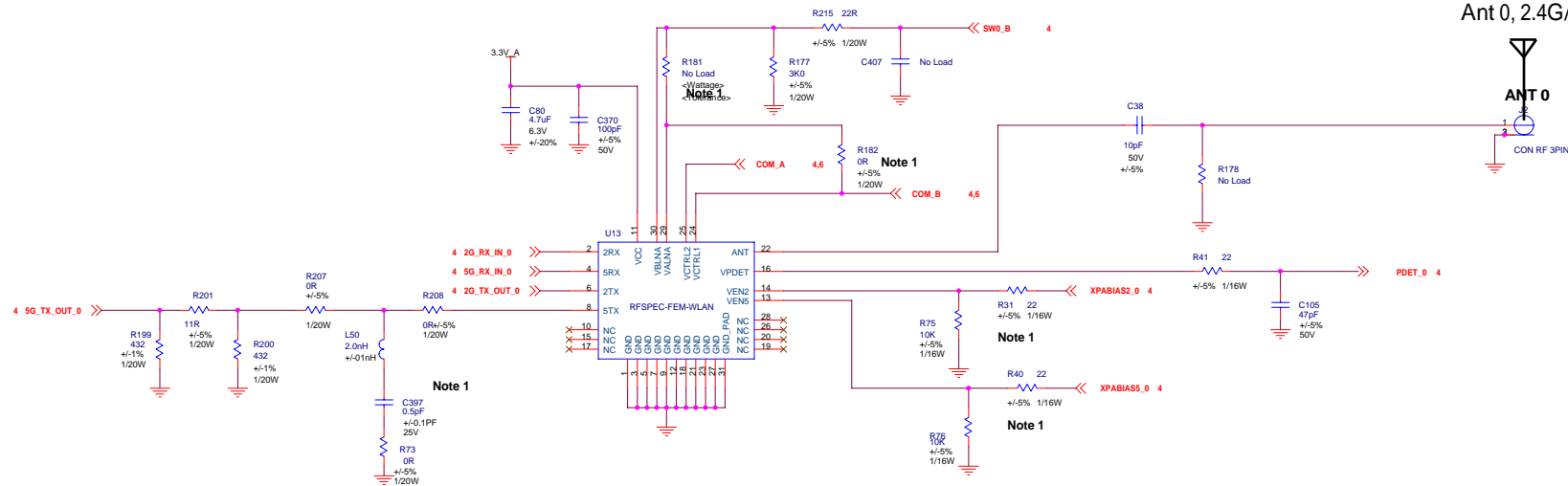
**FULL RIVER(HK)LTD.
PRELIMINARY**

FULL RIVER(HK)LTD.

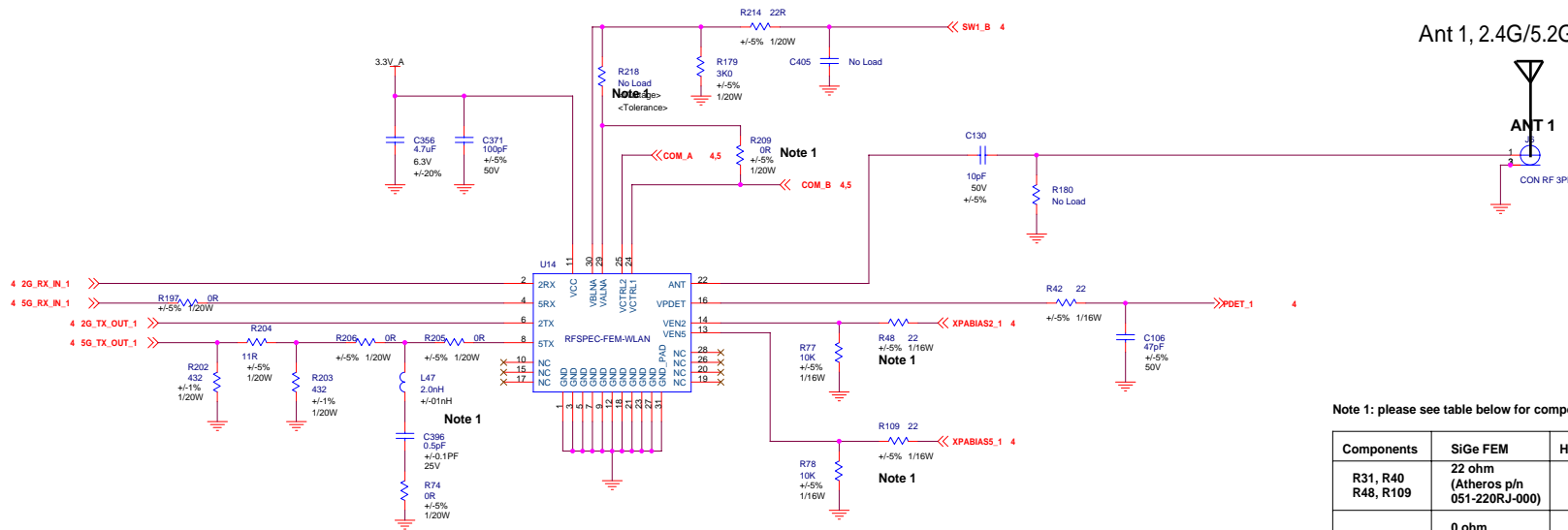
PRELIMINARY



Ant 0, 2.4G/5.2G/5.3G/5.6G/5.8G



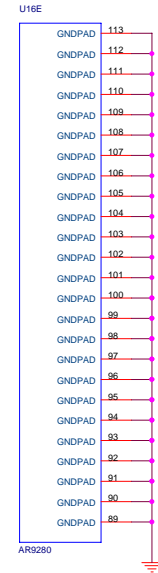
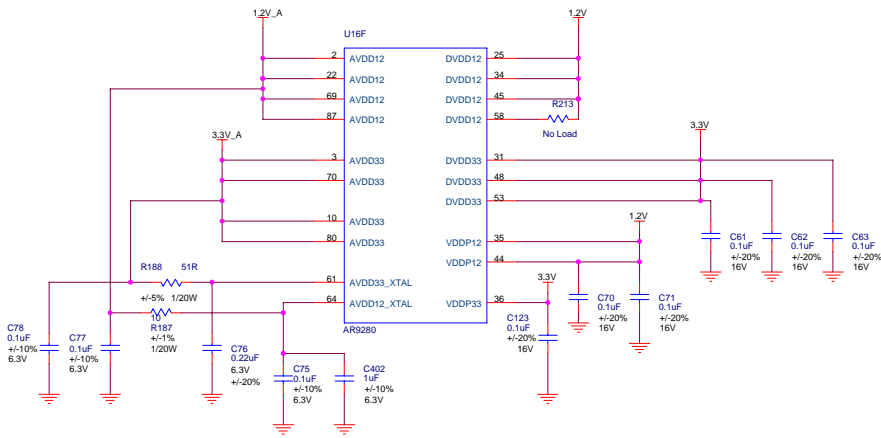
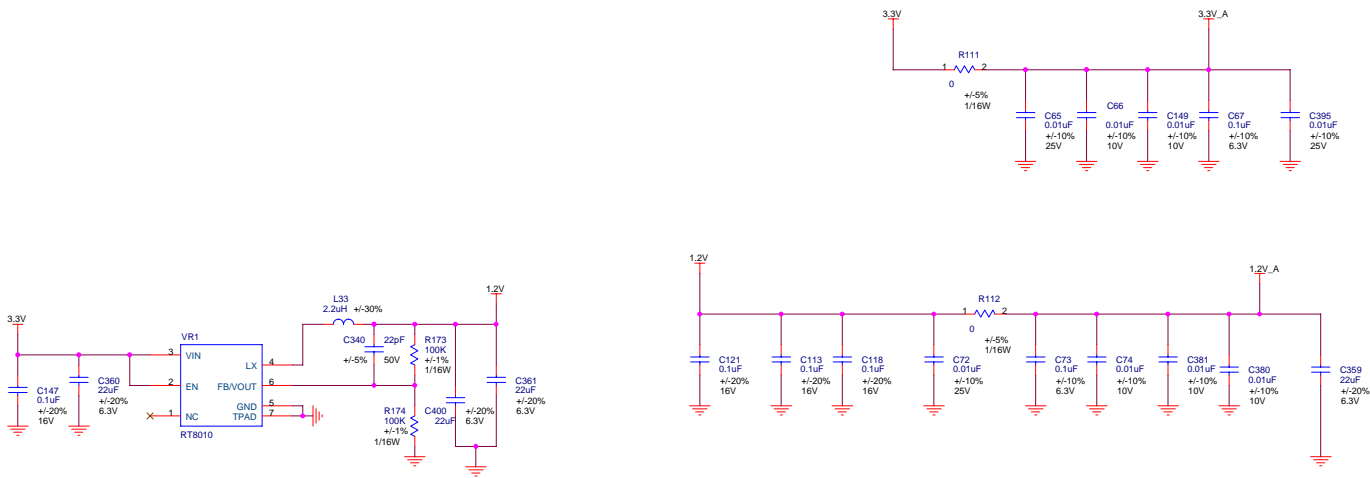
Ant 1, 2.4G/5.2G/5.3G/5.6G/5.8G



Note 1: please see table below for components loading options

Components	SiGe FEM	Hitachi/Murata FEM
R31, R40 R48, R109	22 ohm (Atheros p/n 051-220RJ-000)	0 ohm (Atheros p/n 051-000RJ-000)
R182, R209	0 ohm (Atheros p/n 050-000RJ-000)	No load
R181, R218	No load	0 ohm (Atheros p/n 050-000RJ-000)
L47, L50 C396, C397 R73, R74	Load	No load

**FULL RIVER(HK)LTD.
PRELIMINARY**



FULL RIVER(HK)LTD. PRELIMINARY

