

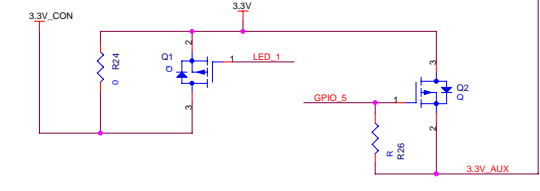
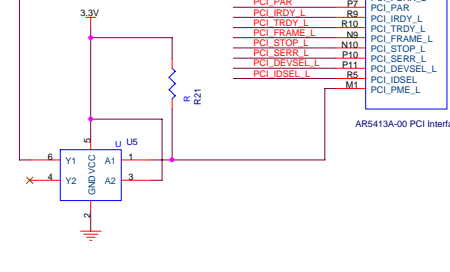
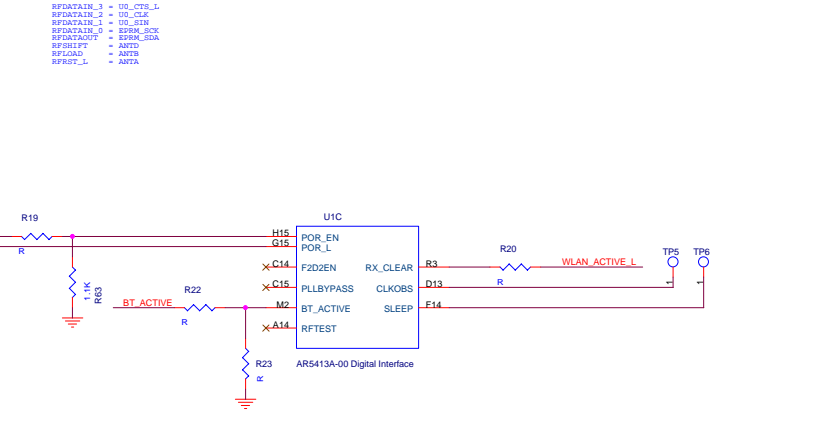
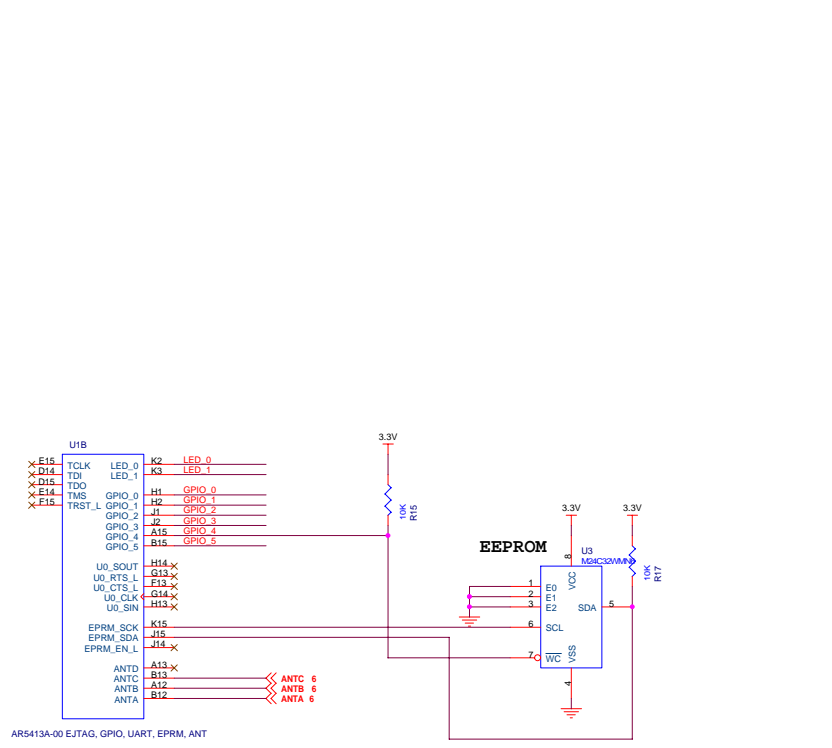
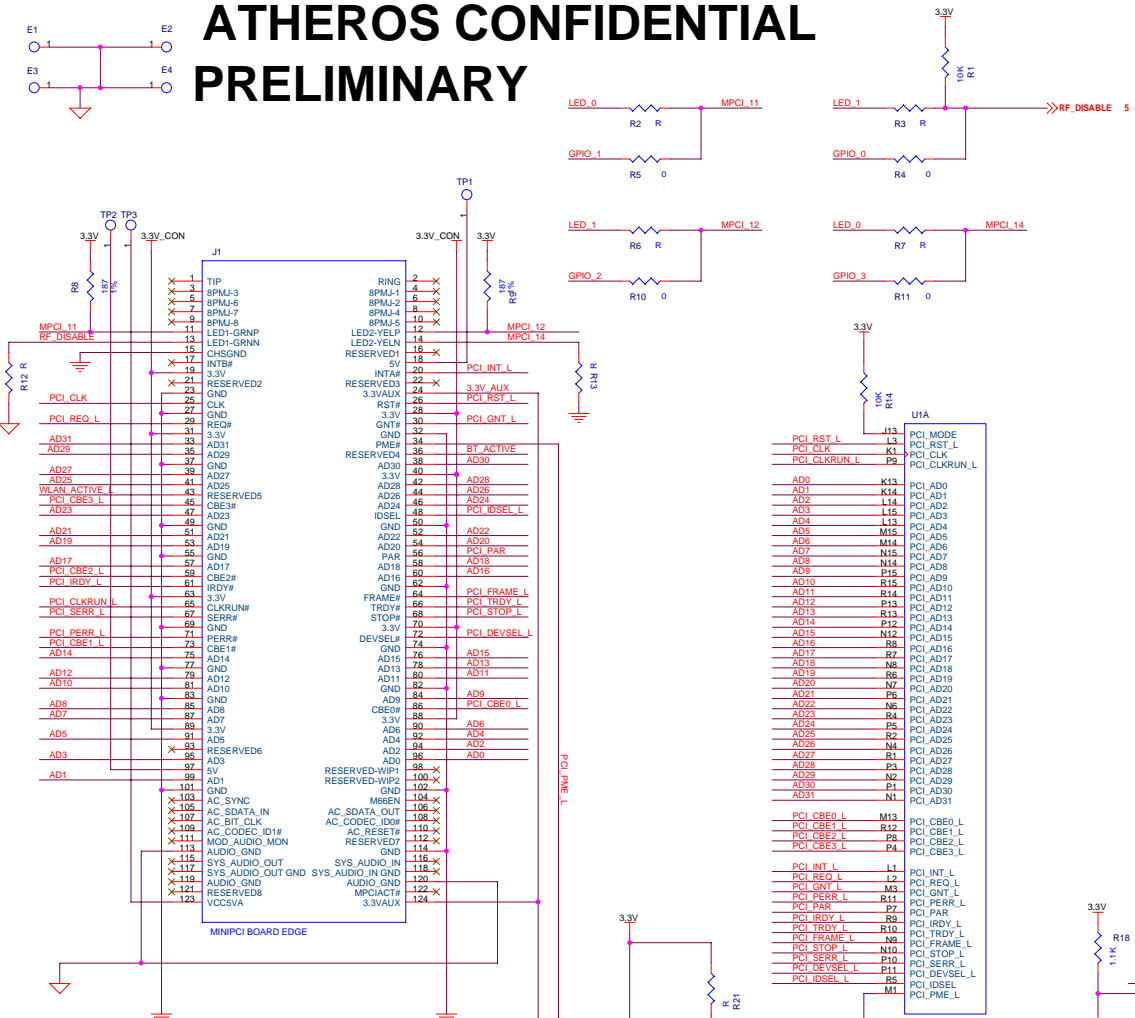
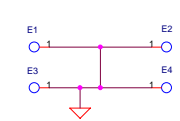
DATE	REVISION NUMBER	INITIALS	DESCRIPTION
11/8/04	245-01316-020	AD	Initial Design Based on TB138-020
11/9/04	245-01316-021	AD	Corrected reference designators C5, C10, C364 to L7, L8, C64 to match 020 PCB
11/23/04	245-01316-030	AD	Moved bottom layer traces to third layer and added shield symbol Changed to NEC LNA
12/7/04	245-01316-040	AD	Changed C51 and C59 to 100pF and move them closer to switch Changed 2GHz Rx tuning L18 to 1.8pF and C16 to 0.5pF
12/10/04	245-01316-050	AD	ANTA, ANTB decoupling caps C51, C59 to 1pF and comb-filter caps to 2.7pF Added 2 decoupling caps on ANTA and ANTB lines: C118 and C119
12/15/04	245-01316-051	AD	Corrected Q4 part number typo Changed the comb-line filter caps from 2.7pF to 3.0pF (x6)
1/24/04	245-01316-052	AD	Changed MPCl mode R14 from R to 10k Changed C38 and C39 from 1pF to 0.75pF to improve stability of 5GHz xPA

MB62 - AR5006X 802.11a/b/g Mini PCI Reference Design. BGA Version.

ATHEROS CONFIDENTIAL
PRELIMINARY

ATHEROS CONFIDENTIAL

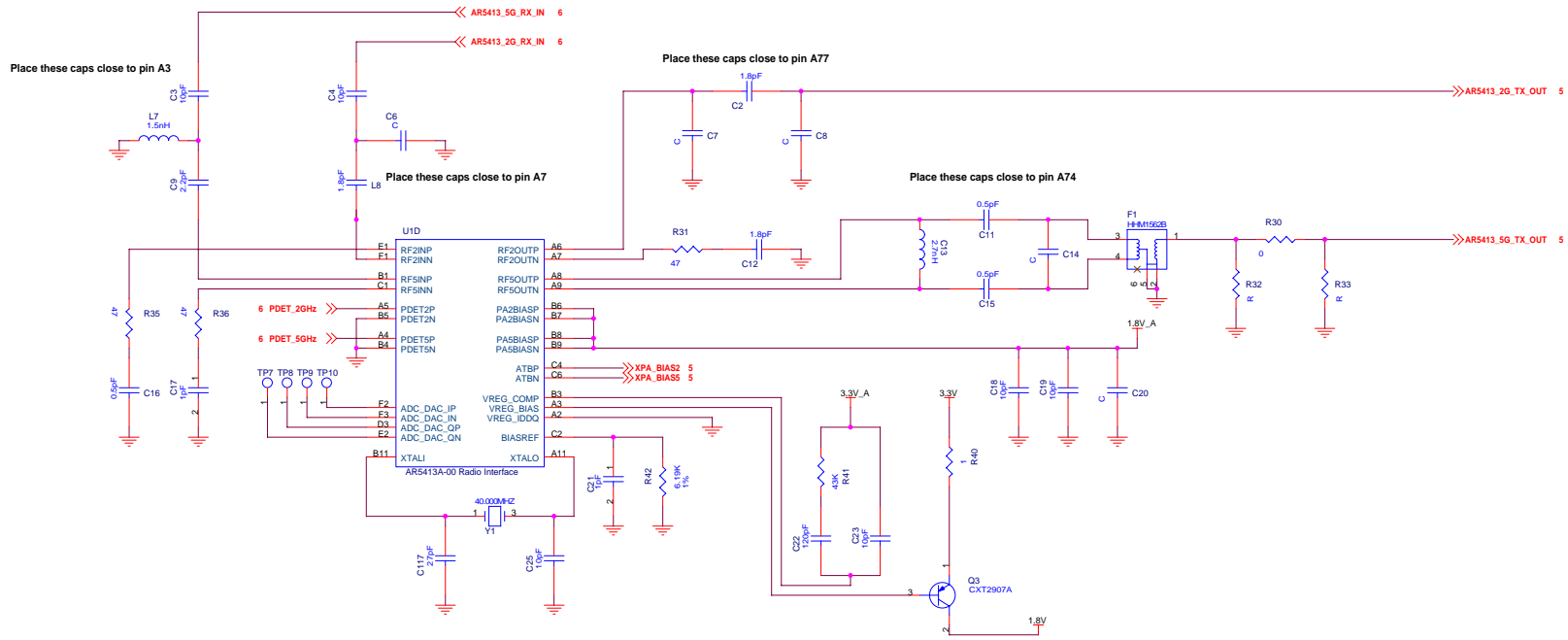
PRELIMINARY

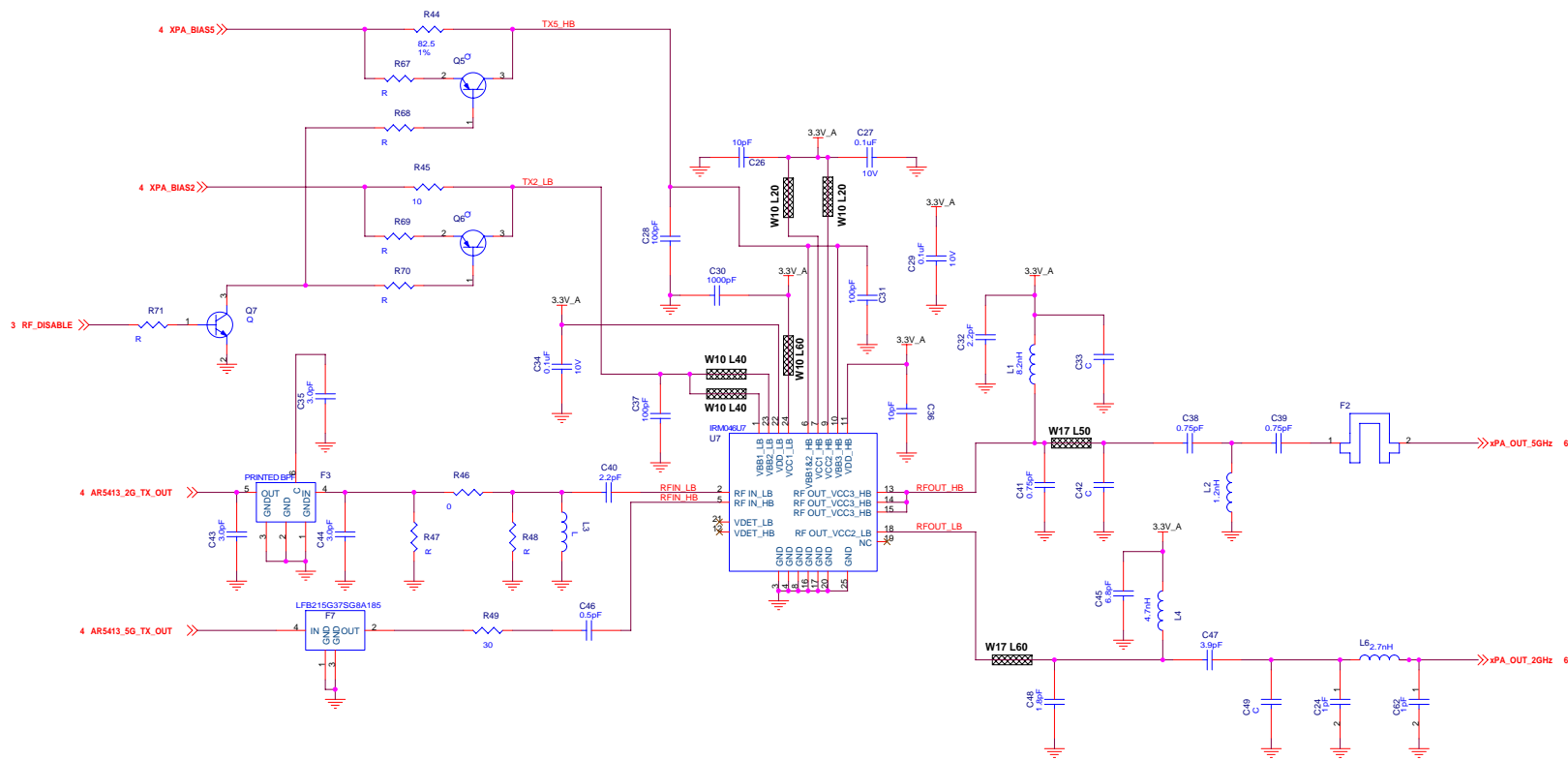


To Enable WAKE ON WLAN


- Stuff Q1 and Q2 with IRLML6401
- Stuff R26 and R21 with 10k
- Stuff R19 with 0ohm
- Stuff U5 with NC7WZ07
- Remove R24

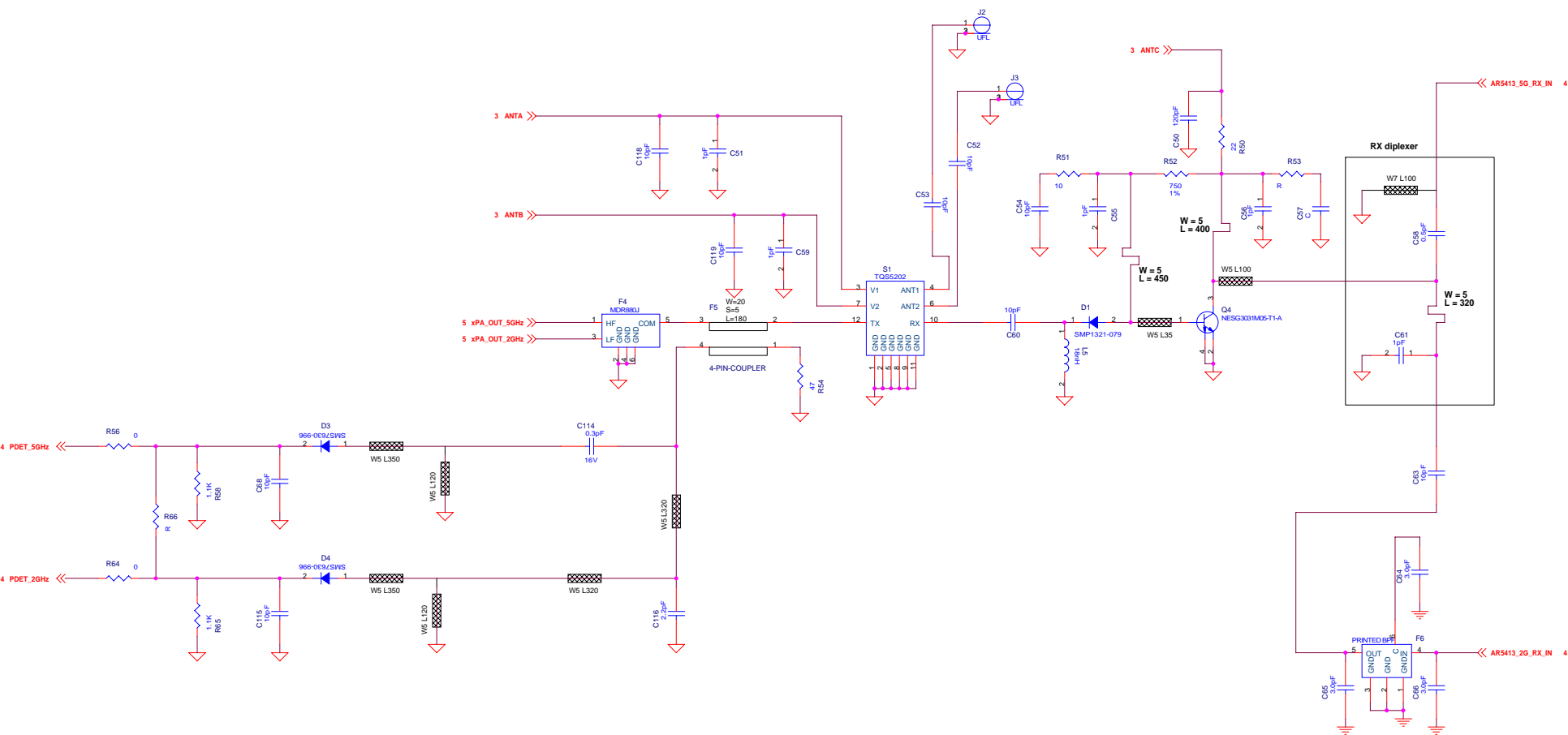
ATHEROS CONFIDENTIAL PRELIMINARY



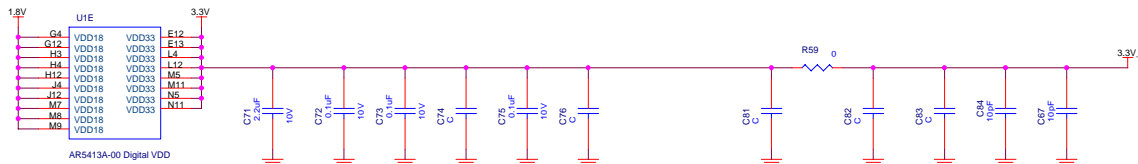


**ATHEROS CONFIDENTIAL
PRELIMINARY**

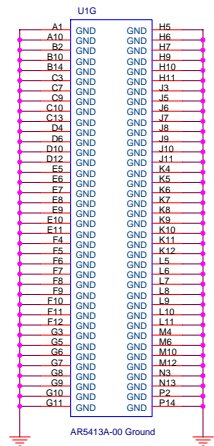
 Atheros Communications, Inc. 529 Almanor Avenue Sunnyvale, CA 94085		Title Mini PCI - Radio Front End	
Date	Tuesday, January 25, 2005	Size	C
Rev	000	Sheet	5 of 7
SWG NO 245-01316-052			



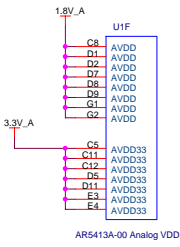
**ATHEROS CONFIDENTIAL
PRELIMINARY**



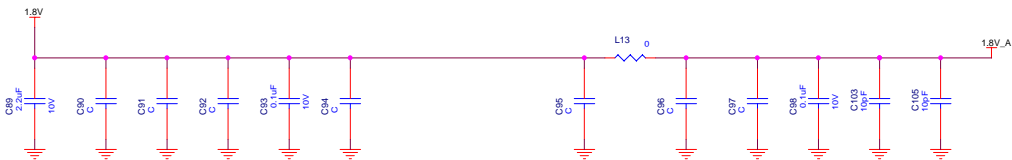
AR5413A-00 Digital VDD



AR5413A-00 Ground



AR5413A-00 Analog VDD



ATHEROS CONFIDENTIAL PRELIMINARY

