

Approval Sheet

Description: GPS/CDMA/WiFi Combo Antenna

Model No: AW-3C

Received & Approved by

ON 19 date 05 month 2005 year

※ This set of approval sheet contains 7 pages including cover page

9F, No. 105, Shi-Cheng Road, Pan-Chiao City (220), Taipei Hsien, Taiwan



新禾航電股份有限公司
SAN JOSE NAVIGATION, INC.

Tel : +886-2-2687-9500 Fax : +886-2-2687-8893
E-mail : sanav@ms7.hinet.net <http://www.sanav.com>

Approved by	Checked by	Issued by	
	Sam 5/19	Jenny	



SANJOSE NAVIGATION, INC.
Professional in Navigation & Communication

Quad-Band Antenna Series

AW-3C



User Manual

Version A

May 16 2005

© San Jose Navigation, Inc.

SANJOSE NAVIGATION, INC.
9F NO. 105 SHI-CHENG ROAD, PAN-CHIAO CITY
TAIPEI HSIEN, TAIWAN, R.O.C.
TEL: 886-2-26879500
FAX: 886-2-26878893
WWW.SANAV.COM



ISO 9001
NO. T2000-351

Content

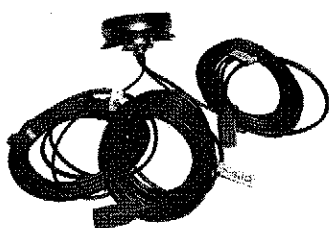
CHAPTER 1 OVER VIEW	1
1.1 PAGE CONTENTS	3
1.2 MECHANICAL DRAWINGS	4
CHAPTER 2 SPECIFICATION.....	5
CHAPTER 3 WARRANTY	6

Chapter 1 Overview

Quad-Band Antenna Series

MODEL: AW-3C

A combination of both GPS and AMPS antennas that is designed mainly to simplify the need for an AVL or Fleet Management antenna system

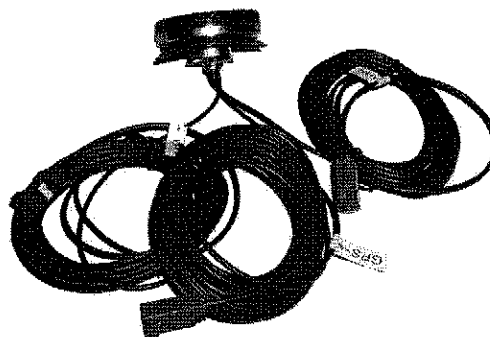


This AW-3C, a member of our mobile antenna series coming up with Quad-Band features, is designed to simplify the need for an AVL or Fleet Management antenna systems. It is the combination of high gain GPS, CDMA and WiFi antennas with a low profile and rugged structure.

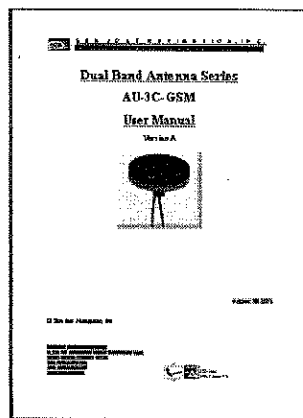
**Low Noise Figure/ Fully Weatherproof/ Ultra-high Sensitivity
/Compact Construction/ Excellent Temperature Stability**

1.1 Package Content

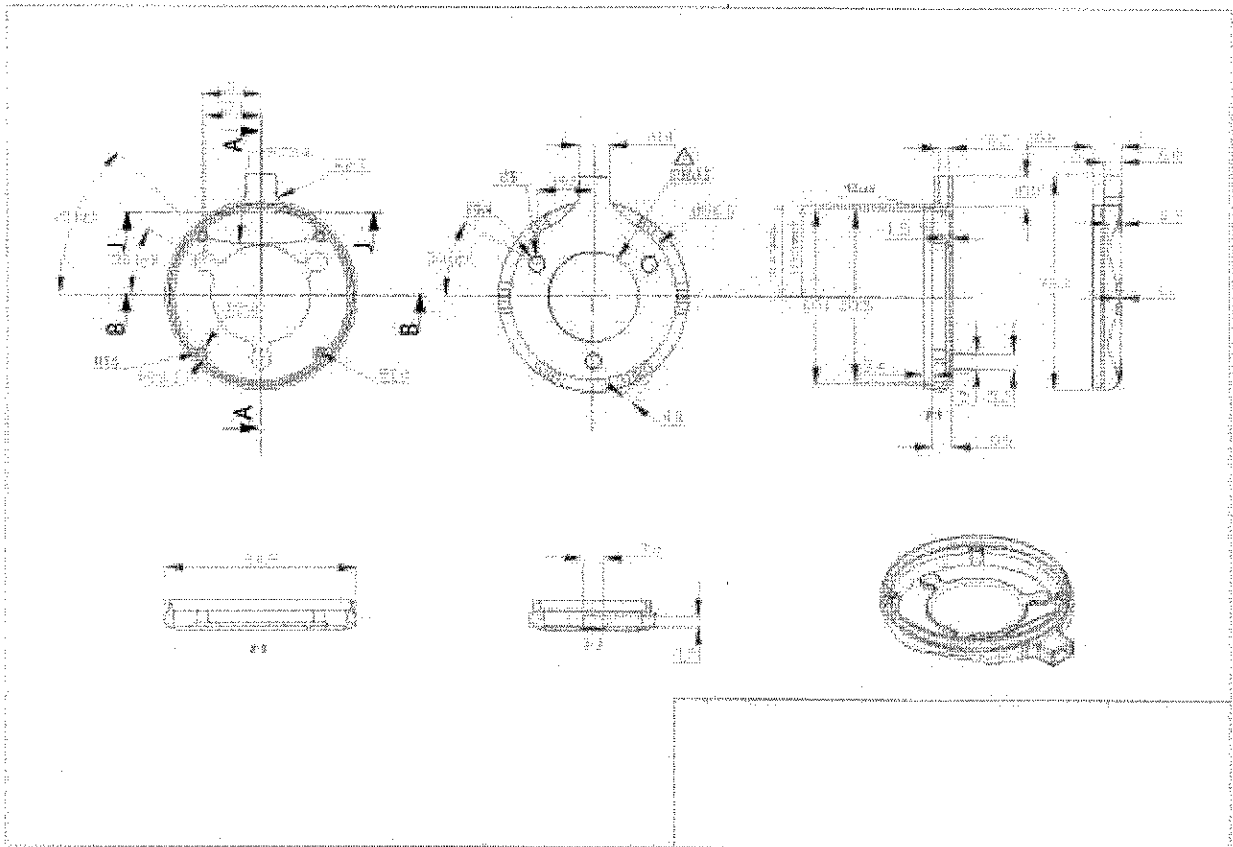
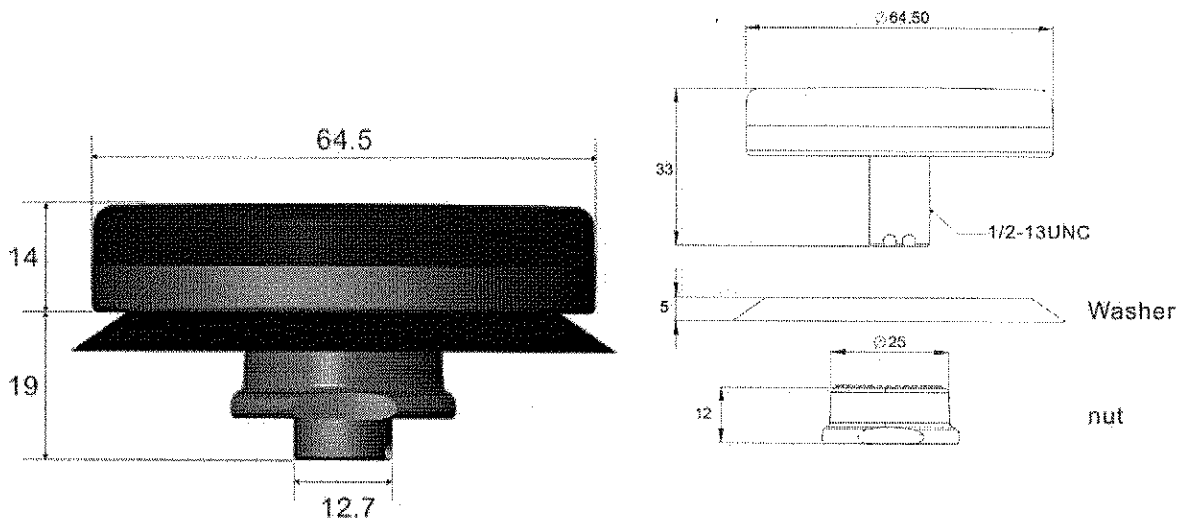
1. AW-3C Body (including a pair of Quad-Band cables) built in with a Quad-Band antenna



2. User Manual



1.2 Mechanical Drawings



Chapter 2 Specification

AW-3C SPECIFICATIONS			
	GPS Antenna	CDMA Antenna	WiFi Antenna
Features	Patch antenna with state-of-the-art low noise amplifier	Dual Band 850/1900 MHz	2.4GHz
Size	64.5mm(D) x 14mm(H)		
Frequency	1575.42 MHz	824 MHz ~ 894 MHz 1840 MHz ~ 2000 MHz	2.4G ~2.5G
Polarization	RHCP (right hand circular polarization)	Linear Polarization	Linear Polarization
Gain @ Antenna	26 dB typically	+2.0 dBi	+2.0 dBi
Noise Figure	1.5 max.	N/A	N/A
Attenuation	20dB min. @ F0+/-50MHz	N/A	N/A
Band Width	10 MHz	70 MHz for frequency of 824~ 894 MHz 160 MHz for frequency of 1840 ~ 2000 MHz	100 MHz for frequency of 2.4G ~ 2.5G
VSWR	< 1.5	< 1.5	< 1.5
Impedance	50 ohm	50 ohm	50 ohm
Power Supply	Power Consumption: 2.7~5.5 VDC / 13 mA	Power Handling Capacity: 10 W	Power Handling Capacity: 10 W
Cable & Connector	Blue Fakra SMB Plug	Violet Fakra SMB Plug	Green Fakra SMB Plug
Operating Temperature	-40°C ~+85°C	-40°C ~+85°C	-40°C ~+85°C
Storage Temperature	-45°C ~+100°C	-45°C ~+100°C	-45°C ~+100°C

Welcome custom design for GSM frequencies!

Chapter 3 WARRANTY

LIMITED WARRANTY

SANJOSE NAVIGATION, INC. expressly warrants that for a period of one (1) year from the date of purchase. Our accessories will be free of defects in material (parts) and workmanship (labor). Within the warranty period, a unit will be tested, repaired, or replaced at our option at no charge.

If your unit is out warranty, we will quote repair charges necessary to bring your unit up to factory standards.

THIS WARRANTY APPLIES ONLY TO ORIGINAL PURCHASE

Any unit under warranty should be shipped prepaid to our factory. Warranty replacements will take approximately ninety (90) days.

WARRANTY EXCLUSION

THE FOREGOING EXPRESS WARRANTY IS MADE IN LIEU OF ALL OTHER PRODUCT WARRANTIES, EXPRESSED AND IMPLIED, INCLUDING MERCHANTABILITY AND FITNESS FOR A PARTICULAR PURPOSE WHICH ARE SPECIFICALLY DISCLAIMED. The express warranty will not apply to defects or damage due to accidents, neglect, misuse, alterations, operator error, or failure to properly maintain, clean or repair products.

LIMIT OF LIABILITY

In no event will San Jose Navigation, Inc. or any seller will be responsible or liable for any injury, loss or damage, direct or consequential, arising out of the use or the inability to use the product. Before using, users shall determine in the suitability of the product for their intended use, and users assume all risk and liability whatsoever in connection therewith.

PURCHASER'S DUTIES

The purchaser must return the unit postpaid, with proof of the date of original purchase with the return address to:

SAN JOSE NAVIGATION, INC.

9F, No. 105, Shi-Cheng Road, Pan-Chiao City
Taipei Hsein, Taiwan, R.O.C.

TEL: 886-2-2687-9500, FAX: 886-2-2687-8893

SANJOSE NAVIGATION, INC. 9F NO. 105 SHI-CHENG ROAD, PAN-CHIAO CITY

TAIPEI HSIEN, TAIWAN, R.O.C.

TEL: 886-2-26879500

FAX: 886-2-26878893

WWW.SANAV.COM



ISO 9001
NO. T2000-351