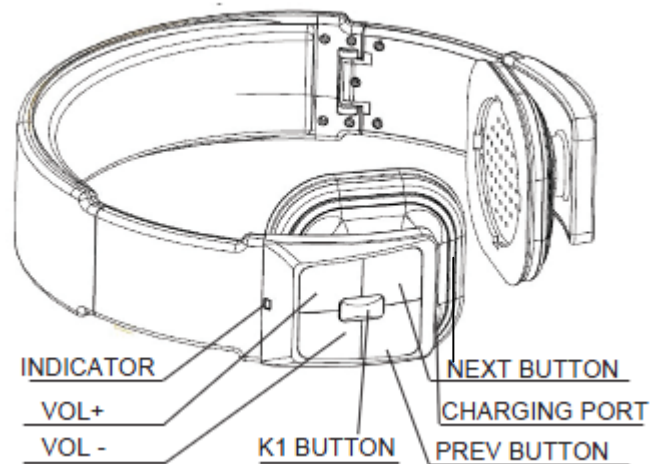


# Stereo Bluetooth Headphone with Mic

(Model No: BTK-28)

## User Manual



### Charging the headphone

Your headphone uses a rechargeable battery. You must charge the battery fully before using the headphone for the first time.



1. Plug the USB Cable into PC socket.
2. Connect the USB Cable with headphone as it shown on the picture. The red indicator of headset will turn on when charging.
3. When the battery is fully charged, the red indicator will turn blue.

#### Note:

- 1) When the headphone is in low battery, the indicator will flash red and you will hear a voice "Battery Low".
- 2) The headphone will be fully charged in approximately 3-4 hours.
- 3) Remove the USB cable from the PC socket

**IMPORTANT: The headphone can be used while charging.**

## BASIC OPERATIONS

### Turning the headphone on/off

#### 1. To turn the headphone on

Press and hold **K1 Button** for about 3 seconds, the indicator will flash blue for 1 second and you will hear a voice "Power on". The headphone is now turned on.

#### 2. To turn the headphone off

Press and hold **K1 Button** for about 2 seconds, the indicator will flash red for 1 second and you will hear a voice "Power off". The headphone is now turned off.

## Pairing

**Before using your headphone for the first time, you must pair it with your Bluetooth devices.**

1. Ensure that the headphone is turned off (see "To turn the headphone off" section). And the Bluetooth devices setting are activated.
  2. Press and hold **K1 Button** for about 5 seconds until the indicator light alternately flashes blue and red, and you will hear a voice "Pairing", now the headphone is under pairing mode.
  3. Set your Bluetooth devices to discover the speaker by following your devices' guide. Typically, the steps involve going to a 'Setup', 'Connect', or 'Bluetooth' menu on your devices and then selecting the option to discover Bluetooth devices.
  4. Your devices will find the headphone "**iFlavor BTK-28**" and ask if you want to pair with it. Confirm this by pressing the "Yes" or "OK" key.
  5. Enter a passkey or PIN code "0000" (4 zeros), then press the "Yes" or "OK" key.
- Note: If the Bluetooth version of your Bluetooth devices is up Bluetooth V2.1, you do not need to enter a Passkey (Pin code) during above pairing process.
6. You will hear a voice "connected", it means your devices have been connected with the headphone.

**IMPORTANT: If the pairing can't be completed within 90 seconds while the pairing mode is activated, which means the pairing is unsuccessful, please repeat Step 1 to Step 6 to pair the speaker with the Bluetooth devices again.**

## Pairing Your Headphone with Two Bluetooth Devices (Multipoint connecting)

**BTK-28 supports a Multipoint function to allow simultaneous pairing of the speaker with two Bluetooth devices.**

1. Follow the pairing procedure as instructed in "Pairing" section to pair the headphone with the first Bluetooth device.
2. Repeat the same pairing procedure on the second Bluetooth device.
3. On the first Bluetooth device's menu, activate its Bluetooth connection with the headphone.

## Play/Pause

1. Make sure that your devices connected with the headphone.
2. Find music in your devices and play, the song will play through the headphone.
3. Press **K1 Button** once when play, the song will stop. Press **K1 Button** again, the song will play again.

## Previous Song

Press "PREV" Button to back to the previous song.

## Next Song

Press "NEXT" Button to the next song.

## Adjusting the volume

1. Press "VOL-" to decrease the volume and you will hear a beep when it is minimum
2. Press "VOL+" to increase the volume and you will hear a beep when it is maximum.

## Making a call

1. Dial number on the keypad or select the contact name from the contact list of your mobile phone.
2. Press phone's "send/call" key.

## Voice Dialing

Please ensure your mobile phone supports voice dialing function and the voice tag assigned for this feature.

1. Press “VOL-” or “VOL+” Button for 2 seconds.
2. You’ll then hear a voice “Voice Dial”, say the name of the person you wish to call.
3. Press “VOL-” or “VOL+” Button for 2 seconds to stop the voice dialing.

## Ending a call

Shortly press **K1 Button** once to end a call

## Answering a call

### Connected with one mobile phone:

Shortly press **K1 Button** once to answer a call.

### Connected with two mobile phones:

1. Press **K1 Button** once to answer the second call but end the first call.
2. Press **K1 Button** twice to answer the second call and keep the first call.
3. Press **K1 Button** for 2 seconds to reject the second call but go on the first call.
4. Press **K1 Button** twice to transfer the two calls if the first mobile phone keep a call and the second mobile phone answer a call.

## Last number redialing

### Connected with one mobile phone:

Press **K1 Button** twice to make the last number redial, and you will hear a voice “Last Number Redial”.

### Connected with two mobile phones:

Press **K1 Button** twice to make the last number redial, and you will hear a voice “Last Number Redial”. This feature will be available on only one mobile phone which is firstly connected with mobile phone.

## Rejecting an incoming call

Press and hold **K1 Button** for 2 seconds to reject a call.

## Transferring a call

Speaker to phone: Press and hold **K1 Button** for 2 seconds during a call, then release it.

Phone to speaker: Press and hold **K1 Button** for 2 seconds during a call, then release it.

**Note: For different mobile phone setting, you could only transfer a call by press the mobile phone’s keypad. Depend on your phone type, the actual operation may vary.**

## Muting the Microphone

You can put a call on hold by muting the microphone.

To turn on/turn off the Muting Microphone function: Press the “VOL+” Button and “VOL-” Button at the same time.

## Delete the pairing records

When the headphone is on standby mode, press “VOL+” Button and “VOL-” Button for 5 seconds.

## Storage of the headphone

1. Always store the headphone with the power off and make sure it is safely protected.
2. Avoid storage at high temperatures (above 60°C) such as in a hot vehicle or in direct sunlight. (Storage at high temperatures can damage performance and reduces battery life).

3. Do not expose the headphone or any of its supplied parts to rain or other liquids.

## Specifications

Bluetooth Version 4.0

Bluetooth Profiles: HSP, HFP, A2DP and AVRCP

Connect with two Bluetooth devices at the same time

Operating Distance: up to 30 feet (10 meters)

Frequency response range: 20 Hz~20 kHz

Play time: Up to 10 hours

Talk time: Up to 10 hours

Standby time: Up to 800 hours

Charging time: 3-4 hours

Dimension:  $\varphi 174 \times 40.7 \times 160$ mm

Weight: 162g

Support voice prompt for MMI:

Power on/power off/pairing/last number redial/connected/disconnected/voice dial/battery low

## Correct disposal of this product



(Waste Electrical & Electronic Equipment) This marking shown on the product or its literature, indicates

that it should not be disposed with other household wastes at the end of its working life.

To prevent possible harm to the environment or human health from uncontrolled waste disposal, please separate this from other types of wastes and recycle it responsibly to promote the sustainable reuse of material resources. Household users should contact either the retailer where they purchased this product, or their local government office, for details of where and how they can take this item for environmentally safe recycling. Business users should contact their supplier and check the terms and conditions of the purchase contract. This product should not be mixed with other commercial wastes for disposal.

**Warning:** Changes or modifications to this unit not expressly approved by the party responsible for compliance could void the user's authority to operate the equipment.

**NOTE:** This equipment has been tested and found to comply with the limits for a Class B digital device, pursuant to Part 15 of the FCC Rules. These limits are designed to provide reasonable protection against harmful interference in a residential installation. This equipment generates, uses and can radiate radio frequency energy and, if not installed and used in accordance with the instructions, may cause harmful interference to radio communications.

However, there is no guarantee that interference will not occur in a particular installation. If this equipment does cause harmful interference to radio or television reception, which can be determined by turning the equipment off and on, the user is encouraged to try to correct the interference by one or more of the following measures:

- Reorient or relocate the receiving antenna.
- Increase the separation between the equipment and receiver.
- Connect the equipment into an outlet on a circuit different from that to which the receiver is connected.
- Consult the dealer or an experienced radio/TV technician for help.