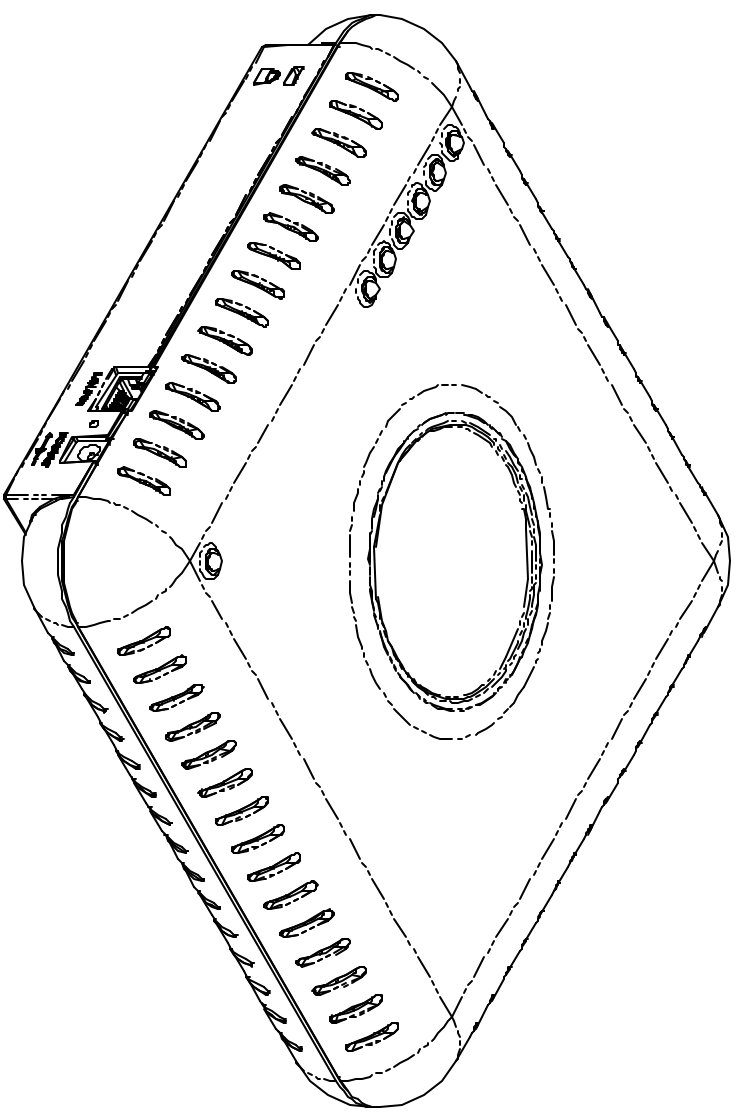
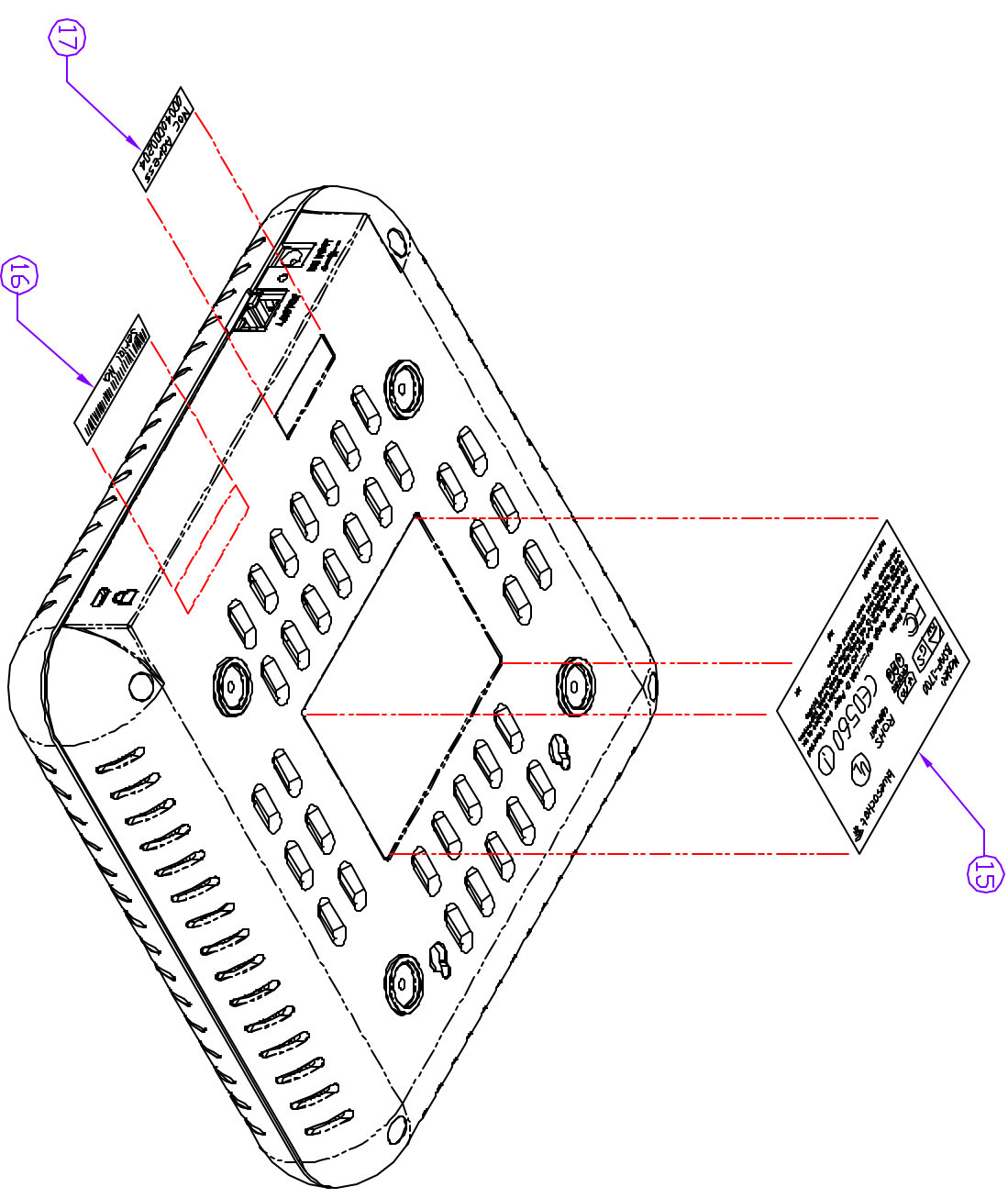


DATE	BY	REV	APPROVED
DRAWING			
SEE SHEET 1			



COMPLETED BSAP-1700

STEP 10:

PLACE ADHESIVE BACKED PRESSURE SENSITIVE PRODUCT/AGENCY LABEL (15) INTO INDENT PROVIDED ON BOTTOM OF CASE. PLACE ADHESIVE BACKED PRESSURE SENSITIVE BARCODE LABEL (16) APPROXIMATELY WHERE SHOWN ABOVE. PLACE ADHESIVE BACKED PRESSURE SENSITIVE MAC ADDRESS LABEL (17) INTO INDENT PROVIDED IN BOTTOM OF PLASTIC CASE.

REFER TO BLUESOCKET PRODUCT LABELING SPEC FOR THE MOST RECENT LABEL DESCRIPTIONS AND LAYOUT GUIDES.

blue socket	
TITLE ASSEMBLY DRAWING BSAP-1700 SYSTEM LEVEL	
SIZE: DWG: MD 870-01700-100	REV: 005
SCALE: NONE (AS BUILT) SHEET 7 OF 7	
REVISIONS NO. DATE BY REASON	REVISIONS NO. DATE BY REASON
1 2 3 4 5 6 7 8 9	1 2 3 4 5 6 7 8 9