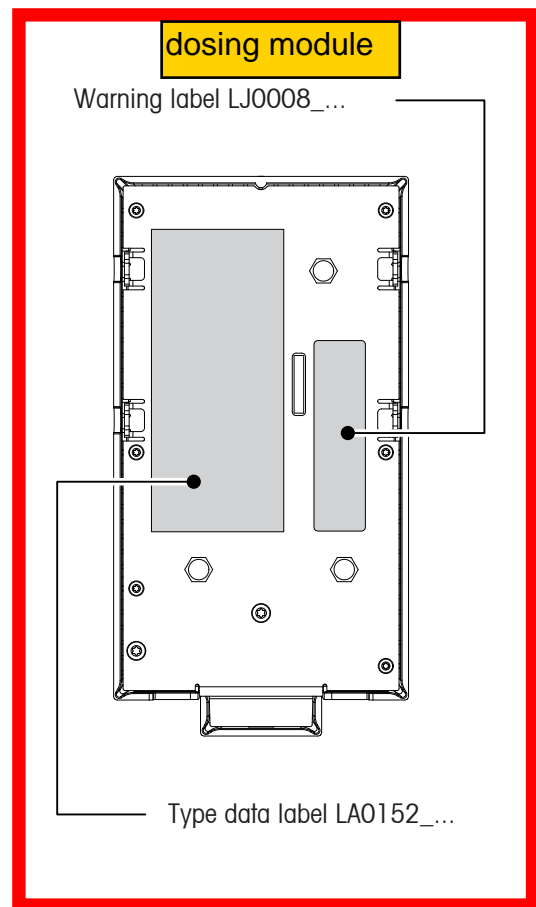
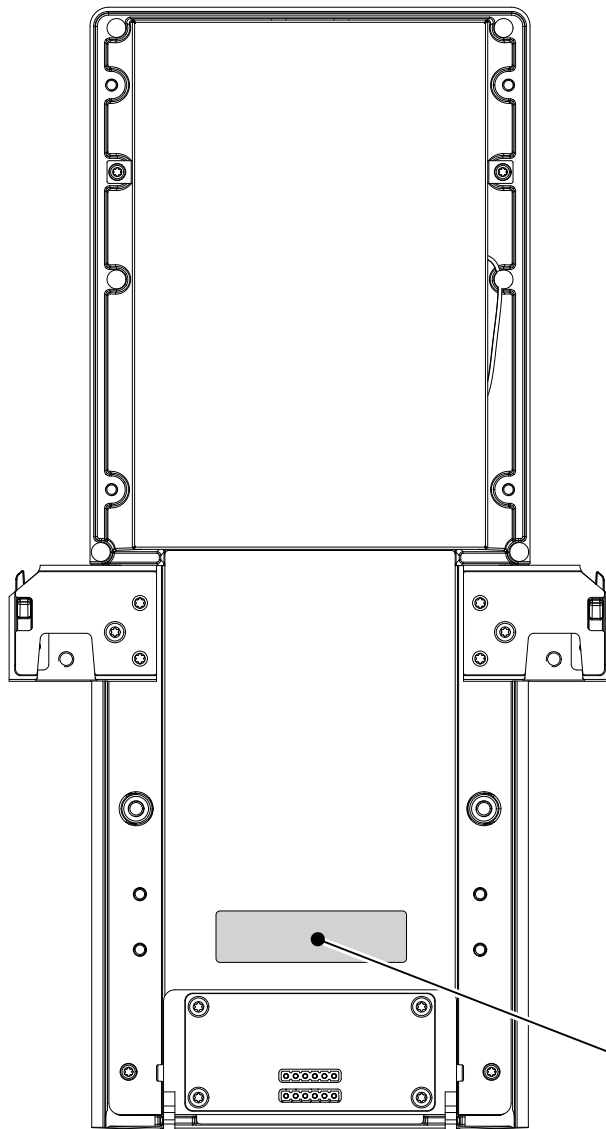


Code Number	Description
LA 0152_...	TypeDataLabel
LA 0153_...	TypeDataLabel
LJ 0008_...	Warning (FCC / ICES...)

Label categories	
Code	Label sets
LA	Type Data labels
LB	Legal for Trade labels
LC	Combilabels
LD	Auxiliary Type Data labels
LE	Auxiliary Legal for Trade labels
LF	Service labels
LG	Max-Min labels
LH	Indication labels
LJ	Warning labels
LK	Customer labels
LL	Patent labels
LM	Power Supply Type labels
LN	Special labels
LP	Type labels (Special devices)



Created	24.01.19	D. Frauenknecht	Manufacturer-Code	Compliance&Approvals	A4
Modified	30.08.19	M. Born	\\ch02sf001\Share\Groups\Laserschilder\Formulare\MakeUp\Z\Standort Schilder.....		

Mettler-Toledo GmbH
LabTec
8606 Greifensee

All rights on this document and its supplements are reserved. The receiver of this document accepts these rights and will not pass the documents to third parties without our primarily obtained written authorization, or use them for other than intended purposes.

Reference	Q3...
-----------	-------

Position of Labels dosing module	30498961 B
----------------------------------	------------

Replacement for	Replaced by	Page 1 of 1	METTLER TOLEDO
-----------------	-------------	-------------	----------------