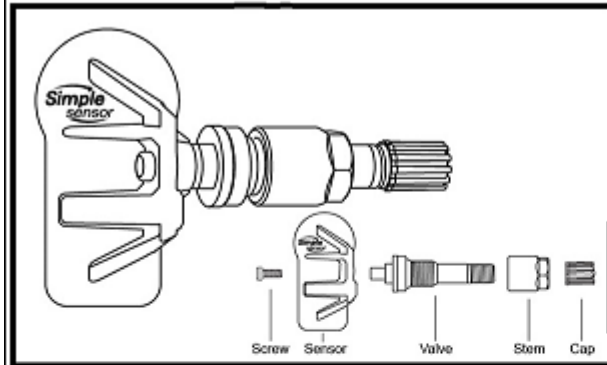
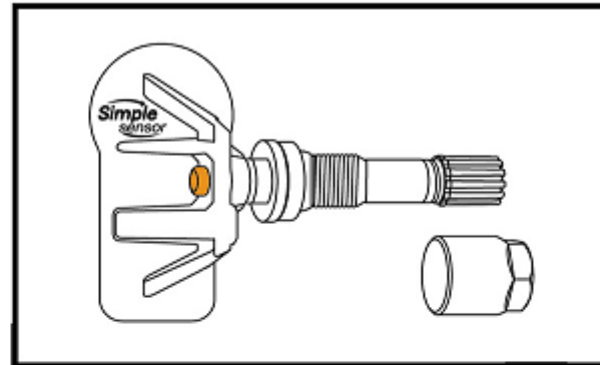


User Manual

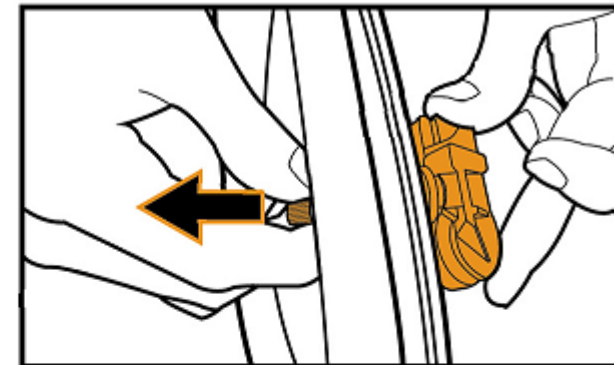
Clamp-In Metal Valve



Clamp-In Metal Valve

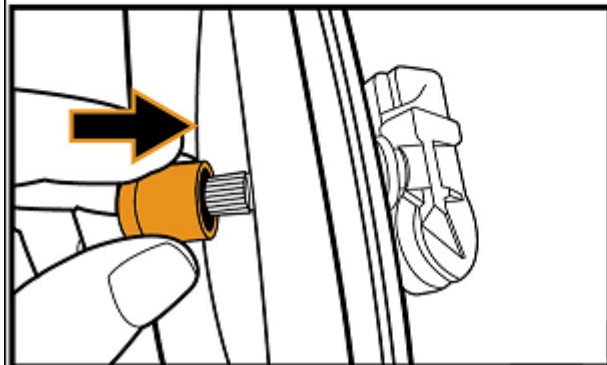


Step 1: Insert screw into valve stem tightly (1.3Nm)

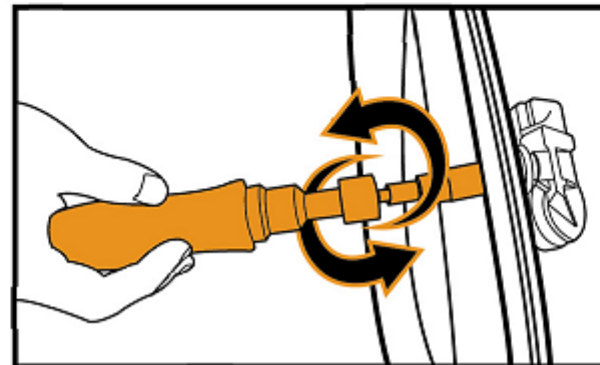


Step 2: Insert sensor into valve hole

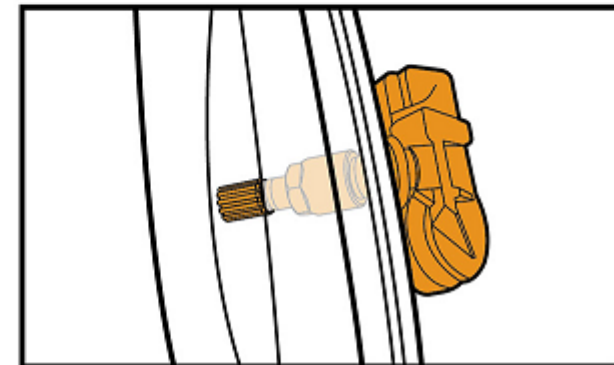
*Ensure sensor close on the surface of wheel alloy



Step 3: Insert nut into valve stem



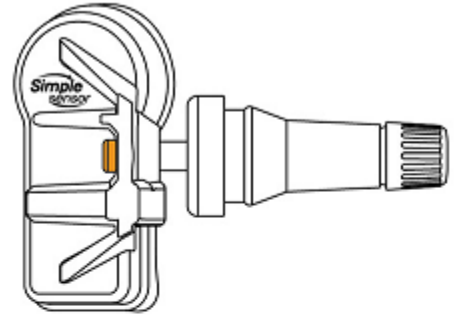
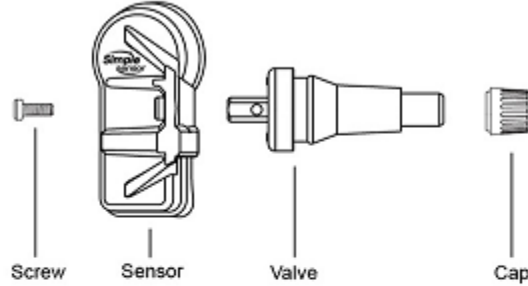
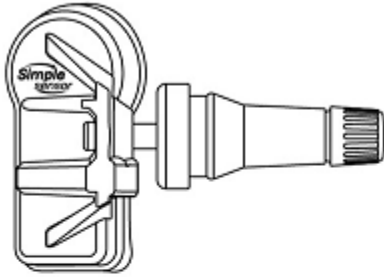
Step 4: Tighten nut into valve stem by screwdrivers (4 N.m)



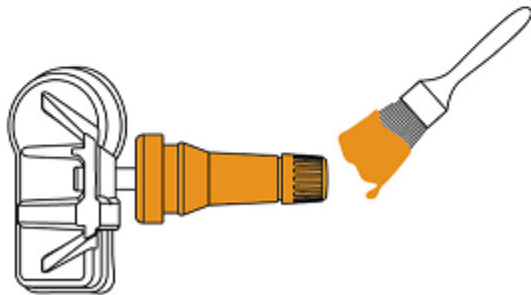
Installation finished

User Manual

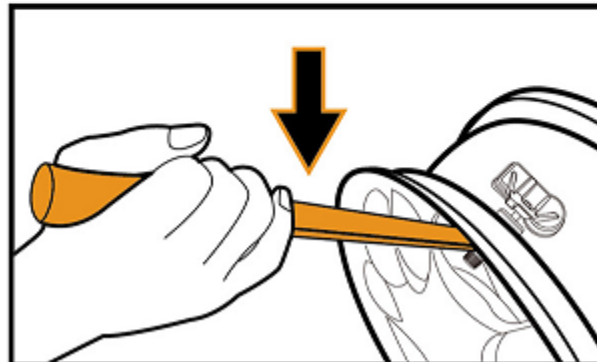
Snap-In Rubber Valve



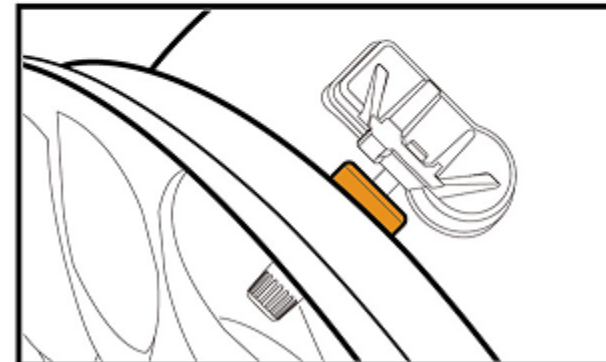
Step 1: Insert screw into valve stem tightly (1.3Nm)



Step 2: Wipe lubricant oil on valve stem



Step 3: Pull valve stem through the valve hole by wrench tool



Step 4: Ensure the end of valve stem touched the rim

FCC Statement

- **Federal Communication Commission Interference Statement**
- This equipment has been tested and found to comply with the limits for a Class B digital device, pursuant to Part 15 of the FCC Rules. These limits are designed to provide reasonable protection against harmful interference in a residential installation.
- This equipment generates, uses and can radiate radio frequency energy and, if not installed and used in accordance with the instructions, may cause harmful interference to radio communications. However, there is no guarantee that interference will not occur in a particular installation. If this equipment does cause harmful interference to radio or television reception, which can be determined by turning the equipment off and on, the user is encouraged to try to correct the interference by one of the following measures:
 - . Reorient or relocate the receiving antenna.
 - . Increase the separation between the equipment and receiver.
 - . Connect the equipment into an outlet on a circuit different from that to which the receiver is connected.
 - . Consult the dealer or an experienced radio/TV technician for help.
- **FCC Caution:** To assure continued compliance, any changes or modifications not expressly approved by the party responsible for compliance could void the user's authority to operate this equipment. (Example - use only shielded interface cables when connecting to computer or peripheral devices).
- This device complies with Part 15 of the FCC Rules. Operation is subject to the following two conditions:
- (1) This device may not cause harmful interference, and (2) This device must accept any interference received, including interference that may cause undesired operation.