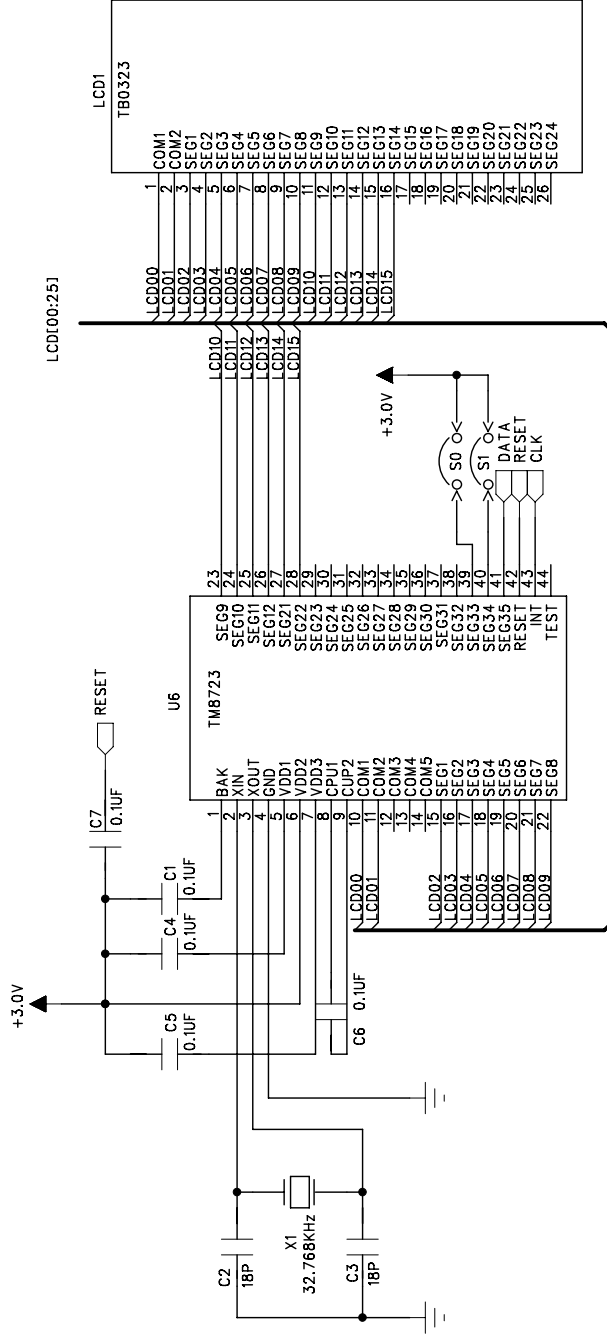


**COMPANY: ANSEN ELECTRONICS COMPANY**

**TITLE: R056-0 (MAIN UNIT)**

DRAWN: LDJ	DATE: 2008.06.23
CHECKED:	DATE:
APPROVED:	DATE:
RELEASED:	DATE:

CODE:	DRAWING NO:	REV: 0
SCALE:	SHEET: OF	



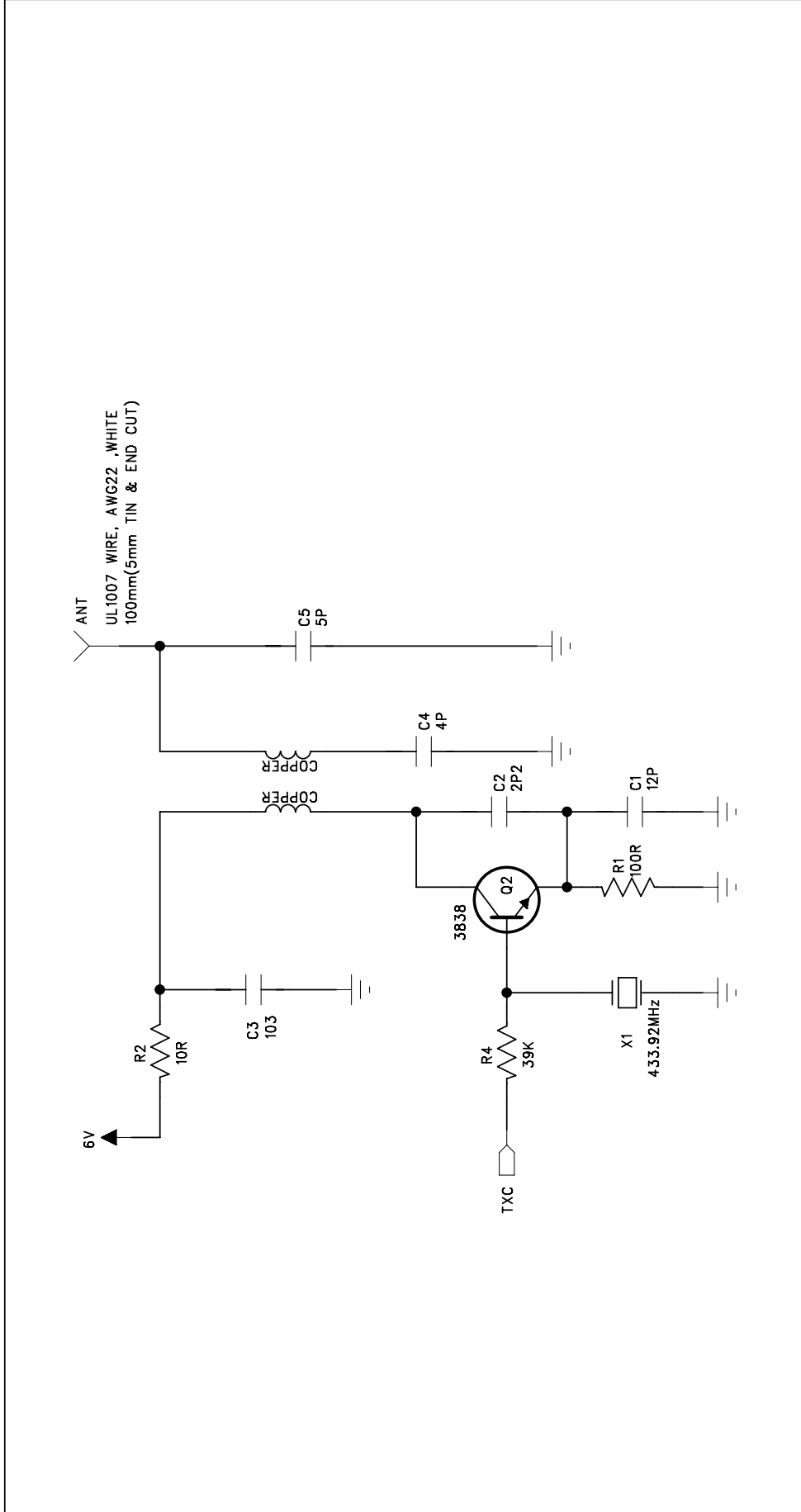
LCD1	S0	S1
TB0323	OPEN	OPEN

COMPANY: ANSEN ELECTRONICS COMPANY

TITLE: R056-0 (PROJECTOR UNIT)

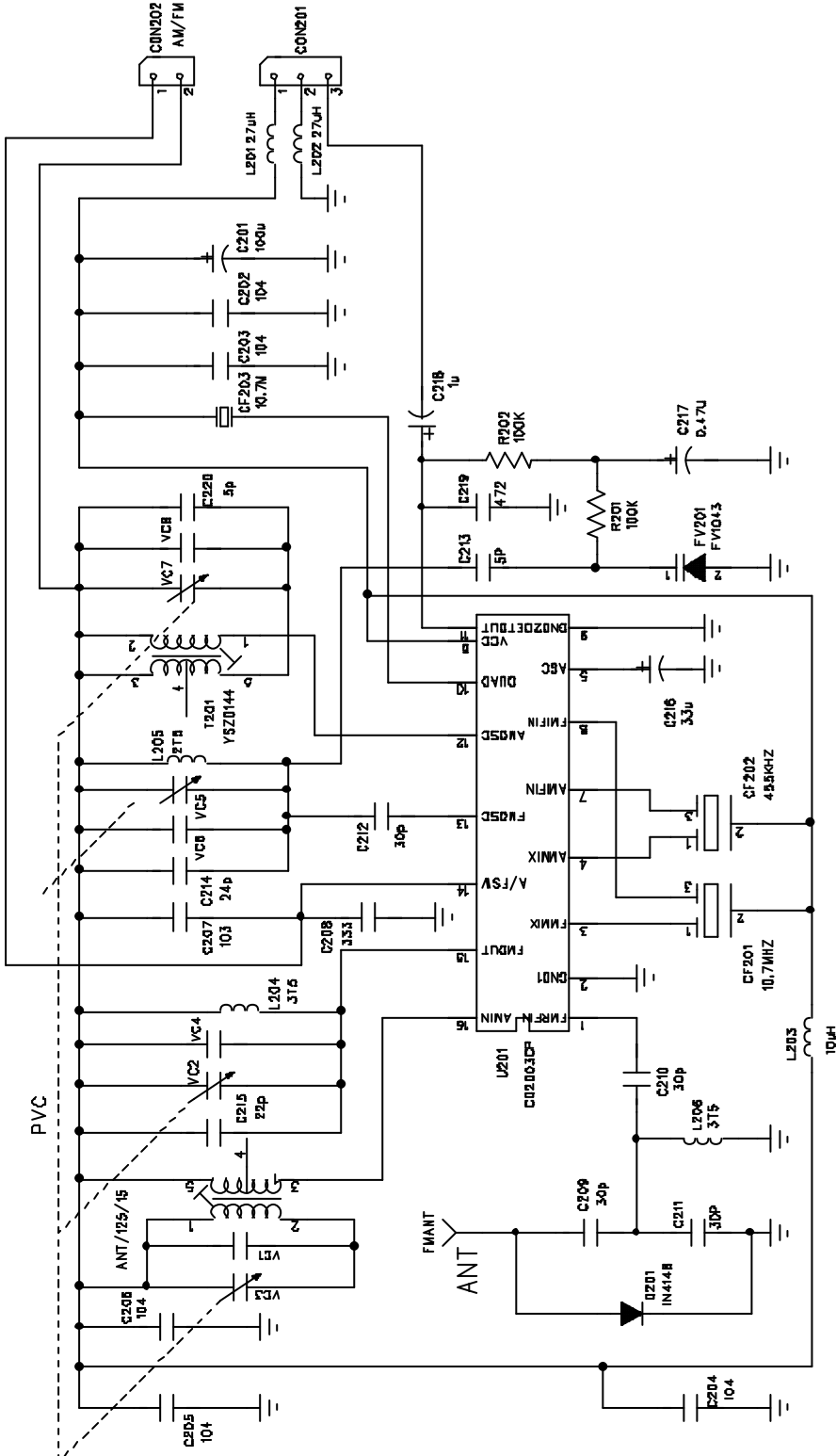
DRAWN: LDJ	DATE: 2008.06.23
CHECKED:	DATE:
APPROVED:	DATE:
RELEASED:	DATE:

CODE:	SIZE:	DRAWING NO:	REV: 0
SCALE:	SHEET:	OF	



<b>COMPANY: ANSEN ELECTRONICS COMPANY</b>			
<b>TITLE: R056-0 (TX UNIT)</b>			
DRAWN: LDJ	DATE: 2008.06.23	CODE:	SIZE:
CHECKED:	DATE:	DRAWING NO:	REV: 0
APPROVED:	DATE:	SCALE:	SHEET: OF
RELEASED:	DATE:		

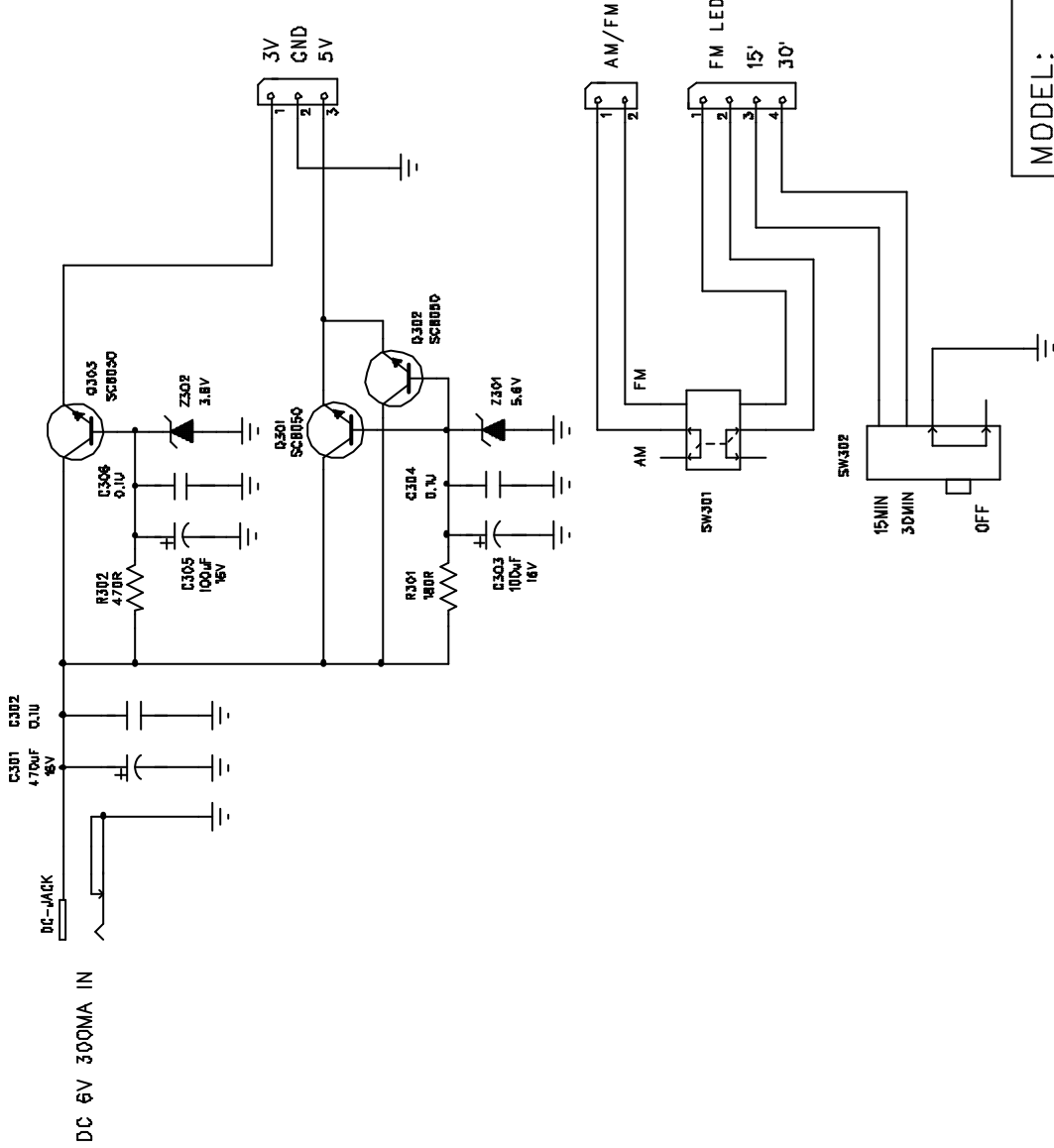
REVISION RECORD		DATE:
LTR	EQD NO:	APPROVED:



MODEL: R056	MAXTECH TECHNOLOGY LTD.	
PCB NAME:	TITLE: RADIO & CLOCK	
DRAWN:	MATERIAL:	REV: 0
CHECKED:	THICKEN:	SIZE: DQC NO. :
APPROVED:	UNIT:	A 4
DATE: 2008/06/10	FRB NO:	SCALE: 1:1
		SHEET: 7

REVISION RECORD

LTR	ECO NO.	APPROVED:	DATE:
1	C11:10P--15P		



MODEL:	ANSEN ELETRONICS COMPANY		
R056-0	TITLE: SELF-LEARNING		
DRAWN:	DATE:	SIZE:	DRAWING NO.
CHECKED:	DATE:	APPROVED:	REV: 0
APPROVED:	DATE:	SCALE: 1 : 1	SHEET: OF