

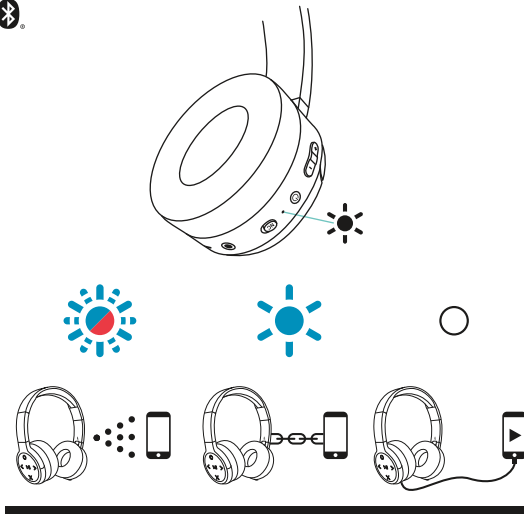
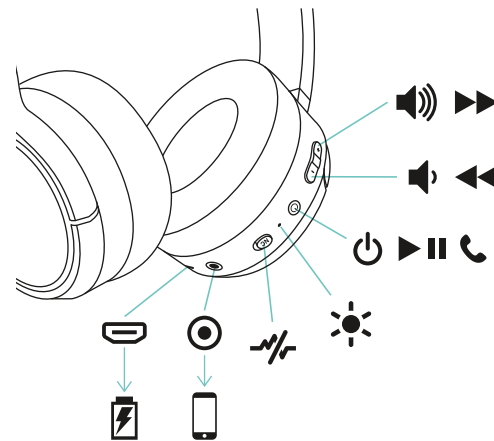
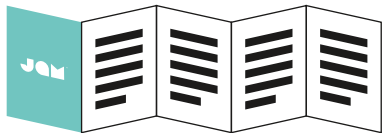


# TRUE WIRELESS TRAVEL ANC

HX-HP110  
Quick Start Guide  
Guide de démarrage rapide  
Guía de inicio rápido  
Schnellstartanleitung  
Guida rapida



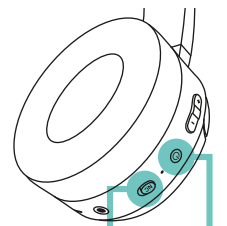
QS-HXHP110 © 2020 JAM. All Rights Reserved. JAM is trademark of HMDX.  
The Bluetooth® word mark and logos are registered trademarks owned by Bluetooth  
SIG, Inc. and any use of such marks by HMDX is under license. / Tous droits réservés /  
Todos derechos reservados / Alle Rechte vorbehalten / Tutti i diritti riservati



2 hrs



18 hrs + / 24 hrs

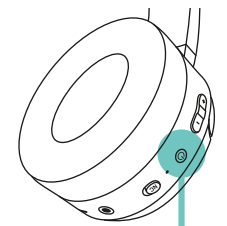


Power On + Bluetooth → ...2s

JAM Travel ANC

Play/Pause → ...1x

ANC On/Off → [Sun icon] [NC icon]

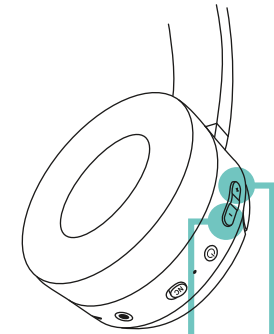


Answer Call → ...1x

End Call → ...1x

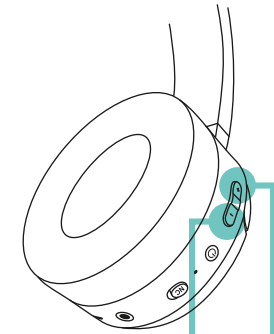
Pairing → ...2s

Reject Call → ...2s



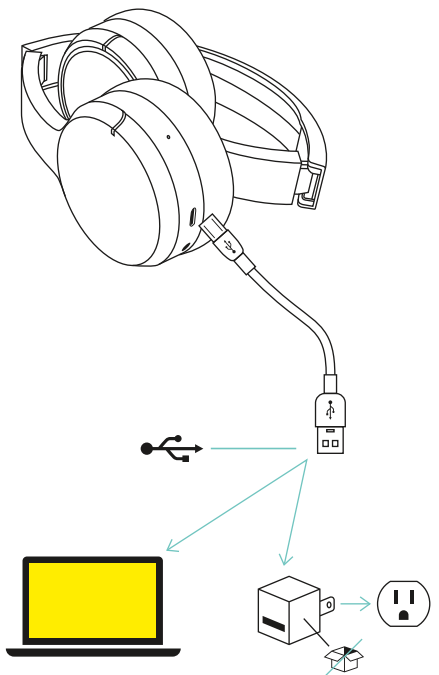
Volume Up → ...1x

Volume Down → ...1x



Next Track → ...2s

Previous Track → ...2s



no liability for any incidental, consequential, or special damages. 9. This warranty is only valid and enforceable in Australia and New Zealand. Making a Claim: In order to claim under this Warranty, you must return the Goods to the Supplier (place of purchase) or replacement. If this is not possible, please contact our Customer Relations department by email ([service@homedics.com.au](mailto:service@homedics.com.au)) or at the address below. All returned Goods must be accompanied by satisfactory proof of purchase that clearly indicates the name and address of the Supplier, the date and place of purchase, and identifies the product. It is best to provide an original, legible, and unmodified receipt or sales invoice. \*You must bear any expense for return of the Goods or otherwise associated with making your claim under this Additional Warranty. Distributed in Australia by **HOMEDICS AUSTRALIA PTY LTD**, 14 Kingsley Close, Rowville, Victoria 3178. Distributed in New Zealand by Phoenix Distribution NZ, Ltd, 4 Level Court, Albany, North Shore 0632, Auckland, NZ.

For service in Australia Email: [service@homedics.com.au](mailto:service@homedics.com.au) Tel: 1-888-202-0400 8:30am – 5:00pm AEST M-F [www.jam-audio.com.au](http://www.jam-audio.com.au)

**IMPORTANT SAFETY INSTRUCTIONS**
**READ ALL INSTRUCTIONS BEFORE USING.** WARNING: Listen responsibly. To avoid hearing damage, make sure you are not using headphones or earbuds when connecting headphones. After placing headphones on your ears, gradually turn up the volume until you reach a comfortable listening volume. • Use this product only for its intended purpose as described in this manual. Do not use attached accessories by JAM. • JAM is not liable for any damage caused to smartphones, iPod/iMP3 players, or any other devices. • Do not place or store this product where it can fall or be dropped into water. • Do not place or drop into water or any other liquid. • Not for use by children. THIS IS NOT A TOY. • Never operate this product if it has a damaged cord, plug, cable, or housing. • Keep away from heated surfaces. • Only set on dry surfaces. Do not place on surface wet from water or cleaning solvents.

**FCC RF Exposure Statement:** This equipment complies with FCC radiation exposure limits set forth for an uncontrolled environment. This transmitter must not be co-located or operating in conjunction with any other antenna or transmitter. **WARNING:** This product has an internal, non-replaceable Lithium battery. Please dispose in accordance with your local, state, province, and country guidelines. Batteries (battery pack or batteries installed) shall not be exposed to excessive heat such as sunshine, fire, or the like. **CAUTION:** All servicing of this product must be performed by authorized JAM Audio service personnel only. For complete user guide and to register your product, visit [www.jamaudio.com](http://www.jamaudio.com) (USA), or [canada.jamaudio.com](http://canada.jamaudio.com) (Canada), or <http://uk.jamaudio.com> (UK).

To prevent possible hearing damage, do not listen at high volume for long periods. • WEEE EXPLANATION This marking indicates that this product should not be disposed with other household wastes throughout the EU. To prevent possible harm to the environment or human health from uncontrolled waste disposal, recycle it responsibly to promote the sustainable reuse of material resources. **BATTERY DIRECTIVE** This symbol indicates that batteries must not be disposed of in the domestic waste as they contain substances which can be damaging to the environment and health. Please dispose of batteries in designated collection points.

**ISDC Caution:** This device complies with Innovation, Science, and Economic Development Canada licence-exempt RSS (standards). Operation is subject to the following two conditions: (1) this device may not cause interference, and (2) this device must accept any interference received, including interference that may cause undesired operation.

**FCC RF Exposure Statement:** This equipment complies with FCC radiation exposure limits set forth for an uncontrolled environment. This transmitter must not be co-located or operating in conjunction with any other antenna or transmitter.

**ISDC Caution:** This device is in compliance with RF exposure guidelines, users can obtain Canadian information on RF exposure and compliance.

1-YEAR LIMITED WARRANTY – US & CANADA

**WARRANTY – US & CANADA**
JAM warrants this product free from defect in material and workmanship for a period of 1 year from the date of purchase. This warranty does not cover damage caused by misuse or abuse; accident; the attachment of any unauthorized accessory; alteration to the product; or any other conditions whatsoever that are beyond the control of JAM. For detailed Warranty instructions and information, visit: <http://www.jamaudio.com/customer-support/warranty-1yr>. To obtain warranty service on your JAM product, contact a Consumer Relations representative by the telephone number or address for your country of residence. Please make sure to have the model number of the product available.

For service in the USA Email: [service@jamudio.com](mailto:service@jamudio.com) Tel: 1-888-802-0400 8:30am – 7:00pm EST M-F

For service in Canada Email: [service@homedicsgroup.ca](mailto:service@homedicsgroup.ca) Tel: 1-888-225-7378 8:30am – 5:00pm EST M-F

**WARRANTY – UK & EUROPE**
JAM warrants this product free from defect in material and workmanship for a period of 2 years from the date of purchase. This warranty does not cover damage caused by misuse or abuse; accident; the attachment of any unauthorized accessory; alteration to the product; or any other conditions whatsoever that are beyond the control of JAM. Distributed in the EU by FKA Brands Ltd, Somerville Business Park, Tonbridge, TN11 0GP, UK. Tel: 020 3538 0768. Email: [usupport@jamaudio.com](mailto:usupport@jamaudio.com).

**WARRANTY – AUSTRALIA**
1-YEAR LIMITED WARRANTY We or its means HoMedics Australia Pty Ltd or its agents only, we will repair at our own expense, subject to the terms and conditions of this guarantee. The warranty period is limited to 3 months from the date of purchase for products used commercially/professionally.

Terms and Conditions: In addition to the rights and remedies that you have under the Australian Consumer Law, Consumer Guarantees Act of New Zealand or any other applicable law and without excluding such rights and remedies wherever applicable. 1. The Goods are designed to withstand the rigors of normal household use and are manufactured to the highest standards using the highest quality components. Whilst, unlikely, if during the first 12 months (3 months after the date of purchase for materials only, we will repair at our own expense, subject to the terms and conditions of this guarantee. It is our own expense, subject to the terms and conditions of this guarantee. If the Goods have been damaged due to misuse or abuse, accident, the attachment of any unauthorised accessory, alteration to the product, improper installation, unauthorised repairs or modifications, improper use of electrical power supply, loss of power, malfunction, or damage of an operating part from failure to provide manufacturer's recommended maintenance, transportation damage, theft, neglect, vandalism, environmental conditions, or any other conditions whatsoever that are beyond our control or beyond the control of JAM. 3. This Warranty does not extend to the purchase of used, repaired, or secondhand products, or to products not imported or supplied by HoMedics Australia Pty Ltd, including but not limited to those sold on online internet sales sites. 4. This Warranty extends only to consumers and does not extend to Suppliers. 5. Even when we do not have to replace the Goods, we may decide to do so anyway. In some cases, we may decide to substitute the Goods with a similar alternative product of our choosing. All such decisions are at our absolute discretion.

6. All such replaced or substituted Goods continue to receive the benefit of this Additional Warranty for the time remaining on the original Warranty Period (or 3 months, whichever is the longest). 7. This Additional Warranty does not cover items damaged by normal wear and tear, including but not limited to chips, scratches, abrasions, discoloration, and other minor defects, where the damage has negligible effect on the operation or performance of the Goods. 8. This Additional Warranty is limited to replacement or substitution only. As far as the law permits, we will not be liable for any loss or damage caused to property or persons arising from any cause whatsoever, and shall have

no liability for any incidental, consequential, or special damages.

9. This warranty is only valid and enforceable in Australia and New Zealand. Making a Claim: In order to claim under this Warranty, you must return the Goods to the Supplier (place of purchase) or replacement. If this is not possible, please contact our Customer Relations department by email ([service@homedics.com.au](mailto:service@homedics.com.au)) or at the address below. All returned Goods must be accompanied by satisfactory proof of purchase that clearly indicates the name and address of the Supplier, the date and place of purchase, and identifies the product. It is best to provide an original, legible, and unmodified receipt or sales invoice. \*You must bear any expense for return of the Goods or otherwise associated with making your claim under this Additional Warranty. Distributed in Australia by **HOMEDICS AUSTRALIA PTY LTD**, 14 Kingsley Close, Rowville, Victoria 3178. Distributed in New Zealand by Phoenix Distribution NZ, Ltd, 4 Level Court, Albany, North Shore 0632, Auckland, NZ.

For service in Australia Email: [service@homedics.com.au](mailto:service@homedics.com.au) Tel: 1-888-202-0400 8:30am – 5:00pm AEST M-F [www.jam-audio.com.au](http://www.jam-audio.com.au)

**IMPORTANT SAFETY INSTRUCTIONS**
**READ ALL INSTRUCTIONS BEFORE USING.** WARNING: Listen responsibly. To avoid hearing damage, make sure you are not using headphones or earbuds when connecting headphones. After placing headphones on your ears, gradually turn up the volume until you reach a comfortable listening volume. • Use this product only for its intended purpose as described in this manual. Do not use attached accessories by JAM. • JAM is not liable for any damage caused to smartphones, iPod/iMP3 players, or any other devices. • Do not place or store this product where it can fall or be dropped into water. • Do not place or drop into water or any other liquid. • Not for use by children. THIS IS NOT A TOY. • Never operate this product if it has a damaged cord, plug, cable, or housing. • Keep away from heated surfaces. • Only set on dry surfaces. Do not place on surface wet from water or cleaning solvents.

**WARNING:** This product has an internal, non-replaceable Lithium battery. Please dispose in accordance with your local, state, province, and country guidelines. Batteries (battery pack or batteries installed) shall not be exposed to excessive heat such as sunshine, fire, or the like. **CAUTION:** All servicing of this product must be performed by authorized JAM Audio service personnel only. For complete user guide and to register your product, visit [www.jamaudio.com](http://www.jamaudio.com) (USA), or [canada.jamaudio.com](http://canada.jamaudio.com) (Canada), or <http://uk.jamaudio.com> (UK).

To prevent possible hearing damage, do not listen at high volume for long periods. • WEEE EXPLANATION This marking indicates that this product should not be disposed with other household wastes throughout the EU. To prevent possible harm to the environment or human health from uncontrolled waste disposal, recycle it responsibly to promote the sustainable reuse of material resources. **BATTERY DIRECTIVE** This symbol indicates that batteries must not be disposed of in the domestic waste as they contain substances which can be damaging to the environment and health. Please dispose of batteries in designated collection points.

**ISDC Caution:** This device is in compliance with RF exposure guidelines, users can obtain Canadian information on RF exposure and compliance.

1-YEAR LIMITED WARRANTY – US & CANADA

**WARRANTY – US & CANADA**
JAM warrants this product free from defect in material and workmanship for a period of 1 year from the date of purchase. This warranty does not cover damage caused by misuse or abuse; accident; the attachment of any unauthorized accessory; alteration to the product; or any other conditions whatsoever that are beyond the control of JAM. For detailed Warranty instructions and information, visit: <http://www.jamaudio.com/customer-support/warranty-1yr>. To obtain warranty service on your JAM product, contact a Consumer Relations representative by the telephone number or address for your country of residence. Please make sure to have the model number of the product available.

For service in the USA Email: [service@jamudio.com](mailto:service@jamudio.com) Tel: 1-888-802-0400 8:30am – 7:00pm EST M-F

For service in Canada Email: [service@homedicsgroup.ca](mailto:service@homedicsgroup.ca) Tel: 1-888-225-7378 8:30am – 5:00pm EST M-F

**WARRANTY – UK & EUROPE**
JAM warrants this product free from defect in material and workmanship for a period of 2 years from the date of purchase. This warranty does not cover damage caused by misuse or abuse; accident; the attachment of any unauthorized accessory; alteration to the product; or any other conditions whatsoever that are beyond the control of JAM. Distributed in the EU by FKA Brands Ltd, Somerville Business Park, Tonbridge, TN11 0GP, UK. Tel: 020 3538 0768. Email: [usupport@jamaudio.com](mailto:usupport@jamaudio.com).

**WARRANTY – AUSTRALIA**
1-YEAR LIMITED WARRANTY We or its means HoMedics Australia Pty Ltd or its agents only, we will repair at our own expense, subject to the terms and conditions of this guarantee. The warranty period is limited to 3 months from the date of purchase for products used commercially/professionally.

Terms and Conditions: In addition to the rights and remedies that you have under the Australian Consumer Law, to a replacement or refund for a major failure and/or compensation for any other reasonably foreseeable loss or damage. You are also entitled to have the provisions of the Australian Consumer Law to have the Goods repaired or replaced if the goods fail to be of acceptable quality and the failure does not amount to a major failure. This is not a complete statement of your legal rights as a consumer. If you have any questions about your rights under the Australian Consumer Law, you should contact the Australian Consumer Law and Compensation Unit for further information. 2. The Goods are designed to withstand the rigors of normal household use and are manufactured to the highest standards using the highest quality components. Whilst, unlikely, if during the first 12 months (3 months after the date of purchase for materials only, we will repair at our own expense, subject to the terms and conditions of this guarantee. It is our own expense, subject to the terms and conditions of this guarantee. If the Goods have been damaged due to misuse or abuse, accident, the attachment of any unauthorised accessory, alteration to the product, improper installation, unauthorised repairs or modifications, improper use of electrical power supply, loss of power, malfunction, or damage of an operating part from failure to provide manufacturer's recommended maintenance, transportation damage, theft, neglect, vandalism, environmental conditions, or any other conditions whatsoever that are beyond our control or beyond the control of JAM. 3. This Warranty does not extend to the purchase of used, repaired, or secondhand products, or to products not imported or supplied by HoMedics Australia Pty Ltd, including but not limited to those sold on online internet sales sites. 4. This Warranty extends only to consumers and does not extend to Suppliers. 5. Even when we do not have to replace the Goods, we may decide to do so anyway. In some cases, we may decide to substitute the Goods with a similar alternative product of our choosing. All such decisions are at our absolute discretion.

6. All such replaced or substituted Goods continue to receive the benefit of this Additional Warranty for the time remaining on the original Warranty Period (or 3 months, whichever is the longest). 7. This Additional Warranty does not cover items damaged by normal wear and tear, including but not limited to chips, scratches, abrasions, discoloration, and other minor defects, where the damage has negligible effect on the operation or performance of the Goods. 8. This Additional Warranty is limited to replacement or substitution only. As far as the law permits, we will not be liable for any loss or damage caused to property or persons arising from any cause whatsoever, and shall have

no liability for any incidental, consequential, or special damages. 9. This warranty is only valid and enforceable in Australia and New Zealand. Making a Claim: In order to claim under this Warranty, you must return the Goods to the Supplier (place of purchase) or replacement. If this is not possible, please contact our Customer Relations department by email ([service@homedics.com.au](mailto:service@homedics.com.au)) or at the address below. All returned Goods must be accompanied by satisfactory proof of purchase that clearly indicates the name and address of the Supplier, the date and place of purchase, and identifies the product. It is best to provide an original, legible, and unmodified receipt or sales invoice. \*You must bear any expense for return of the Goods or otherwise associated with making your claim under this Additional Warranty. Distributed in Australia by **HOMEDICS AUSTRALIA PTY LTD**, 14 Kingsley Close, Rowville, Victoria 3178. Distributed in New Zealand by Phoenix Distribution NZ, Ltd, 4 Level Court, Albany, North Shore 0632, Auckland, NZ.

For service in Australia Email: [service@homedics.com.au](mailto:service@homedics.com.au) Tel: 1-888-202-0400 8:30am – 5:00pm AEST M-F [www.jam-audio.com.au](http://www.jam-audio.com.au)

**IMPORTANT SAFETY INSTRUCTIONS**
**READ ALL INSTRUCTIONS BEFORE USING.** WARNING: Listen responsibly. To avoid hearing damage, make sure you are not using headphones or earbuds when connecting headphones. After placing headphones on your ears, gradually turn up the volume until you reach a comfortable listening volume. • Use this product only for its intended purpose as described in this manual. Do not use attached accessories by JAM. • JAM is not liable for any damage caused to smartphones, iPod/iMP3 players, or any other devices. • Do not place or store this product where it can fall or be dropped into water. • Do not place or drop into water or any other liquid. • Not for use by children. THIS IS NOT A TOY. • Never operate this product if it has a damaged cord, plug, cable, or housing. • Keep away from heated surfaces. • Only set on dry surfaces. Do not place on surface wet from water or cleaning solvents.

**WARNING:** This product has an internal, non-replaceable Lithium battery. Please dispose in accordance with your local, state, province, and country guidelines. Batteries (battery pack or batteries installed) shall not be exposed to excessive heat such as sunshine, fire, or the like. **CAUTION:** All servicing of this product must be performed by authorized JAM Audio service personnel only. For complete user guide and to register your product, visit [www.jamaudio.com](http://www.jamaudio.com) (USA), or [canada.jamaudio.com](http://canada.jamaudio.com) (Canada), or <http://uk.jamaudio.com> (UK).

To prevent possible hearing damage, do not listen at high volume for long periods. • WEEE EXPLANATION This marking indicates that this product should not be disposed with other household wastes throughout the EU. To prevent possible harm to the environment or human health from uncontrolled waste disposal, recycle it responsibly to promote the sustainable reuse of material resources. **BATTERY DIRECTIVE** This symbol indicates that batteries must not be disposed of in the domestic waste as they contain substances which can be damaging to the environment and health. Please dispose of batteries in designated collection points.

**ISDC Caution:** This device is in compliance with RF exposure guidelines, users can obtain Canadian information on RF exposure and compliance.

1-YEAR LIMITED WARRANTY – US & CANADA

Coordonnées du service après-vente aux États Unis : Courriel : [service@jamudio.com](mailto:service@jamudio.com) Téléphone au Canada : 1-888-802-0400 Du lundi au vendredi de 8h 30 à 19 h (heure normale de l'Est)

**GARANTIE – ROYAUME-UNI ET EUROPE**
JAM garantit que ce produit est exempt de vice de matériau et de fabrication pendant une période de deux ans à compter de la date d'achat. Cette garantie ne couvre pas les dommages causés par une mauvaise utilisation ou un abus, un accident, la fixation de tout accessoire non autorisé, la modification du produit ou toute autre condition de quelque nature que ce soit hors du contrôle de JAM. Distribué en Australie par **HOMEDICS AUSTRALIA PTY LTD**, 14 Kingsley Close, Rowville, Victoria 3178. Distribué en Nouvelle Zélande par Phoenix Distribution NZ, Ltd, 4 Level Court, Albany, North Shore 0632, Auckland, NZ.

For service in Australia Email: [service@homedics.com.au](mailto:service@homedics.com.au) Tel: 1-888-202-0400 8:30am – 5:00pm AEST M-F [www.jam-audio.com.au](http://www.jam-audio.com.au)

**IMPORTANT SAFETY INSTRUCTIONS**
**READ ALL INSTRUCTIONS BEFORE USING.** WARNING: Listen responsibly. To avoid hearing damage, make sure you are not using headphones or earbuds when connecting headphones. After placing headphones on your ears, gradually turn up the volume until you reach a comfortable listening volume. • Use this product only for its intended purpose as described in this manual. Do not use attached accessories by JAM. • JAM is not liable for any damage caused to smartphones, iPod/iMP3 players, or any other devices. • Do not place or store this product where it can fall or be dropped into water. • Do not place or drop into water or any other liquid. • Not for use by children. THIS IS NOT A TOY. • Never operate this product if it has a damaged cord, plug, cable, or housing. • Keep away from heated surfaces. • Only set on dry surfaces. Do not place on surface wet from water or cleaning solvents.

**WARNING:** This product has an internal, non-replaceable Lithium battery. Please dispose in accordance with your local, state, province, and country guidelines. Batteries (battery pack or batteries installed) shall not be exposed to excessive heat such as sunshine, fire, or the like. **CAUTION:** All servicing of this product must be performed by authorized JAM Audio service personnel only. For complete user guide and to register your product, visit [www.jamaudio.com](http://www.jamaudio.com) (USA), or [canada.jamaudio.com](http://canada.jamaudio.com) (Canada), or <http://uk.jamaudio.com> (UK).

To prevent possible hearing damage, do not listen at high volume for long periods. • WEEE EXPLANATION This marking indicates that this product should not be disposed with other household wastes throughout the EU. To prevent possible harm to the environment or human health from uncontrolled waste disposal, recycle it responsibly to promote the sustainable reuse of material resources. **BATTERY DIRECTIVE** This symbol indicates that batteries must not be disposed of in the domestic waste as they contain substances which can be damaging to the environment and health. Please dispose of batteries in designated collection points.

**ISDC Caution:** This device is in compliance with RF exposure guidelines, users can obtain Canadian information on RF exposure and compliance.

1-YEAR LIMITED WARRANTY – US & CANADA

**WARRANTY – US & CANADA**
JAM warrants this product free from defect in material and workmanship for a period of 1 year from the date of purchase. This warranty does not cover damage caused by misuse or abuse; accident; the attachment of any unauthorized accessory; alteration to the product; or any other conditions whatsoever that are beyond the control of JAM. For detailed Warranty instructions and information, visit: <http://www.jamaudio.com/customer-support/warranty-1yr>. To obtain warranty service on your JAM product, contact a Consumer Relations representative by the telephone number or address for your country of residence. Please make sure to have the model number of the product available.

For service in the USA Email: [service@jamudio.com](mailto:service@jamudio.com) Tel: 1-888-802-0400 8:30am – 7:00pm EST M-F

For service in Canada Email: [service@homedicsgroup.ca](mailto:service@homedicsgroup.ca) Tel: 1-888-225-7378 8:30am – 5:00pm EST M-F

**WARRANTY – UK & EUROPE**
JAM warrants this product free from defect in material and workmanship for a period of 2 years from the date of purchase. This warranty does not cover damage caused by misuse or abuse; accident; the attachment of any unauthorized accessory; alteration to the product; or any other conditions whatsoever that are beyond the control of JAM. Distributed in the EU by FKA Brands Ltd, Somerville Business Park, Tonbridge, TN11 0GP, UK. Tel: 020 3538 0768. Email: [usupport@jamaudio.com](mailto:usupport@jamaudio.com).

**WARRANTY – AUSTRALIA**
1-YEAR LIMITED WARRANTY We or its means HoMedics Australia Pty Ltd or its agents only, we will repair at our own expense, subject to the terms and conditions of this guarantee. The warranty period is limited to 3 months from the date of purchase for products used commercially/professionally.

Terms and Conditions: In addition to the rights and remedies that you have under the Australian Consumer Law, to a replacement or refund for a major failure and/or compensation for any other reasonably foreseeable loss or damage. You are also entitled to have the provisions of the Australian Consumer Law to have the Goods repaired or replaced if the goods fail to be of acceptable quality and the failure does not amount to a major failure. This is not a complete statement of your legal rights as a consumer. If you have any questions about your rights under the Australian Consumer Law, you should contact the Australian Consumer Law and Compensation Unit for further information. 2. The Goods are designed to withstand the rigors of normal household use and are manufactured to the highest standards using the highest quality components. Whilst, unlikely, if during the first 12 months (3 months after the date of purchase for materials only, we will repair at our own expense, subject to the terms and conditions of this guarantee. It is our own expense, subject to the terms and conditions of this guarantee. If the Goods have been damaged due to misuse or abuse, accident, the attachment of any unauthorised accessory, alteration to the product, improper installation, unauthorised repairs or modifications, improper use of electrical power supply, loss of power, malfunction, or damage of an operating part from failure to provide manufacturer's recommended maintenance, transportation damage, theft, neglect, vandalism, environmental conditions, or any other conditions whatsoever that are beyond our control or beyond the control of JAM. 3. This Warranty does not extend to the purchase of used, repaired, or secondhand products, or to products not imported or supplied by HoMedics Australia Pty Ltd, including but not limited to those sold on online internet sales sites. 4. This Warranty extends only to consumers and does not extend to Suppliers. 5. Even when we do not have to replace the Goods, we may decide to do so anyway. In some cases, we may decide to substitute the Goods with a similar alternative product of our choosing. All such decisions are at our absolute discretion.

6. All such replaced or substituted Goods continue to receive the benefit of this Additional Warranty for the time remaining on the original Warranty Period (or 3 months, whichever is the longest). 7. This Additional Warranty does not cover items damaged by normal wear and tear, including but not limited to chips, scratches, abrasions, discoloration, and other minor defects, where the damage has negligible effect on the operation or performance of the Goods. 8. This Additional Warranty is limited to replacement or substitution only. As far as the law permits, we will not be liable for any loss or damage caused to property or persons arising from any cause whatsoever, and shall have

no liability for any incidental, consequential, or special damages. 9. This warranty is only valid and enforceable in Australia and New Zealand. Making a Claim: In order to claim under this Warranty, you must return the Goods to the Supplier (place of purchase) or replacement. If this is not possible, please contact our Customer Relations department by email ([service@homedics.com.au](mailto:service@homedics.com.au)) or at the address below. All returned Goods must be accompanied by satisfactory proof of purchase that clearly indicates the name and address of the Supplier, the date and place of purchase, and identifies the product. It is best to provide an original, legible, and unmodified receipt or sales invoice. \*You must bear any expense for return of the Goods or otherwise associated with making your claim under this Additional Warranty. Distributed in Australia by **HOMEDICS AUSTRALIA PTY LTD**, 14 Kingsley Close, Rowville, Victoria 3178. Distributed in New Zealand by Phoenix Distribution NZ, Ltd, 4 Level Court, Albany, North Shore 0632, Auckland, NZ.

For service in Australia Email: [service@homedics.com.au](mailto:service@homedics.com.au) Tel: 1-888-202-0400 8:30am – 5:00pm AEST M-F [www.jam-audio.com.au](http://www.jam-audio.com.au)

**IMPORTANT SAFETY INSTRUCTIONS**
**READ ALL INSTRUCTIONS BEFORE USING.** WARNING: Listen responsibly. To avoid hearing damage, make sure you are not using headphones or earbuds when connecting headphones. After placing headphones on your ears, gradually turn up the volume until you reach a comfortable listening volume. • Use this product only for its intended purpose as described in this manual. Do not use attached accessories by JAM. • JAM is not liable for any damage caused to smartphones, iPod/iMP3 players, or any other devices. • Do not place or store this product where it can fall or be dropped into water. • Do not place or drop into water or any other liquid. • Not for use by children. THIS IS NOT A TOY. • Never operate this product if it has a damaged cord, plug, cable, or housing. • Keep away from heated surfaces. • Only set on dry surfaces. Do not place on surface wet from water or cleaning solvents.

**WARNING:** This product has an internal, non-replaceable Lithium battery. Please dispose in accordance with your local, state, province, and country guidelines. Batteries (battery pack or batteries installed) shall not be exposed to excessive heat such as sunshine, fire, or the like. **CAUTION:** All servicing of this product must be performed by authorized JAM Audio service personnel only. For complete user guide and to register your product, visit [www.jamaudio.com](http://www.jamaudio.com) (USA), or [canada.jamaudio.com](http://canada.jamaudio.com) (Canada), or <http://uk.jamaudio.com> (UK).

To prevent possible hearing damage, do not listen at high volume for long periods. • WEEE EXPLANATION This marking indicates that this product should not be disposed with other household wastes throughout the EU. To prevent possible harm to the environment or human health from uncontrolled waste disposal, recycle it responsibly to promote the sustainable reuse of material resources. **BATTERY DIRECTIVE** This symbol indicates that batteries must not be disposed of in the domestic waste as they contain substances which can be damaging to the environment and health. Please dispose of batteries in designated collection points.

Coordonnées du service après-vente au Canada : Courriel : [service@homedicsgroup.ca](mailto:service@homedicsgroup.ca) Téléphone au Canada : 1-888-225-7378 Du lundi au vendredi de 8h 30 à 17 h (heure normale de l'Est)

**GARANTIE – VK & EUROPE**
JAM garanteert dat dit product vrij is van defecten in materiaal en uitvoering gedurende een periode van 2 jaar vanaf de datum van aankoop. Deze garantie dekt geen schade veroorzaakt door verkeerd gebruik of misbruik, ongeval; de bevestiging van alle ongeoorloofde accessoires; wijziging aan het product; of enige andere condities buiten de controle van JAM. Gedistribueerd in de EU door FKA Brands Ltd, Somerville Business Park, Tonbridge, TN11 0GP, UK. Email: [support.row@fkabrands.com](mailto:support.row@fkabrands.com).

**INSTRUCCIONES IMPORTANTES DE SEGURIDAD**
**LEA TODAS LAS INSTRUCCIONES ANTES DE USARLO.** ADVERTENCIA: Escuche responsablemente. Para evitar daños auditivos, asegúrese de que el volumen del dispositivo este en el nivel más bajo antes de conectar los auriculares. Escuche responsablemente el dispositivo. No lo conecte a un equipo que no esté diseñado para ello. Evite el uso de auriculares. Evolvementa hasta que alcance un volumen de audición confortable. • Utilice este producto solo para el uso previsto que se describe en este manual. No utilice aditamentos no recomendados por JAM. • JAM no es responsable de ningún daño causado a teléfonos inteligentes, reproductores iPod/iMP3, ni a ningún otro dispositivo. • No ponga ni guarde este producto donde puedan caerse o ser empujados a él. • No lo ponga ni lo deje caer en agua o en otros líquidos. • No debe ser utilizado por niños. ESTE NO ES UN JUGUETE. • Nunca opere este producto si el cable, el enchufe, o la carcasa están dañados. • Manténgalo alejado de superficies calientes. • Coloque solo sobre superficies secas. No lo coloque en una superficie mojada con agua o solentes de limpieza.

**LIRE TUTTE LE ISTRUZIONI ANVANT L'UTILISAZIONE**
**AVVERTISSEMENT : Écoutez de manière responsable.** Pour éviter les dommages auditifs, assurez-vous que le volume de votre appareil est abaissé avant de connecter le casque. Une fois le casque sur vos oreilles, augmentez progressivement le volume jusqu'à un niveau d'audition confortable. • Utilisez ce produit ne doit être utilisé qu'aux fins décrites dans ce manuel. Utilisez pas d'accessoires non recommandés par JAM. • JAM n'est pas responsable des dommages causés aux téléphones intelligents, iPod/iMP3 et tout autre appareil. • Ne placez pas ni rangez l'appareil à un endroit où il pourrait tomber dans un évier ou une baignoire. • Ne placez pas l'appareil ni le immerger dans de l'eau ou un autre liquide. • Ne mettez pas l'appareil pas être exposé aux parasites externes. CET APPAREIL N'EST PAS UN JOUET. • N'utilisez jamais de produit si le cordon, la fiche, le câble ou le boîtier sont endommagés. • Éloignez-le de surfaces chaudes. • Ne posez l'appareil que sur des surfaces sèches. Ne placez pas l'appareil sur des surfaces mouillées d'eau ou de solvants de nettoyage. • Ne placez ni n'storez pas ce produit où il peut tomber dans l'eau ou dans un autre liquide. • Ne pas l'utiliser par des enfants. • Ne placez pas l'appareil si le câble, le connecteur, le boîtier ou le logement des composants sont endommagés.

**ADVERTENCIA:** Este producto tiene una batería interna de litio no reemplazable. Por favor deséchela de acuerdo con las pautas locales, estatales, provinciales y nacionales. Las baterías (paquete de batería o baterías instaladas) no deberán exponerse al calor excesivo como la luz solar, el fuego o similares. **REEMPLAZO DE LA BATERÍA** Sus auriculares conectan a una batería recargable diseñada para durar toda la vida útil del producto. Sin embargo, es posible que necesite una batería de reemplazo, incluyente a Servicio para el Consumidor, donde le darán los detalles del servicio de reemplazo de la batería dentro de la garantía y fuera de ella. Este producto contiene piezas pequeñas que pueden presentar un peligro ahogamiento para los niños pequeños.

**PRECAUTION:** Todo el mantenimiento a este producto debe ser realizado únicamente por personal de servicio autorizado por JAM Audio. Para ver la guía del usuario completo y para registrar su producto, visite [www.jamaudio.com](http://www.jamaudio.com) (E.E.UU.) o [canada.jamaudio.com](http://canada.jamaudio.com) (Canada), o <http://uk.jamaudio.com> (Reino Unido).

• Per prevenir un posible daño en la audición, no escuche a un alto volumen por periodos prolongados.

**EXPLICACION SOBRE RESIDUOS DE APARATOS ELECTRÍCNOS Y ELECTRÓNICOS** • Esta marca indica que el producto no debe desecharse con otros residuos domésticos en la Unión Europea. Para evitar posibles daños al medio ambiente o a la salud humana debidos a la eliminación inadecuada de desechos electrónicos, recicle el aparato de manera responsable para fomentar la reutilización sostenible de los recursos materiales.

**DIRECTEZ DE LA BATERÍA** Este símbolo indica que las baterías no deben desecharse junto a la basura doméstica, ya que contienen sustancias que pueden ser dañinas para el medio ambiente y para la salud. Deseches las baterías en los puntos de recolección designados.

Por medio del presente, FKA Brands Ltd, declara que este dispositivo de radio cumple con los requerimientos esenciales y otras disposiciones relevantes de la Directriz 2014/53/EU. Puede obtener una copia de la Declaración de Conformidad en [uk.jamaudio.com/Doc](http://uk.jamaudio.com/Doc).

Per voorkoming van mogelijke gehoorschade niet luisteren met een hoog volume gedurende lange periodes. • AEEA UITLEG Dit merkteken geeft aan dat dit product niet mag worden weggegooid met ander huishoudelijk afval in de gehele EU. Ter voorkoming van mogelijke schade aan het milieu en de menselijke gezondheid door ongecontroleerd afvalverwijdering, wordt u deze verantwoordelijk te recyclen voor de bevordering van het duurzaam hergebruik van materiële middelen.

**BATTERIJRICHTLING** Dit symbool geeft aan dat batterijen niet mogen worden weggegooid met het huishoudelijk afval als zij stoffen bevatten die schadelijk zijn voor het milieu en de gezondheid. Doe batterijen ook af in weggooien in de daarvoor bestemde verzamelputten.

Herbii verklaart FKA Brands Ltd, dat dit radio-apparaat voldoet aan de essentiële vereisten en andere relevante bepalingen van Richtlijn 2014/53/EG. Een afschift van de Conformiteitsverklaring kan worden verkregen bij [uk.jamaudio.com/Doc](http://uk.jamaudio.com/Doc).

**DA**
**JURIDISKE OPLYSNINGER - LÆS DENNE BRUGERHÅNDEVLEDNING, GRUNDGIG, OG GEM VEDLÆGNINGEN TIL FREMTIDIG REFEJLENDING.**

**GARANTI – GROSSBRITANNIEN UND EUROPA**
JAM garantiert für zwei Jahre ab Kaufdatum, dass dieses Produkt frei von Material- und Verarbeitungsfehlern ist. Diese Garantie gilt nicht für Schäden aufgrund von Missbrauch, Unfällen, Unfällen, Unfällen, Unfällen, Unfällen eines unzulässigen Zubehörteils, Veränderungen am Produkt oder alle anderen Bedingungen, die sich der Kontrolle von JAM entziehen. Vertreiber in der EU: FKA Ltd, Somerville Business Park, Tonbridge, TN11 0GP, UK. E-Mail: [support@jamudio.de](mailto:support@jamudio.de).

**VOR DEM GEBRAUCH HINWEISE**
**WICHTIGES SICHERHEITSHINWEISE**

**VOR DEM GEBRAUCH ALLE ANLEITUNGEN LESEN**
**ACHTUNG:** Lassen Sie beim Hören Vernunft walten. Vor dem Anschließen der Kopfhörer auf jeden Fall die Lautstärke Ihres Geräts runterdrehen, um Hörschäden zu vermeiden. Nach dem Aufsetzen der Kopfhörer die Lautstärke langsam aufdrehen, bis die Lautstärke für Sie angenehm ist.

• Benutzen Sie dieses Produkt nur für den beabsichtigten Zweck gemäß Beschreibung in diesem Handbuch. Verwenden Sie kein Zubehör, das nicht vom JAM empfohlen wird. • JAM haftet nicht für Schäden an Smartphones, iPod-/iMP3-Player oder anderen Geräten. • Dieses Produkt nicht in Überfluten legen oder lag



