

RF Test Report

Applicant : Uniform Industrial Corp.

Product Name : Contactless Smart Card Reader

Trade Name : UIC

Model Number : UIC680EZ

Applicable Standard : FCC 47 CFR PART 15 SUBPART C
ANSI C63.10:2013

Received Date : Nov. 29, 2023

Test Period : Dec. 29, 2023 ~ Jan. 15, 2024

Issued Date : Jan. 19, 2024

Issued by

Eurofins E&E Wireless Taiwan Co., Ltd.
No. 140-1, Changan Street, Bade District,
Taoyuan City 334025, Taiwan (R.O.C.)
Tel : +886-3-2710188 / Fax : +886-3-2710190



Taiwan Accreditation Foundation accreditation number: 1330
Frequency Range: 9 kHz to 325 GHz
Test Firm Registration Number: 226252 (Bade test site)
Test Firm Registration Number: 191812 (Wugu test site)

Note:

1. The test results are valid only for samples provided by customers and under the test conditions described in this report.
2. This report shall not be reproduced except in full, without the written approval of Eurofins E&E Wireless Taiwan Co., Ltd.
3. The relevant information is provided by customers in this test report. According to the correctness, appropriateness or completeness of the information provided by the customer, if there is any doubt or error in the information which affects the validity of the test results, the laboratory does not take the responsibility.

Revision History

Rev.	Issued Date	Description	Revised By
00	Jan. 19, 2024	Initial Issue	Emma Chao

Verification of Compliance

Applicant : Uniform Industrial Corp.

Product Name : Contactless Smart Card Reader

Trade Name : UIC

Model Number : UIC680EZ

FCC ID : TFJUIC680EZ

Applicable Standard : FCC 47 CFR PART 15 SUBPART C
ANSI C63.10:2013

Test Result : Complied

Performing Lab. : Eurofins E&E Wireless Taiwan Co., Ltd.
No. 140-1, Changan Street, Bade District,
Taoyuan City 334025, Taiwan (R.O.C.)
Tel : +886-3-2710188 / Fax : +886-3-2710190



Taiwan Accreditation Foundation accreditation number: 1330

Eurofins E&E Wireless Taiwan Co., Ltd. tested the above equipment in accordance with the requirements set forth in the above standards. All indications of Pass/Fail in this report are opinions expressed by Eurofins E&E Wireless Taiwan Co., Ltd. based on interpretations and/or observations of test results. The test results show that the equipment tested is capable of demonstrating compliance with the requirements as documented in this report.

Approved By : _____

TABLE OF CONTENTS

1	General Information	5
1.1.	Summary of Test Result.....	5
1.2.	Testing Location.....	6
1.3.	Measurement Uncertainty.....	6
1.4.	Test Site Environment.....	6
2	EUT Description	7
3	Test Methodology	8
3.1.	Mode of Operation.....	8
3.2.	EUT Test Step.....	8
3.3.	Configuration of Test System Details.....	8
3.4.	Test Instruments.....	9
4	Measurement Procedure	11
4.1.	AC Power Line Conducted Emission Measurement.....	11
4.2.	Radiated Emission Measurement.....	13
4.3.	Frequency Stability Measurement.....	16
4.4.	20 dB Bandwidth Measurement.....	17
4.5.	Antenna Requirement.....	18
5	Test Results	19
5.1.	Conducted Emission.....	19
5.2.	Conducted Test Results.....	21
5.3.	Radiated Emission Measurement.....	23

Appendix A. Test Setup Photographs

1 General Information

1.1. Summary of Test Result

Standard	Item	Results	Remark
15.203	Antenna Requirement	Meet Require	---
15.207(a)	Conducted Emissions Voltage	PASS	---
15.225 (a), (b), (c), (d) 15.209	Radiated Emission Limits	PASS	---
15.225(e)	Frequency Stability	PASS	---
15.215(c)	20 dB Bandwidth	PASS	Fall in band F _L ≥ 13.553 MHz F _H ≤ 13.567 MHz
CFR 47 Part 15.225 / ANSI C63.10:2013			

Standard	Description
CFR47, Part 15, Subpart C	Intentional Radiators
ANSI C63. 10: 2013	American National Standard of Procedures for Compliance Testing of Unlicensed Wireless Devices

Decision Rule

Uncertainty is not included.

Uncertainty is included.

1.2. Testing Location

Lab Name: Eurofins E&E Wireless Taiwan Co., Ltd.
 Site Address: No. 140-1, Changan Street, Bade District, Taoyuan City 334025, Taiwan (R.O.C.)
 Site Address: No. 2, Wuquan 5th Rd. Wugu Dist., New Taipei City, Taiwan (R.O.C.)

1.3. Measurement Uncertainty

Test Item	Frequency	Uncertainty			
		BD		WG	
Conducted Emission	150 kHz ~ 30 MHz	2.7 dB		2.6 dB	
RF Bandwidth		4.5 %		4.5 %	
Frequency Stability		1.3 x 10 ⁻⁷		1.3 x 10 ⁻⁷	
Test Item	Frequency	Uncertainty			
		96601-BD	96603-BD	96602-WG	96603-WG
Radiated Emission	9 kHz ~ 30 MHz	1.9 dB	1.9 dB	1.6 dB	1.6 dB
	30 MHz ~ 1000 MHz	4.9 dB	4.9 dB	4.8 dB	4.8 dB
	1000 MHz ~ 18000 MHz	4.9 dB	5.0 dB	5.0 dB	5.2 dB
	18000 MHz ~ 26500 MHz	4.3 dB	4.4 dB	4.4 dB	4.5 dB
	26500 MHz ~ 40000 MHz	4.5 dB	4.5 dB	4.6 dB	4.5 dB

1.4. Test Site Environment

Items	Required (IEC 60068-1)	Interval(*)
Temperature (°C)	15-35	20-30
Humidity (%RH)	25-75	45-75

(*)The measurement ambient temperature is within this range.

2 EUT Description

The product specifications of the EUT presented in the report are declared by the manufacturer who shall take full responsibility for the authenticity

Applicant	Uniform Industrial Corp. 2901 Bayview Dr, Fremont, CA 94538
Product Name	Contactless Smart Card Reader
Trade Name	UIC
Model Number	UIC680EZ
FCC ID	TFJUIC680EZ
Frequency Range	13.56 MHz
Modulation Type	ASK
Number of Channels	1 Channel
Data Rate	Type A: 106 kbit/s Type B: 106 kbit/s Type F: 212/424 kbit/s Type V: 26.48 kbit/s
Antenna Type	Loop Antenna
Operate Temp. Range	-30 ~ +70 °C
EUT Power Rating	DC 5 V, 500 mA

Note : All measurements were performed radiated and therefore additional antenna gain is not required.

3 Test Methodology

3.1. Mode of Operation

The following test mode(s) were scanned during the preliminary test :

Test Mode
Transmit Mode
Continuous TX Mode

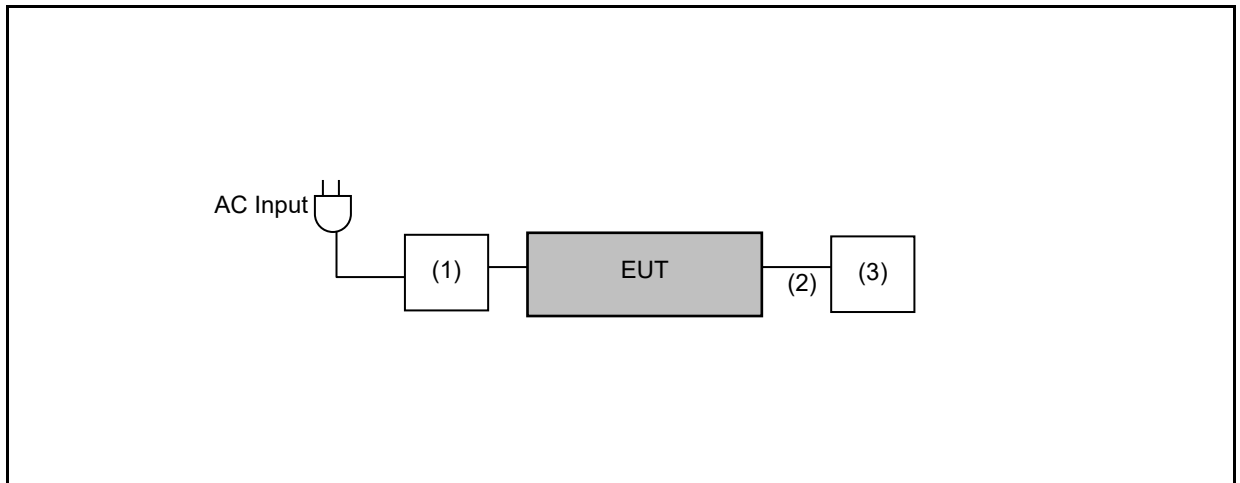
The EUT had been pre-tested on Type A, Type B, Type F, Type V. The worst case was found when data rate was Type A and chosen for final test.

Eurofins has verified the construction and function in typical operation. All the test modes were carried out with the EUT in normal operation.

3.2. EUT Test Step

1.	Setup the EUT shown on "Configuration of Test System Details."
2.	Turn on the power of all equipment.
3.	The EUT will start to operate function.

3.3. Configuration of Test System Details



Devices Description					
	Product	Manufacturer	Model Number	Serial Number	Power Cord
(1)	Adapter	Powertron Electronics	PA008-1DU	---	---
(2)	RS232 USB-to-Serial USB Cable	CLiPtec	CLiPtec USB To RS-232	---	---
(3)	Notebook	ASUS	P1448U	---	---

3.4. Test Instruments

For Conducted Emission
Test Period: Jan. 04, 2024
Testing Engineer: Jayson Hsieh

Test Site		Conduction01-BD				
Use	Equipment	Manufacturer	Model Number	Serial Number	Cal. Date	Cal. Period
<input checked="" type="checkbox"/>	Test Receiver	R&S	ESCI	100367	May 22, 2023	1 year
<input checked="" type="checkbox"/>	LISN	R&S	ENV216	101040	Mar. 21, 2023	1 year
<input checked="" type="checkbox"/>	LISN	R&S	ENV216	101140	Jan. 12, 2023	1 year
<input checked="" type="checkbox"/>	RF Cable	Woken	00100D1380194M	TE-02-03	Jun. 01, 2023	1 year
<input checked="" type="checkbox"/>	Software	EZ EMC	1.1.4.3	N/A	N.C.R.	---

For Conducted
Test Period: Jan. 03 ~ Jan. 15, 2024
Testing Engineer: John Chen

Test Site		RF01-BD				
Use	Equipment	Manufacturer	Model Number	Serial Number	Cal. Date	Cal. Period
<input checked="" type="checkbox"/>	Spectrum Analyzer (10 Hz~26.5 GHz)	Keysight	N9010B	MY63460166	Mar. 08, 2023	1 year
<input checked="" type="checkbox"/>	Temperature & Humidity Chamber	TAICHY	MHU-225LA	980729	Mar. 29, 2023	1 year

means with testing used ;
 means without testing used
Note: N.C.R. = No Calibration Request.

For Radiated Emissions
 Test Period: Dec. 29, 2023
 Testing Engineer: Hung Chou

Test Site		96603-BD				
Radiation test sites		Semi Anechoic Room				
Use	Equipment	Manufacturer	Model Number	Serial Number	Cal. Date	Cal. Period
<input checked="" type="checkbox"/>	Spectrum Analyzer (10 Hz~44 GHz)	Keysight	N9020B	MY60112363	Jan. 13, 2023	1 year
<input checked="" type="checkbox"/>	Amplifier (100 kHz~1.3 GHz)	Agilent	8447D	2944A11119	Jan. 07, 2023	1 year
<input checked="" type="checkbox"/>	Loop Antenna (9 kHz~30 MHz)	COM-POWER CORPORATION	AL-130	121014	Mar. 23, 2023	1 year
<input checked="" type="checkbox"/>	Trilog Broadband Antenna (30 kHz~1 GHz)	Schwarzbeck Mess-Elektronik	VULB9168	01146	Jun. 26, 2023	1 year
<input checked="" type="checkbox"/>	Coaxial Cable	Titan	T0710AT327A10A 100	J11005	Aug. 10, 2023	1 year
<input checked="" type="checkbox"/>	Coaxial Cable	Titan	T0710AT327A10A 900	J11004	Aug. 10, 2023	1 year
<input checked="" type="checkbox"/>	Coaxial Cable	Titan	CFD400NL-LW	001	Aug. 10, 2023	1 year
<input checked="" type="checkbox"/>	Software	EZ EMC	1.1.4.4	N/A	N.C.R.	---

means with testing used ;

means without testing used

Note: N.C.R. = No Calibration Request.

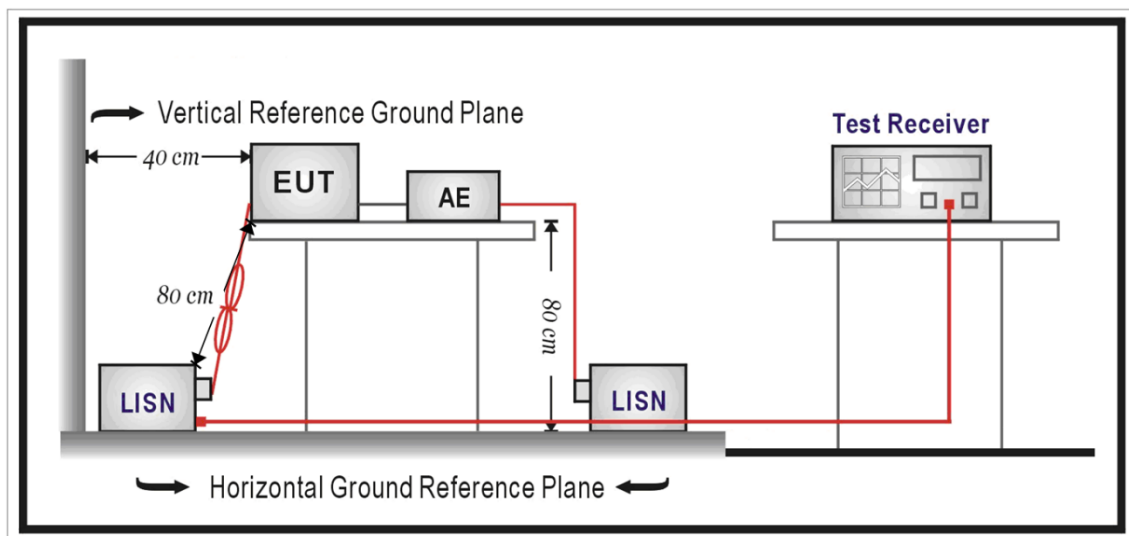
4 Measurement Procedure

4.1. AC Power Line Conducted Emission Measurement

■ Limit

Frequency (MHz)	Quasi-peak	Average
0.15 - 0.5	66 to 56	56 to 46
0.50 - 5.0	56	46
5.0 - 30.0	60	50

■ Test Setup



■ Test Procedure

The EUT and simulators are connected to the main power through a line impedance stabilization network (L.I.S.N.). This provides a $50 \Omega // 50 \mu\text{H}$ coupling impedance for the measuring equipment. The peripheral devices are also connected to the main power through a LISN that provides a $50 \Omega // 50 \mu\text{H}$ coupling impedance with 50 ohm termination.

Tabletop device shall be placed on a non-conducting platform, of nominal size 1 m by 1.5 m, raised 80 cm above the reference ground plane. The wall of screened room shall be located 40 cm to the rear of the EUT. Other surfaces of tabletop or floor standing EUT shall be at least 80 cm from any other ground conducting surface including one or more LISNs. For floor-standing device shall be placed under the EUT with a 12 mm insulating material.

Conducted emissions were investigated over the frequency range from 0.15 MHz to 30 MHz using a resolution bandwidth of 9 kHz. The equipment under test (EUT) shall be meet the limits in section 4.1, as applicable, including the average limit and the quasi-peak limit when using respectively, an average detector and quasi-peak detector measured in accordance with the methods described of related standard. When all of peak value were complied with quasi-peak and average limit from 150 kHz to 30 MHz then quasi-peak and average measurement was unnecessary.

The AMN shall be placed 0.8 m from the boundary of the unit under test and bonded to a ground reference plane for AMNs mounted on top of the ground reference plane. This distance is between the closest points of the AMN and the EUT. All other units of the EUT and associated equipment shall be at least 0.8 m from the AMN. If the mains power cable is longer than 1 m then the cable shall be folded back and forth at the centre of the lead to form a bundle no longer than 0.4 m. All of interconnecting cables that hang closer than 40 cm to the ground plane shall be folded back and forth in the center forming a bundle 30 cm to 40 cm long. All of EUT and AE shall be separate place more than 0.1 m. All 50Ω ports of the LISN shall be resistively terminated into 50Ω loads when not connected to the measuring instrument.

If the reading of the measuring receiver shows fluctuations close to the limit, the reading shall be observed for at least 15 s at each measurement frequency; the higher reading shall be recorded with the exception of any brief isolated high reading which shall be ignored.

4.2. Radiated Emission Measurement

■ **Limit**

According to §15.225,

- (a) The field strength of any emissions within the band 13.553 – 13.567 MHz shall not exceed 15,848 microvolt / meter at 30 meters.
- (b) Within the bands 13.410 – 13.553 MHz and 13.567 -13.710 MHz, the field strength of any emissions shall not exceed 334 microvolt / meter at 30 meters.
- (c) Within the bands 13.110 – 13.410 MHz and 13.710 – 14.010 MHz the field strength of any emissions shall not exceed 106 microvolt / meter at 30 meters.
- (d) The field strength of any emissions appearing outside of the 13.110 – 14.010 MHz and shall not exceed the general radiated emission limits in §15.209.

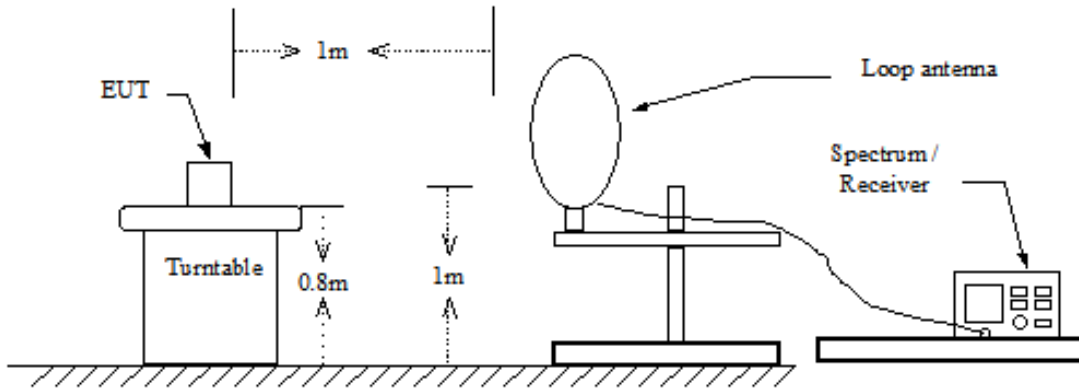
According to §15.225(a), except as provided elsewhere in this Subpart, the emissions from an intentional radiator shall not exceed the field strength levels specified in the following table:

Frequency (MHz)	Field Strength (μ V/m at meter)	Measurement Distance (meter)
0.009 – 0.490	2400 / F (kHz)	300
0.490 – 1.705	24000 / F (kHz)	30
1.705 – 30.0	30	30
30 - 88	100**	3
88-216	150**	3
216-960	200**	3
Above 960	500	3

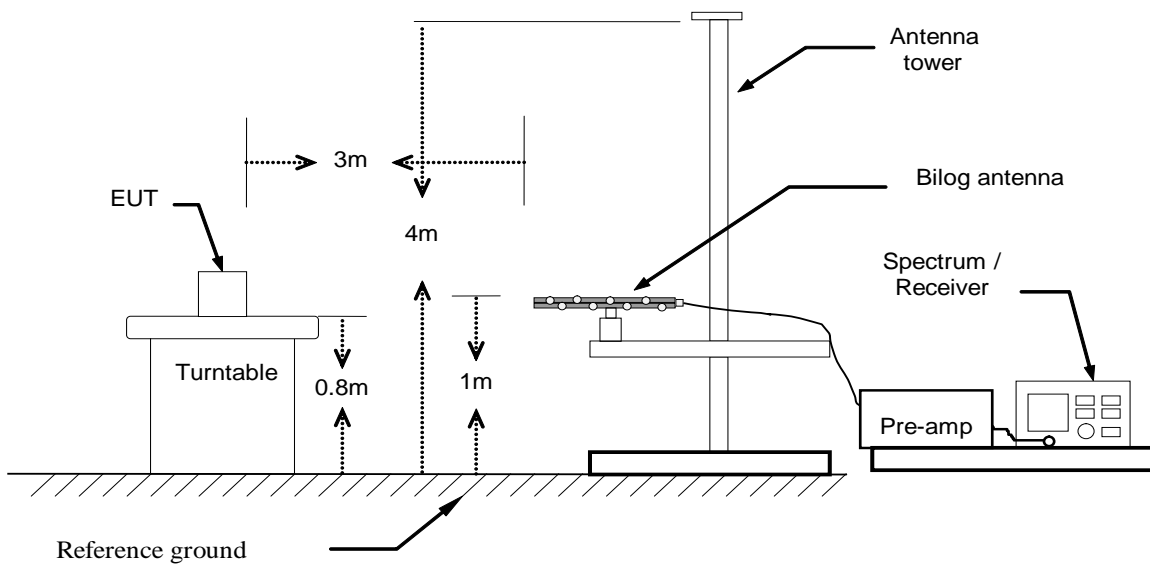
** Except as provided in paragraph (g), fundamental emissions from intentional radiators operating under this Section shall not be located in the frequency bands 54-72 MHz, 76-88 MHz, 174-216 MHz or 470-806 MHz. However, operation within these frequency bands is permitted under other sections of this Part, e.g., Sections 15.231 and 15.241.

■ Setup

9 kHz ~ 30 MHz



30 MHz ~ 1 GHz



■ Test Procedure

Final radiation measurements were made on a three-meter Semi Anechoic Chamber. The EUT system was placed on a nonconductive turntable which is 0.8 meters height, top surface 1.0 x 1.5 meter. The spectrum was examined from 3 Hz to 44 GHz in order to cover the whole spectrum below 10th harmonic which could generate from the EUT. During the test, EUT was set to transmit continuously.

For measurements below 30 MHz the resolution bandwidth is set to 10 kHz for peak detection measurements or 9 kHz for quasi-peak detection measurements. The video bandwidth is 3 times of the resolution bandwidth.

For measurements below 1 GHz the resolution bandwidth is set to 100 kHz for peak detection measurements or 120 kHz for quasi-peak detection measurements. Peak detection is used unless otherwise noted as quasi-peak.

For measurements above 1 GHz the resolution bandwidth is set to 1 MHz, and then the video bandwidth is set to 3 MHz for peak measurements and 10 Hz for average measurements.

A nonconductive material surrounded the EUT to supporting the EUT for standing on three orthogonal planes. At each condition, the EUT was rotated 360 degrees, and the antenna was raised and lowered from one to four meters to find the maximum emission levels. Measurements were taken using both horizontal and vertical antenna polarization.

Broadband/Horn Antenna were used in frequency 30 MHz to 18 GHz at a distance of 3 meter. Loop/Horn Antenna was used in frequency 9 kHz to 30 MHz and 18 to 26.5 GHz at a distance of 1 meter. All test results were extrapolated to equivalent signal at 3 meters utilizing an inverse linear distance extrapolation Factor (20 dB/decade).

For testing above 1 GHz, the emission level of the EUT in peak mode was 20 dB lower than average limit (that means the emission level in peak mode also complies with the limit in average mode), then testing will be stopped and peak values of EUT will be reported, otherwise, the emissions will be measured in average mode again and reported.

Appropriate preamplifiers were used for improving sensitivity and precautions were taken to avoid overloading or desensitizing the spectrum analyzer. No post – detector video filters were used in the test.

The spectrum analyzer's 6 dB bandwidth was set to 1 MHz, and the analyzer was operated in the peak detection mode, for frequencies both below and up 1 GHz. The average levels were obtained by subtracting the duty cycle correction factor from the peak readings.

The following procedures were used to convert the emission levels measured in decibels referenced to 1 microvolt (dBuV) into field intensity in microvolt pre-meter (uV/m).

The actual field intensity in decibels referenced to 1 microvolt in to field intensity in microvolt per-meter (dBuV/m).

The actual field is intensity in referenced to 1 microvolt per meter (dBuV/m) is determined by algebraically adding the measured reading in dBuV, the antenna factor (dB), and cable loss (dB) and Subtracting the gain of preamplifier (dB) is auto calculate in spectrum analyzer.

$$(1) \text{ Amplitude (dBuV/m) = FI (dBuV) + AF (dBuV) + CL (dBuV) - Gain (dB)}$$

FI= Reading of the field intensity.

AF= Antenna factor.

CL= Cable loss.

P.S Amplitude is auto calculate in spectrum analyzer.

$$(2) \text{ Actual Amplitude (dBuV/m) = Amplitude (dBuV) - Dis(dB)}$$

The FCC specified emission limits were calculated according the EUT operating frequency and by following linear interpolation equations:

(a) For fundamental frequency : Transmitter Output < +30 dBm

(b) For spurious frequency : Spurious emission limits = fundamental emission limit /10

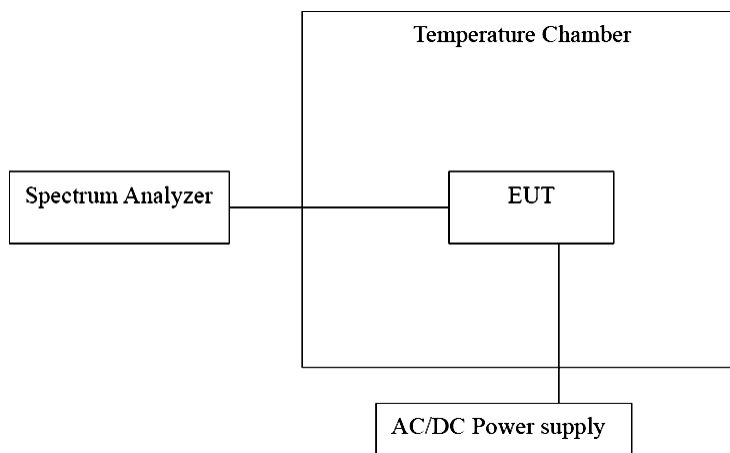
Data of measurement within this frequency range without mark in the table above means the reading of emissions are attenuated more than 20 dB below the permissible limits or the field strength is too small to be measured.

4.3. Frequency Stability Measurement

■ **Limit**

According to §15.207(e), the frequency tolerance of the carrier signal shall be maintained within +/- 0.01 % of the operating frequency over a temperature variation of -20 degrees to +50 degrees C at normal supply voltage, and for a variation in the primary supply voltage from 85 % to 115 % of the rated supply voltage at a temperature of 20 degrees C. For battery operated equipment, the equipment tests shall be performed using a new battery.

■ **Test Setup**



■ **Test Procedure**

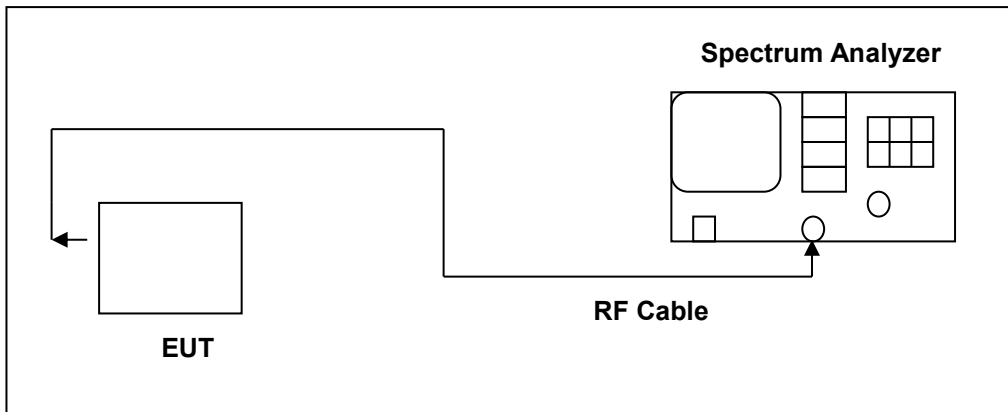
1. Place the EUT on the table and set it in the transmitting mode.
2. Remove the antenna from the EUT and then connect a low loss RF cable from the antenna port to the spectrum analyzer.
3. Set the environment into appropriate environment.
4. Set the spectrum analyzer as RBW = 1 kHz, VBW = RBW, Span = 200 kHz, Sweep = auto.
5. Mark the peak frequency and measure the frequency tolerance using frequency counter function.
6. Repeat until all the results are investigated.

4.4. 20 dB Bandwidth Measurement

■ **Limit**

Intentional radiators must be designed to ensure that the 20 dB bandwidth of the emissions in the specific band (13.553 – 13.567 MHz).

■ **Test Setup**



■ **Test Procedure**

Connect RF output port to the input of the spectrum analyzer. Connect the DUT to appropriate power supply. Turn Radio function of DUT on.

Analyzer setting : Refer to ANSI C63.10, clause 6.9.

4.5. Antenna Requirement

■ Require

An intentional radiator shall be designed to ensure that no antenna other than that furnished by the responsible party shall be used with the device. The use of a permanently attached antenna or of an antenna that uses a unique coupling to the intentional radiator shall be considered sufficient to comply with the provisions of this section. The manufacturer may design the unit so that a broken antenna can be replaced by the user, but the use of a standard antenna jack or electrical connector is prohibited.

■ Antenna Connector Construction

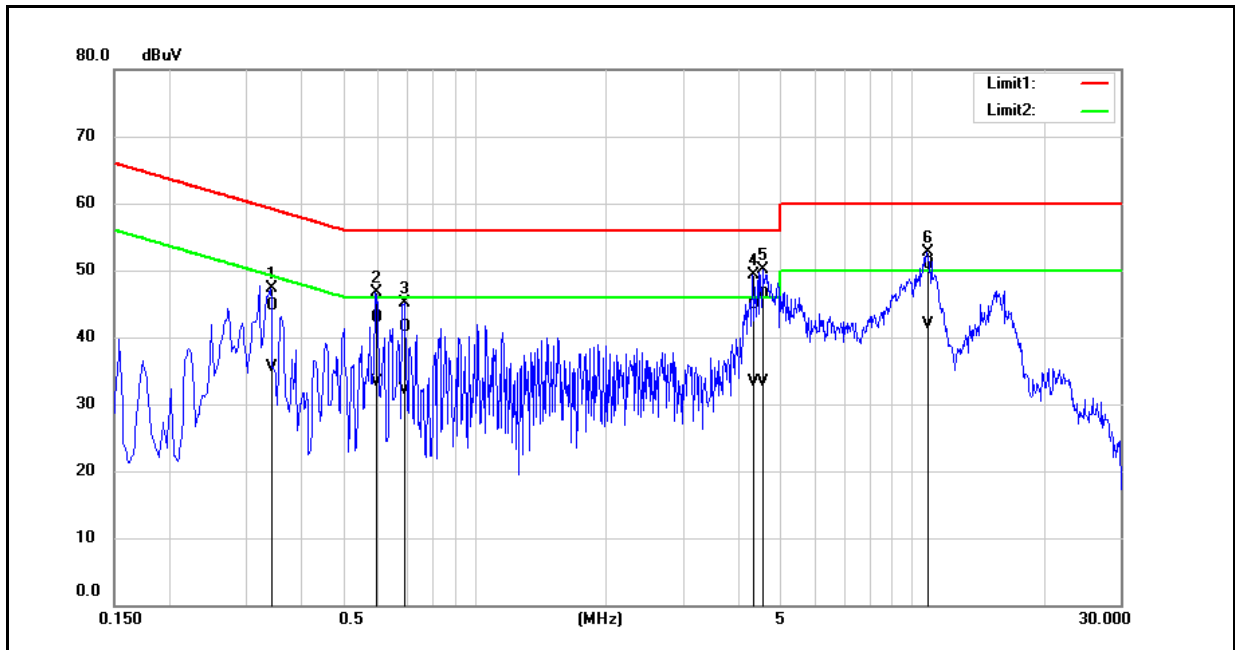
The antenna connector used in this product is internal antenna, cannot be replaced by the end-user.

See section 2 – antenna information.

5 Test Results

5.1. Conducted Emission

Standard:	FCC Part 15.225	Line:	L1
Test item:	Conducted Emission	Power:	AC 120 V/60 Hz
Mode:	Transmit Mode		
Description:			

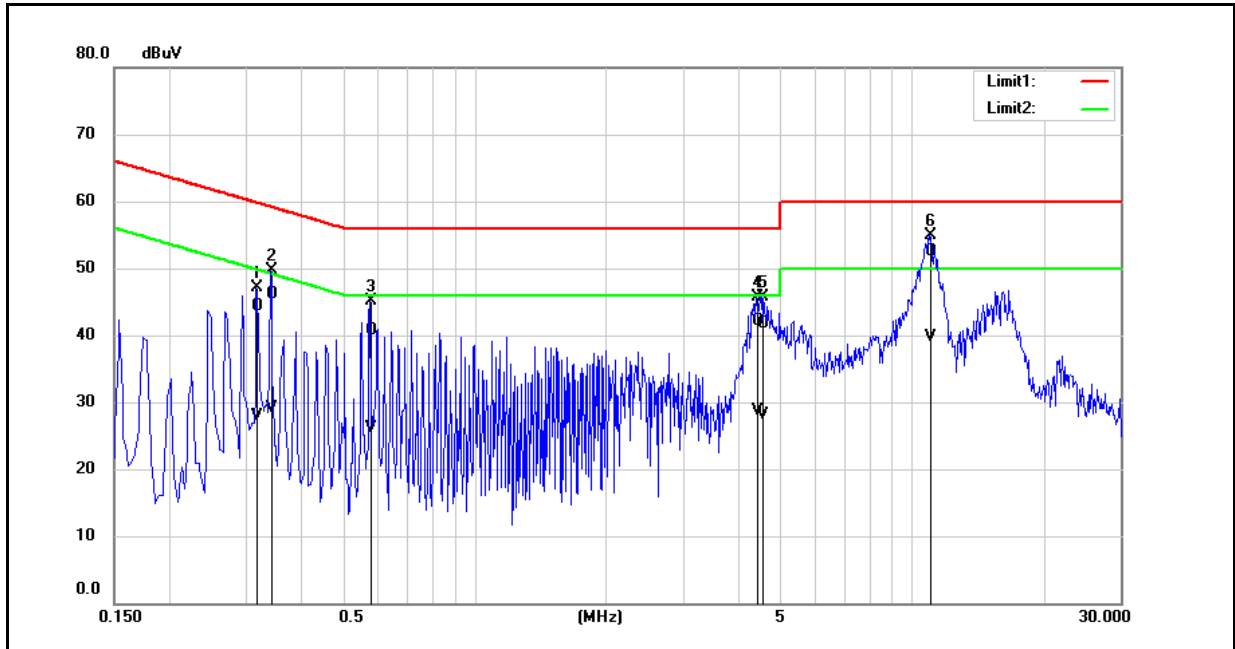


No.	Frequency (MHz)	QP reading (dBuV)	AVG reading (dBuV)	Correction factor (dB)	QP result (dBuV)	AVG result (dBuV)	QP limit (dBuV)	AVG limit (dBuV)	QP margin (dB)	AVG margin (dB)	Remark
1	0.3420	35.15	25.95	9.62	44.77	35.57	59.15	49.15	-14.38	-13.58	Pass
2	0.5940	33.35	23.76	9.63	42.98	33.39	56.00	46.00	-13.02	-12.61	Pass
3	0.6900	31.85	22.49	9.64	41.49	32.13	56.00	46.00	-14.51	-13.87	Pass
4	4.3260	35.23	23.49	9.76	44.99	33.25	56.00	46.00	-11.01	-12.75	Pass
5	4.5540	36.54	23.51	9.76	46.30	33.27	56.00	46.00	-9.70	-12.73	Pass
6	10.8300	40.98	32.10	9.88	50.86	41.98	60.00	50.00	-9.14	-8.02	Pass

Note: 1. Result (dBuV) = Correction factor (dB) + Reading(dBuV).

2. Correction factor (dB) = Cable loss (dB) + L.I.S.N. factor (dB).

Standard:	FCC Part 15.225	Line:	N
Test item:	Conducted Emission	Power:	AC 120 V/60 Hz
Mode:	Transmit Mode		
Description:			



No.	Frequency (MHz)	QP reading (dBuV)	AVG reading (dBuV)	Correction factor (dB)	QP result (dBuV)	AVG result (dBuV)	QP limit (dBuV)	AVG limit (dBuV)	QP margin (dB)	AVG margin (dB)	Remark
1	0.3180	34.61	18.39	9.61	44.22	28.00	59.76	49.76	-15.54	-21.76	Pass
2	0.3420	36.44	19.51	9.61	46.05	29.12	59.15	49.15	-13.10	-20.03	Pass
3	0.5780	31.11	16.52	9.62	40.73	26.14	56.00	46.00	-15.27	-19.86	Pass
4	4.4260	32.31	19.01	9.77	42.08	28.78	56.00	46.00	-13.92	-17.22	Pass
5	4.5380	31.93	18.26	9.77	41.70	28.03	56.00	46.00	-14.30	-17.97	Pass
6	11.0140	42.50	29.70	9.93	52.43	39.63	60.00	50.00	-7.57	-10.37	Pass

Note: 1. Result (dBuV) = Correction factor (dB) + Reading(dBuV).

2. Correction factor (dB) = Cable loss (dB) + L.I.S.N. factor (dB).

5.2. Conducted Test Results

Frequency Stability Measurement

Temperature Variations

Test Mode		Continuous TX Mode					
Temp. (°C)	Voltage (VAC)	0 minute Frequency Tolerance (%)	2 minutes Frequency Tolerance (%)	5 minutes Frequency Tolerance (%)	10 minutes Frequency Tolerance (%)	Limit (%)	Result (Pass/Fail)
-20	V _{Nom}	-0.0044	-0.0044	-0.0044	-0.0037	±0.01	Pass
-10	V _{Nom}	-0.0044	-0.0037	-0.0037	-0.0044	±0.01	Pass
0	V _{Nom}	-0.0044	-0.0044	-0.0037	-0.0044	±0.01	Pass
10	V _{Nom}	-0.0044	-0.0044	-0.0044	-0.0044	±0.01	Pass
20	V _{Nom}	-0.0044	-0.0037	-0.0044	-0.0044	±0.01	Pass
30	V _{Nom}	-0.0037	-0.0044	-0.0037	-0.0037	±0.01	Pass
40	V _{Nom}	-0.0037	-0.0037	-0.0044	-0.0037	±0.01	Pass
50	V _{Nom}	-0.0037	-0.0044	-0.0037	-0.0037	±0.01	Pass

Voltage Variations

Test Mode		Continuous TX Mode					
Temp. (°C)	Voltage (VAC)	0 minute Frequency Tolerance (%)	2 minutes Frequency Tolerance (%)	5 minutes Frequency Tolerance (%)	10 minutes Frequency Tolerance (%)	Limit (%)	Result (Pass/Fail)
20	V _{Low}	-0.0037	-0.0037	-0.0044	-0.0044	±0.01	Pass
	V _{Nom}	-0.0044	-0.0037	-0.0044	-0.0044	±0.01	Pass
	V _{High}	-0.0044	-0.0037	-0.0037	-0.0044	±0.01	Pass

Note: V_{Low}=V_{Nom}-15 % ; V_{High}=V_{Nom}+15 %

20 dB Bandwidth Measurement

Test Mode	Continuous TX mode	
Frequency (kHz)	20 dB Bandwidth (kHz)	
13.56	2.497	

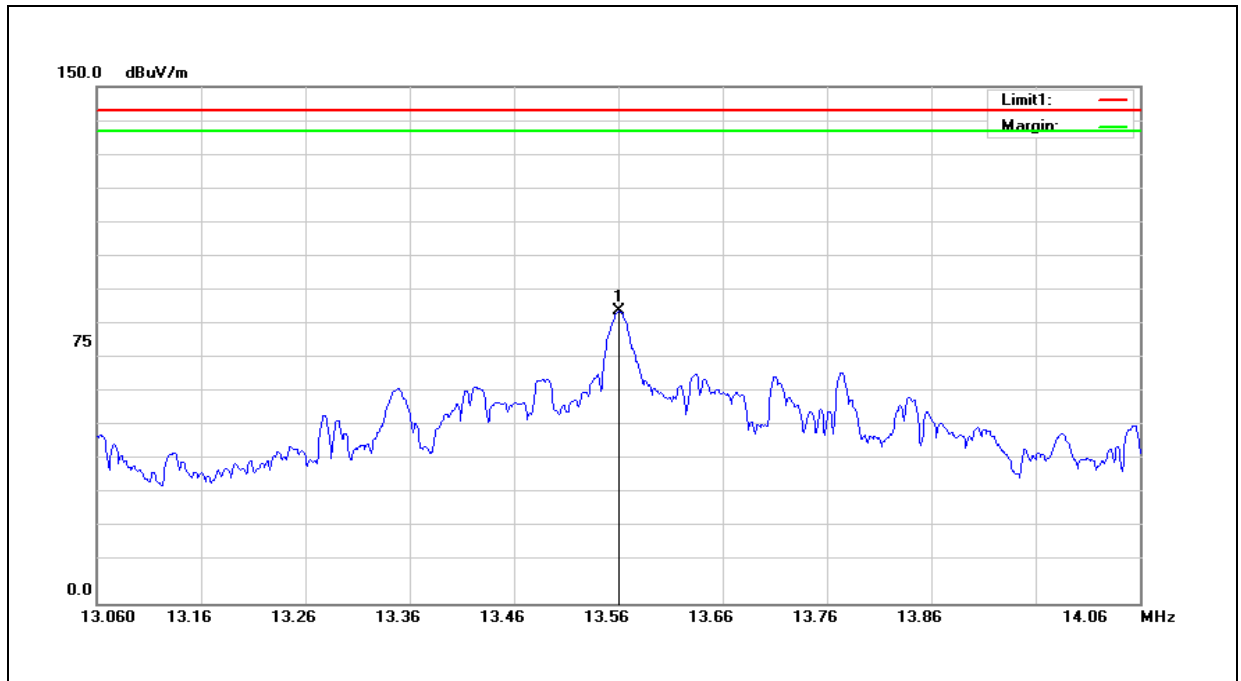
Test Graphs



5.3. Radiated Emission Measurement

Fundamental

Standard:	Part 15.225	Test Distance:	1 m
Test item:	Fundamental		
Mode:	Continuous TX Mode		
Ant.Polar.:	Horizontal		



No.	Frequency (MHz)	Reading (dBuV)	Correct Factor (dB/m)	Near-Field Result (dBuV/m)	Derived Value (dBuV/m)	Limit (dBuV/m)	Margin (dB)	Remark
1	13.5600	10.02	15.69	25.71	84.00	-58.29	13.5600	PEAK

Note: The level is measured at 1 meter and is converted into result at 30 meter.

The converted formula listed below:

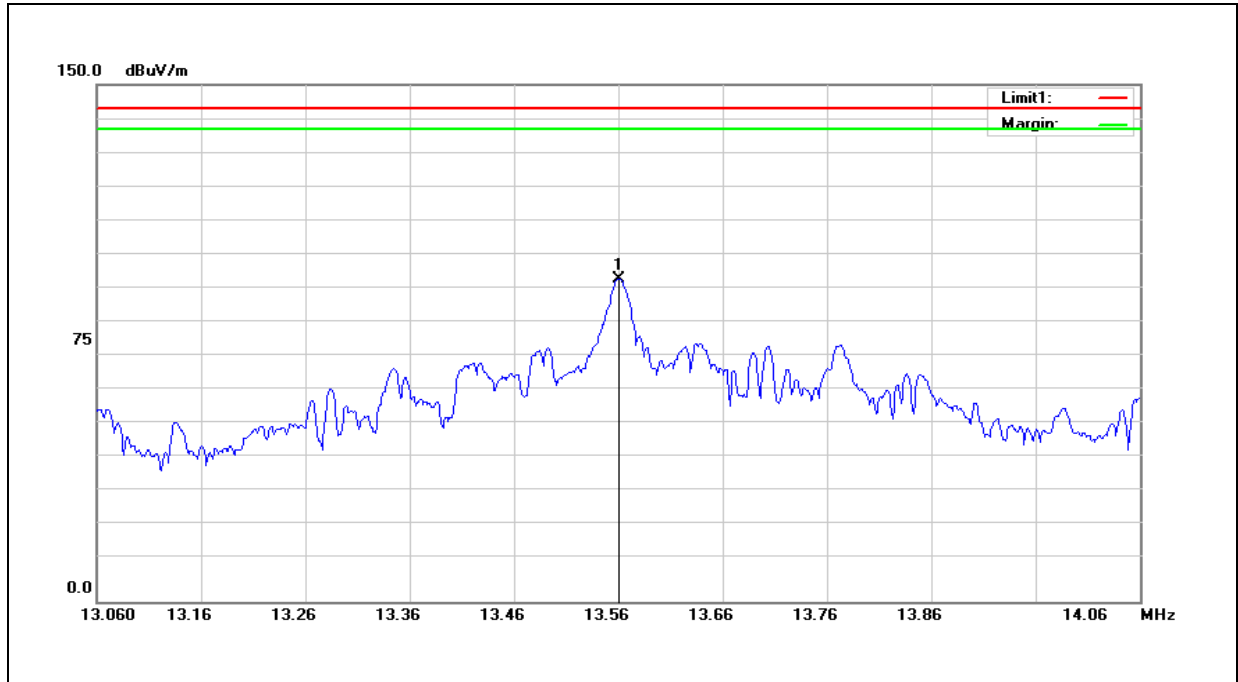
Measure result (1 meter distance): a

Compute result (30 meter distance): A

$d_{near\ field} = \lambda/2\pi$, $d_{measure} = 1\ meter\ distance$

$A = a - 40 \cdot \log(d_{near\ field} / d_{measure}) - 20 \cdot \log(d_{limit} / d_{near\ field})$

Standard:	Part 15.225	Test Distance:	1 m
Test item:	Fundamental		
Mode:	Continuous TX Mode		
Ant.Polar.:	Vertical		



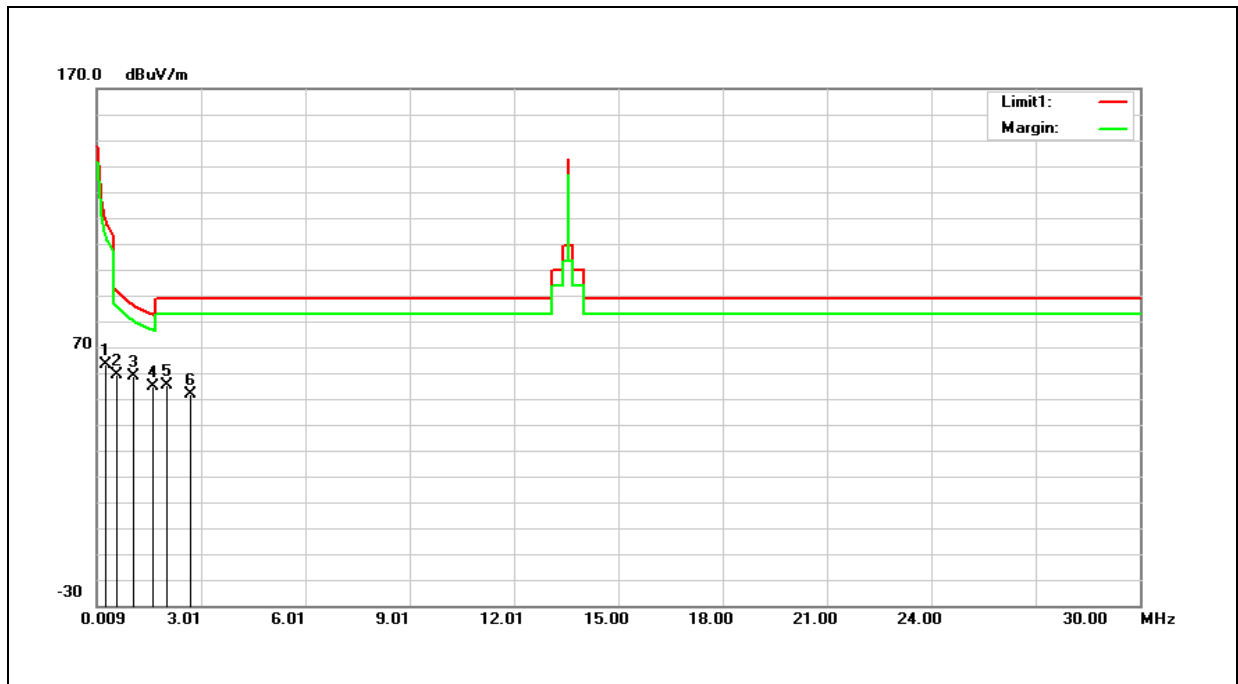
No.	Frequency (MHz)	Reading (dBuV)	Correct Factor (dB/m)	Near-Field Result (dBuV/m)	Derived Value (dBuV/m)	Limit (dBuV/m)	Margin (dB)	Remark
1	13.5600	18.87	15.69	34.56	84.00	-49.44	13.5600	PEAK

Note: The level is measured at 1 meter and is converted into result at 30 meter.

Harmonic

9 kHz ~ 30 MHz:

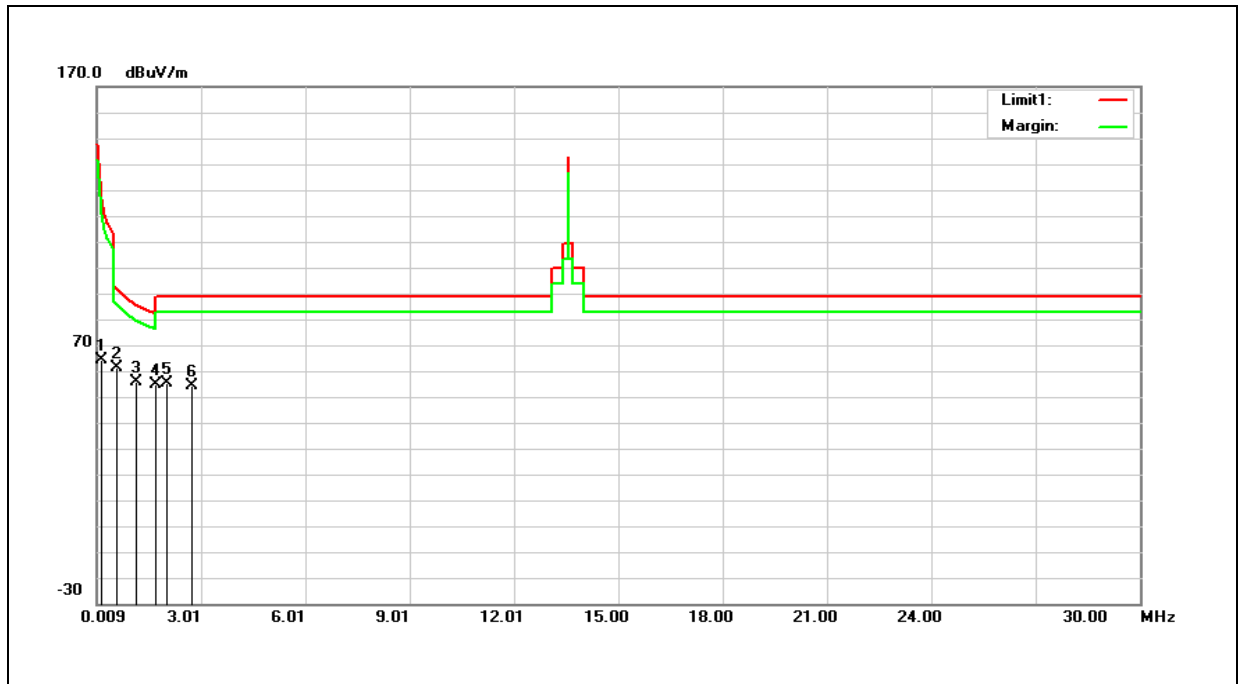
Standard:	Part 15.225	Test Distance:	300/30 m
Test item:	Harmonic		
Mode:	Continuous TX Mode		
Ant.Polar.:	Horizontal		



No.	Frequency (MHz)	Reading (dBuV)	Correct Factor (dB/m)	Near-Field Result (dBuV/m)	Derived Value (dBuV/m)	Limit (dBuV/m)	Margin (dB)	Remark
1	0.2788	-49.51	13.62	-35.89	18.69	-54.58	0.2788	PEAK
2	0.5787	-14.00	13.94	-0.06	32.35	-32.41	0.5787	PEAK
3	1.0586	-14.42	13.92	-0.50	27.11	-27.61	1.0586	PEAK
4	1.6285	-18.41	14.03	-4.38	23.36	-27.74	1.6285	PEAK
5	2.0183	-18.10	14.10	-4.00	29.54	-33.54	2.0183	PEAK
6	2.7082	-21.86	14.48	-7.38	29.54	-36.92	2.7082	PEAK

Note: The level is measured at 1 meter and is converted into result at 300 or 30 meter.

Standard:	Part 15.225	Test Distance:	300/30 m
Test item:	Harmonic		
Mode:	Continuous TX Mode		
Ant.Polar.:	Vertical		

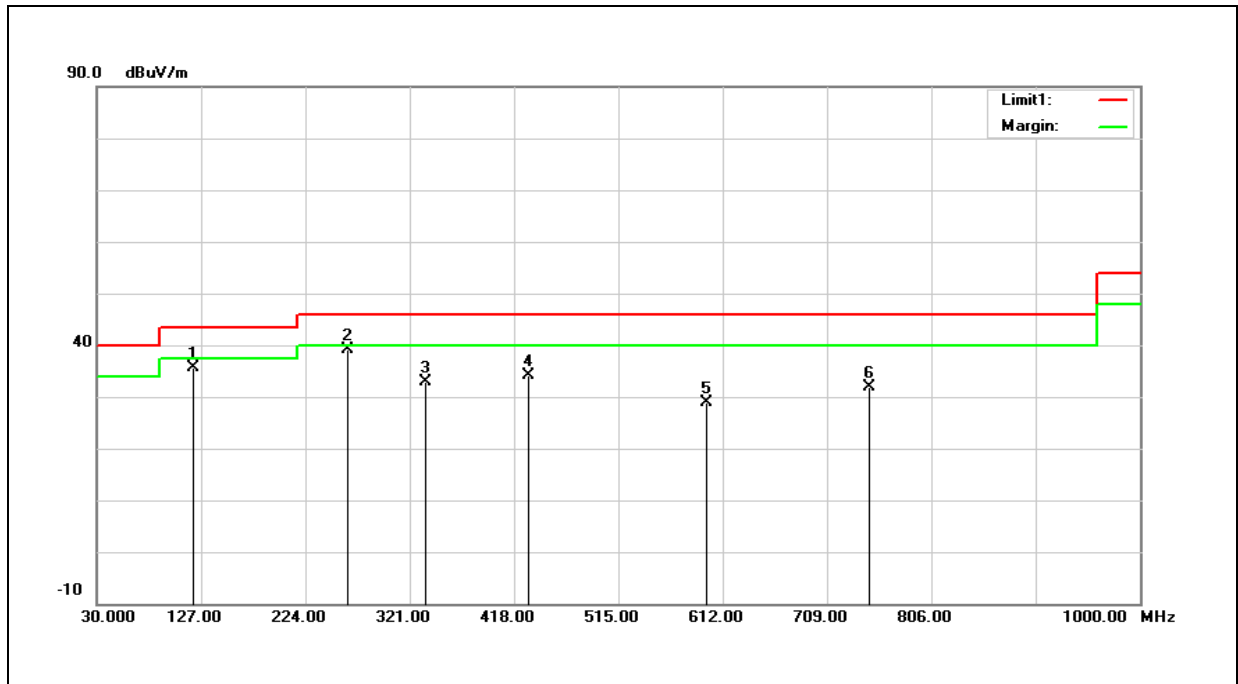


No.	Frequency (MHz)	Reading (dBuV)	Correct Factor (dB/m)	Near-Field Result (dBuV/m)	Derived Value (dBuV/m)	Limit (dBuV/m)	Margin (dB)	Remark
1	0.1590	-47.99	13.39	-34.60	23.57	-58.17	0.1590	PEAK
2	0.5787	-11.75	13.94	2.19	32.35	-30.16	0.5787	PEAK
3	1.1487	-17.39	13.94	-3.45	26.40	-29.85	1.1487	PEAK
4	1.7184	-18.12	14.04	-4.08	29.54	-33.62	1.7184	PEAK
5	2.0483	-18.16	14.11	-4.05	29.54	-33.59	2.0483	PEAK
6	2.7381	-19.52	14.49	-5.03	29.54	-34.57	2.7381	PEAK

Note: The level is measured at 1 meter and is converted into result at 300 or 30 meter.

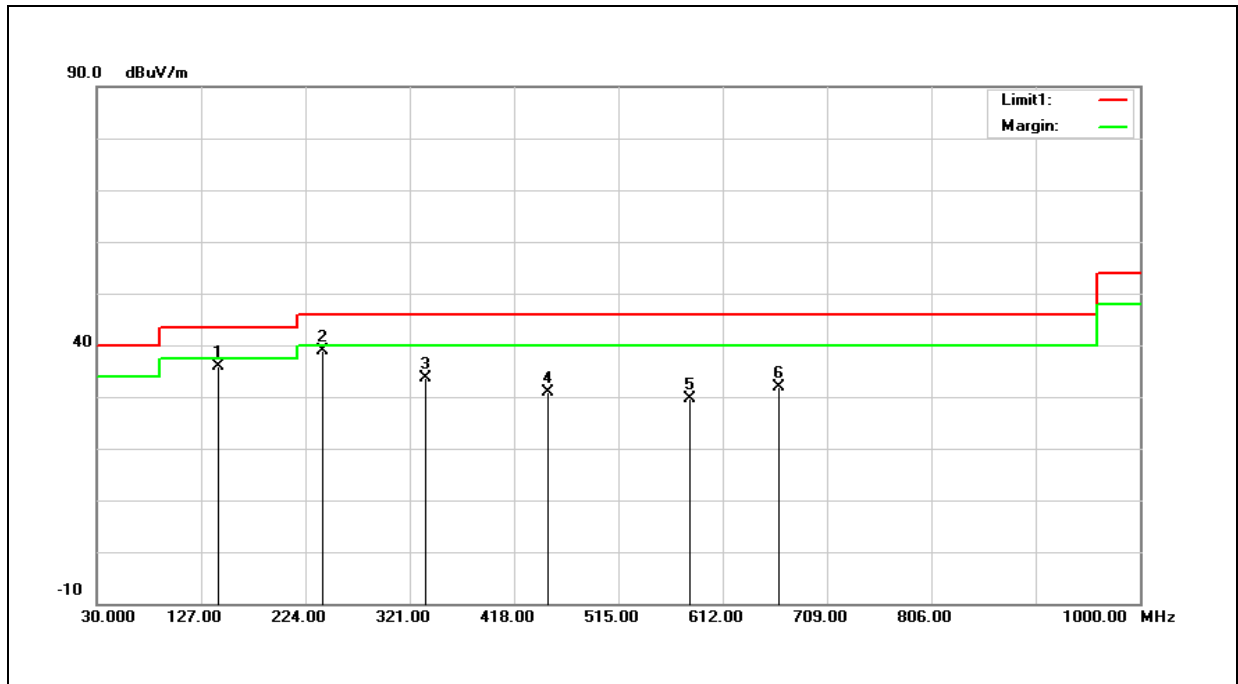
30 MHz ~ 1 GHz:

Standard:	Part 15.225	Test Distance:	3 m
Test item:	Harmonic		
Mode:	Continuous TX Mode		
Ant.Polar.:	Horizontal		



No.	Frequency (MHz)	Reading (dBuV)	Correct Factor (dB/m)	Result (dBuV/m)	Limit (dBuV/m)	Margin (dB)	Remark
1	120.2100	45.00	-9.49	35.51	43.50	-7.99	QP
2*	263.7700	45.74	-6.71	39.03	46.00	-6.97	QP
3	335.5500	37.79	-4.91	32.88	46.00	-13.12	QP
4	431.5800	36.63	-2.45	34.18	46.00	-11.82	QP
5	597.4500	28.28	0.52	28.80	46.00	-17.20	QP
6	748.7700	28.35	3.47	31.82	46.00	-14.18	QP

Standard:	Part 15.225	Test Distance:	3 m
Test item:	Harmonic		
Mode:	Continuous TX Mode		
Ant.Polar.:	Vertical		



No.	Frequency (MHz)	Reading (dBuV)	Correct Factor (dB/m)	Result (dBuV/m)	Limit (dBuV/m)	Margin (dB)	Remark
1	143.4900	43.35	-7.45	35.90	43.50	-7.60	QP
2*	239.5200	46.20	-7.40	38.80	46.00	-7.20	QP
3	335.5500	38.53	-4.91	33.62	46.00	-12.38	QP
4	449.0400	33.01	-2.02	30.99	46.00	-15.01	QP
5	581.9300	29.44	0.10	29.54	46.00	-16.46	QP
6	664.3800	30.20	1.66	31.86	46.00	-14.14	QP

---END---