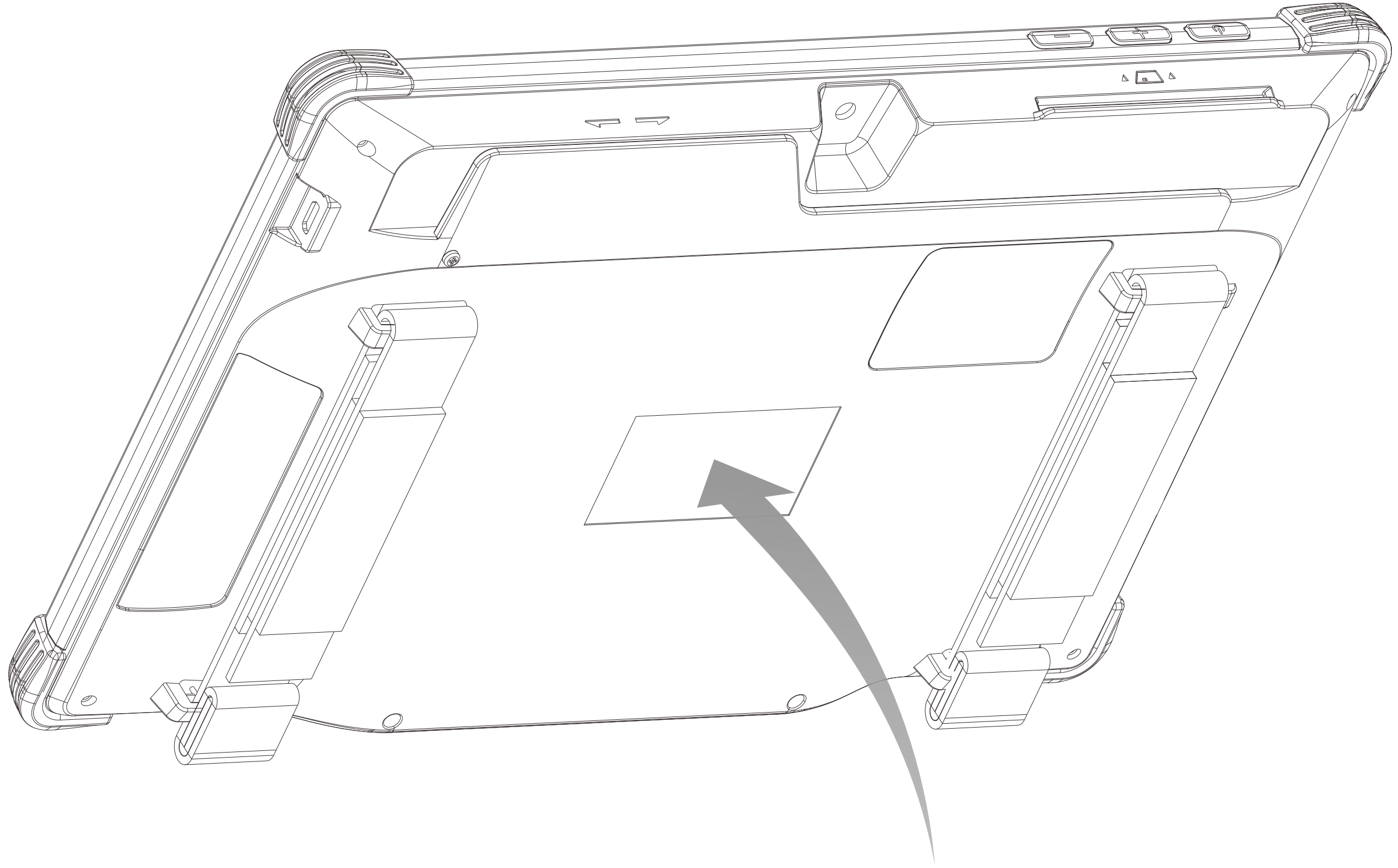




# nPOS Jr\_Label 黏貼位置



Uniform Industrial Corp.  
Model : nPOS Junior  
HW# : XXXXXXXXXXXX  
Input : DC5V --- 4A  
Product : Mobile POS Tablet  
S/N : 289YMPXXXX

████████████████████ FCC ID : TFJNPOSJUNIOR

This device complies with part 15 of the FCC Rules.  
Operation is subject to the following two conditions:  
(1) This device may not cause harmful interference, and  
(2) this device must accept any interference that may  
cause undesired operation.

MADE IN TAIWAN