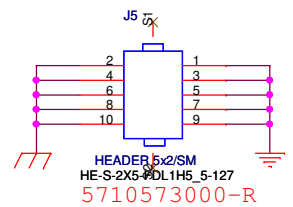
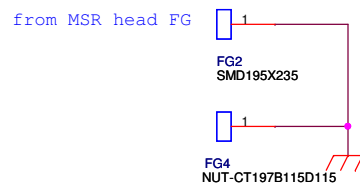
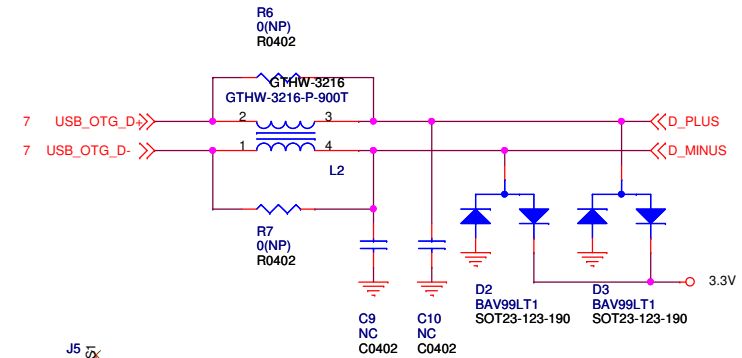
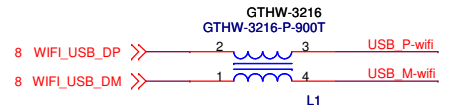
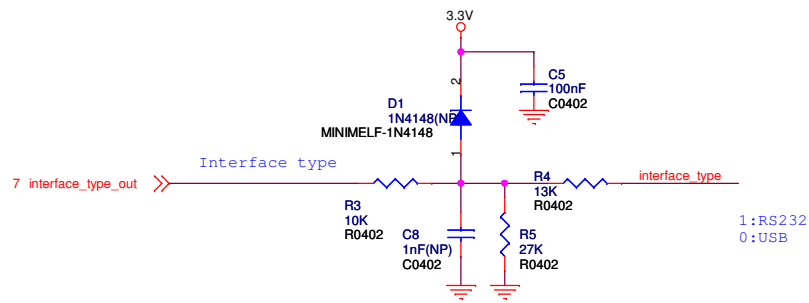
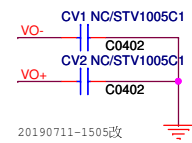
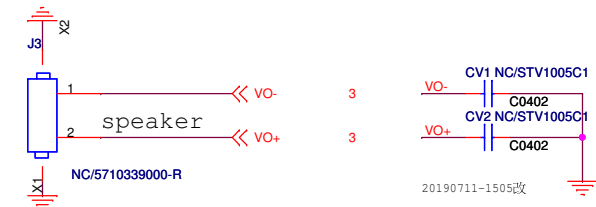
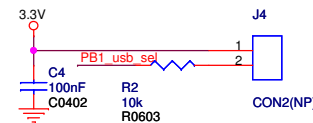
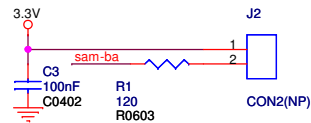
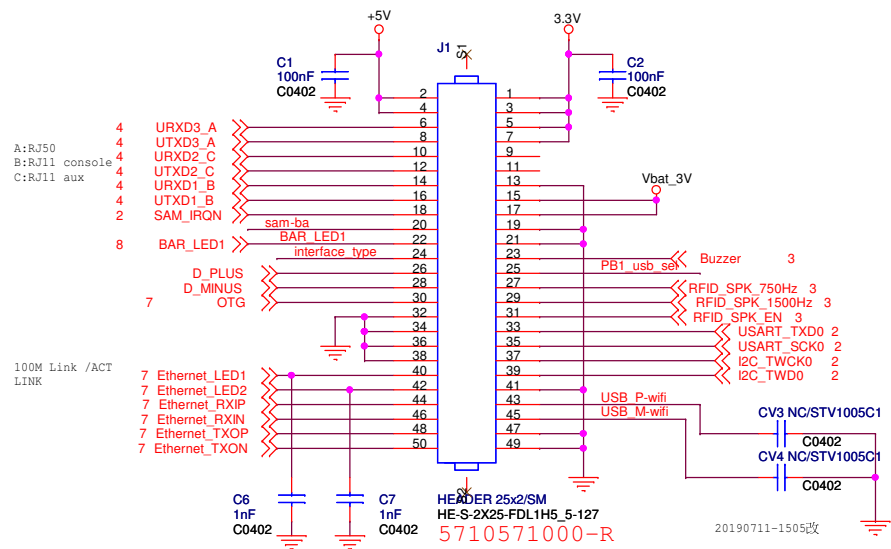


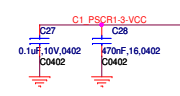
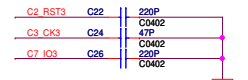
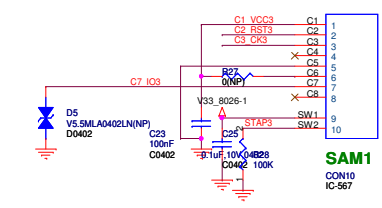
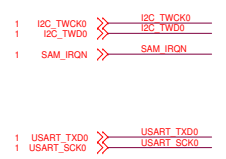
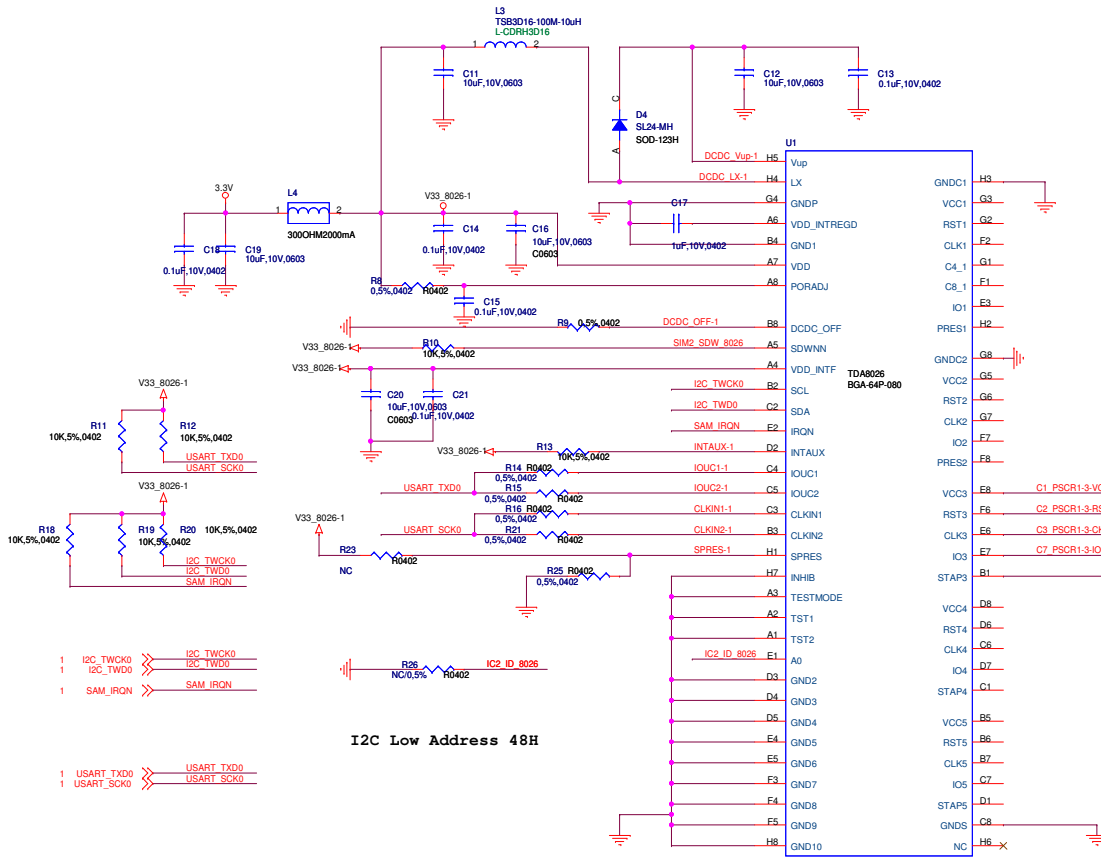
To Main board



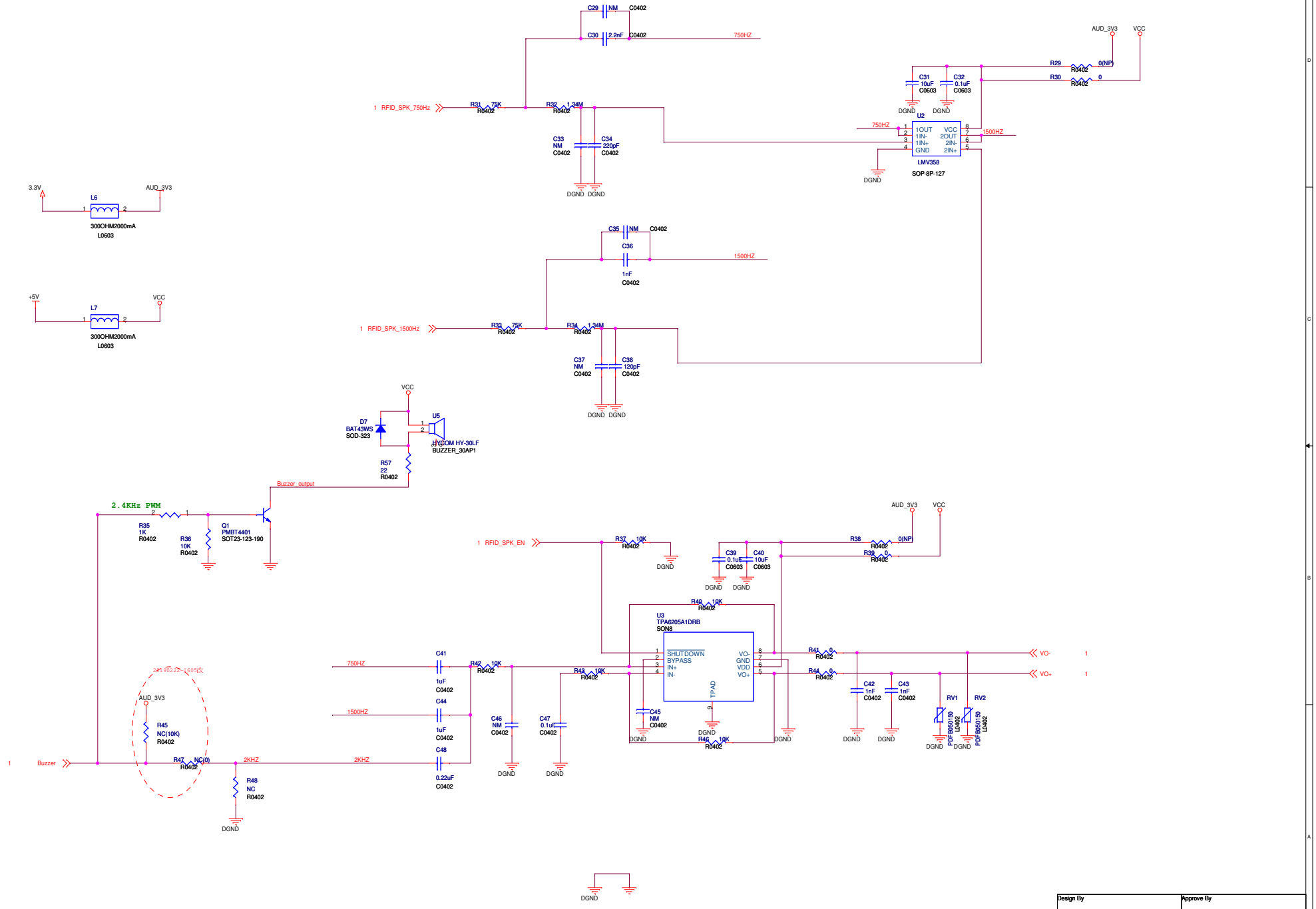
Design By	Thomas Liu	Approve By	James Chiu
Date	Monday, October 26, 2020	Date	2013/10/4
Title Connector			
Size	Document Number Bezel 8+ SAM board	Rev	A.1
Uniform Industrial Corp.		Sheet	1 of 8

## Revision History

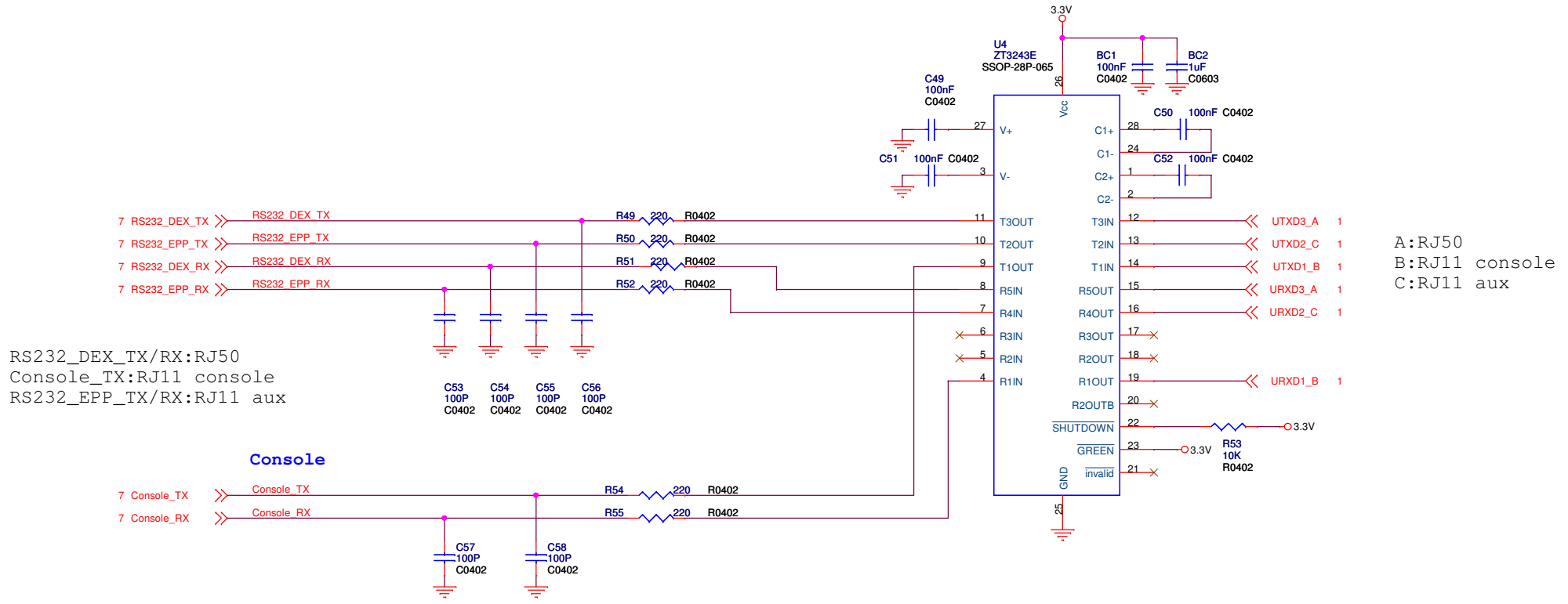
Rev. Code	Date	By	Description
1.0	2019-07-23	carlos	1 release to layout
2.0	2019-11-15	carlos	1 RJ45 pin3,4 and ... disconnected from chassis gnd. 2 release to layout



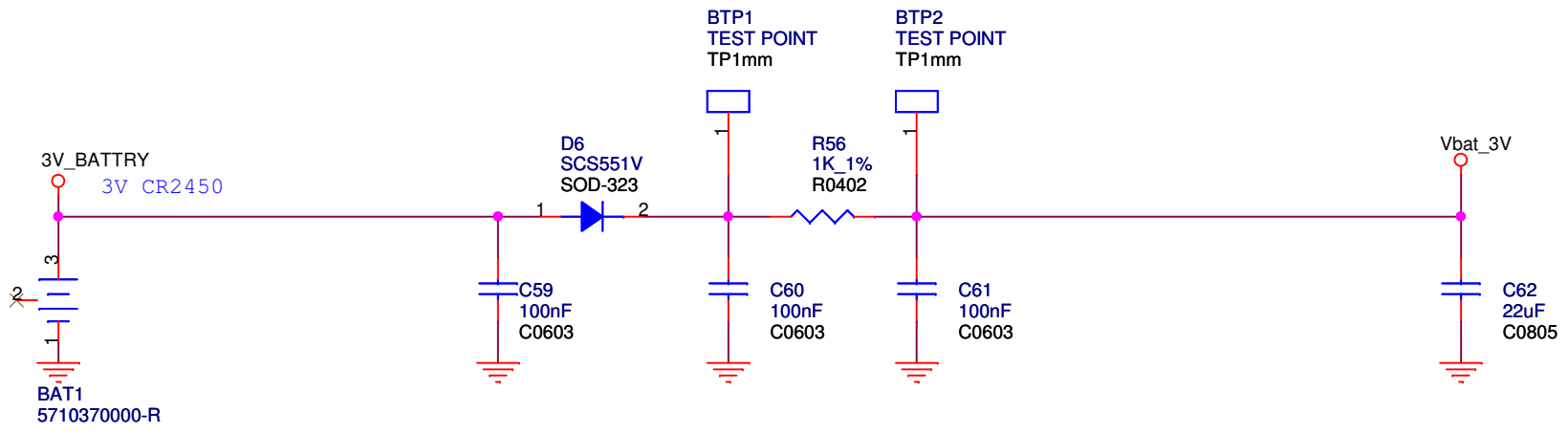
Design By	Thomas Liu	Approve By	KEVINLAI
Date	Monday, October 26, 2020	Date	20190918
Title SAM TDA8026			
Size	Document Number	Bezel 8x SAM board	Rev
C			1
Uniform Industrial Corp.		Sheet	2 of 8



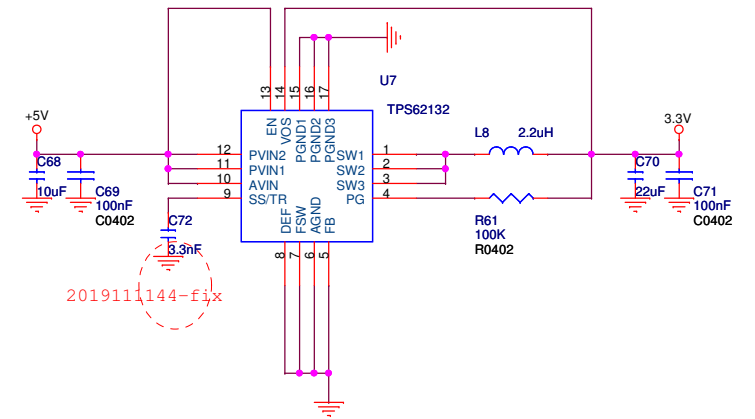
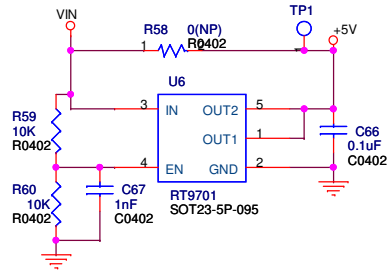
Design By		Approve By	
Date		Date	
Title			
AUDIO			
Size	Document Number	Rev	
C	Bezel 8v SAM board	V2	
Uniform Industrial Corp.		Sheet	3 of 8



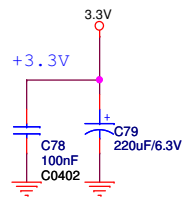
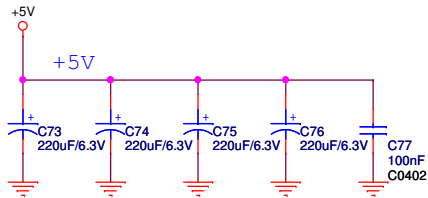
Design By	Thomas Liu	Approve By	James Chiu
Date	Monday, October 26, 2020	Date	2013/10/4
Title Interface RS232			
Size	Document Number Bezel 8+ SAM board	Rev	A.1
Uniform Industrial Corp.		Sheet	4 of 8



Design By		Approve By	
Date Monday, October 26, 2020		Date	
Title Battery			
Size	Document Number Bezel 8+ SAM board		Rev A.1
Uniform Industrial Corp.		Sheet	5 of 8



2019111144-fix



Design By	Thomas Liu	Approve By	James Chiu
Date	Monday, October 26, 2020	Date	2013/10/4
Title Power			
Size	Document Number Bezel 8+ SAM board	Rev	A.1
Uniform Industrial Corp.		Sheet	6 of 8

100M Link /ACT  
 1 Ethernet\_LED1 >> 100M Link /ACT\_LED  
 1 Ethernet\_RXIP >> Ethernet\_RXIP  
 1 Ethernet\_RXIN >> Ethernet\_RXIN

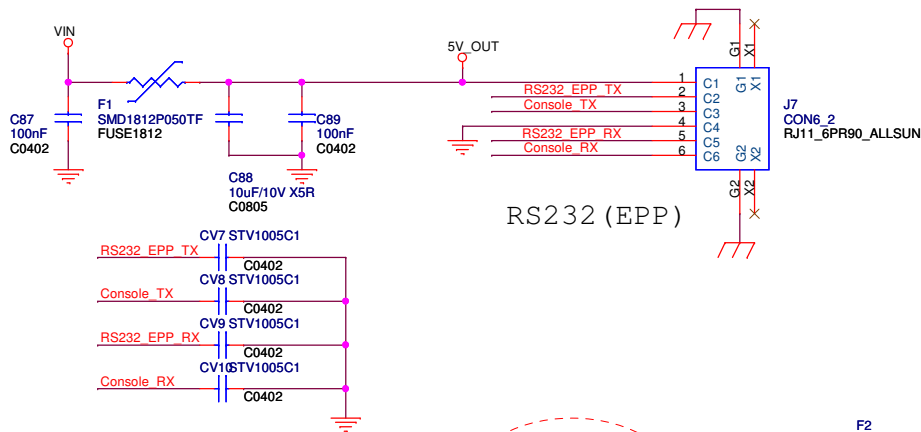
4 RS232\_DEX\_T >> RS232\_DEX\_TX  
 4 RS232\_DEX\_R >> RS232\_DEX\_RX  
 1 OTG >> OTG  
 1 USB\_OTG\_D- >> USB\_OTG\_D+  
 1 USB\_OTG\_D+ >> USB\_OTG\_D-

Ethernet\_TXOP >> Ethernet\_TXOP 1  
 Ethernet\_TXON >> Ethernet\_TXON 1  
 LINK\_LED >> Ethernet\_LED2 1

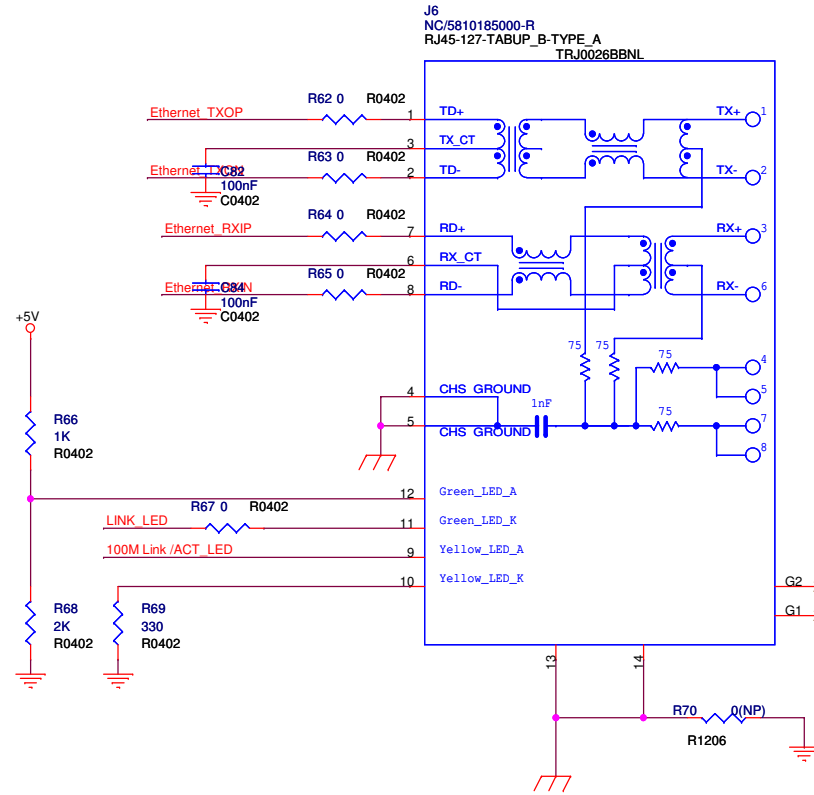
RS232\_EPP\_TX >> RS232\_EPP\_TX 4  
 RS232\_EPP\_RX >> RS232\_EPP\_RX 4  
 GIOP\_SEL\_1 >> interface\_type\_out 1  
 Console\_TX >> Console\_TX 4  
 Console\_RX >> Console\_RX 4

RS232\_DEX\_TX/RX:RJ50  
 Console\_TX:RJ11 console  
 RS232\_EPP\_TX/RX:RJ11 aux

RJ11 TO EPP



RS232 (EPP)



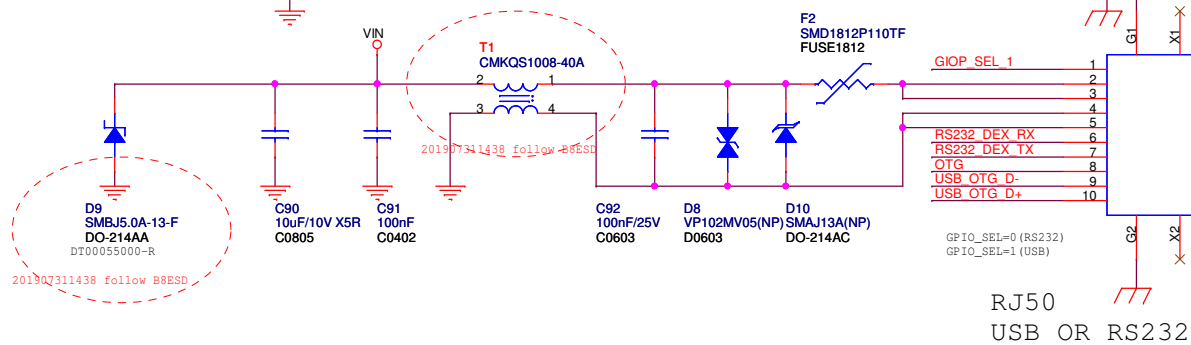
C81  
 Ethernet\_TXON 12pF(NP) C0402

C83  
 Ethernet\_TXON 12pF(NP) C0402

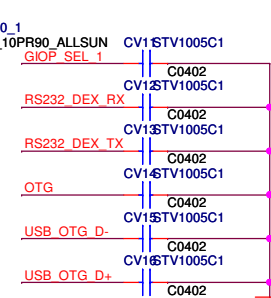
C85  
 Ethernet\_RXIP 12pF(NP) C0402

C86  
 Ethernet\_RXIN 12pF(NP) C0402

GPIO\_SEL\_1: The pin have connected to 5V in cable (com port)

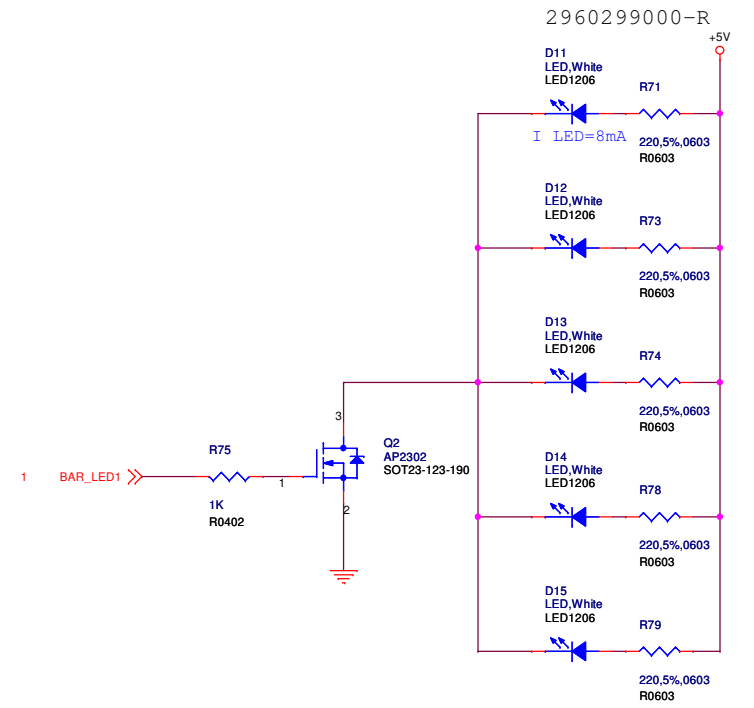


RJ50  
 USB OR RS232



Design By	Thomas Liu	Approve By	James Chiu
Date	Monday, October 26, 2020	Date	2013/9/6
Title Interface			
Size	Document Number Bezel 8 I/O board	Rev	A.1
Uniform Industrial Corp.		Sheet	7 of 8





Title		
<Title>		
Size	Document Number	Rev
A3	<Doc>	A
Date:	Monday, October 26, 2020	Sheet 8 of 8