

SIFLEX01 TRANSCEIVER MODULE

Block Diagram / Theory of Operation - Confidential



Last updated
October 23rd, 2012



Table of Contents

1	Introduction	3
1.1	<i>Purpose & Scope.....</i>	3
1.2	<i>Revision History.....</i>	3
2	Block Diagram	4
3	Theory of Operation	5



1 Introduction

1.1 Purpose & Scope

The purpose of this document is to provide a description of the SiFLEX01 radio module's Block Diagram and Theory of Operation.

1.2 Revision History

Date	Change Description	Revision
1/30/2012	Initial release.	1.0
10/23/2012	Added details on the CC1190 FEM.	1.1

Table 1 Revision History



2 Block Diagram

The block diagram for the SiFLEX01 Radio Module is presented below.

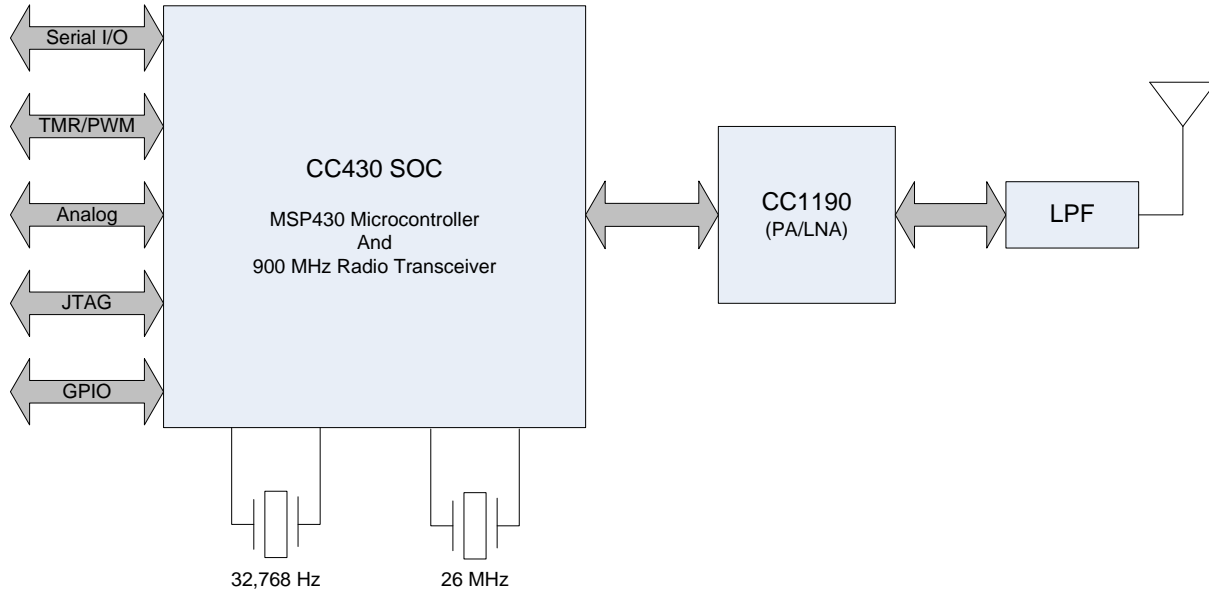


Figure 1 - SiFLEX01 Block Diagram



3 Theory of Operation

The SiFLEX01 Module is a radio module that implements a sub-1 GHz Texas Instruments CC1101 radio transceiver and a Texas Instruments MSP430 microcontroller into a CC430 SOC (System on Chip). The radio transceiver is supported by a Texas Instruments CC1190 FEM (Front End Module).

The CC1190 is a range extender that integrates a Power Amplifier (PA), a Low Noise Amplifier (LNA), switches, and RF matching in a single package. The CC1190 is core component on the module and is controlled via control signals from the CC430. A low pass filter is included on the common path between the FEM and the antenna terminal.

All of the radio functions use an on-module 26 MHz crystal oscillator as the frequency reference. An additional on-module 32 kHz crystal oscillator is used for low-power operation of the on-chip MSP430 microcontroller.

The radio features a low-IF receiver. The received RF signal is amplified by a LNA and down-converted in quadrature to the intermediate frequency (IF). The I and Q signals are digitized at the IF. Automatic gain control (AGC), fine channel filtering, and demodulation bit/packet synchronization are performed digitally.

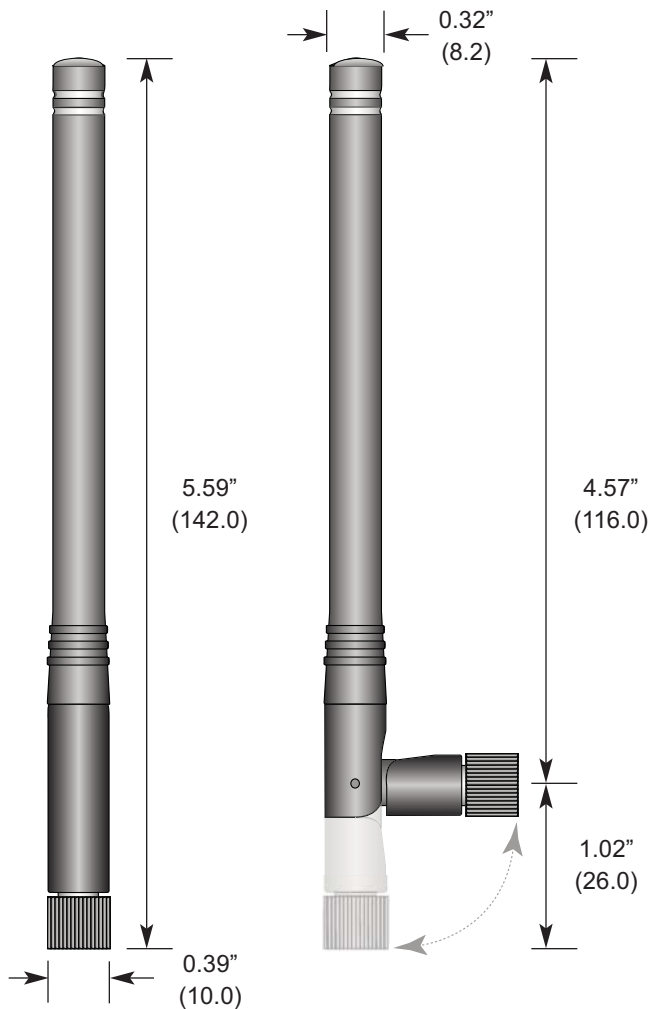
The transmitter part is based on direct synthesis of the RF frequency. The frequency synthesizer includes a completely on-chip LC VCO and a 90 degrees phase shifter for generating the I and Q LO signals to the down-conversion mixers in receive mode.

The 26 MHz crystal oscillator generates the reference frequency for the synthesizer, as well as clocks for the ADC and the digital part.

A digital baseband includes support for channel configuration, packet handling, and data buffering.

A memory mapped register interface is used for data access, configuration, and status request by the microcontroller.

Product Dimensions



Description



HWR Series 1/2-wave center-fed dipole antennas deliver outstanding performance in a rugged and cosmetically attractive package. The articulating base allows the antenna to tilt 90 degrees and rotate 360 degrees. The antenna's internal counterpoise eliminates external ground plane dependence and maximizes performance. HWR Series antennas attach via a standard SMA or Part 15 compliant RP-SMA connector. Custom colors and connectors are available for volume OEM customers.

Features

- Internal counterpoise
- Low cost
- Tilts and rotates
- Omni-directional pattern
- Outstanding VSWR
- Rugged & damage-resistant
- Standard SMA or Part 15 compliant RP-SMA connector
- Custom colors and terminations for volume OEMs
- Internal O-ring seal on connector

Electrical Specifications

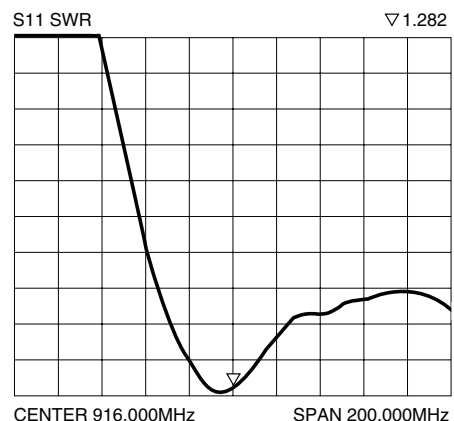
- Center Freq. 916MHz
- Recmd. Freq. Range 900-930MHz
- Wavelength 1/2-wave
- VSWR <2.0 typ. at center
- Impedance 50 ohms
- Connector RP-SMA or SMA

Electrical specifications and plots measured on 4.00" x 4.00" reference ground plane

Ordering Information

- ANT-916-CW-HWR-RPS (with RP-SMA connector)
- ANT-916-CW-HWR-SMA (with SMA connector)

Polar Plot & Gain Information



Typical VSWR

902 MHz – 928 MHz Dipole 2dBi Antenna for Reverse Polarity SMA



ORDERING INFORMATION

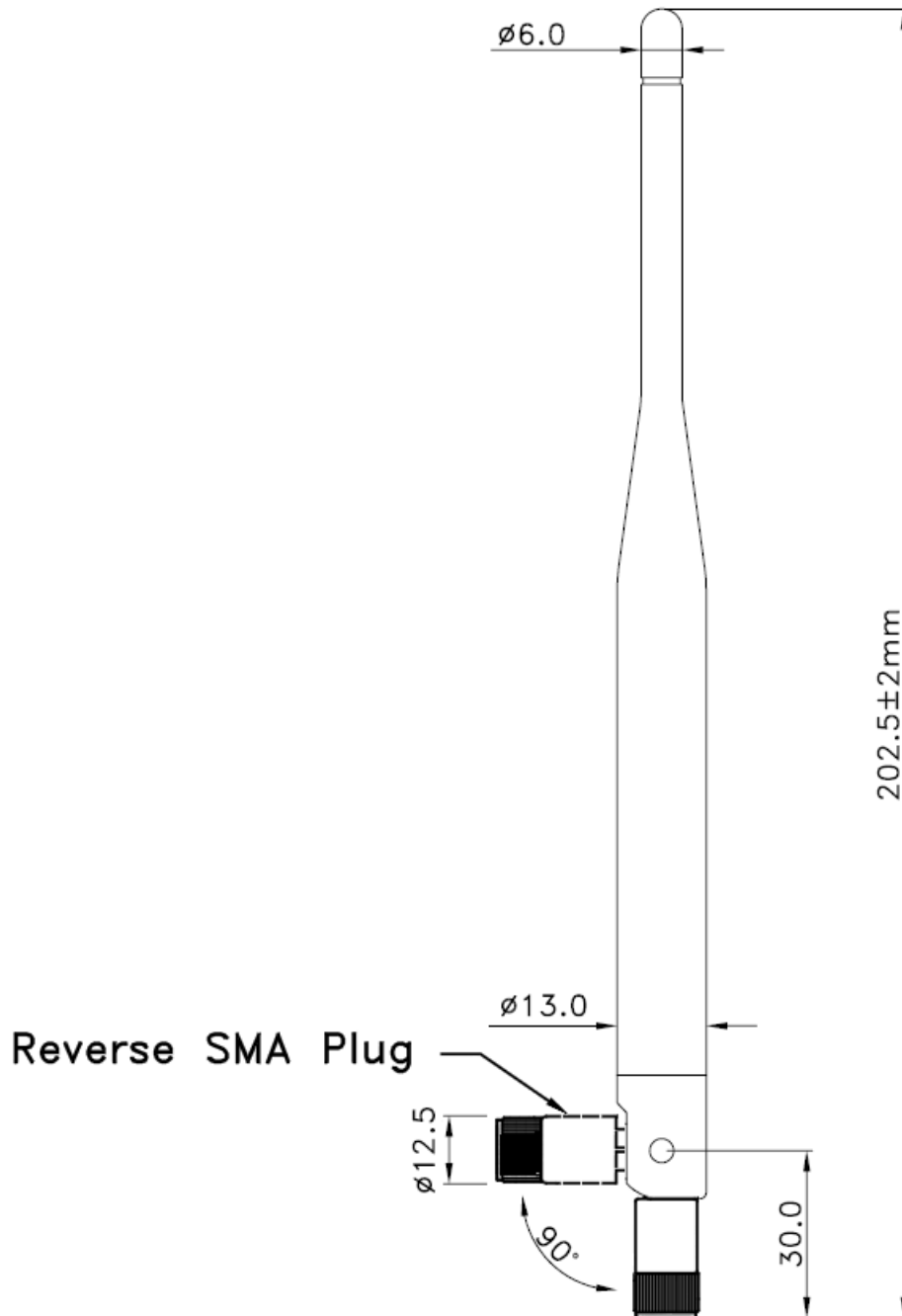
Order Number	Description
001-0002	900 MHz dipole antenna for reverse polarity SMA connector.

SPECIFICATIONS

Specification	Value
Gain	+2 dBi
Impedance	50 ohms
Type	Dipole
Polarization	Linear Vertical
VSWR	≤2.5 : 1
Frequency	~902-928 MHz centered at 915 MHz
Weight	13g
Size	210×10 mm
Antenna Color	Black

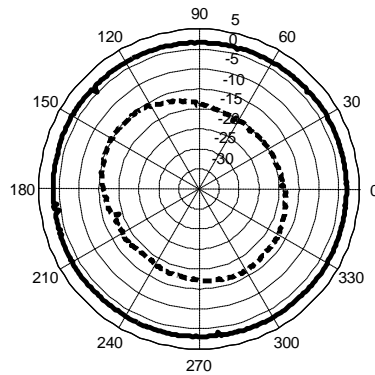
The information in this document is subject to change without notice.
Confirm the data is current by downloading the latest revision from www.lsr.com.

PHYSICAL DIMENSIONS (MM)



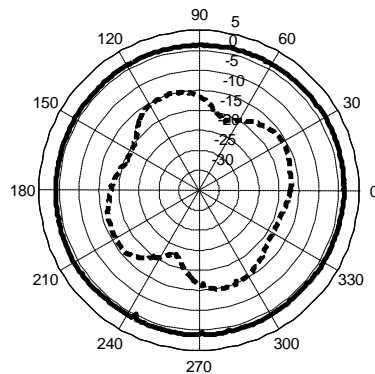
The information in this document is subject to change without notice.
Confirm the data is current by downloading the latest revision from www.lsr.com.

ANTENNA MEASUREMENTS



___ Vertical Polarization Gain (dBi) min: +0.2 max: +2.1 avg: +1.7
 ---- Horizontal Polarization Gain (dBi) min: -16.0 max: -9.6 avg: -12.7

Figure 1 Extended Position, Vertical



___ Vertical Polarization Gain (dBi) min: -0.1 max: +1.6 avg: +1.1
 ---- Horizontal Polarization Gain (dBi) min: -17.9 max: -9.6 avg: -12.6

Figure 2 Folded Position, Vertical

CONTACTING LS RESEARCH

Headquarters	LS Research, LLC W66 N220 Commerce Court Cedarburg, WI 53012-2636 USA Tel: 1(262) 375-4400 Fax: 1(262) 375-4248
Website	www.lsr.com
Technical Support	support@lsr.com
Sales Contact	sales@lsr.com

The information in this document is provided in connection with LS Research (hereafter referred to as “LSR”) products. No license, express or implied, by estoppel or otherwise, to any intellectual property right is granted by this document or in connection with the sale of LSR products. EXCEPT AS SET FORTH IN LSR’S TERMS AND CONDITIONS OF SALE LOCATED ON LSR’S WEB SITE, LSR ASSUMES NO LIABILITY WHATSOEVER AND DISCLAIMS ANY EXPRESS, IMPLIED OR STATUTORY WARRANTY RELATING TO ITS PRODUCTS INCLUDING, BUT NOT LIMITED TO, THE IMPLIED WARRANTY OF MERCHANTABILITY, FITNESS FOR A PARTICULAR PURPOSE, OR NON-INFRINGEMENT. IN NO EVENT SHALL LSR BE LIABLE FOR ANY DIRECT, INDIRECT, CONSEQUENTIAL, PUNITIVE, SPECIAL OR INCIDENTAL DAMAGES (INCLUDING, WITHOUT LIMITATION, DAMAGES FOR LOSS OF PROFITS, BUSINESS INTERRUPTION, OR LOSS OF INFORMATION) ARISING OUT OF THE USE OR INABILITY TO USE THIS DOCUMENT, EVEN IF LSR HAS BEEN ADVISED OF THE POSSIBILITY OF SUCH DAMAGES. LSR makes no representations or warranties with respect to the accuracy or completeness of the contents of this document and reserves the right to make changes to specifications and product descriptions at any time without notice. LSR does not make any commitment to update the information contained herein. Unless specifically provided otherwise, LSR products are not suitable for, and shall not be used in, automotive applications. LSR’s products are not intended, authorized, or warranted for use as components in applications intended to support or sustain life.