

Electrical Properties:


Frequency Range: 2.4~2.5 GHz  
 Impedance: 50Ω nominal  
 VSWR: <2.0:1  
 Gain: 2 dBi(without ext. cable)  
 Radiation: Omni  
 Polarization: Vertical  
 Wave: Half Wave Dipole

\*Gain is measured under no flying lead.

Mechanical Properties:

Cable: M17/93-RG178 Coaxial Cable with L inches.  
 Material:  
 Whip: Polyurethane(Black)  
 Swivel Joint: Polyurethane(Black)  
 Clip Nut: Polycarbonate(Black)  
 Operation Temp.: -20°C to +65°C  
 Storage Temp.: -30°C to +75°C

Connector Code - XXX -	Description	P / N
RMM	MMCX Right Angle Plug	S131CL - L - RMM - 2450S
MM	MMCX Straight Plug	S131CL - L - MM - 2450S
NC	No Connector (Stripped)	S131CL - L - NC - 2450S

TITLE	2.4GHz flying lead panel click antenna		DATE	SHEET
			111804	1 of 4
UNIT	DWG. NO.	S131CL - L - XXX - 2450S		
in.(mm)				
SCALE				
none				



Recommended Mounting - Hole Dimensions

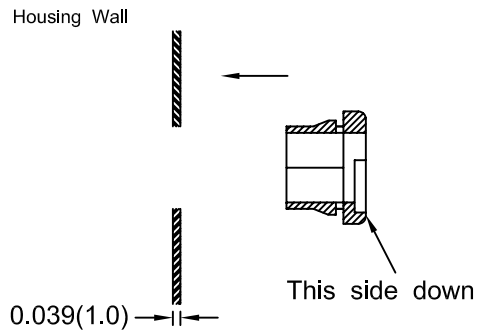
L (inch)	Attenuation (dB)
3"	0.20 dB
4"	0.27 dB
5"	0.33 dB
6"	0.40 dB
8"	0.53 dB
10"	0.66 dB
12"	0.79 dB

Flying Lead Cable Length v.s. Attenuation Table  
Standard M17/93-RG178 Cable Measured @ 2.4GHz

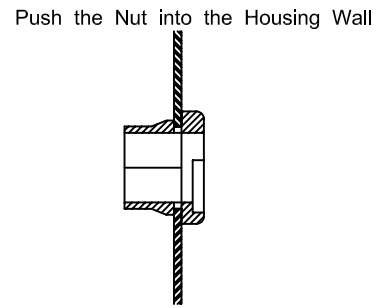
TITLE	2.4GHz flying lead panel click antenna	DATE	111804	SHEET	2 of 4
UNIT	DWG. NO.	S131CL - L - XXX - 2450S			
in.(mm)	<b>NEARSON</b>				
SCALE					
none					

Patent Protected - US6.518.928

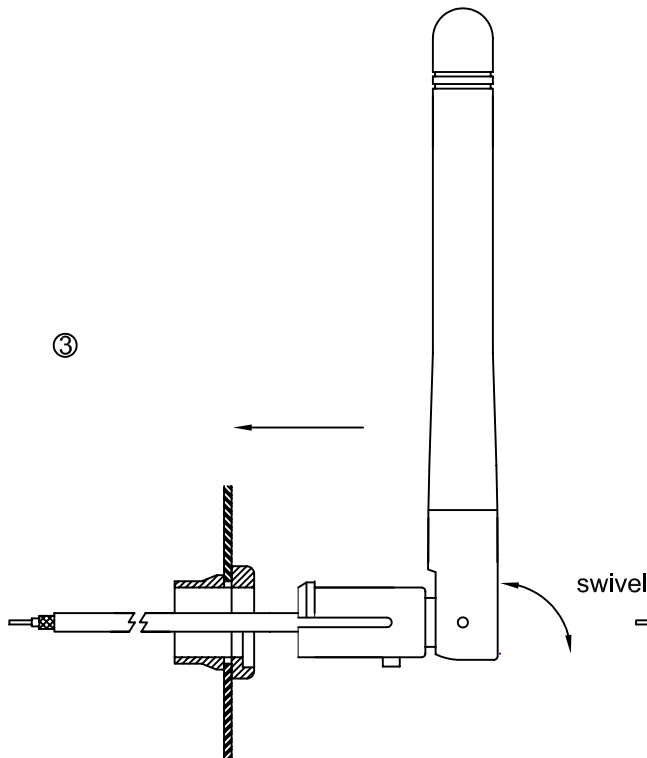
①



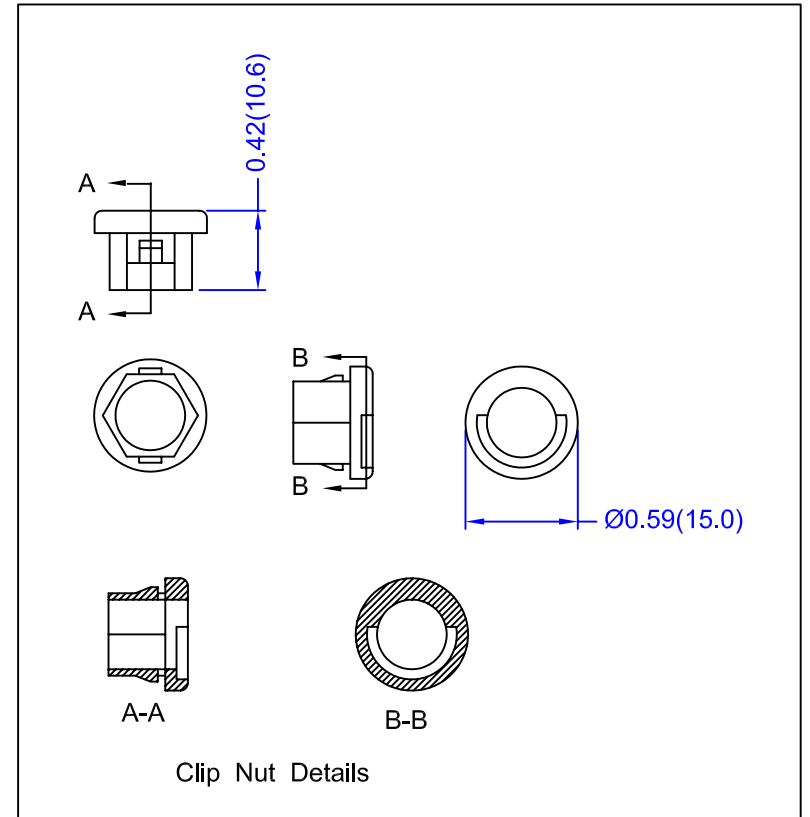
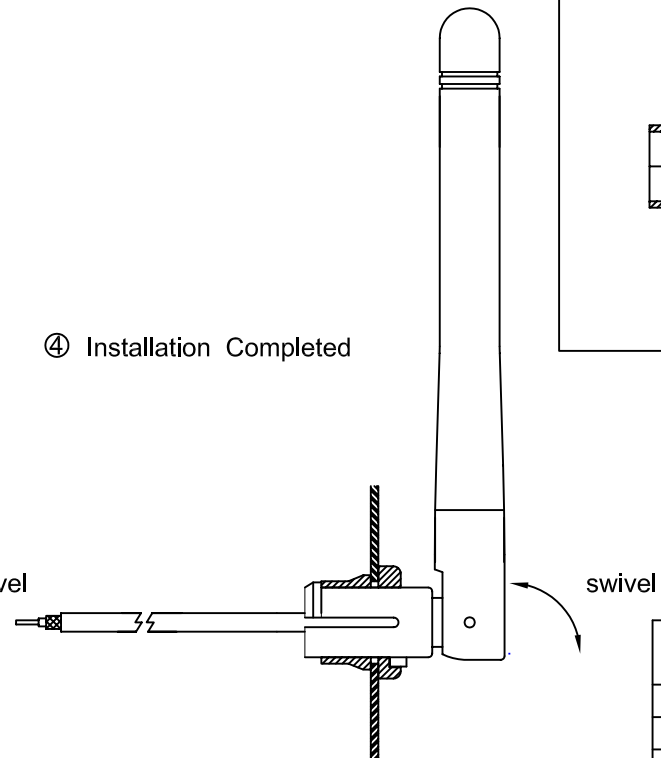
②



③



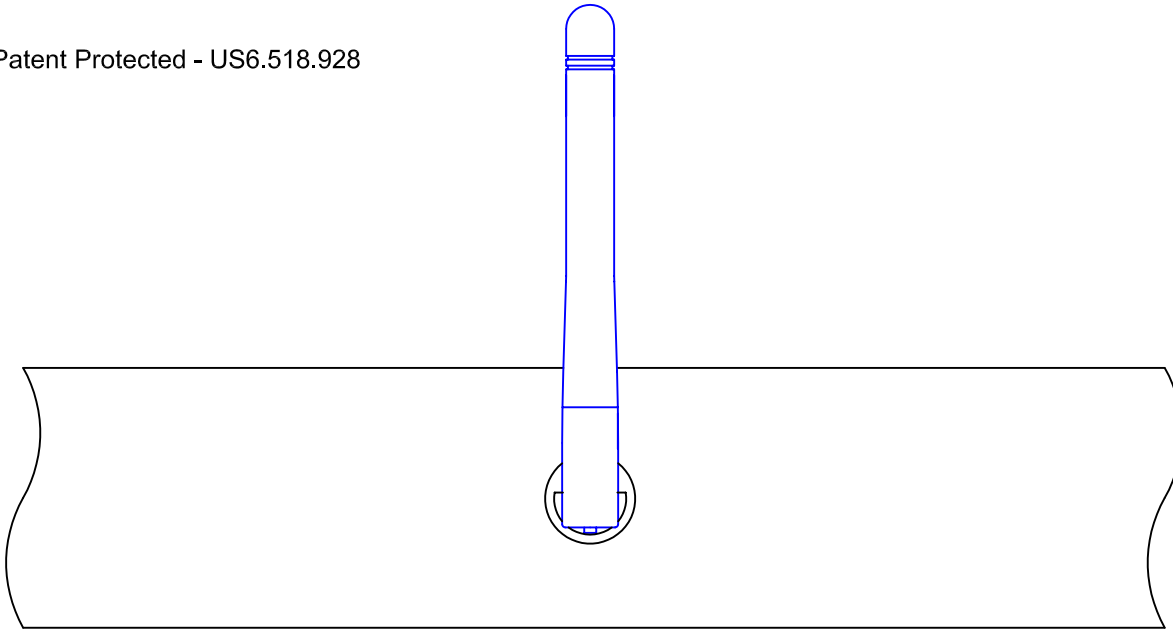
④ Installation Completed



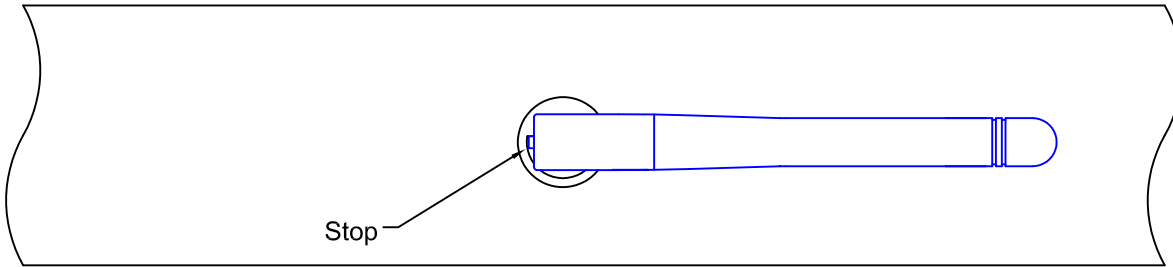
TITLE	2.4GHz flying lead panel click antenna	DATE	111804	SHEET	3 of 4
UNIT	DWG. NO.	S131CL - L - XXX - 2450S			
in.(mm)					
SCALE					
none					

**NEARSON**

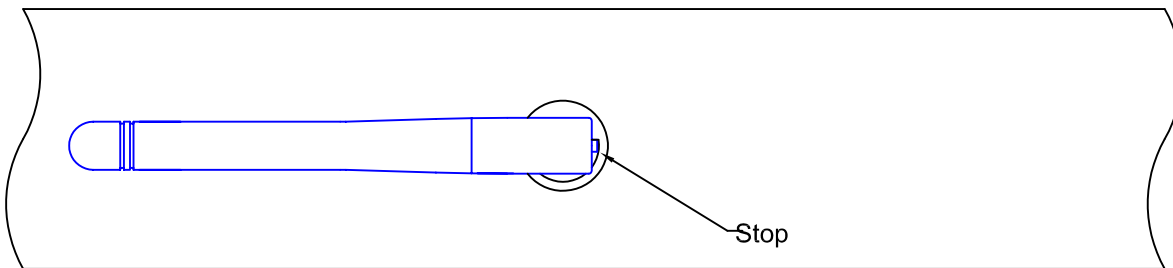
Patent Protected - US6.518.928



Antenna Upward



Rotation +90°



Rotation -90°

1. 131CL model can also rotate in panel parallel direction.
2. Rotate in -90° to +90° prevent the cable over-twisted inside the device.
3. The antenna can stay in any angle between -90° and +90°.

TITLE	2.4GHz flying lead panel click antenna	DATE	111804	SHEET	4 of 4
UNIT	DWG. NO.	S131CL - L - XXX - 2450S			
in.(mm)					
SCALE					
none		<b>NEARSON</b>			