

### Read this before using your Radio control Vehicle

#### 1. Remove "Try Me battery Pack"

- Take off the try me battery pack from the packaging.
- Disconnect the "Jack" from the bottom of vehicle.
- Loosen screw with a screwdriver (not included) and open the battery cover of the controller and disconnect the "Jack" from controller.
- Batteries for try me pack not for re-use.

#### 2. Install Battery In Controller

- Loosen screw with a screwdriver (not included) and lift up the battery cover of the controller.
- Insert 8 x AA size alkaline battery (not included) following the indicated polarity ("+" and "-"). (See Diagram 1)
- Replace the battery cover secure it with the screw.

#### 3. Install Battery In Vehicle (7.2V rechargeable Ni-Cd battery included)

- Push the On/Off switch to "OFF" position.
- Unlock and lift up the battery cover of the vehicle.
- Plug the jack tightly.
- Put the battery pack inside properly. (See Diagram 2)
- Replace the battery cover secure it by turning the slug.

#### 4. Operating RC vehicle

- Switch "ON" both the vehicle and the controller.
- Operating light on the controller will turn on.
- The vehicle can be switch on to either silent mode and sound mode by pushing the On/Off button towards "ON" or "Speaker".
- Make sure the antenna of controller is fully extended to get the best transmission.
- Push the trigger of controller to inward direction, car moves forward.
- Pull the trigger of controller outward direction, car moves backward.
- Release the trigger of controller, car stops.
- Turn the steering wheel to left and push the trigger of controller, car turns left.
- Turn the steering wheel to right and push the trigger of controller, car turns right.
- The headlight of the car turns on when it is moving forward. The rear light of the car turns on when it is moving backward.
- Do not let the car get out of transmitting range, as you will have no control of the car. The range varies due to surroundings.
- Turn all switches "OFF" and remove all batteries when it is not used. Car operation varies from 25-35 minutes, it depends on how the car is used, and the age of the batteries.

#### 5. Wheel Alignment

- Occasionally the car may sway left or right while moving forward or backward.
- The steering can be adjusted with the trim switch at the bottom of chassis area. Push either left or right until you have made the adjustment to maintain a straight path of movement.

#### 6. Things You Should Know

- Radio interference can cause the car to react strangely.
- Another car operating on the same frequency can disrupt your controlling of the car.
- CB's cellular telephones, two way radios and other transmitting devices as well high tension wire may cause interference with operation.
- The car sometimes cause interference with television or even radio reception.
- Do not use the car in mud, water, snow or sand.
- Do not crash the car into any object at high speed.
- When the car slows down, it is time to charge new batteries.
- When the operating light on the controller becomes weak, it is time to change new battery.
- Do not leave the car in direct sunlight for lengthy periods.

#### Warning

- Non-rechargeable batteries are not to be recharged.
- Rechargeable batteries are to be removed from the toy before being charged.
- Rechargeable batteries only to be charged under adult supervision.
- Different types of batteries or new and used batteries are not to be mixed.
- Only batteries of the same or equivalent type as recommended are to be used.

#### Note

THE MANUFACTURER IS NOT RESPONSIBLE FOR ANY RADIO OR TV INTERFERENCE CAUSED BY UNAUTHORIZED MODIFICATIONS TO THIS EQUIPMENT. SUCH MODIFICATIONS COULD VOID THE USER'S AUTHORITY TO OPERATE THE EQUIPMENT.

This equipment has been tested and found to comply with the limits for a Class B digital device, pursuant to Part 15 of the FCC Rules.

These limits are designed to provide reasonable protection against harmful interference in a residential installation.

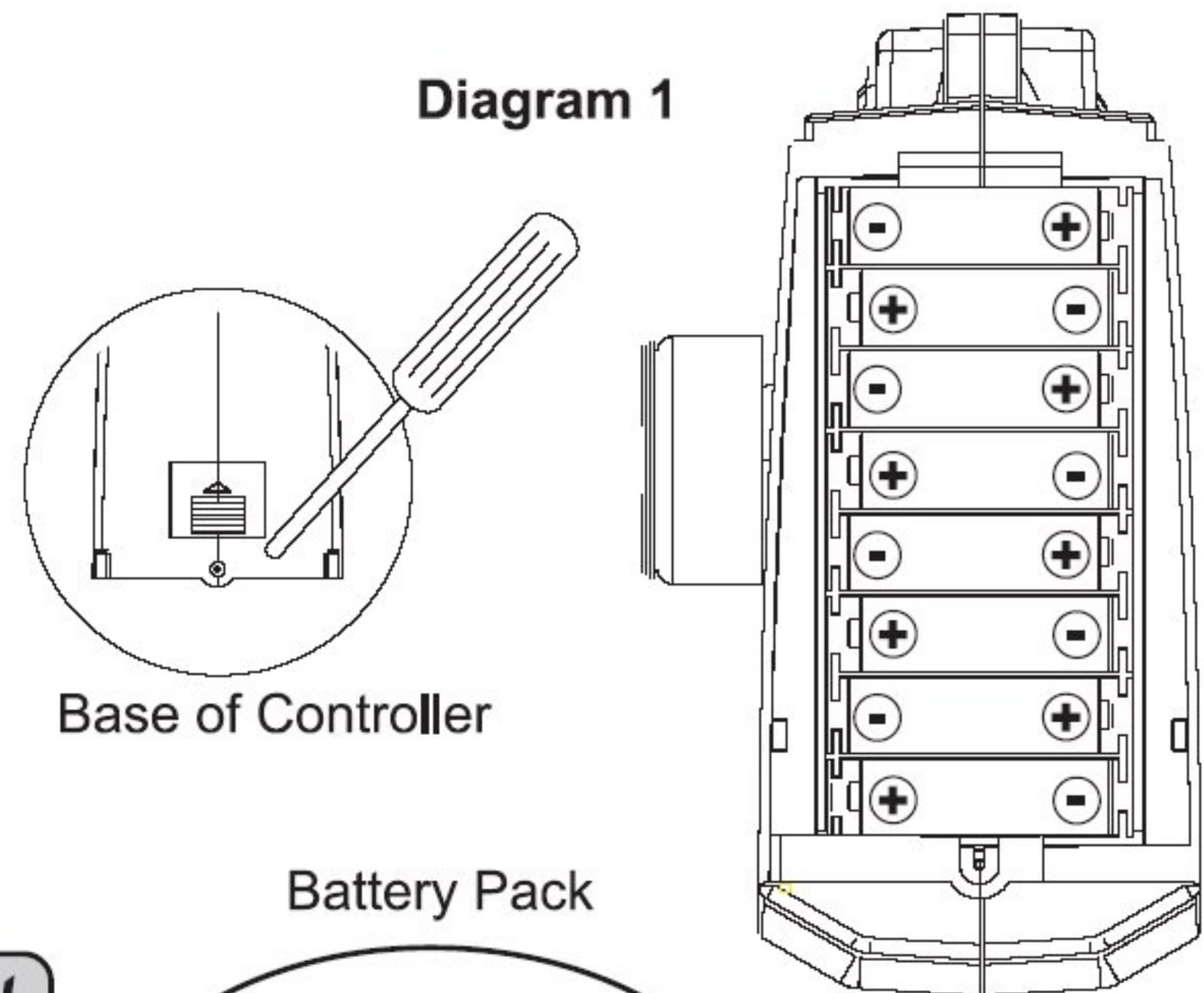
This equipment generates, uses and can radiate radio frequency energy and, if not installed and used in accordance with the instructions, may cause harmful interference to radio communications. However, there is no guarantee that interference will not occur in a particular installation.

If this equipment does cause harmful interference to radio or television reception, which can be determined by turning the equipment off and on, the user is encouraged to try to correct the interference by one or more of the following measures:

- Reorient or relocate the receiving antenna.
- Increase the separation between the equipment and receiver.
- Connect the equipment into an outlet on a circuit different from that to which the receiver is connected.
- Consult the dealer or an experienced radio/TV technician for help.

- Batteries are to be inserted with the correct polarity.
- Old batteries are to be removed from the toy.
- The supply terminals are not to be short-circuited.
- To prolong the use of your vehicle, after long continuous play, the RC Vehicle may shut down to self cool.

Diagram 1



Base of Controller

Battery Pack

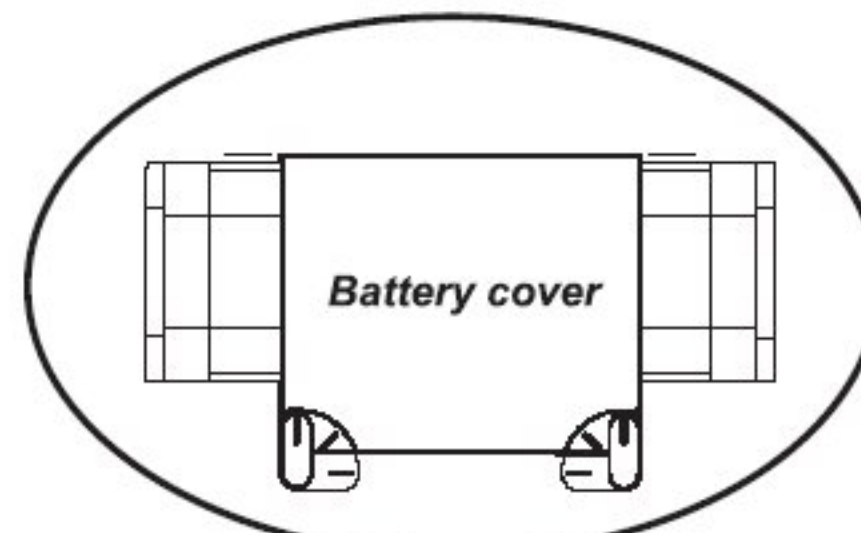
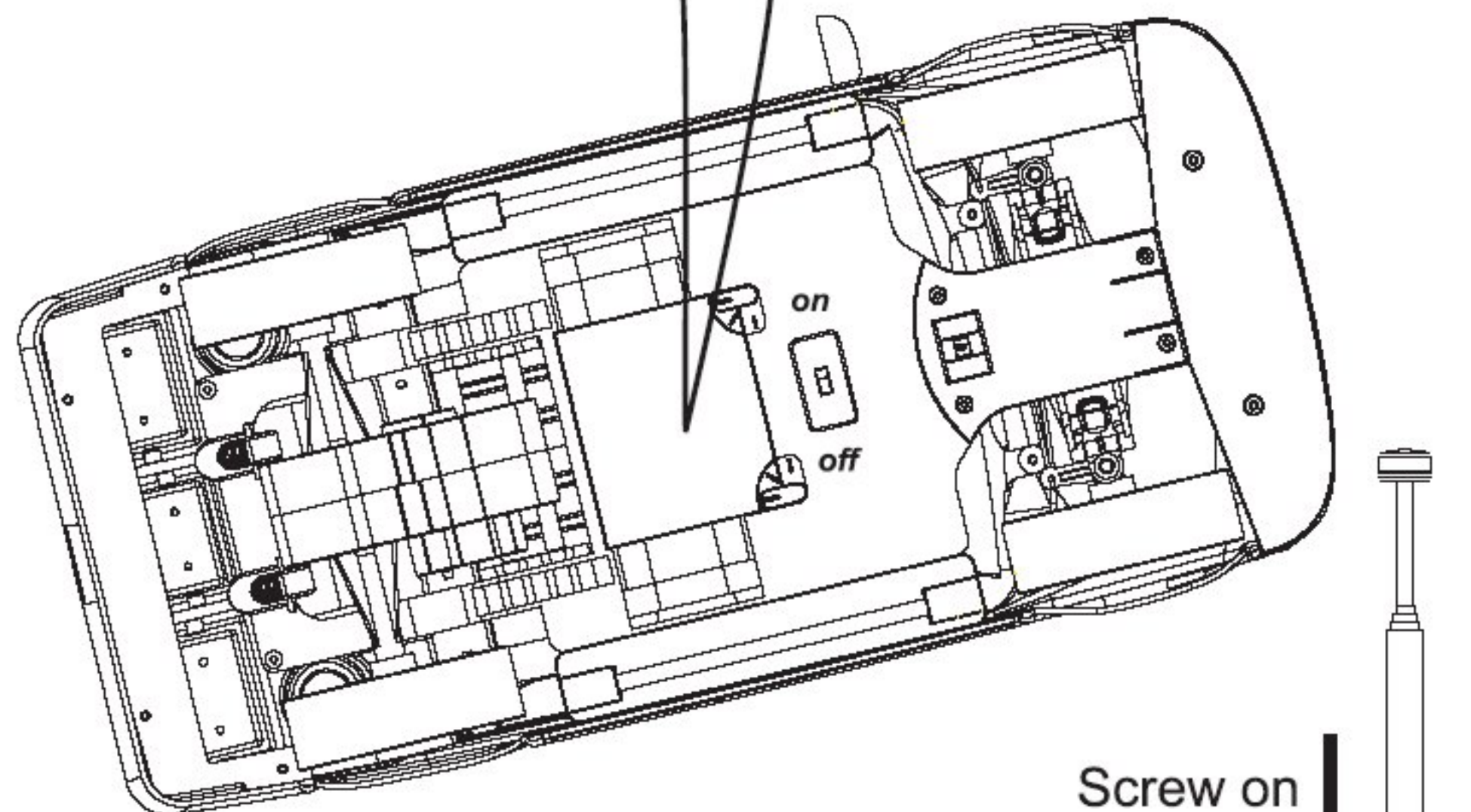


Diagram 2



Indicating Light

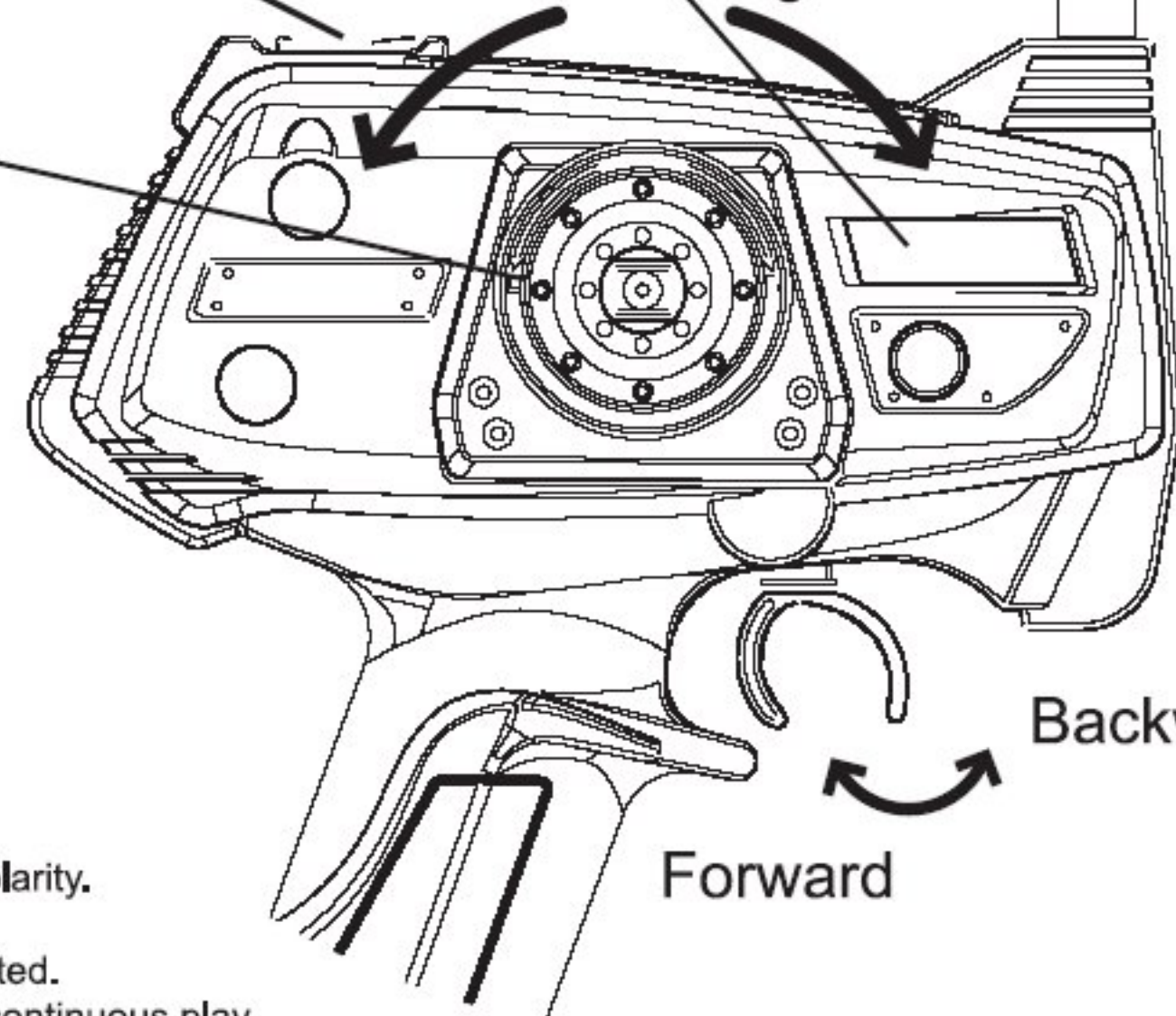
Screw on Antenna

Switch

Left

Right

Steering Wheel



Forward

Backward

#### FCC Notice!

This device complies with part 15 of the FCC Rules. Operation is subject to the following two conditions: (1) this device may not cause harmful interference, and (2) this device must accept any interference received, including interference that may cause undesired operation.