
Request for Class II Permissive Change

FCC ID: TE7WR1043NX

Date: 2011-9-15

Please be notified that we, the undersigned, TP-LINK TECHNOLOGIES CO., LTD declare that the reason for this Class II permissive change is as below:

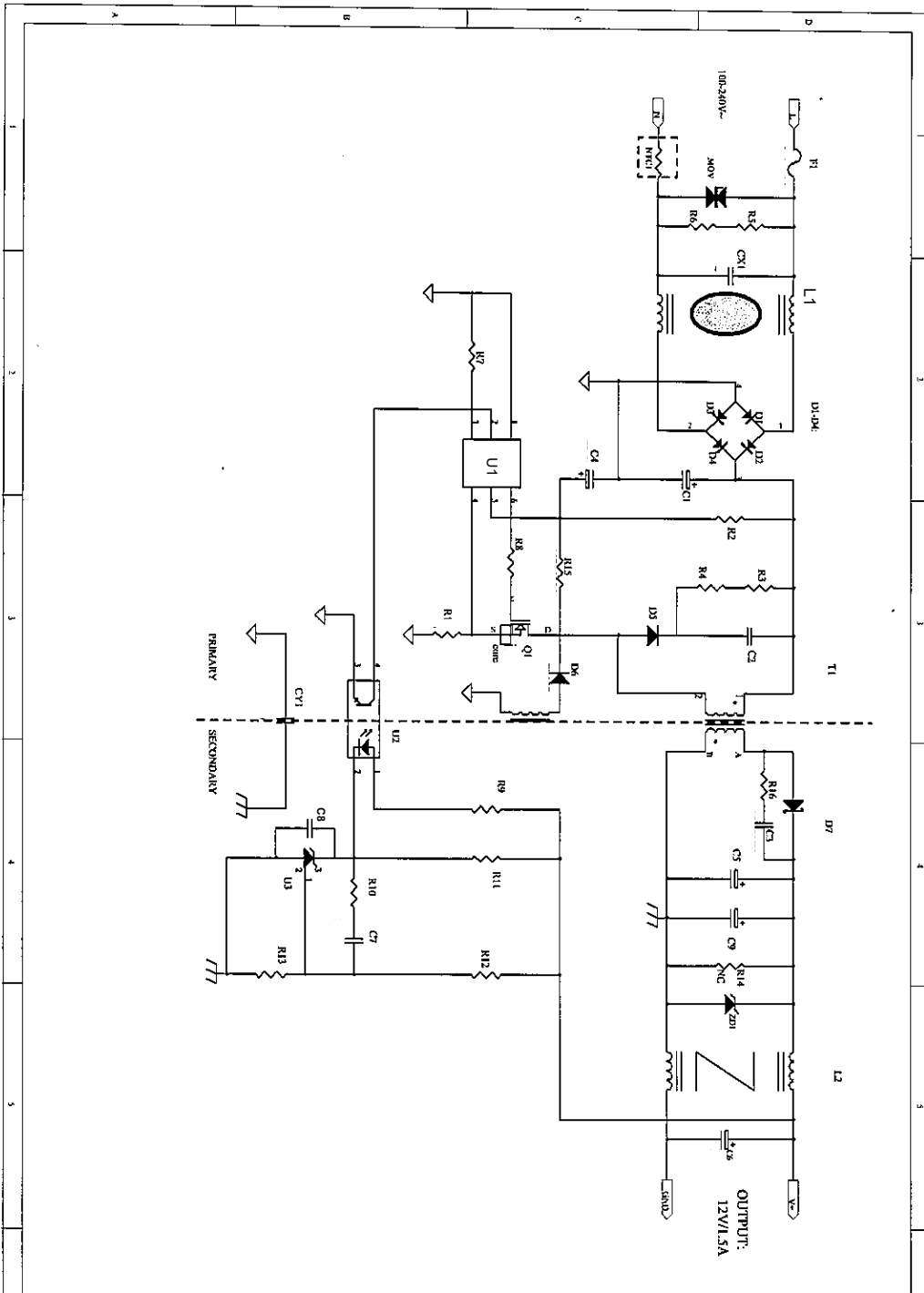
1. Product name;
2. The External Power Adapter that supplied the certified product.


Please refer to below form for details:

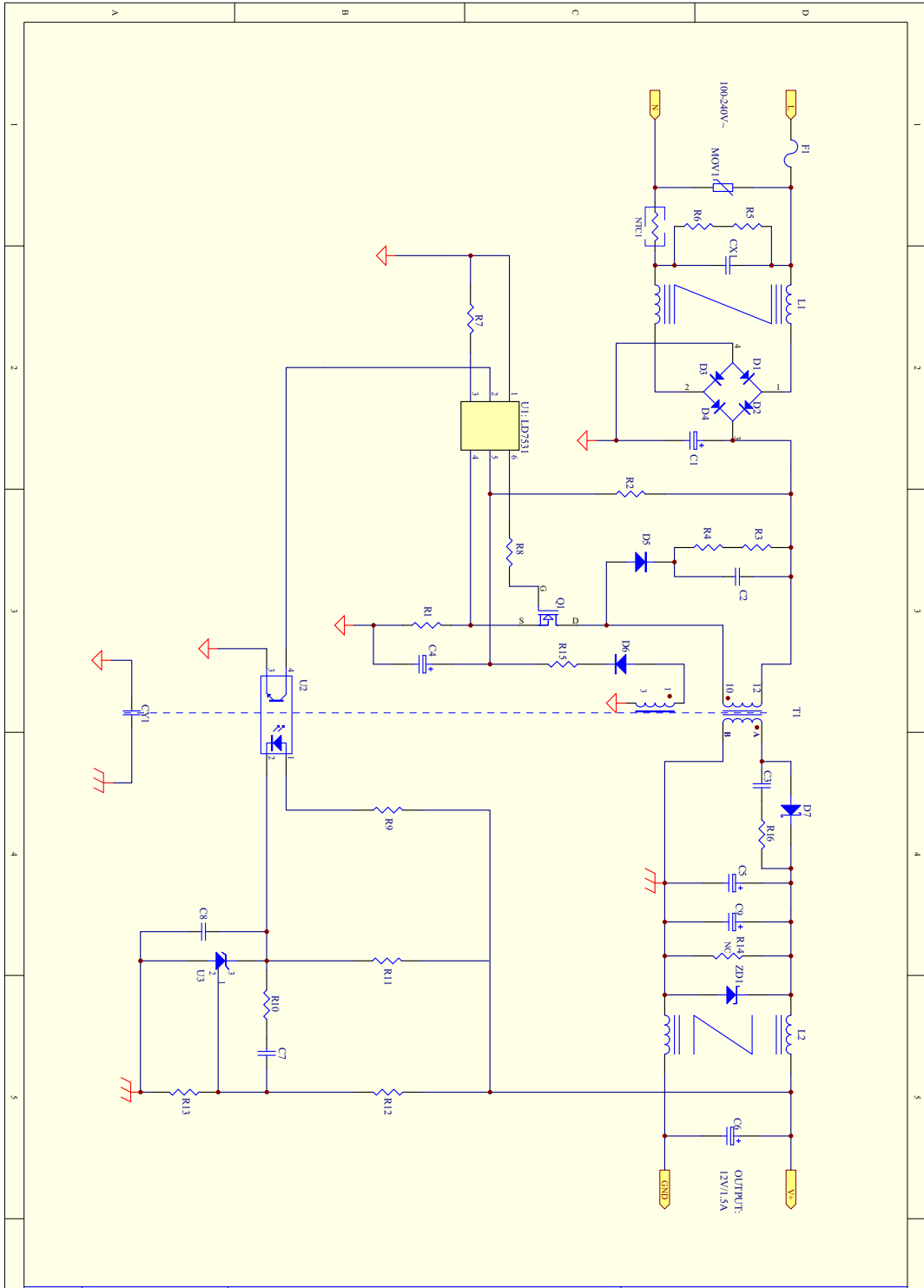
1. The old name: Wireless N Gigabit Router
The new name: Ultimate Wireless N Gigabit Router
2. The differences of the External Power Adapters are shown as below:
 - A. the efficiency rate of the adapter is updated from IV to V;
 - B. The critical components R1, R2, R11, U1 and CX1 are different; please refer to the attachment A in Page 2(the original adapter) and attachemt B in Page 3(the new adapter) for more details.

Yongquan . Wang

Name of authorized signer: Yongquan Wang
Title of authorized signer: Product Dept. Manager
Company Name: TP-LINK Technologies Co., Ltd.
Tel: 86-755-26525554
Fax: 86-755-26508930
Web site: WWW.TP-LINK.COM
E-mail: public@tp-link.com.cn




REV	DATE	DESCRIPTION	SCALE:
0	2009/08/05		ISSUED DATE:
Prepared by: Emma Shen		designer:	checked by: George Tan
			Approved by: ARTHUR
 立德電子有限公司 LEADER ELECTRONICS INC		ITEM NO: SCHEMATIC 16-0574-B	DESIGN NO: MU18-2 12V/1.5A
			SHEET: 1 OF 1



REV	DATE	DESCRIPTION	SCALE:
0	2010/12/24		

Prepared by: Emma Shen designer: Emma Shen checked by: George Tan Approved by: ARTHUR

 立德電子有限公司 LEADER ELECTRONICS INC	ITEM NO: 16-0574-J	DESIGN NO: SCH-MU18-21120-06	SHEET: 1 OF 1
--	-----------------------	---------------------------------	------------------