



SAR TEST REPORT

REPORT NO.: SA970602L13

MODEL NO.: TL-WN821N

RECEIVED: Jun. 02, 2008

TESTED: Aug. 26, 2008

ISSUED: Aug. 28, 2008

APPLICANT: TP-LINK TECHNOLOGIES CO., LTD.

ADDRESS: Building 7, Second Part, Honghualing Industrial Zone, Xili town, Nanshan, Shenzhen, P. R. China

ISSUED BY: Advance Data Technology Corporation

LAB ADDRESS: No. 47, 14th Ling, Chia Pau Tsuen, Lin Kou Hsiang, Taipei Hsien 244, Taiwan, R.O.C.

TEST LOCATION: No. 19, Hwa Ya 2nd Rd, Wen Hwa Tsuen, Kwei Shan Hsiang, Taoyuan Hsien 333, Taiwan, R.O.C.

This test report consists of 41 pages in total except Appendix. It may be duplicated completely for legal use with the approval of the applicant. It should not be reproduced except in full, without the written approval of our laboratory. The client should not use it to claim product endorsement by TAF or any government agencies. The test results in the report only apply to the tested sample.





TABLE OF CONTENTS

| | | |
|-------|--|----|
| 1. | CERTIFICATION | 3 |
| 2. | GENERAL INFORMATION | 4 |
| 2.1 | GENERAL DESCRIPTION OF EUT | 4 |
| 2.2 | GENERAL DESCRIPTION OF APPLIED STANDARDS | 5 |
| 2.3 | GENERAL INFORMATION OF THE SAR SYSTEM | 6 |
| 2.4 | GENERAL DESCRIPTION OF THE SPATIAL PEAK SAR EVALUATION | 9 |
| 3. | DESCRIPTION OF SUPPORT UNITS | 13 |
| 4. | DESCRIPTION OF TEST MODES AND CONFIGURATIONS..... | 14 |
| 4.1. | DESCRIPTION OF ANTENNA LOCATION | 14 |
| 4.2. | DESCRIPTION OF ASSESSMENT POSITION | 15 |
| 4.3. | DESCRIPTION OF TEST MODE | 16 |
| 4.4. | SUMMARY OF TEST RESULTS | 17 |
| 5. | TEST RESULTS..... | 19 |
| 5.1 | TEST PROCEDURES | 19 |
| 5.2 | MEASURED SAR RESULTS | 21 |
| 5.3 | SAR LIMITS..... | 24 |
| 5.4 | RECIPES FOR TISSUE SIMULATING LIQUIDS | 25 |
| 5.5 | TEST EQUIPMENT FOR TISSUE PROPERTY | 28 |
| 6. | SYSTEM VALIDATION | 29 |
| 6.1 | TEST EQUIPMENT | 29 |
| 6.2 | TEST PROCEDURE | 30 |
| 6.3 | VALIDATION RESULTS | 32 |
| 6.4 | SYSTEM VALIDATION UNCERTAINTIES | 33 |
| 7. | MEASUREMENT SAR PROCEDURE UNCERTAINTIES | 34 |
| 7.1. | PROBE CALIBRATION UNCERTAINTY | 34 |
| 7.2. | ISOTROPY UNCERTAINTY | 35 |
| 7.3. | BOUNDARY EFFECT UNCERTAINTY..... | 35 |
| 7.4. | PROBE LINEARITY UNCERTAINTY | 36 |
| 7.5. | READOUT ELECTRONICS UNCERTAINTY | 36 |
| 7.6. | RESPONSE TIME UNCERTAINTY | 36 |
| 7.7. | INTEGRATION TIME UNCERTAINTY | 37 |
| 7.8. | PROBE POSITIONER MECHANICAL TOLERANCE | 38 |
| 7.9. | PROBE POSITIONING | 38 |
| 7.10. | PHANTOM UNCERTAINTY | 39 |
| 7.11. | DASY4 UNCERTAINTY BUDGET | 40 |
| 8. | INFORMATION ON THE TESTING LABORATORIES | 41 |
| | APPENDIX A: TEST CONFIGURATIONS AND TEST DATA | |
| | APPENDIX B: ADT SAR MEASUREMENT SYSTEM | |
| | APPENDIX C: PHOTOGRAPHS OF SYSTEM VALIDATION | |
| | APPENDIX D: SYSTEM CERTIFICATE & CALIBRATION | |



1. CERTIFICATION

PRODUCT: Wireless N USB Adapter

MODEL: TL-WN821N

BRAND: TP-LINK

APPLICANT: TP-LINK TECHNOLOGIES CO., LTD.

TESTED: Aug. 26, 2008

TEST SAMPLE: ENGINEERING SAMPLE

STANDARDS: **FCC Part 2 (Section 2.1093)**
FCC OET Bulletin 65, Supplement C (01-01)
RSS-102
IEEE 1528-2003

The above equipment (model: TL-WN821N) have been tested by **Advance Data Technology Corporation**, and found compliance with the requirement of the above standards. The test record, data evaluation & Equipment Under Test (EUT) configurations represented herein are true and accurate accounts of the measurements of the sample's EMC characteristics under the conditions specified in this report.

PREPARED BY : Andrea Hsia , **DATE:** Aug. 28, 2008
Andrea Hsia / Specialist

TECHNICAL
ACCEPTANCE : James Fan , **DATE:** Aug. 28, 2008
Responsible for RF James Fan / Engineer

APPROVED BY : Gary Chang , **DATE:** Aug. 28, 2008
Gary Chang / Assistant Manager

2. GENERAL INFORMATION

2.1 GENERAL DESCRIPTION OF EUT

| | | |
|--|---|------------------------------|
| PRODUCT | Wireless N USB Adapter | |
| MODEL NO. | TL-WN821N | |
| POWER SUPPLY | 5.0Vdc from host equipment | |
| CLASSIFICATION | Portable device, production unit | |
| MODULATION TYPE | CCK, DQPSK, DBPSK for DSSS, 64QAM, 16QAM, QPSK, BPSK for OFDM | |
| RADIO TECHNOLOGY | DSSS, OFDM | |
| TRANSFER RATE | 802.11b: 11.0/ 5.5/ 2.0/ 1.0Mbps 802.11g: 54.0/ 48.0/ 36.0/ 24.0/ 18.0/ 12.0/ 9.0/ 6.0Mbps Draft 802.11n: up to 270Mbps | |
| FREQUENCY RANGE | 2412MHz ~ 2462MHz | |
| NUMBER OF CHANNEL | 11 for 802.11b, 802.11g, draft 802.11n (20MHz) 7 for draft 802.11n (40MHz) | |
| CHANNEL FREQUENCIES UNDER TEST AND ITS CONDUCTED OUTPUT POWER | 802.11b | 802.11g |
| | 90.782mW / Ch1: 2412MHz | 167.880mW / Ch1: 2412MHz |
| | 99.312mW / Ch6: 2437MHz | 172.584mW / Ch6: 2437MHz |
| | 104.954mW / Ch11: 2462MHz | 179.061mW / Ch11: 2462MHz |
| | DRAFT 802.11n (20MHz) | DRAFT 802.11n (40MHz) |
| | 204.644mW / Ch1: 2412MHz | 248.313mW / Ch1: 2422MHz |
| | 220.293mW / Ch6: 2437MHz | 262.422mW / Ch4: 2437MHz |
| 221.309mW / Ch11: 2462MHz | 265.461mW / Ch7: 2452MHz | |
| AVERAGE SAR (1g) | 0.845W/kg | |
| ANTENNA TYPE | Printed antenna with 0dBi gain | |
| DATA CABLE | NA | |
| I/O PORTS | USB | |
| ACCESSORY DEVICES | NA | |

NOTE:

- The EUT incorporates a MIMO function. Physically, the EUT provides two completed transmitter and two receivers.

| MODULATION MODE | TX FUNCTION |
|-----------------------|-------------|
| 802.11b | 2TX |
| 802.11g | 2TX |
| Draft 802.11n (20MHz) | 2TX |
| Draft 802.11n (40MHz) | 2TX |

- The above EUT information was declared by manufacturer and for more detailed features description, please refer to the manufacturer's specifications or user's manual.



2.2 GENERAL DESCRIPTION OF APPLIED STANDARDS

According to the specifications of the manufacturer, this product must comply with the requirements of the following standards:

FCC Part 2 (2.1093)

FCC OET Bulletin 65, Supplement C (01- 01)

RSS-102

IEEE 1528-2003

All test items have been performed and recorded as per the above standards.

2.3 GENERAL INFORMATION OF THE SAR SYSTEM

DASY4 (software 4.7 Build 53) consists of high precision robot, probe alignment sensor, phantom, robot controller, controlled measurement server and near-field probe. The robot includes six axes that can move to the precision position of the DASY4 software defined. The DASY4 software can define the area that is detected by the probe. The robot is connected to controlled box. Controlled measurement server is connected to the controlled robot box. The DAE includes amplifier, signal multiplexing, AD converter, offset measurement and surface detection. It is connected to the Electro-optical coupler (ECO). The ECO performs the conversion from the optical into digital electric signal of the DAE and transfers data to the PC.

ET3DV6 ISOTROPIC E-FIELD PROBE

| | |
|----------------------------------|---|
| CONSTRUCTION | Symmetrical design with triangular core. Built-in optical fiber for surface detection system. Built-in shielding against static charges. PEEK enclosure material (resistant to organic solvents, e.g., glycolether). |
| FREQUENCY | 10MHz to 3GHz; Linearity: $\pm 0.2\text{dB}$ (30MHz to 3GHz) |
| DYNAMIC RANGE | $5\mu\text{W/g}$ to $> 100\text{mW/g}$; Linearity: $\pm 0.2\text{dB}$ |
| OPTICAL SURFACE DETECTION | $\pm 0.2\text{mm}$ repeatability in air and clear liquids over diffuse reflecting surfaces |
| DIMENSIONS | Overall length: 330mm (Tip Length: 16mm) Tip diameter: 6.8mm (Body diameter: 12mm) Distance from probe tip to dipole centers: 2.7mm |
| APPLICATION | General dosimetric measurements up to 3GHz Compliance tests of mobile phones Fast automatic scanning in arbitrary phantoms (ET3DV6) |

NOTE

1. The Probe parameters have been calibrated by the SPEAG. Please reference "APPENDIX D" for the Calibration Certification Report.
2. For frequencies above 800MHz, calibration in a rectangular wave-guide is used, because wave-guide size is manageable.
3. For frequencies below 800MHz, temperature transfer calibration is used because the wave-guide size becomes relatively large.



TWIN SAM V4.0

CONSTRUCTION The shell corresponds to the specifications of the Specific Anthropomorphic Mannequin (SAM) phantom defined in IEEE 1528-2003, EN 62209-1 and IEC 62209. It enables the dosimetric evaluation of left and right hand phone usage as well as body mounted usage at the flat phantom region. A cover prevents evaporation of the liquid. Reference markings on the phantom allow the complete setup of all predefined phantom positions and measurement grids by manually teaching three points with the robot.

SHELL THICKNESS $2 \pm 0.2\text{mm}$

FILLING VOLUME Approx. 25liters

DIMENSIONS Height: 810mm; Length: 1000mm; Width: 500mm

SYSTEM VALIDATION KITS:

CONSTRUCTION Symmetrical dipole with 1/4 balun enables measurement of feedpoint impedance with NWA matched for use near flat phantoms filled with brain simulating solutions. Includes distance holder and tripod adaptor

CALIBRATION Calibrated SAR value for specified position and input power at the flat phantom in brain simulating solutions

FREQUENCY 2450MHz

RETURN LOSS > 20dB at specified validation position

POWER CAPABILITY > 100W ($f < 1\text{GHz}$); > 40W ($f > 1\text{GHz}$)

OPTIONS Dipoles for other frequencies or solutions and other calibration conditions upon request

DEVICE HOLDER FOR SAM TWIN PHANTOM

CONSTRUCTION

The device holder for the mobile phone device is designed to cope with different positions given in the standard. It has two scales for the device rotation (with respect to the body axis) and the device inclination (with respect to the line between the ear reference points). The rotation centers for both scales is the ear reference point (ERP). Thus the device needs no repositioning when changing the angles. The holder has been made out of low-loss POM material having the following dielectric parameters: relative permittivity $\epsilon = 3$ and loss tangent $\delta = 0.02$. The amount of dielectric material has been reduced in the closest vicinity of the device, since measurements have suggested that the influence of the clamp on the test results could thus be lowered. The device holder for the portable device makes up of the polyethylene foam. The dielectric parameters of material close to the dielectric parameters of the air.

DATA ACQUISITION ELECTRONICS

CONSTRUCTION

The data acquisition electronics (DAE3) consists of a highly sensitive electrometer grade preamplifier with auto-zeroing, a channel and gain-switching multiplex, a fast 16 bit AD converter and a command decoder and control logic unit. Transmission to the measurement server is accomplished through an optical downlink for data and status information as well as an optical uplink for commands and the clock. The mechanical probe is mounting device includes two different sensor systems for frontal and sideways probe contacts. They are used for mechanical surface detection and probe collision detection. The input impedance of the DAE3 box is 200M Ω ; the inputs are symmetrical and floating. Common mode rejection is above 80 dB.

2.4 GENERAL DESCRIPTION OF THE SPATIAL PEAK SAR EVALUATION

The DASY4 post-processing software (SEMCAD) automatically executes the following procedures to calculate the field units from the micro-volt readings at the probe connector. The parameters used in the evaluation are stored in the configuration modules of the software:

| | | |
|--------------------|---------------------------|---|
| Probe parameters: | - Sensitivity | Norm _i , a _{i0} , a _{i1} , a _{i2} |
| | - Conversion factor | ConvF _i |
| | - Diode compression point | dcp _i |
| Device parameters: | - Frequency | F |
| | - Crest factor | Cf |
| Media parameters: | - Conductivity | σ |
| | - Density | ρ |

The first step of the evaluation is a linearization of the filtered input signal to account for the compression characteristics of the detector diode. The compensation depends on the input signal, the diode type and the DC-transmission factor from the diode to the evaluation electronics. If the exciting field is pulsed, the crest factor of the signal must be known to correctly compensate for peak power. The formula for each channel can be given as:

$$V_i = U_i + U_i^2 \cdot \frac{cf}{dcp_i}$$

| | | |
|------------------|----------------------------------|------------------|
| V _i | =compensated signal of channel i | (i = x, y, z) |
| U _i | =input signal of channel I | (i = x, y, z) |
| Cf | =crest factor of exciting field | (DASY parameter) |
| dcp _i | =diode compression point | (DASY parameter) |

From the compensated input signals the primary field data for each channel can be evaluated:

$$\text{E-field probes: } E_i = \sqrt{\frac{V_i}{\text{Norm}_i \cdot \text{ConvF}}}$$

$$\text{H-field probes: } H_i = \sqrt{V_i} \cdot \frac{a_{i0} + a_{i1}f + a_{i2}f^2}{f}$$

- V_i = compensated signal of channel i (i = x, y, z)
- Norm_i = sensor sensitivity of channel i $\mu\text{V}/(\text{V/m})^2$ for E-field Probes (i = x, y, z)
- ConvF = sensitivity enhancement in solution
- a_{ij} = sensor sensitivity factors for H-field probes
- f = carrier frequency [GHz]
- E_i = electric field strength of channel i in V/m
- H_i = magnetic field strength of channel i in A/m

The RSS value of the field components gives the total field strength (Hermitian magnitude):

$$E_{tot} = \sqrt{E_x^2 + E_y^2 + E_z^2}$$

The primary field data are used to calculate the derived field units.

$$SAR = E_{tot}^2 \cdot \frac{\sigma}{\rho \cdot 1'000}$$

- SAR = local specific absorption rate in mW/g
- E_{tot} = total field strength in V/m
- σ = conductivity in [mho/m] or [Siemens/m]
- ρ = equivalent tissue density in g/cm³

Note that the density is set to 1, to account for actual head tissue density rather than the density of the tissue simulating liquid. The entire evaluation of the spatial peak values is performed within the Post-processing engine (SEMCAD). The system always gives the maximum values for the 1g and 10g cubes. The algorithm to find the cube with highest averaged SAR is divided into the following stages:

1. The extraction of the measured data (grid and values) from the Zoom Scan
2. The calculation of the SAR value at every measurement point based on all stored data (A/D values and measurement parameters)
3. The generation of a high-resolution mesh within the measured volume
4. The interpolation of all measured values from the measurement grid to the high-resolution grid
5. The extrapolation of the entire 3-D field distribution to the phantom surface over the distance from sensor to surface
6. The calculation of the averaged SAR within masses of 1g and 10g.

The probe is calibrated at the center of the dipole sensors that is located 1 to 2.7mm away from the probe tip. During measurements, the probe stops shortly above the phantom surface, depending on the probe and the surface detecting system. Both distances are included as parameters in the probe configuration file. The software always knows exactly how far away the measured point is from the surface. As the probe cannot directly measure at the surface, the values between the deepest measured point and the surface must be extrapolated. The angle between the probe axis and the surface normal line is less than 30 degree.

In the Area Scan, the gradient of the interpolation function is evaluated to find all the extreme of the SAR distribution. The uncertainty on the locations of the extreme is less than 1/20 of the grid size. Only local maximum within -2dB of the global maximum are searched and passed for the Cube Scan measurement. In the Cube Scan, the interpolation function is used to extrapolate the Peak SAR from the lowest measurement points to the inner phantom surface (the extrapolation distance). The uncertainty increases with the extrapolation distance. To keep the uncertainty within 1% for the 1g and 10g cubes, the extrapolation distance should not be larger than 5mm.



The maximum search is automatically performed after each area scan measurement. It is based on splines in two or three dimensions. The procedure can find the maximum for most SAR distributions even with relatively large grid spacing. After the area scanning measurement, the probe is automatically moved to a position at the interpolated maximum. The following scan can directly use this position for reference, e.g., for a finer resolution grid or the cube evaluations. The 1g and 10g peak evaluations are only available for the predefined cube 7 x 7 x 7 scans. The routines are verified and optimized for the grid dimensions used in these cube measurements. The measured volume of 30 x 30 x 30mm contains about 30g of tissue. The first procedure is an extrapolation (incl. boundary correction) to get the points between the lowest measured plane and the surface. The next step uses 3D interpolation to get all points within the measured volume in a 1mm grid (42875 points). In the last step, a 1g cube is placed numerically into the volume and its averaged SAR is calculated. This cube is moved around until the highest averaged SAR is found. If the highest SAR is found at the edge of the measured volume, the system will issue a warning: higher SAR values might be found outside of the measured volume. In that case the cube measurement can be repeated, using the new interpolated maximum as the center.



3. DESCRIPTION OF SUPPORT UNITS

The EUT has been tested as an independent unit together with other necessary accessories or support units. The following support units or accessories were used to form a representative test configuration during the tests.

| NO. | PRODUCT | BRAND | MODEL NO. | SERIAL NO. | FCC ID |
|-----|----------|-------|-----------|------------|------------------|
| 1 | NOTEBOOK | HP | n6000 | CNU3480WP2 | FCC DoC Approved |

| NO. | SIGNAL CABLE DESCRIPTION OF THE ABOVE SUPPORT UNITS |
|-----|---|
| 1 | NA |

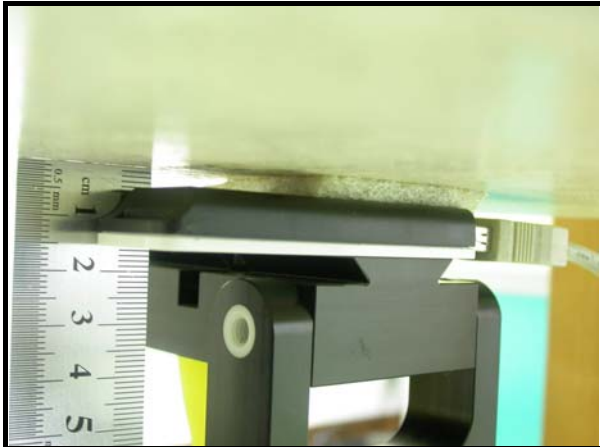
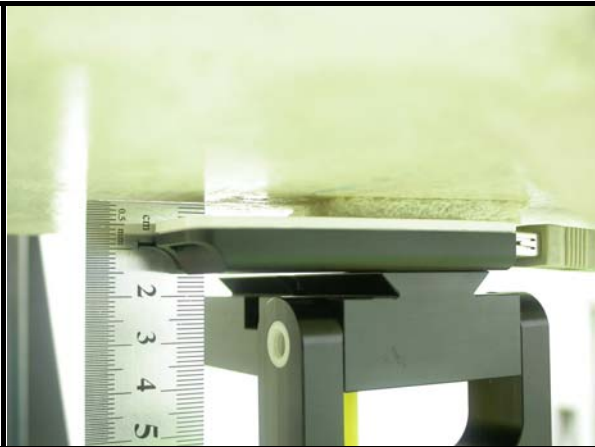




NOTE: All power cords of the above support units are non shielded (1.8m).

4. DESCRIPTION OF TEST MODES AND CONFIGURATIONS

4.1. DESCRIPTION OF ANTENNA LOCATION



4.2. DESCRIPTION OF ASSESSMENT POSITION

| | |
|--|---|
|  |  |
| <p>A: NOTEBOOK n6000 The bottom of the EUT with USB cable and faces to the phantom with 5mm-separation distance.</p> | <p>B: NOTEBOOK n6000 The front of the EUT with USB cable and faces to the phantom with 5mm-separation distance.</p> |
|  |  |
| <p>C: NOTEBOOK n6000 The left edge of the EUT with USB cable and faces to the phantom with 5mm-separation distance.</p> | <p>D: NOTEBOOK n6000 The right edge of the EUT with USB cable and faces to the phantom with 5mm-separation distance.</p> |
|  |  |
| <p>E: NOTEBOOK n6000 The Tip of the EUT with USB cable and faces to the phantom with 5mm-separation distance.</p> | <p>Foam rubber</p> |

4.3. DESCRIPTION OF TEST MODE

| ITEM | TEST MODE | MODULATION | ASSESSMENT POSITION | TESTED CHANNEL |
|------|-----------------------|------------|---------------------|----------------|
| 1 | 802.11b | DBPSK | A | 11 |
| 2 | 802.11g | BPSK | A | 11 |
| 3 | Draft 802.11n (20MHz) | BPSK | A | 11 |
| 4 | Draft 802.11n (40MHz) | BPSK | A | 1, 4, 7 |
| 5 | 802.11b | DBPSK | B | 11 |
| 6 | 802.11g | BPSK | B | 11 |
| 7 | Draft 802.11n (20MHz) | BPSK | B | 11 |
| 8 | Draft 802.11n (40MHz) | BPSK | B | 7 |
| 9 | 802.11b | DBPSK | C | 11 |
| 10 | 802.11g | BPSK | C | 11 |
| 11 | Draft 802.11n (20MHz) | BPSK | C | 11 |
| 12 | Draft 802.11n (40MHz) | BPSK | C | 7 |
| 13 | 802.11b | DBPSK | D | 11 |
| 14 | 802.11g | BPSK | D | 11 |
| 15 | Draft 802.11n (20MHz) | BPSK | D | 11 |
| 16 | Draft 802.11n (40MHz) | BPSK | D | 7 |
| 17 | 802.11b | DBPSK | E | 11 |
| 18 | 802.11g | BPSK | E | 11 |
| 19 | Draft 802.11n (20MHz) | BPSK | E | 11 |
| 20 | Draft 802.11n (40MHz) | BPSK | E | 7 |

4.4. SUMMARY OF TEST RESULTS

| ITEM | | 1 | 2 | 3 | ITEM | | 4 |
|-----------|-------------|----------------------------------|---------|-----------------------|-----------|-------------|----------------------------------|
| TEST MODE | | 802.11b | 802.11g | DRAFT 802.11n (20MHz) | TEST MODE | | DRAFT 802.11n (40MHz) |
| CHAN. | FREQ. (MHz) | MEASURED VALUE OF 1g SAR (W/kg) | | | CHAN. | FREQ. (MHz) | MEASURED VALUE OF 1g SAR (W/kg) |
| 1 | 2412 (Low) | - | - | - | 1 | 2422 (Low) | 0.730 |
| 6 | 2437 (Mid.) | - | - | - | 4 | 2437 (Mid.) | 0.792 |
| 11 | 2462 (High) | 0.773 | 0.655 | 0.765 | 7 | 2452 (High) | 0.845 |

| ITEM | | 5 | 6 | 7 | ITEM | | 8 |
|-----------|-------------|----------------------------------|---------|-----------------------|-----------|-------------|----------------------------------|
| TEST MODE | | 802.11b | 802.11g | DRAFT 802.11n (20MHz) | TEST MODE | | DRAFT 802.11n (40MHz) |
| CHAN. | FREQ. (MHz) | MEASURED VALUE OF 1g SAR (W/kg) | | | CHAN. | FREQ. (MHz) | MEASURED VALUE OF 1g SAR (W/kg) |
| 11 | 2462 (High) | 0.535 | 0.353 | 0.436 | 7 | 2452 (High) | 0.558 |

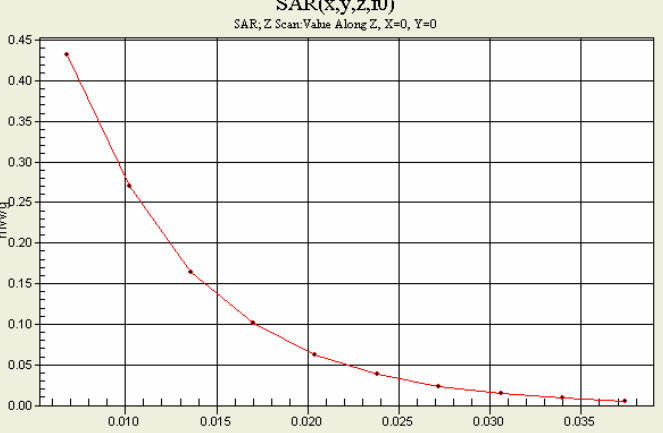
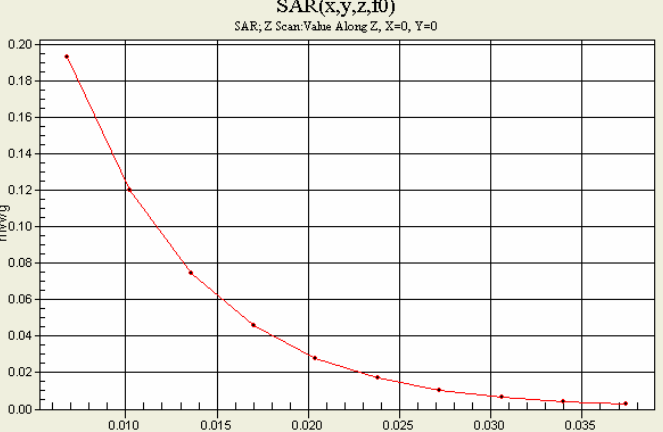
| ITEM | | 9 | 10 | 11 | ITEM | | 12 |
|-----------|-------------|----------------------------------|---------|-----------------------|-----------|-------------|----------------------------------|
| TEST MODE | | 802.11b | 802.11g | DRAFT 802.11n (20MHz) | TEST MODE | | DRAFT 802.11n (40MHz) |
| CHAN. | FREQ. (MHz) | MEASURED VALUE OF 1g SAR (W/kg) | | | CHAN. | FREQ. (MHz) | MEASURED VALUE OF 1g SAR (W/kg) |
| 11 | 2462 (High) | 0.305 | 0.249 | 0.273 | 7 | 2452 (High) | 0.331 |

| ITEM | | 13 | 14 | 15 | ITEM | | 16 |
|-----------|-------------|----------------------------------|---------|-----------------------|-----------|-------------|----------------------------------|
| TEST MODE | | 802.11b | 802.11g | DRAFT 802.11n (20MHz) | TEST MODE | | DRAFT 802.11n (40MHz) |
| CHAN. | FREQ. (MHz) | MEASURED VALUE OF 1g SAR (W/kg) | | | CHAN. | FREQ. (MHz) | MEASURED VALUE OF 1g SAR (W/kg) |
| 11 | 2462 (High) | 0.495 | 0.392 | 0.504 | 7 | 2452 (High) | 0.500 |

| ITEM | | 17 | 18 | 19 | ITEM | | 20 |
|-----------|-------------|----------------------------------|---------|-----------------------|-----------|-------------|----------------------------------|
| TEST MODE | | 802.11b | 802.11g | DRAFT 802.11n (20MHz) | TEST MODE | | DRAFT 802.11n (40MHz) |
| CHAN. | FREQ. (MHz) | MEASURED VALUE OF 1g SAR (W/kg) | | | CHAN. | FREQ. (MHz) | MEASURED VALUE OF 1g SAR (W/kg) |
| 11 | 2462 (High) | 0.094 | 0.079 | 0.098 | 7 | 2452 (High) | 0.098 |

NOTE: The worst value has been marked by boldface.

Followed Mobile and Portable device RF exposure policies (Document 44798 D01) section 2) b) ii), additional SAR requirement was evaluated. And here is the measured result of peak SAR value.

| TEST POSITION | SAR VALUE (mW/g) | PLOT |
|--------------------------------------|------------------|---|
| INITIAL POSITION | 0.432 |  <p>SAR(x,y,z,f0) SAR; Z Scan: Value Along Z, X=0, Y=0</p> <p>The plot shows SAR values in mW/g on the y-axis (0.00 to 0.45) versus distance in meters (m) on the x-axis (0.010 to 0.035). The curve starts at approximately 0.432 mW/g at 0.005 m and decays towards zero as distance increases.</p> |
| 5mm INCREMENTS FROM INITIAL POSITION | 0.193 |  <p>SAR(x,y,z,f0) SAR; Z Scan: Value Along Z, X=0, Y=0</p> <p>The plot shows SAR values in mW/g on the y-axis (0.00 to 0.20) versus distance in meters (m) on the x-axis (0.010 to 0.035). The curve starts at approximately 0.193 mW/g at 0.005 m and decays towards zero as distance increases.</p> |

THE WORST POSITION FROM EVALUATED RESULT: Initial position.

5. TEST RESULTS

5.1 TEST PROCEDURES

The EUT plugged into the notebook via USB cable. Use the software to control the EUT channel and transmission power. Then record the conducted power before the testing. Place the EUT to the specific test location. After the testing, must writing down the conducted power of the EUT into the report. The SAR value was calculated via the 3D spline interpolation algorithm that has been implemented in the software of DASY4 SAR measurement system manufactured and calibrated by SPEAG. According to the IEEE 1528 standards, the recommended procedure for assessing the peak spatial-average SAR value consists of the following steps:

- Power reference measurement
- Verification of the power reference measurement
- Area scan
- Zoom scan
- Power reference measurement

The area scan was performed for the highest spatial SAR location. The zoom scan with 30mm x 30mm x 30mm volume was performed for SAR value averaged over 1g and 10g spatial volumes.

In the zoom scan, the distance between the measurement point at the probe sensor location (geometric center behind the probe tip) and the phantom surface is 4.0mm and maintained at a constant distance of ± 1.0 mm during a zoom scan to determine peak SAR locations. The distance is 4mm between the first measurement point and the bottom surface of the phantom. The secondary measurement point to the bottom surface of the phantom is with 9mm separation distance. The cube size is 7 x 7 x 7 points consist of 343 points and the grid space is 5mm.

The measurement time is 0.5s at each point of the zoom scan. The probe boundary effect compensation shall be applied during the SAR test. Because of the tip of the probe to the Phantom surface separated distances are longer than half a tip probe diameter.

In the area scan, the separation distance is 4mm between the each measurement point and the phantom surface. The scan size shall be included the transmission portion of the EUT. The measurement time is the same as the zoom scan. At last the reference power drift shall be less than $\pm 5\%$.

5.2 MEASURED SAR RESULTS

| ENVIRONMENTAL CONDITION | | Air Temperature : 23.2° C, Liquid Temperature : 22.1° C Humidity : 65%RH | | | | | | |
|-------------------------|-------------|---|----------------------|------------|-----------------|---------------------------|------------------------|--|
| TESTED BY | | Sam Onn | | | DATE | | Aug. 26, 2008 | |
| CHAN. | FREQ. (MHz) | TEST MODE | CONDUCTED POWER (mW) | | POWER DRIFT (%) | DEVICE TEST POSITION MODE | MEASURED 1g SAR (W/kg) | |
| | | | BEGIN TEST | AFTER TEST | | | | |
| 11 | 2462 (High) | 802.11b | 104.954 | 103.737 | -1.16 | 1 | 0.773 | |
| 11 | 2462 (High) | 802.11g | 179.061 | 176.859 | -1.23 | 2 | 0.655 | |
| 11 | 2462 (High) | DRAFT 802.11n (20MHz) | 221.309 | 218.277 | -1.37 | 3 | 0.765 | |
| 1 | 2422 (Low) | DRAFT 802.11n (40MHz) | 248.313 | 244.762 | -1.43 | 4 | 0.730 | |
| 4 | 2437 (Mid.) | DRAFT 802.11n (40MHz) | 262.422 | 258.433 | -1.52 | 4 | 0.792 | |
| 7 | 2452 (High) | DRAFT 802.11n (40MHz) | 265.461 | 261.240 | -1.59 | 4 | 0.845 | |

NOTE:

1. Test configuration of each mode is described in section 3.
2. In this testing, the limit for General Population Spatial Peak averaged over 1g, **1.6 W/kg**, is applied.
3. Please see the Appendix A for the data.
4. The variation of the EUT conducted power measured before and after SAR testing should not over 5%.

| ENVIRONMENTAL CONDITION | | Air Temperature : 23.2° C, Liquid Temperature : 22.1° C Humidity : 65%RH | | | | | | |
|-------------------------|-------------|---|----------------------|------------|-----------------|---------------------------|------------------------|--|
| TESTED BY | | Sam Onn | | | DATE | | Aug. 26, 2008 | |
| CHAN. | FREQ. (MHz) | TEST MODE | CONDUCTED POWER (mW) | | POWER DRIFT (%) | DEVICE TEST POSITION MODE | MEASURED 1g SAR (W/kg) | |
| | | | BEGIN TEST | AFTER TEST | | | | |
| 11 | 2462 (High) | 802.11b | 104.954 | 103.768 | -1.13 | 5 | 0.535 | |
| 11 | 2462 (High) | 802.11g | 179.061 | 176.876 | -1.22 | 6 | 0.353 | |
| 11 | 2462 (High) | DRAFT 802.11n (20MHz) | 221.309 | 218.321 | -1.35 | 7 | 0.436 | |
| 7 | 2452 (High) | DRAFT 802.11n (40MHz) | 265.461 | 261.585 | -1.46 | 8 | 0.558 | |
| 11 | 2462 (High) | 802.11b | 104.954 | 103.348 | -1.53 | 9 | 0.305 | |
| 11 | 2462 (High) | 802.11g | 179.061 | 176.124 | -1.64 | 10 | 0.249 | |
| 11 | 2462 (High) | DRAFT 802.11n (20MHz) | 221.309 | 217.370 | -1.78 | 11 | 0.273 | |
| 7 | 2452 (High) | DRAFT 802.11n (40MHz) | 265.461 | 260.630 | -1.82 | 12 | 0.331 | |

NOTE:

1. Test configuration of each mode is described in section 3.
2. In this testing, the limit for General Population Spatial Peak averaged over 1g, **1.6 W/kg**, is applied.
3. Please see the Appendix A for the data.
4. The variation of the EUT conducted power measured before and after SAR testing should not over 5%.

| ENVIRONMENTAL CONDITION | | Air Temperature : 23.2° C, Liquid Temperature : 22.1° C Humidity : 65%RH | | | | | | |
|-------------------------|-------------|---|----------------------|------------|-----------------|---------------------------|------------------------|--|
| TESTED BY | | Sam Onn | | | DATE | | Aug. 26, 2008 | |
| CHAN. | FREQ. (MHz) | TEST MODE | CONDUCTED POWER (mW) | | POWER DRIFT (%) | DEVICE TEST POSITION MODE | MEASURED 1g SAR (W/kg) | |
| | | | BEGIN TEST | AFTER TEST | | | | |
| 11 | 2462 (High) | 802.11b | 104.954 | 102.928 | -1.93 | 13 | 0.495 | |
| 11 | 2462 (High) | 802.11g | 179.061 | 175.426 | -2.03 | 14 | 0.392 | |
| 11 | 2462 (High) | DRAFT 802.11n (20MHz) | 221.309 | 216.551 | -2.15 | 15 | 0.504 | |
| 7 | 2452 (High) | DRAFT 802.11n (40MHz) | 265.461 | 259.435 | -2.27 | 16 | 0.500 | |
| 11 | 2462 (High) | 802.11b | 104.954 | 102.446 | -2.39 | 17 | 0.094 | |
| 11 | 2462 (High) | 802.11g | 179.061 | 174.656 | -2.46 | 18 | 0.079 | |
| 11 | 2462 (High) | DRAFT 802.11n (20MHz) | 221.309 | 215.710 | -2.53 | 19 | 0.098 | |
| 7 | 2452 (High) | DRAFT 802.11n (40MHz) | 265.461 | 258.532 | -2.61 | 20 | 0.098 | |

NOTE:

1. Test configuration of each mode is described in section 3.
2. In this testing, the limit for General Population Spatial Peak averaged over 1g, **1.6 W/kg**, is applied.
3. Please see the Appendix A for the data.
4. The variation of the EUT conducted power measured before and after SAR testing should not over 5%.

5.3 SAR LIMITS

| HUMAN EXPOSURE | SAR (W/kg) | |
|--|--|--|
| | (GENERAL POPULATION / UNCONTROLLED EXPOSURE ENVIRONMENT) | (OCCUPATIONAL / CONTROLLED EXPOSURE ENVIRONMENT) |
| Spatial Average (whole body) | 0.08 | 0.4 |
| Spatial Peak (averaged over 1 g) | 1.6 | 8.0 |
| Spatial Peak (hands / wrists / feet / ankles averaged over 10 g) | 4.0 | 20.0 |

NOTE:

1. This limits accord to 47 CFR 2.1093 – Safety Limit.
2. The EUT property been complied with the partial body exposure limit under the general population environment.

5.4 RECIPES FOR TISSUE SIMULATING LIQUIDS

For the measurement of the field distribution inside the SAM phantom, the phantom must be filled with 25 liters of tissue simulation liquid.

The following ingredients are used :

- **WATER-** Deionized water (pure H₂O), resistivity ≈ 16 M - as basis for the liquid
- **SUGAR-** Refined sugar in crystals, as available in food shops - to reduce relative permittivity
- **SALT-** Pure NaCl - to increase conductivity
- **CELLULOSE-** Hydroxyethyl-cellulose, medium viscosity (75-125mPa.s, 2% in water, 20°C),
CAS # 54290 - to increase viscosity and to keep sugar in solution
- **PRESERVATIVE-** Preventol D-7 Bayer AG, D-51368 Leverkusen, CAS # 55965-84-9 - to prevent the spread of bacteria and molds
- **DGMBE-** Diethylenglycol-monobuthyl ether (DGMBE), Fluka Chemie GmbH, CAS # 112-34-5 - to reduce relative permittivity

THE RECIPES FOR 2450MHz SIMULATING LIQUID TABLE

| INGREDIENT | HEAD SIMULATING LIQUID 2450MHz (HSL-2450) | MUSCLE SIMULATING LIQUID 2450MHz (MSL-2450) |
|-------------------------------------|--|--|
| Water | 45% | 69.83% |
| DGMBE | 55% | 30.17% |
| Salt | NA | NA |
| Dielectric Parameters at 22°C | f= 2450MHz $\epsilon = 39.2 \pm 5\%$ $\sigma = 1.80 \pm 5\%$ S/m | f= 2450MHz $\epsilon = 52.7 \pm 5\%$ $\sigma = 1.95 \pm 5\%$ S/m |



Testing the liquids using the Agilent Network Analyzer E8358A and Agilent Dielectric Probe Kit 85070D. The testing procedure is following as

1. Turn Network Analyzer on and allow at least 30min. warm up.
2. Mount dielectric probe kit so that interconnecting cable to Network Analyzer will not be moved during measurements or calibration.
3. Pour de-ionized water and measure water temperature ($\pm 1^\circ$).
4. Set water temperature in Agilent-Software (Calibration Setup).
5. Perform calibration.
6. Validate calibration with dielectric material of known properties (e.g. polished ceramic slab with $>8\text{mm}$ thickness $\epsilon' = 10.0$, $\epsilon'' = 0.0$). If measured parameters do not fit within tolerance, repeat calibration (± 0.2 for ϵ' : ± 0.1 for ϵ'').
7. Conductivity can be calculated from ϵ'' by $\sigma = \omega \epsilon_0 \epsilon'' = \epsilon'' f [\text{GHz}] / 18$.
8. Measure liquid shortly after calibration. Repeat calibration every hour.
9. Stir the liquid to be measured. Take a sample ($\sim 50\text{ml}$) with a syringe from the center of the liquid container.
10. Pour the liquid into a small glass flask. Hold the syringe at the bottom of the flask to avoid air bubbles.
11. Put the dielectric probe in the glass flask. Check that there are no air bubbles in front of the opening in the dielectric probe kit.
12. Perform measurements.
13. Adjust medium parameters in DASY4 for the frequencies necessary for the measurements ('Setup Config', select medium (e.g. Brain 900MHz) and press 'Option'-button.
14. Select the current medium for the frequency of the validation (e.g. Setup Medium Brain 900MHz).

FOR 2.4GHz BAND SIMULATING LIQUID

| LIQUID TYPE | | HSL-2450 | | MSL-2450 | |
|--|-------------------------------------|---|-------------------|---|-------------------|
| SIMULATING LIQUID TEMP. | | NA | | 22.1 | |
| TEST DATE | | NA | | Aug. 26, 2008 | |
| TESTED BY | | NA | | Sam Onn | |
| FREQ. (MHz) | LIQUID PARAMETER | STANDARD VALUE | MEASUREMENT VALUE | STANDARD VALUE | MEASUREMENT VALUE |
| 2412.0 | Permittivity (ϵ) | NA | NA | 52.80 | 53.10 |
| 2422.0 | | NA | NA | 52.70 | 53.00 |
| 2437.0 | | NA | NA | 52.70 | 52.90 |
| 2450.0 | | NA | NA | 52.70 | 52.80 |
| 2452.0 | | NA | NA | 52.70 | 52.80 |
| 2462.0 | | NA | NA | 52.70 | 52.60 |
| 2412.0 | Conductivity (σ) S/m | NA | NA | 1.91 | 1.89 |
| 2422.0 | | NA | NA | 1.92 | 1.90 |
| 2437.0 | | NA | NA | 1.94 | 1.92 |
| 2450.0 | | NA | NA | 1.95 | 1.93 |
| 2452.0 | | NA | NA | 1.95 | 1.93 |
| 2462.0 | | NA | NA | 1.97 | 1.95 |
| Dielectric Parameters Required at 22°C | | f= 2450MHz $\epsilon = 39.2 \pm 5\%$ $\sigma = 1.80 \pm 5\% \text{ S/m}$ | | f= 2450MHz $\epsilon = 52.7 \pm 5\%$ $\sigma = 1.95 \pm 5\% \text{ S/m}$ | |



5.5 TEST EQUIPMENT FOR TISSUE PROPERTY

| ITEM | NAME | BAND | TYPE | SERIES NO. | DATE OF CALIBRATION | CALIBRATED UNTIL |
|------|------------------|---------|--------|------------|---------------------|------------------|
| 1 | Network Analyzer | Agilent | E8358A | US41480538 | Nov. 12, 2007 | Nov. 11, 2008 |
| 2 | Dielectric Probe | Agilent | 85070D | US01440176 | NA | NA |

NOTE:

1. Before starting, all test equipment shall be warmed up for 30min.
2. The tolerance ($k=1$) specified by Agilent for general dielectric measurements, deriving from inaccuracies in the calibration data, analyzer drift, and random errors, are usually $\pm 2.5\%$ and $\pm 5\%$ for measured permittivity and conductivity, respectively. However, the tolerances for the conductivity is smaller for material with large loss tangents, i.e., less than $\pm 2.5\%$ ($k=1$). It can be substantially smaller if more accurate methods are applied.

6. SYSTEM VALIDATION

The system validation was performed in the flat phantom with equipment listed in the following table. Since the SAR value is calculated from the measured electric field, dielectric constant and conductivity of the body tissue, and the SAR is proportional to the square of the electric field. So, the SAR value will be also proportional to the RF power input to the system validation dipole under the same test environment. In our system validation test, 250mW RF input power was used.

6.1 TEST EQUIPMENT

| ITEM | NAME | BAND | TYPE | SERIES NO. | DATE OF CALIBRATION | CALIBRATED UNTIL |
|------|-------------------|----------------------|--------------|------------|---------------------|------------------|
| 1 | SAM Phantom | S & P | QD000 P40 CA | TP-1150 | NA | NA |
| 2 | Signal Generator | Anritsu | 68247B | 984703 | May 27, 2008 | May 26, 2009 |
| 3 | E-Field Probe | S & P | ET3DV6 | 1790 | Nov. 20, 2007 | Nov. 19, 2008 |
| 4 | DAE | S & P | DAE | 510 | Aug. 29, 2007 | Aug. 28, 2008 |
| 5 | Robot Positioner | Staubli Unimation | NA | NA | NA | NA |
| 6 | Validation Dipole | S & P | D2450V2 | 737 | Apr. 22, 2008 | Apr. 21, 2009 |

NOTE: 1. Before starting the measurement, all test equipment shall be warmed up for 30min.

6.2 TEST PROCEDURE

Before the system performance check, we need only to tell the system which components (probe, medium, and device) are used for the system performance check; the system will take care of all parameters. The dipole must be placed beneath the flat section of the SAM Twin Phantom with the correct distance holder in place. The distance holder should touch the phantom surface with a light pressure at the reference marking (little cross) and be oriented parallel to the long side of the phantom. Accurate positioning is not necessary, since the system will search for the peak SAR location, except that the dipole arms should be parallel to the surface. The device holder for mobile phones can be left in place but should be rotated away from the dipole.

The "Power Reference Measurement" and "Power Drift Measurement" jobs are located at the beginning and end of the batch process. They measure the field drift at one single point in the liquid over the complete procedure. The indicated drift is mainly the variation of the amplifier output power. If it is too high (above ± 0.1 dB), the system performance check should be repeated; some amplifiers have very high drift during warm-up. A stable amplifier gives drift results in the DASY system below ± 0.02 dB.

The "Surface Check" job tests the optical surface detection system of the DASY system by repeatedly detecting the surface with the optical and mechanical surface detector and comparing the results. The output gives the detecting heights of both systems, the difference between the two systems and the standard deviation of the detection repeatability. Air bubbles or refraction in the liquid due to separation of the sugar-water mixture gives poor repeatability (above ± 0.1 mm). In that case it is better to abort the system performance check and stir the liquid. The difference between the optical surface detection and the actual surface depends on the probe and is specified with each probe. (It does not depend on the surface reflectivity or the probe angle to the surface within $\pm 30^\circ$.) However, varying breaking indices of different liquid compositions might also influence the distance. If the indicated difference varies from the actual setting, the probe parameter "optical surface

The "Area Scan" job measures the SAR above the dipole on a plane parallel to the surface. It is used to locate the approximate location of the peak SAR. The proposed scan uses large grid spacing for faster measurement; due to the symmetric field, the peak detection is reliable. If a finer graphic is desired, the grid spacing can be reduced. Grid spacing and orientation have no influence on the SAR result.

The "Zoom Scan" job measures the field in a volume around the peak SAR value assessed in the previous "Area Scan" job (for more information see the application note on SAR evaluation).

About the validation dipole positioning uncertainty, the constant and low loss dielectric spacer is used to establish the correct distance between the top surface of the dipole and the bottom surface of the phantom, the error component introduced by the uncertainty of the distance between the liquid (i.e., phantom shell) and the validation dipole in the DASY4 system is less than ± 0.1 mm.

$$SAR_{tolerance} [\%] = 100 \times \left(\frac{(a + d)^2}{a^2} - 1 \right)$$

As the closest distance is 10mm, the resulting tolerance $SAR_{tolerance} [\%]$ is <2%.



6.3 VALIDATION RESULTS

| SYSTEM VALIDATION TEST OF SIMULATING LIQUID | | | | | |
|---|---------------------|---------------------|---------------|---------------------|---------------|
| FREQUENCY (MHz) | REQUIRED SAR (mW/g) | MEASURED SAR (mW/g) | DEVIATION (%) | SEPARATION DISTANCE | TESTED DATE |
| MSL2450 | 13.10 (1g) | 12.90 | 0.78 | 10mm | Aug. 26, 2008 |
| TESTED BY | Sam Onn | | | | |

NOTE: Please see Appendix for the photo of system validation test.

6.4 SYSTEM VALIDATION UNCERTAINTIES

In the table below, the system validation uncertainty with respect to the analytically assessed SAR value of a dipole source as given in the IEEE 1528 standard is given. This uncertainty is smaller than the expected uncertainty for mobile phone measurements due to the simplified setup and the symmetric field distribution.

| Error Description | Tolerance (±%) | Probability Distribution | Divisor | (C _i) | | Standard Uncertainty (±%) | | (v _i) |
|---------------------------------------|----------------|--------------------------|------------|-------------------|-------|---------------------------|-------|-------------------|
| | | | | (1g) | (10g) | (1g) | (10g) | |
| Measurement System | | | | | | | | |
| Probe Calibration | 4.8 | Normal | 1 | 1 | 1 | 4.8 | 4.8 | ∞ |
| Axial Isotropy | 4.7 | Rectangular | $\sqrt{3}$ | 1 | 1 | 2.7 | 2.7 | ∞ |
| Hemispherical Isotropy | 0 | Rectangular | $\sqrt{3}$ | 1 | 1 | 0 | 0 | ∞ |
| Boundary effect | 1.0 | Rectangular | $\sqrt{3}$ | 1 | 1 | 0.6 | 0.6 | ∞ |
| Linearity | 4.7 | Rectangular | $\sqrt{3}$ | 1 | 1 | 2.7 | 2.7 | ∞ |
| System Detection Limit | 1.0 | Rectangular | $\sqrt{3}$ | 1 | 1 | 0.6 | 0.6 | ∞ |
| Readout Electronics | 1.0 | Normal | 1 | 1 | 1 | 1.0 | 1.0 | ∞ |
| Response Time | 0 | Rectangular | $\sqrt{3}$ | 1 | 1 | 0 | 0 | ∞ |
| Integration Time | 0 | Rectangular | $\sqrt{3}$ | 1 | 1 | 0 | 0 | ∞ |
| RF Ambient Conditions | 3.0 | Rectangular | $\sqrt{3}$ | 1 | 1 | 1.7 | 1.7 | ∞ |
| Probe Positioner | 0.4 | Rectangular | $\sqrt{3}$ | 1 | 1 | 0.2 | 0.2 | ∞ |
| Probe positioning | 2.9 | Rectangular | $\sqrt{3}$ | 1 | 1 | 1.7 | 1.7 | ∞ |
| Algorithms for Max. SAR Evaluation | 1.0 | Rectangular | $\sqrt{3}$ | 1 | 1 | 0.6 | 0.6 | ∞ |
| Dipole | | | | | | | | |
| Dipole Axis to Liquid Distance | 2.0 | Rectangular | $\sqrt{3}$ | 1 | 1 | 1.2 | 1.2 | ∞ |
| Input power and SAR drift measurement | 4.7 | Rectangular | $\sqrt{3}$ | 1 | 1 | 2.7 | 2.7 | ∞ |
| Phantom and Tissue Parameters | | | | | | | | |
| Phantom Uncertainty | 4.0 | Rectangular | $\sqrt{3}$ | 1 | 1 | 2.3 | 2.3 | ∞ |
| Liquid Conductivity (target) | 5.0 | Rectangular | $\sqrt{3}$ | 0.64 | 0.43 | 1.8 | 1.2 | ∞ |
| Liquid Conductivity (measurement) | 2.5 | Normal | 1 | 0.64 | 0.43 | 1.6 | 1.1 | ∞ |
| Liquid Permittivity (target) | 5.0 | Rectangular | $\sqrt{3}$ | 0.6 | 0.49 | 1.7 | 1.4 | ∞ |
| Liquid Permittivity (measurement) | 2.5 | Normal | 1 | 0.6 | 0.49 | 1.5 | 1.2 | ∞ |
| Combined Standard Uncertainty | | | | | | 8.4 | 8.1 | ∞ |
| Coverage Factor for 95% | | | | | | kp=2 | | |
| Expanded Uncertainty (K=2) | | | | | | 16.8 | 16.2 | |

NOTE: About the system validation uncertainty assessment, please reference the section 7.

7. MEASUREMENT SAR PROCEDURE UNCERTAINTIES

The assessment of spatial peak SAR of the hand handheld devices is according to IEEE 1528. All testing situation shall be met below these requirements.

- The system is used by an experienced engineer who follows the manual and the guidelines taught during the training provided by SPEAG.
- The probe has been calibrated within the requested period and the stated uncertainty for the relevant frequency bands does not exceed 4.8% (k=1).
- The validation dipole has been calibrated within the requested period and the system performance check has been successful.
- The DAE unit has been calibrated within the within the requested period.
- The minimum distance between the probe sensor and inner phantom shell is selected to be between 4 and 5mm.
- The operational mode of the DUT is CW, CDMA, FDMA or TDMA (GSM, DCS, PCS, IS136 and PDC) and the measurement/integration time per point is >500 ms.
- The dielectric parameters of the liquid have been assessed using Agilent 85070D dielectric probe kit or a more accurate method.
- The dielectric parameters are within 5% of the target values.
- The DUT has been positioned as described in section 3.

7.1. PROBE CALIBRATION UNCERTAINTY

SPEAG conducts the probe calibration in compliance with international and national standards (e.g. IEEE 1528, EN 62209-1, IEC 62209, etc.) under ISO17025. The uncertainties are stated on the calibration certificate. For the most relevant frequency bands, these values do not exceed 4.8% (k=1). If evaluations of other bands are performed for which the uncertainty exceeds these values, the uncertainty tables given in the summary have to be revised accordingly.

7.2. ISOTROPY UNCERTAINTY

The axial isotropy tolerance accounts for probe rotation around its axis while the hemispherical isotropy error includes all probe orientations and field polarizations. These parameters are assessed by SPEAG during initial calibration. In 2001, SPEAG further tightened its quality controls and warrants that the maximal deviation from axial isotropy is $\pm 0.20\text{dB}$, while the maximum deviation of hemispherical isotropy is $\pm 0.40\text{dB}$, corresponding to $\pm 4.7\%$ and $\pm 9.6\%$, respectively. A weighting factor of c_p equal to 0.5 can be applied, since the axis of the probe deviates less than 30 degrees from the normal surface orientation.

7.3. BOUNDARY EFFECT UNCERTAINTY

The effect can be estimated according to the following error approximation formula

$$SAR_{tolerance} [\%] = SAR_{be} [\%] \times \frac{(d_{be} + d_{step})^2}{2d_{step}} e^{-\frac{d_{be}}{\delta/2}}$$

$$d_{be} + d_{step} < 10\text{mm}$$

The parameter d_{be} is the distance in mm between the surface and the closest measurement point used in the averaging process; d_{step} is the separation distance in mm between the first and second measurement points; δ is the minimum penetration depth in mm within the head tissue equivalent liquids (i.e., $\delta = 13.95\text{mm}$ at 3GHz); SAR_{be} is the deviation between the measured SAR value at the distance d_{be} from the boundary and the wave-guide analytical value SAR_{ref} . DASY4 applies a boundary effect compensation algorithm according to IEEE 1528, which is possible since the axis of the probe never deviates more than 30 degrees from the normal surface orientation. $SAR_{be}[\%]$ is assessed during the calibration process and SPEAG warrants that the uncertainty at distances larger than 4mm is always less than 1%. In summary, the worst case boundary effect SAR tolerance[%] for scanning distances larger than 4mm is $< \pm 0.8\%$.

7.4. PROBE LINEARITY UNCERTAINTY

Field probe linearity uncertainty includes errors from the assessment and compensation of the diode compression effects for CW and pulsed signals with known duty cycles. This error is assessed using the procedure described in IEEE 1528. For SPEAG field probes, the measured difference between CW and pulsed signals, with pulse frequencies between 10Hz and 1kHz and duty cycles between 1 and 100, is $< \pm 0.20\text{dB}$ ($< \pm 4.7\%$).

7.5. READOUT ELECTRONICS UNCERTAINTY

All uncertainties related to the probe readout electronics (DAE unit), including the gain and linearity of the instrumentation amplifier, its loading effect on the probe, and accuracy of the signal conversion algorithm, have been assessed accordingly to IEEE 1528. The combination (root-sum-square RSS method) of these components results in an overall maximum error of $\pm 1.0\%$.

7.6. RESPONSE TIME UNCERTAINTY

The time response of the field probes is assessed by exposing the probe to a well-controlled electric field producing SAR larger than 2.0W/kg at the tissue medium surface. The signal response time is evaluated as the time required by the system to reach 90% of the expected final value after an on/of switch of the power source. Analytically, it can be expressed as:

$$SAR_{tolerance} [\%] = 100 \times \left(\frac{T_m}{T_m + \tau e^{-T_m/\tau} - \tau} - 1 \right)$$

where T_m is 500 ms, i.e., the time between measurement samples, and τ the time constant. The response time τ of SPEAG's probes is $< 5\text{ms}$. In the current implementation, DASY4 waits longer than 100 ms after having reached the grid point before starting a measurement, i.e., the response time uncertainty is negligible.

7.7. INTEGRATION TIME UNCERTAINTY

If the device under test does not emit a CW signal, the integration time applied to measure the electric field at a specific point may introduce additional uncertainties due to the discretization and can be assessed as follows

$$SAR_{tolerance} [\%] = 100 \times \sum_{all\ sub-frames} \frac{t_{frame}}{t_{integration}} \frac{slot_{idle}}{slot_{total}}$$

The tolerances for the different systems are given in Table 7.1, whereby the worst-case $SAR_{tolerance}$ is 2.6%.

| System | $SAR_{tolerance} \%$ |
|-------------|----------------------|
| CW | 0 |
| CDMA* | 0 |
| WCDMA* | 0 |
| FDMA | 0 |
| IS-136 | 2.6 |
| PDC | 2.6 |
| GSM/DCS/PCS | 1.7 |
| DECT | 1.9 |
| Worst-Case | 2.6 |

TABLE 7.1

7.8. PROBE POSITIONER MECHANICAL TOLERANCE

The mechanical tolerance of the field probe positioner can introduce probe positioning uncertainties. The resulting SAR uncertainty is assessed by comparing the SAR obtained according to the specifications of the probe positioner with respect to the actual position defined by the geometric center of the probe sensors. The tolerance is determined as:

$$SAR_{tolerance} [\%] = 100 \times \frac{d_{ph}}{\delta/2}$$

The specified repeatability of the RX robot family used in DASY4 systems is $\pm 25\mu\text{m}$. The absolute accuracy for short distance movements is better than $\pm 0.1\text{mm}$, i.e., the $SAR_{tolerance} [\%]$ is better than 1.5% (rectangular).

7.9. PROBE POSITIONING

The probe positioning procedures affect the tolerance of the separation distance between the probe tip and the phantom surface as:

$$SAR_{tolerance} [\%] = 100 \times \frac{d_{ph}}{\delta/2}$$

where d_{ph} is the maximum deviation of the distance between the probe tip and the phantom surface. The optical surface detection has a precision of better than 0.2mm, resulting in an $SAR_{tolerance} [\%]$ of <2.9% (rectangular distribution). Since the mechanical detection provides better accuracy, 2.9% is a worst-case figure for DASY4 system.

7.10. PHANTOM UNCERTAINTY

The SAR measurement uncertainty due to SPEAG phantom shell production tolerances has been evaluated using

$$SAR_{tolerance} [\%] \cong 100 \times \frac{2d}{a}, \quad d \ll a$$

For a maximum deviation d of the inner and outer shell of the phantom from that specified in the CAD file of $\pm 0.2\text{mm}$, and a 10mm spacing a between source and tissue liquid, the calculated phantom uncertainty is $\pm 4.0\%$.

7.11. DASY4 UNCERTAINTY BUDGET

| Error Description | Tolerance (±%) | Probability Distribution | Divisor | (C _i) | | Standard Uncertainty (±%) | | (v _i) |
|--------------------------------------|----------------|--------------------------|---------|-------------------|-------|---------------------------|-------------|-------------------|
| | | | | (1g) | (10g) | (1g) | (10g) | |
| Measurement Equipment | | | | | | | | |
| Probe Calibration | 4.8 | Normal | 1 | 1 | 1 | 4.8 | 4.8 | ∞ |
| Axial Isotropy | 4.7 | Rectangular | √3 | 1 | 1 | 1.9 | 1.9 | ∞ |
| Hemispherical Isotropy | 9.6 | Rectangular | √3 | 1 | 1 | 3.9 | 3.9 | ∞ |
| Boundary effect | 1.0 | Rectangular | √3 | 1 | 1 | 0.6 | 0.6 | ∞ |
| Linearity | 4.7 | Rectangular | √3 | 1 | 1 | 2.7 | 2.7 | ∞ |
| System Detection Limit | 1.0 | Rectangular | √3 | 1 | 1 | 0.6 | 0.6 | ∞ |
| Readout Electronics | 1.0 | Normal | 1 | 1 | 1 | 1.0 | 1.0 | ∞ |
| Response Time | 0.8 | Normal | 1 | 1 | 1 | 0.8 | 0.8 | ∞ |
| Integration Time | 2.6 | Normal | 1 | 1 | 1 | 2.6 | 2.6 | ∞ |
| Noise | 0.0 | Normal | 1 | 0 | 0 | 0 | 0 | ∞ |
| Mechanical Constraints | | | | | | | | |
| Scanning System | 0.4 | Rectangular | √3 | 1 | 1 | 0.2 | 0.2 | ∞ |
| Phantom Shell | 4.0 | Rectangular | √3 | 1 | 1 | 2.3 | 2.3 | ∞ |
| Probe Positioning | 2.9 | Rectangular | √3 | 1 | 1 | 1.7 | 1.7 | ∞ |
| Device Positioning | 2.9 | Normal | 1 | 1 | 1 | 2.9 | 2.9 | 875 |
| Physical Parameters | | | | | | | | |
| Liquid Conductivity (target) | 5.0 | Rectangular | √3 | 0.7 | 0.5 | 2 | 1.4 | ∞ |
| Liquid Conductivity (measurement) | 4.3 | Rectangular | √3 | 0.7 | 0.5 | 1.7 | 1.2 | ∞ |
| Liquid Permittivity (target) | 5.0 | Rectangular | √3 | 0.6 | 0.5 | 1.7 | 1.4 | ∞ |
| Liquid Permittivity (measurement) | 4.3 | Rectangular | √3 | 0.6 | 0.5 | 1.5 | 1.2 | ∞ |
| Power Drift | 5 | Rectangular | √3 | 1 | 1 | 2.9 | 2.9 | ∞ |
| RF Ambient Conditions | 3.0 | Rectangular | √3 | 1 | 1 | 1.7 | 1.7 | ∞ |
| Post-Processing | | | | | | | | |
| Extrapolation and Integration | 1 | Rectangular | √3 | 1 | 1 | 0.6 | 0.6 | ∞ |
| Combined Standard Uncertainty | | | | | | 9.9 | 9.7 | |
| Coverage Factor for 95% | | | | | | kp=2 | | |
| Expanded Uncertainty (K=2) | | | | | | 19.9 | 19.3 | |

TABLE 7.2

The table 7.2: Worst-Case uncertainty budget for DASY4 assessed according to IEEE 1528. The budget is valid for the frequency range 300MHz ~ 3GHz and represents a worst-case analysis. For specific tests and configurations, the uncertainty could be considerable smaller.



8. INFORMATION ON THE TESTING LABORATORIES

We, ADT Corp., were founded in 1988 to provide our best service in EMC, Radio, Telecom and Safety consultation. Our laboratories are accredited and approved by the following approval agencies according to ISO/IEC 17025.

| | |
|--------------------|----------------------|
| USA | FCC, UL |
| GERMANY | TUV Rheinland |
| JAPAN | VCCI |
| NORWAY | NEMKO |
| CANADA | INDUSTRY CANADA, CSA |
| R.O.C. | TAF, BSMI, NCC |
| NETHERLANDS | Telefication |
| SINGAPORE | GOST-ASIA (MOU) |
| RUSSIA | CERTIS (MOU) |

Copies of accreditation certificates of our laboratories obtained from approval agencies can be downloaded from our web site:

www.adt.com.tw/index.5/phtml. If you have any comments, please feel free to contact us at the following:

Linko EMC/RF Lab:

Tel: 886-2-26052180
Fax: 886-2-26051924

Hsin Chu EMC/RF Lab:

Tel: 886-3-5935343
Fax: 886-3-5935342

Hwa Ya EMC/RF/Safety/Telecom Lab:

Tel: 886-3-3183232
Fax: 886-3-3185050

Web Site: www.adt.com.tw

The address and road map of all our labs can be found in our web site also.

---END---

APPENDIX A: TEST DATA

Liquid Level Photo

MSL 2450MHz D=154mm



Test Laboratory: Advance Data Technology

M01-11b-Ch11 bottom

DUT: Wireless N USB Adapter ; Type: TL-WN821N ; Test Frequency: 2462 MHz

Communication System: 802.11b ; Frequency: 2462 MHz ; Duty Cycle: 1:1 ; Modulation type: DBPSK
Medium: MSL2450 Medium parameters used: $f = 2462$ MHz; $\sigma = 1.95$ mho/m; $\epsilon_r = 52.6$; $\rho = 1000$ kg/m³ ; Liquid level : 154 mm
Phantom section: Flat Section ; Separation distance : 5 mm (The bottom side of the EUT to the Phantom)
Antenna type : Printed Antenna ; Air temp. : 23.2 degrees ; Liquid temp. : 22.1 degrees

DASY4 Configuration:

- Probe: ET3DV6 - SN1790 ; ConvF(4.16, 4.16, 4.16) ; Calibrated: 2007/11/20
- Sensor-Surface: 4mm (Mechanical Surface Detection)
- Electronics: DAE3 Sn510 ; Calibrated: 2007/8/29
- Phantom: SAM 12 ; Type: SAM V4.0 ; Serial: TP 1202
- Measurement SW: DASY4, V4.7 Build 53 ; Postprocessing SW: SEMCAD, V1.8 Build 172

High Channel 11/Area Scan (4x8x1): Measurement grid: dx=15mm, dy=15mm
Maximum value of SAR (measured) = 0.852 mW/g

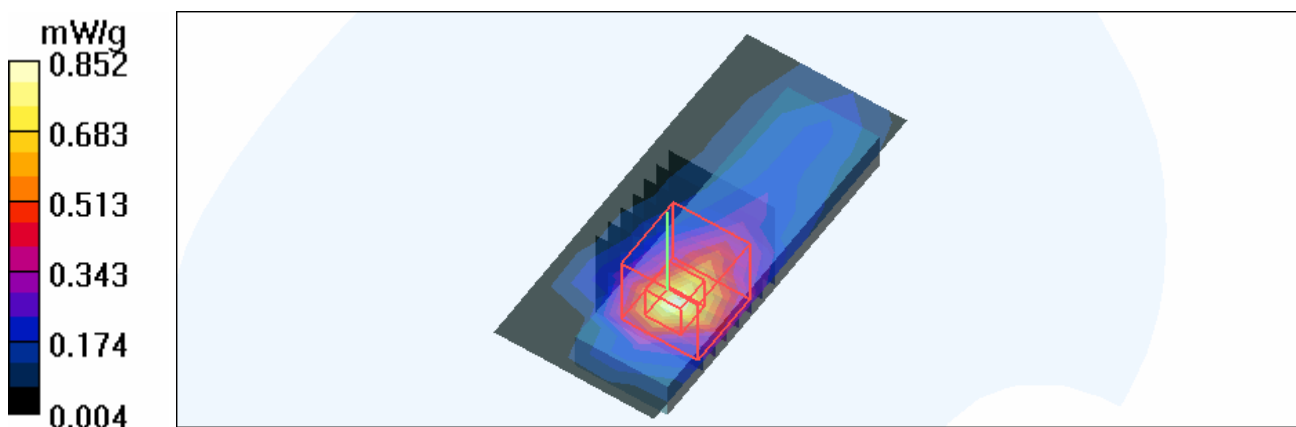
High Channel 11/Zoom Scan (7x7x7) (7x7x7)/Cube 0: Measurement grid: dx=5mm, dy=5mm, dz=5mm

Reference Value = 18.7 V/m

Peak SAR (extrapolated) = 1.81 W/kg

SAR(1 g) = **0.773 mW/g**; SAR(10 g) = 0.361 mW/g

Maximum value of SAR (measured) = 0.838 mW/g



Test Laboratory: Advance Data Technology

M02-11g-Ch11 bottom

DUT: Wireless N USB Adapter ; Type: TL-WN821N ; Test Frequency: 2462 MHz

Communication System: 802.11g ; Frequency: 2462 MHz ; Duty Cycle: 1:1 ; Modulation type: BPSK
Medium: MSL2450 Medium parameters used: $f = 2462$ MHz; $\sigma = 1.95$ mho/m; $\epsilon_r = 52.6$; $\rho = 1000$ kg/m³ ; Liquid level : 154 mm

Phantom section: Flat Section ; Separation distance : 5 mm (The bottom side of the EUT to the Phantom)

Antenna type : Printed Antenna ; Air temp. : 23.2 degrees ; Liquid temp. : 22.1 degrees

DASY4 Configuration:

- Probe: ET3DV6 - SN1790 ; ConvF(4.16, 4.16, 4.16) ; Calibrated: 2007/11/20
- Sensor-Surface: 4mm (Mechanical Surface Detection)
- Electronics: DAE3 Sn510 ; Calibrated: 2007/8/29
- Phantom: SAM 12 ; Type: SAM V4.0 ; Serial: TP 1202
- Measurement SW: DASY4, V4.7 Build 53 ; Postprocessing SW: SEMCAD, V1.8 Build 172

High Channel 11/Area Scan (4x8x1): Measurement grid: dx=15mm, dy=15mm

Maximum value of SAR (measured) = 0.730 mW/g

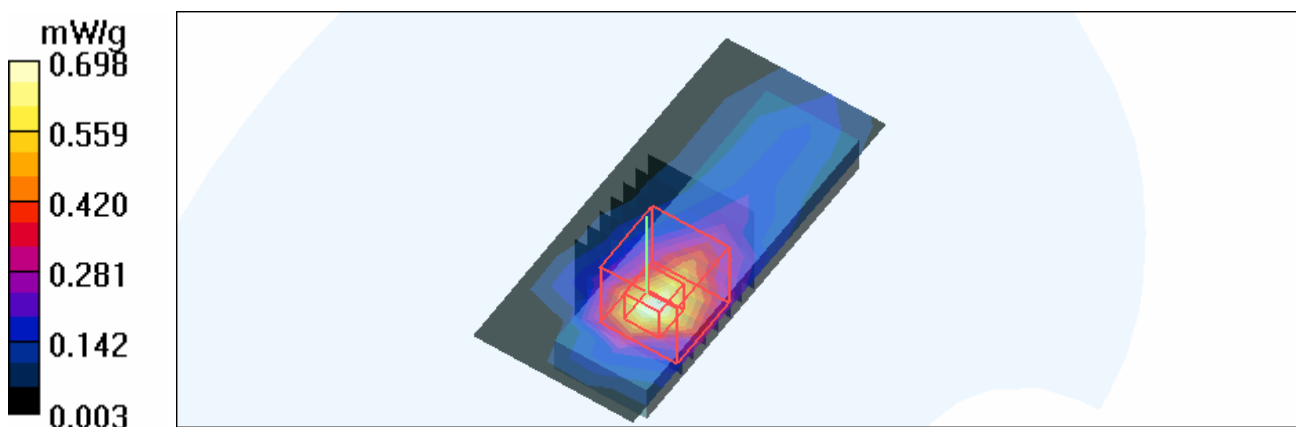
High Channel 11/Zoom Scan (7x7x7) (7x7x7)/Cube 0: Measurement grid: dx=5mm, dy=5mm, dz=5mm

Reference Value = 17.0 V/m

Peak SAR (extrapolated) = 1.58 W/kg

SAR(1 g) = **0.655 mW/g**; SAR(10 g) = 0.304 mW/g

Maximum value of SAR (measured) = 0.698 mW/g



Test Laboratory: Advance Data Technology

M03-11n 20M-Ch11 bottom

DUT: Wireless N USB Adapter ; Type: TL-WN821N ; Test Frequency: 2462 MHz

Communication System: 2.4G 11n span20 ; Frequency: 2462 MHz ; Duty Cycle: 1:1 ; Modulation type: BPSK

Medium: MSL2450 Medium parameters used: $f = 2462$ MHz; $\sigma = 1.95$ mho/m; $\epsilon_r = 52.6$; $\rho = 1000$ kg/m³ ; Liquid level : 154 mm

Phantom section: Flat Section ; Separation distance : 5 mm (The bottom side of the EUT to the Phantom)

Antenna type : Printed Antenna ; Air temp. : 23.2 degrees ; Liquid temp. : 22.1 degrees

DASY4 Configuration:

- Probe: ET3DV6 - SN1790 ; ConvF(4.16, 4.16, 4.16) ; Calibrated: 2007/11/20
- Sensor-Surface: 4mm (Mechanical Surface Detection)
- Electronics: DAE3 Sn510 ; Calibrated: 2007/8/29
- Phantom: SAM 12 ; Type: SAM V4.0 ; Serial: TP 1202
- Measurement SW: DASY4, V4.7 Build 53 ; Postprocessing SW: SEMCAD, V1.8 Build 172

High Channel 11/Area Scan (4x8x1): Measurement grid: dx=15mm, dy=15mm

Maximum value of SAR (measured) = 0.652 mW/g

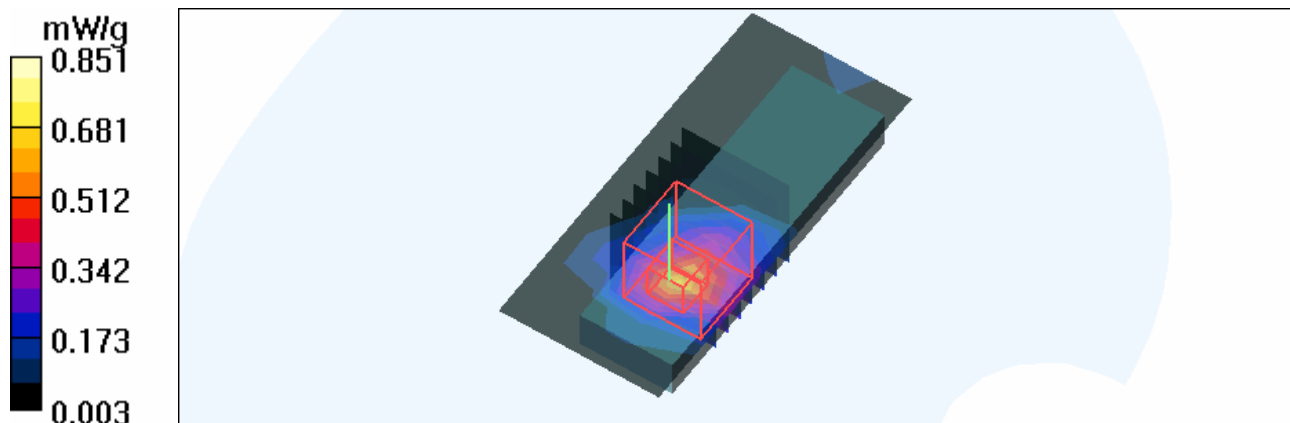
High Channel 11/Zoom Scan (7x7x7) (7x7x7)/Cube 0: Measurement grid: dx=5mm, dy=5mm, dz=5mm

Reference Value = 16.6 V/m

Peak SAR (extrapolated) = 1.85 W/kg

SAR(1 g) = 0.765 mW/g; SAR(10 g) = 0.356 mW/g

Maximum value of SAR (measured) = 0.851 mW/g



Test Laboratory: Advance Data Technology

M04-11n 40M-Ch1 bottom

DUT: Wireless N USB Adapter ; Type: TL-WN821N ; Test Frequency: 2422 MHz

Communication System: 802.11n 40MHz ; Frequency: 2422 MHz ; Duty Cycle: 1:1 ; Modulation type: BPSK

Medium: MSL2450 Medium parameters used: $f = 2422 \text{ MHz}$; $\sigma = 1.9 \text{ mho/m}$; $\epsilon_r = 53$; $\rho = 1000 \text{ kg/m}^3$; Liquid level : 154 mm

Phantom section: Flat Section ; Separation distance : 5 mm (The bottom side of the EUT to the Phantom)

Antenna type : Printed Antenna ; Air temp. : 23.2 degrees ; Liquid temp. : 22.1 degrees

DASY4 Configuration:

- Probe: ET3DV6 - SN1790 ; ConvF(4.16, 4.16, 4.16) ; Calibrated: 2007/11/20
- Sensor-Surface: 4mm (Mechanical Surface Detection)
- Electronics: DAE3 Sn510 ; Calibrated: 2007/8/29
- Phantom: SAM 12 ; Type: SAM V4.0 ; Serial: TP 1202
- Measurement SW: DASY4, V4.7 Build 53 ; Postprocessing SW: SEMCAD, V1.8 Build 172

Low Channel 1/Area Scan (4x8x1): Measurement grid: $dx=15\text{mm}$, $dy=15\text{mm}$

Maximum value of SAR (measured) = 0.802 mW/g

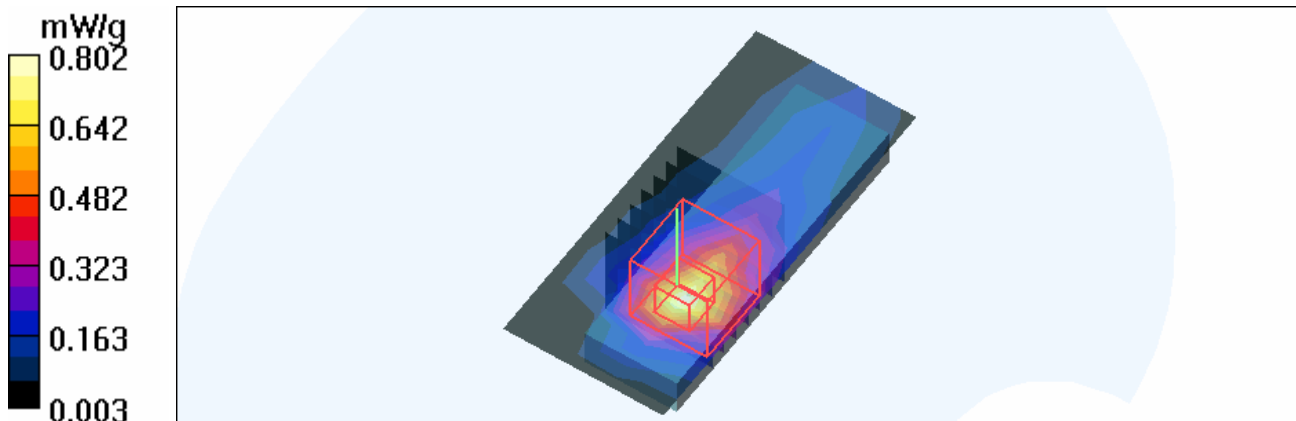
Low Channel 1/Zoom Scan (7x7x7) (7x7x7)/Cube 0: Measurement grid: $dx=5\text{mm}$, $dy=5\text{mm}$, $dz=5\text{mm}$

Reference Value = 18.1 V/m

Peak SAR (extrapolated) = 1.77 W/kg

SAR(1 g) = 0.730 mW/g; SAR(10 g) = 0.340 mW/g

Maximum value of SAR (measured) = 0.785 mW/g



Test Laboratory: Advance Data Technology

M04-11n 40M-Ch4 bottom

DUT: Wireless N USB Adapter ; Type: TL-WN821N ; Test Frequency: 2437 MHz

Communication System: 802.11n 40MHz ; Frequency: 2437 MHz ; Duty Cycle: 1:1 ; Modulation type: BPSK

Medium: MSL2450 Medium parameters used: $f = 2437$ MHz; $\sigma = 1.92$ mho/m; $\epsilon_r = 52.9$; $\rho = 1000$ kg/m³ ; Liquid level : 154 mm

Phantom section: Flat Section ; Separation distance : 5 mm (The bottom side of the EUT to the Phantom)

Antenna type : Printed Antenna ; Air temp. : 23.2 degrees ; Liquid temp. : 22.1 degrees

DASY4 Configuration:

- Probe: ET3DV6 - SN1790 ; ConvF(4.16, 4.16, 4.16) ; Calibrated: 2007/11/20
- Sensor-Surface: 4mm (Mechanical Surface Detection)
- Electronics: DAE3 Sn510 ; Calibrated: 2007/8/29
- Phantom: SAM 12 ; Type: SAM V4.0 ; Serial: TP 1202
- Measurement SW: DASY4, V4.7 Build 53 ; Postprocessing SW: SEMCAD, V1.8 Build 172

Mid. Channel 4/Area Scan (4x8x1): Measurement grid: dx=15mm, dy=15mm

Maximum value of SAR (measured) = 0.732 mW/g

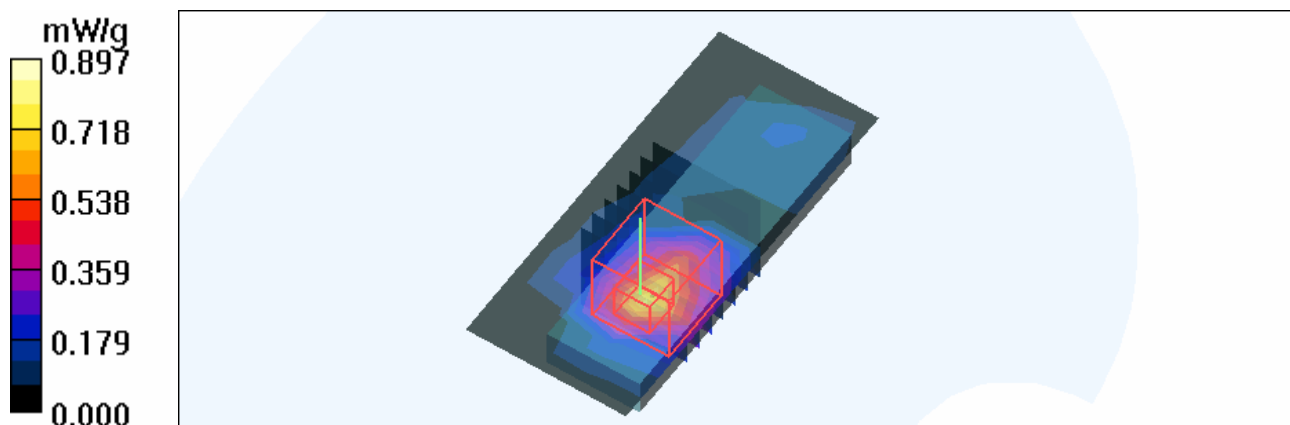
Mid. Channel 4/Zoom Scan (7x7x7) (7x7x7)/Cube 0: Measurement grid: dx=5mm, dy=5mm, dz=5mm

Reference Value = 18.1 V/m

Peak SAR (extrapolated) = 2.06 W/kg

SAR(1 g) = 0.792 mW/g; SAR(10 g) = 0.368 mW/g

Maximum value of SAR (measured) = 0.897 mW/g



Test Laboratory: Advance Data Technology

M04-11n 40M-Ch7 bottom**DUT: Wireless N USB Adapter ; Type: TL-WN821N ; Test Frequency: 2452 MHz**

Communication System: 802.11n 40MHz ; Frequency: 2452 MHz ; Duty Cycle: 1:1 ; Modulation type: BPSK

Medium: MSL2450 Medium parameters used: $f = 2452$ MHz; $\sigma = 1.93$ mho/m; $\epsilon_r = 52.8$; $\rho = 1000$ kg/m³ ; Liquid level : 154 mm

Phantom section: Flat Section ; Separation distance : 5 mm (The bottom side of the EUT to the Phantom)

Antenna type : Printed Antenna ; Air temp. : 23.2 degrees ; Liquid temp. : 22.1 degrees

DASY4 Configuration:

- Probe: ET3DV6 - SN1790 ; ConvF(4.16, 4.16, 4.16) ; Calibrated: 2007/11/20
- Sensor-Surface: 4mm (Mechanical Surface Detection)
- Electronics: DAE3 Sn510 ; Calibrated: 2007/8/29
- Phantom: SAM 12 ; Type: SAM V4.0 ; Serial: TP 1202
- Measurement SW: DASY4, V4.7 Build 53 ; Postprocessing SW: SEMCAD, V1.8 Build 172

High Channel 7/Area Scan (4x8x1): Measurement grid: dx=15mm, dy=15mm

Maximum value of SAR (measured) = 0.876 mW/g

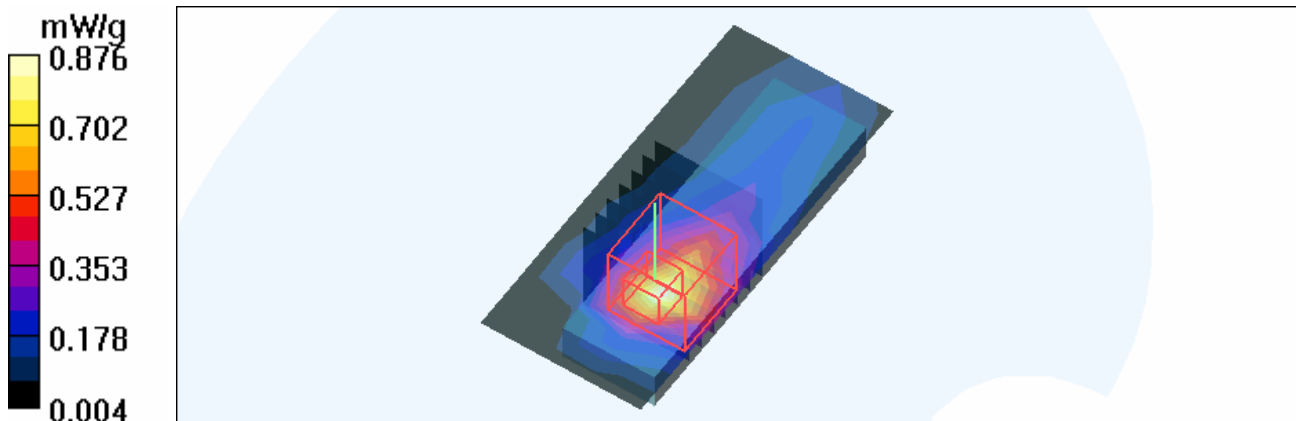
High Channel 7/Zoom Scan (7x7x7) (7x7x7)/Cube 0: Measurement grid: dx=5mm, dy=5mm, dz=5mm

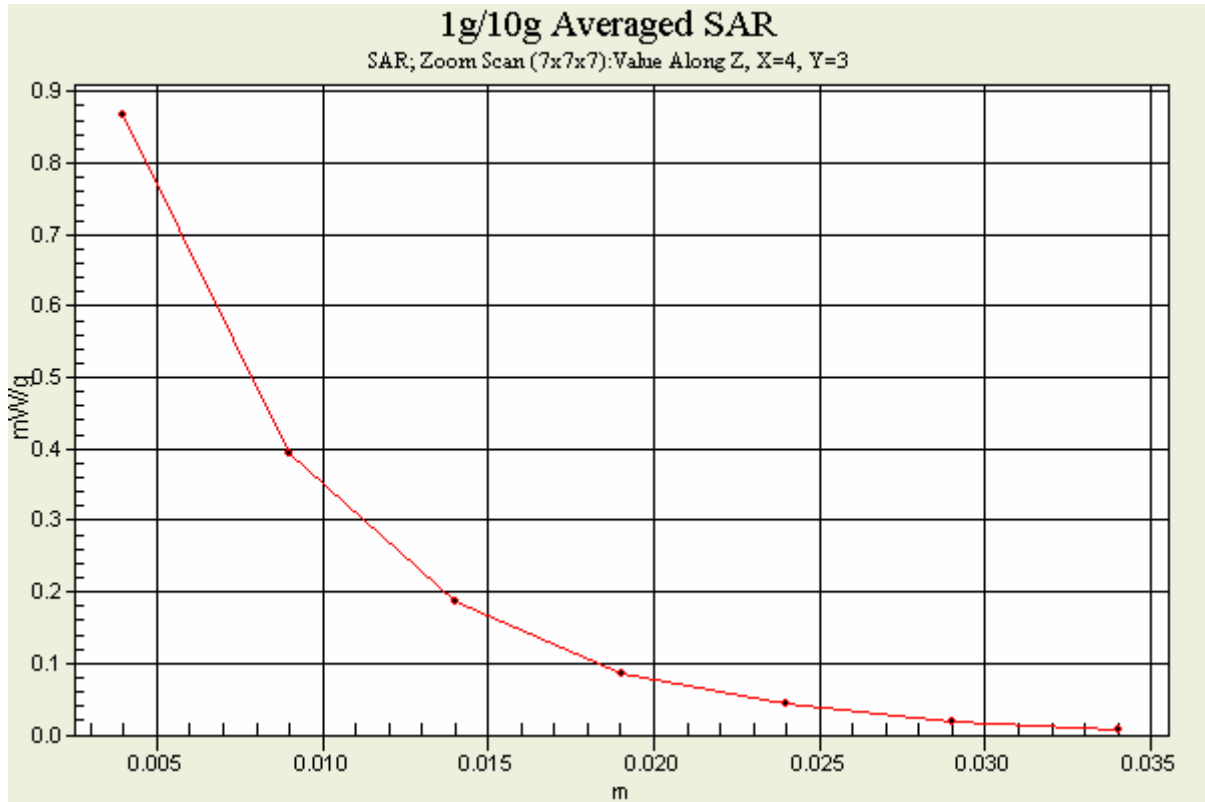
Reference Value = 19.1 V/m

Peak SAR (extrapolated) = 2.06 W/kg

SAR(1 g) = 0.845 mW/g; SAR(10 g) = 0.391 mW/g

Maximum value of SAR (measured) = 0.868 mW/g





Test Laboratory: Advance Data Technology

M05-11b-Ch11 front

DUT: Wireless N USB Adapter ; Type: TL-WN821N ; Test Frequency: 2462 MHz

Communication System: 802.11b ; Frequency: 2462 MHz ; Duty Cycle: 1:1 ; Modulation type: DBPSK
 Medium: MSL2450 Medium parameters used: $f = 2462 \text{ MHz}$; $\sigma = 1.95 \text{ mho/m}$; $\epsilon_r = 52.6$; $\rho = 1000 \text{ kg/m}^3$; Liquid level : 154 mm

Phantom section: Flat Section ; Separation distance : 5 mm (The front side of the EUT to the Phantom)

Antenna type : Printed Antenna ; Air temp. : 23.2 degrees ; Liquid temp. : 22.1 degrees

DASY4 Configuration:

- Probe: ET3DV6 - SN1790 ; ConvF(4.16, 4.16, 4.16) ; Calibrated: 2007/11/20
- Sensor-Surface: 4mm (Mechanical Surface Detection)
- Electronics: DAE3 Sn510 ; Calibrated: 2007/8/29
- Phantom: SAM 12 ; Type: SAM V4.0 ; Serial: TP 1202
- Measurement SW: DASY4, V4.7 Build 53 ; Postprocessing SW: SEMCAD, V1.8 Build 172

High Channel 11/Area Scan (4x8x1): Measurement grid: $dx=15\text{mm}$, $dy=15\text{mm}$

Maximum value of SAR (measured) = 0.574 mW/g

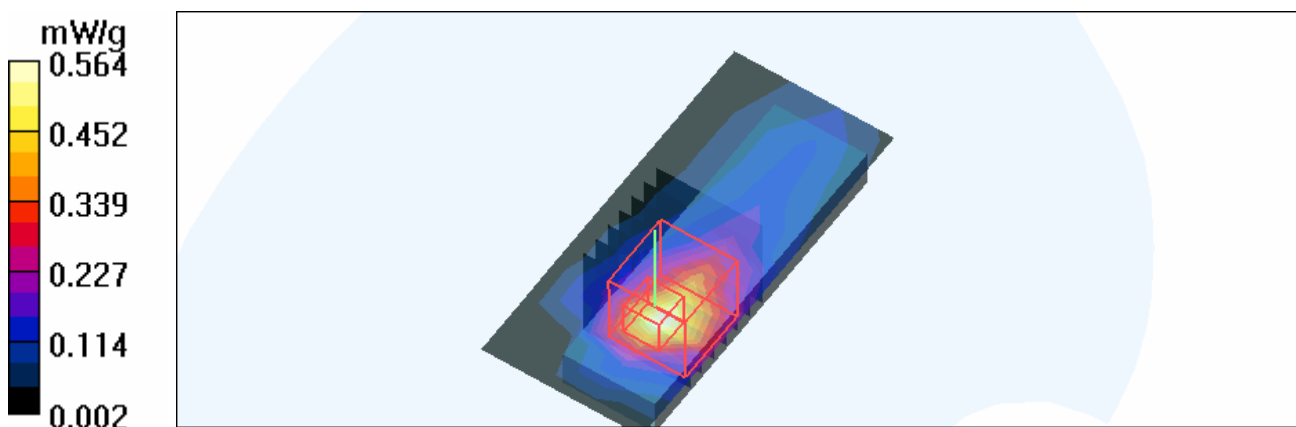
High Channel 11/Zoom Scan (7x7x7) (7x7x7)/Cube 0: Measurement grid: $dx=5\text{mm}$, $dy=5\text{mm}$, $dz=5\text{mm}$

Reference Value = 16.9 V/m

Peak SAR (extrapolated) = 1.28 W/kg

SAR(1 g) = 0.535 mW/g; SAR(10 g) = 0.257 mW/g

Maximum value of SAR (measured) = 0.564 mW/g



Test Laboratory: Advance Data Technology

M06-11g-Ch11 front

DUT: Wireless N USB Adapter ; Type: TL-WN821N ; Test Frequency: 2462 MHz

Communication System: 802.11g ; Frequency: 2462 MHz ; Duty Cycle: 1:1 ; Modulation type: BPSK
 Medium: MSL2450 Medium parameters used: $f = 2462 \text{ MHz}$; $\sigma = 1.95 \text{ mho/m}$; $\epsilon_r = 52.6$; $\rho = 1000 \text{ kg/m}^3$; Liquid level : 154 mm

Phantom section: Flat Section ; Separation distance : 5 mm (The front side of the EUT to the Phantom)

Antenna type : Printed Antenna ; Air temp. : 23.2 degrees ; Liquid temp. : 22.1 degrees

DASY4 Configuration:

- Probe: ET3DV6 - SN1790 ; ConvF(4.16, 4.16, 4.16) ; Calibrated: 2007/11/20
- Sensor-Surface: 4mm (Mechanical Surface Detection)
- Electronics: DAE3 Sn510 ; Calibrated: 2007/8/29
- Phantom: SAM 12 ; Type: SAM V4.0 ; Serial: TP 1202
- Measurement SW: DASY4, V4.7 Build 53 ; Postprocessing SW: SEMCAD, V1.8 Build 172

High Channel 11/Area Scan (4x8x1): Measurement grid: $dx=15\text{mm}$, $dy=15\text{mm}$

Maximum value of SAR (measured) = 0.343 mW/g

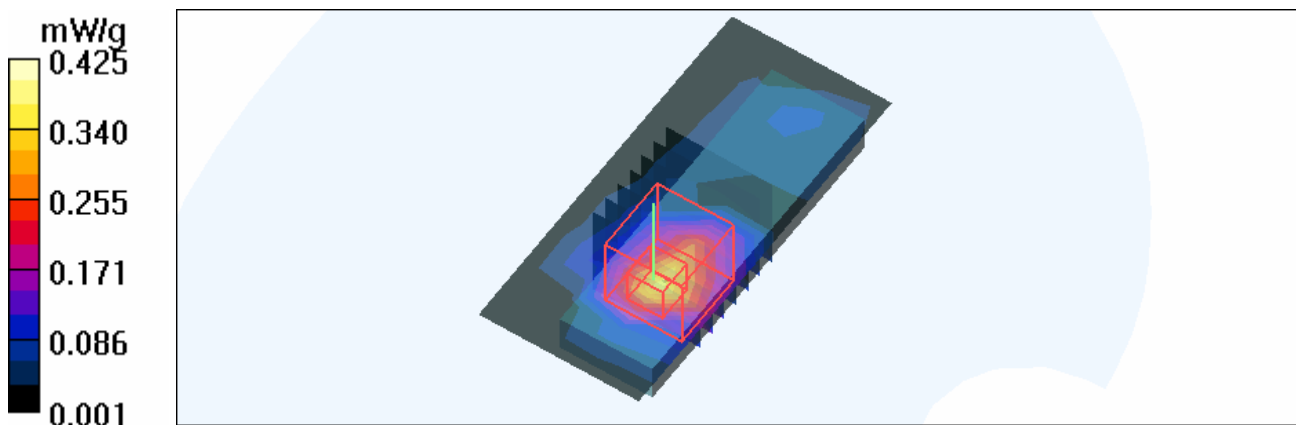
High Channel 11/Zoom Scan (7x7x7) (7x7x7)/Cube 0: Measurement grid: $dx=5\text{mm}$, $dy=5\text{mm}$, $dz=5\text{mm}$

Reference Value = 14.5 V/m

Peak SAR (extrapolated) = 0.924 W/kg

SAR(1 g) = 0.353 mW/g; SAR(10 g) = 0.169 mW/g

Maximum value of SAR (measured) = 0.425 mW/g



Test Laboratory: Advance Data Technology

M07-11n 20M-Ch11 front

DUT: Wireless N USB Adapter ; Type: TL-WN821N ; Test Frequency: 2462 MHz

Communication System: 2.4G 11n span20 ; Frequency: 2462 MHz ; Duty Cycle: 1:1 ; Modulation type: BPSK

Medium: MSL2450 Medium parameters used: $f = 2462$ MHz; $\sigma = 1.95$ mho/m; $\epsilon_r = 52.6$; $\rho = 1000$ kg/m³ ; Liquid level : 154 mm

Phantom section: Flat Section ; Separation distance : 5 mm (The front side of the EUT to the Phantom)

Antenna type : Printed Antenna ; Air temp. : 23.2 degrees ; Liquid temp. : 22.1 degrees

DASY4 Configuration:

- Probe: ET3DV6 - SN1790 ; ConvF(4.16, 4.16, 4.16) ; Calibrated: 2007/11/20
- Sensor-Surface: 4mm (Mechanical Surface Detection)
- Electronics: DAE3 Sn510 ; Calibrated: 2007/8/29
- Phantom: SAM 12 ; Type: SAM V4.0 ; Serial: TP 1202
- Measurement SW: DASY4, V4.7 Build 53 ; Postprocessing SW: SEMCAD, V1.8 Build 172

High Channel 11/Area Scan (4x8x1): Measurement grid: dx=15mm, dy=15mm

Maximum value of SAR (measured) = 0.543 mW/g

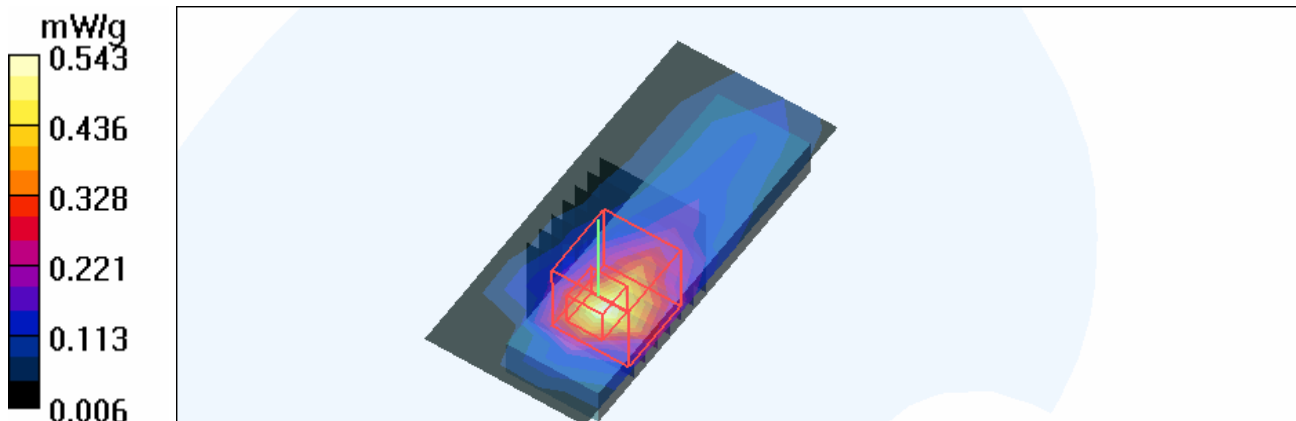
High Channel 11/Zoom Scan (7x7x7) (7x7x7)/Cube 0: Measurement grid: dx=5mm, dy=5mm, dz=5mm

Reference Value = 15.0 V/m

Peak SAR (extrapolated) = 1.38 W/kg

SAR(1 g) = 0.436 mW/g; SAR(10 g) = 0.206 mW/g

Maximum value of SAR (measured) = 0.525 mW/g



Test Laboratory: Advance Data Technology

M08-11n 40M-Ch7 front

DUT: Wireless N USB Adapter ; Type: TL-WN821N ; Test Frequency: 2452 MHz

Communication System: 802.11n 40MHz ; Frequency: 2452 MHz ; Duty Cycle: 1:1 ; Modulation type: BPSK

Medium: MSL2450 Medium parameters used: $f = 2452 \text{ MHz}$; $\sigma = 1.93 \text{ mho/m}$; $\epsilon_r = 52.8$; $\rho = 1000 \text{ kg/m}^3$; Liquid level : 154 mm

Phantom section: Flat Section ; Separation distance : 5 mm (The front side of the EUT to the Phantom)

Antenna type : Printed Antenna ; Air temp. : 23.2 degrees ; Liquid temp. : 22.1 degrees

DASY4 Configuration:

- Probe: ET3DV6 - SN1790 ; ConvF(4.16, 4.16, 4.16) ; Calibrated: 2007/11/20
- Sensor-Surface: 4mm (Mechanical Surface Detection)
- Electronics: DAE3 Sn510 ; Calibrated: 2007/8/29
- Phantom: SAM 12 ; Type: SAM V4.0 ; Serial: TP 1202
- Measurement SW: DASY4, V4.7 Build 53 ; Postprocessing SW: SEMCAD, V1.8 Build 172

High Channel 7/Area Scan (4x8x1): Measurement grid: $dx=15\text{mm}$, $dy=15\text{mm}$

Maximum value of SAR (measured) = 0.580 mW/g

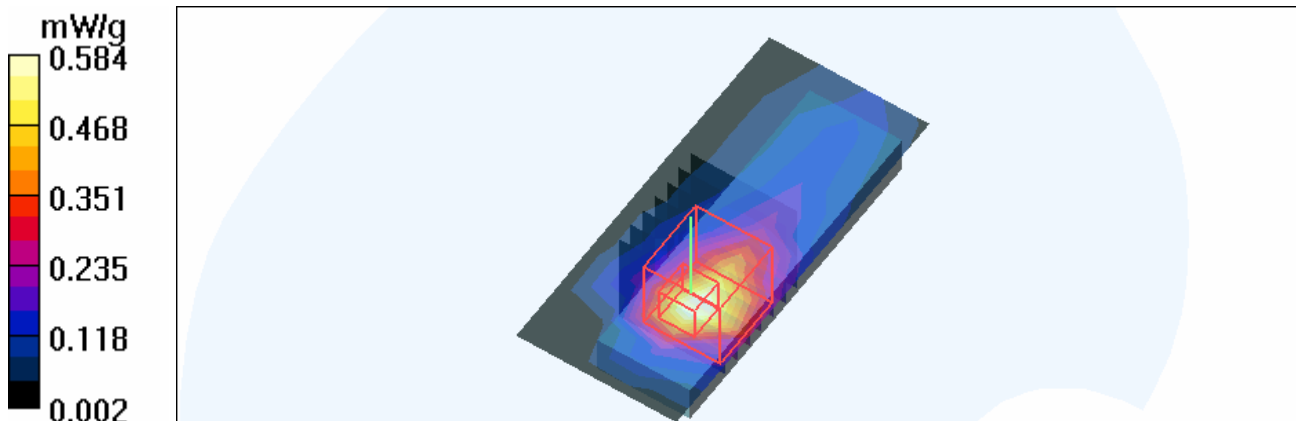
High Channel 7/Zoom Scan (7x7x7) (7x7x7)/Cube 0: Measurement grid: $dx=5\text{mm}$, $dy=5\text{mm}$, $dz=5\text{mm}$

Reference Value = 17.3 V/m

Peak SAR (extrapolated) = 1.30 W/kg

SAR(1 g) = 0.558 mW/g; SAR(10 g) = 0.269 mW/g

Maximum value of SAR (measured) = 0.584 mW/g



Test Laboratory: Advance Data Technology

M09-11b-Ch11 edge

DUT: Wireless N USB Adapter ; Type: TL-WN821N ; Test Frequency: 2462 MHz

Communication System: 802.11b ; Frequency: 2462 MHz ; Duty Cycle: 1:1 ; Modulation type: DBPSK
 Medium: MSL2450 Medium parameters used: $f = 2462 \text{ MHz}$; $\sigma = 1.95 \text{ mho/m}$; $\epsilon_r = 52.6$; $\rho = 1000 \text{ kg/m}^3$; Liquid level : 154 mm

Phantom section: Flat Section ; Separation distance : 5 mm (The edge side of the EUT to the Phantom)

Antenna type : Printed Antenna ; Air temp. : 23.2 degrees ; Liquid temp. : 22.1 degrees

DASY4 Configuration:

- Probe: ET3DV6 - SN1790 ; ConvF(4.16, 4.16, 4.16) ; Calibrated: 2007/11/20
- Sensor-Surface: 4mm (Mechanical Surface Detection)
- Electronics: DAE3 Sn510 ; Calibrated: 2007/8/29
- Phantom: SAM 12 ; Type: SAM V4.0 ; Serial: TP 1202
- Measurement SW: DASY4, V4.7 Build 53 ; Postprocessing SW: SEMCAD, V1.8 Build 172

High Channel 11/Area Scan (4x8x1): Measurement grid: $dx=15\text{mm}$, $dy=15\text{mm}$

Maximum value of SAR (measured) = 0.299 mW/g

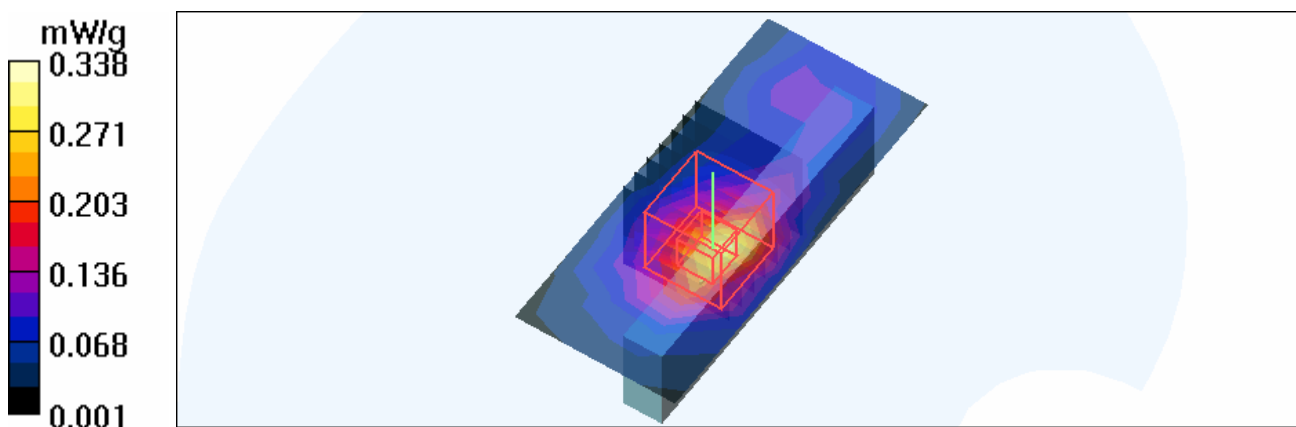
High Channel 11/Zoom Scan (7x7x7) (7x7x7)/Cube 0: Measurement grid: $dx=5\text{mm}$, $dy=5\text{mm}$, $dz=5\text{mm}$

Reference Value = 14.0 V/m

Peak SAR (extrapolated) = 0.745 W/kg

SAR(1 g) = 0.305 mW/g; SAR(10 g) = 0.140 mW/g

Maximum value of SAR (measured) = 0.338 mW/g



Test Laboratory: Advance Data Technology

M10-11g-Ch11 edge

DUT: Wireless N USB Adapter ; Type: TL-WN821N ; Test Frequency: 2462 MHz

Communication System: 802.11g ; Frequency: 2462 MHz ; Duty Cycle: 1:1 ; Modulation type: BPSK
 Medium: MSL2450 Medium parameters used: $f = 2462 \text{ MHz}$; $\sigma = 1.95 \text{ mho/m}$; $\epsilon_r = 52.6$; $\rho = 1000 \text{ kg/m}^3$; Liquid level : 154 mm

Phantom section: Flat Section ; Separation distance : 5 mm (The edge side of the EUT to the Phantom)

Antenna type : Printed Antenna ; Air temp. : 23.2 degrees ; Liquid temp. : 22.1 degrees

DASY4 Configuration:

- Probe: ET3DV6 - SN1790 ; ConvF(4.16, 4.16, 4.16) ; Calibrated: 2007/11/20
- Sensor-Surface: 4mm (Mechanical Surface Detection)
- Electronics: DAE3 Sn510 ; Calibrated: 2007/8/29
- Phantom: SAM 12 ; Type: SAM V4.0 ; Serial: TP 1202
- Measurement SW: DASY4, V4.7 Build 53 ; Postprocessing SW: SEMCAD, V1.8 Build 172

High Channel 11/Area Scan (4x8x1): Measurement grid: $dx=15\text{mm}$, $dy=15\text{mm}$

Maximum value of SAR (measured) = 0.245 mW/g

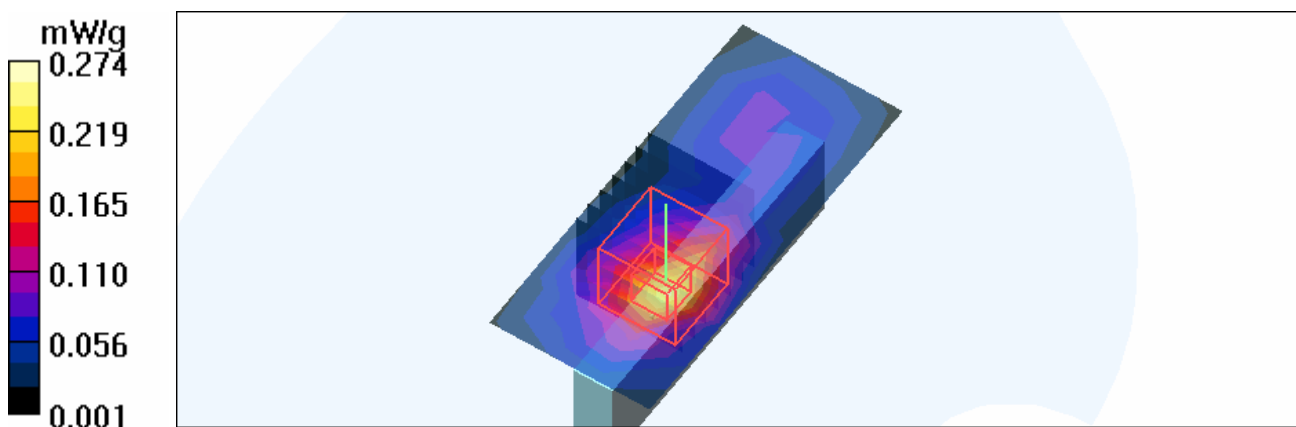
High Channel 11/Zoom Scan (7x7x7) (7x7x7)/Cube 0: Measurement grid: $dx=5\text{mm}$, $dy=5\text{mm}$, $dz=5\text{mm}$

Reference Value = 12.4 V/m

Peak SAR (extrapolated) = 0.617 W/kg

SAR(1 g) = 0.249 mW/g; SAR(10 g) = 0.113 mW/g

Maximum value of SAR (measured) = 0.274 mW/g



Test Laboratory: Advance Data Technology

M11-11n 20M-Ch11 edge

DUT: Wireless N USB Adapter ; Type: TL-WN821N ; Test Frequency: 2462 MHz

Communication System: 2.4G 11n span20 ; Frequency: 2462 MHz ; Duty Cycle: 1:1 ; Modulation type: BPSK

Medium: MSL2450 Medium parameters used: $f = 2462$ MHz; $\sigma = 1.95$ mho/m; $\epsilon_r = 52.6$; $\rho = 1000$ kg/m³ ; Liquid level : 154 mm

Phantom section: Flat Section ; Separation distance : 5 mm (The edge side of the EUT to the Phantom)

Antenna type : Printed Antenna ; Air temp. : 23.2 degrees ; Liquid temp. : 22.1 degrees

DASY4 Configuration:

- Probe: ET3DV6 - SN1790 ; ConvF(4.16, 4.16, 4.16) ; Calibrated: 2007/11/20
- Sensor-Surface: 4mm (Mechanical Surface Detection)
- Electronics: DAE3 Sn510 ; Calibrated: 2007/8/29
- Phantom: SAM 12 ; Type: SAM V4.0 ; Serial: TP 1202
- Measurement SW: DASY4, V4.7 Build 53 ; Postprocessing SW: SEMCAD, V1.8 Build 172

High Channel 11/Area Scan (4x8x1): Measurement grid: dx=15mm, dy=15mm

Maximum value of SAR (measured) = 0.198 mW/g

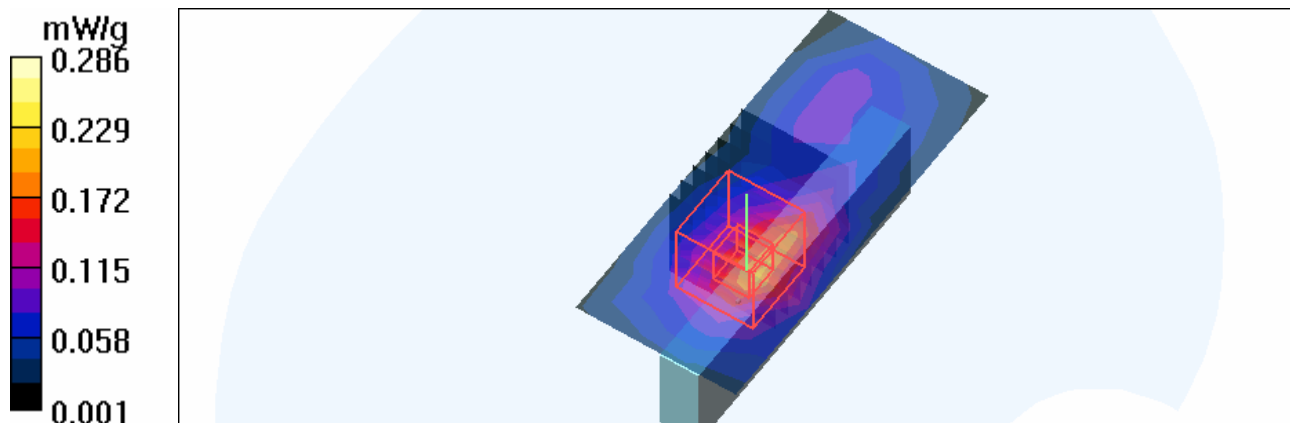
High Channel 11/Zoom Scan (7x7x7) (7x7x7)/Cube 0: Measurement grid: dx=5mm, dy=5mm, dz=5mm

Reference Value = 12.9 V/m

Peak SAR (extrapolated) = 1.01 W/kg

SAR(1 g) = 0.273 mW/g; SAR(10 g) = 0.112 mW/g

Maximum value of SAR (measured) = 0.286 mW/g



Test Laboratory: Advance Data Technology

M12-11n 40M-Ch7 edge

DUT: Wireless N USB Adapter ; Type: TL-WN821N ; Test Frequency: 2452 MHz

Communication System: 802.11n 40MHz ; Frequency: 2452 MHz ; Duty Cycle: 1:1 ; Modulation type: BPSK

Medium: MSL2450 Medium parameters used: $f = 2452$ MHz; $\sigma = 1.93$ mho/m; $\epsilon_r = 52.8$; $\rho = 1000$ kg/m³ ; Liquid level : 154 mm

Phantom section: Flat Section ; Separation distance : 5 mm (The edge side of the EUT to the Phantom)

Antenna type : Printed Antenna ; Air temp. : 23.2 degrees ; Liquid temp. : 22.1 degrees

DASY4 Configuration:

- Probe: ET3DV6 - SN1790 ; ConvF(4.16, 4.16, 4.16) ; Calibrated: 2007/11/20
- Sensor-Surface: 4mm (Mechanical Surface Detection)
- Electronics: DAE3 Sn510 ; Calibrated: 2007/8/29
- Phantom: SAM 12 ; Type: SAM V4.0 ; Serial: TP 1202
- Measurement SW: DASY4, V4.7 Build 53 ; Postprocessing SW: SEMCAD, V1.8 Build 172

High Channel 7/Area Scan (4x8x1): Measurement grid: dx=15mm, dy=15mm

Maximum value of SAR (measured) = 0.321 mW/g

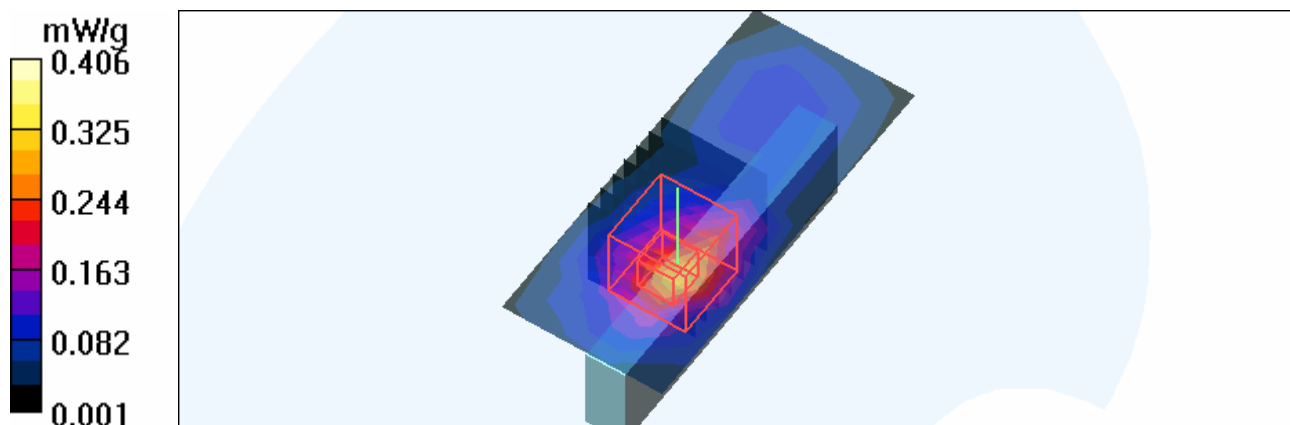
High Channel 7/Zoom Scan (7x7x7) (7x7x7)/Cube 0: Measurement grid: dx=5mm, dy=5mm, dz=5mm

Reference Value = 14.3 V/m

Peak SAR (extrapolated) = 0.895 W/kg

SAR(1 g) = 0.331 mW/g; SAR(10 g) = 0.148 mW/g

Maximum value of SAR (measured) = 0.406 mW/g



Test Laboratory: Advance Data Technology

M13-11b-Ch11 edge

DUT: Wireless N USB Adapter ; Type: TL-WN821N ; Test Frequency: 2462 MHz

Communication System: 802.11b ; Frequency: 2462 MHz ; Duty Cycle: 1:1 ; Modulation type: DBPSK
Medium: MSL2450 Medium parameters used: $f = 2462$ MHz; $\sigma = 1.95$ mho/m; $\epsilon_r = 52.6$; $\rho = 1000$ kg/m³ ; Liquid level : 154 mm

Phantom section: Flat Section ; Separation distance : 5 mm (The edge side of the EUT to the Phantom)

Antenna type : Printed Antenna ; Air temp. : 23.2 degrees ; Liquid temp. : 22.1 degrees

DASY4 Configuration:

- Probe: ET3DV6 - SN1790 ; ConvF(4.16, 4.16, 4.16) ; Calibrated: 2007/11/20
- Sensor-Surface: 4mm (Mechanical Surface Detection)
- Electronics: DAE3 Sn510 ; Calibrated: 2007/8/29
- Phantom: SAM 12 ; Type: SAM V4.0 ; Serial: TP 1202
- Measurement SW: DASY4, V4.7 Build 53 ; Postprocessing SW: SEMCAD, V1.8 Build 172

High Channel 11/Area Scan (4x8x1): Measurement grid: dx=15mm, dy=15mm

Maximum value of SAR (measured) = 0.470 mW/g

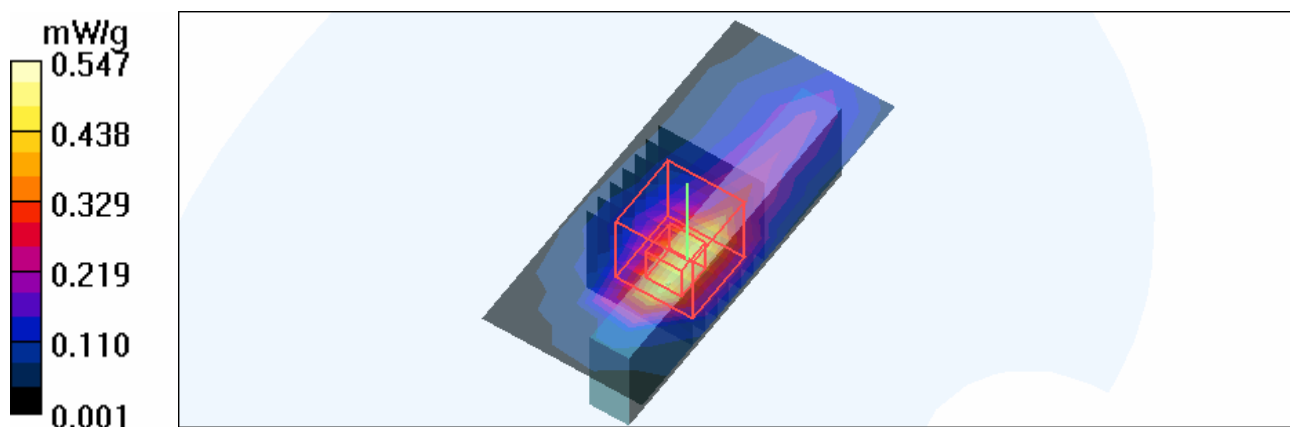
High Channel 11/Zoom Scan (7x7x7) (7x7x7)/Cube 0: Measurement grid: dx=5mm, dy=5mm, dz=5mm

Reference Value = 17.0 V/m

Peak SAR (extrapolated) = 1.23 W/kg

SAR(1 g) = 0.495 mW/g; SAR(10 g) = 0.217 mW/g

Maximum value of SAR (measured) = 0.547 mW/g



Test Laboratory: Advance Data Technology

M14-11g-Ch11 edge

DUT: Wireless N USB Adapter ; Type: TL-WN821N ; Test Frequency: 2462 MHz

Communication System: 802.11g ; Frequency: 2462 MHz ; Duty Cycle: 1:1 ; Modulation type: BPSK
 Medium: MSL2450 Medium parameters used: $f = 2462 \text{ MHz}$; $\sigma = 1.95 \text{ mho/m}$; $\epsilon_r = 52.6$; $\rho = 1000 \text{ kg/m}^3$; Liquid level : 154 mm
 Phantom section: Flat Section ; Separation distance : 5 mm (The edge side of the EUT to the Phantom)
 Antenna type : Printed Antenna ; Air temp. : 23.2 degrees ; Liquid temp. : 22.1 degrees

DASY4 Configuration:

- Probe: ET3DV6 - SN1790 ; ConvF(4.16, 4.16, 4.16) ; Calibrated: 2007/11/20
- Sensor-Surface: 4mm (Mechanical Surface Detection)
- Electronics: DAE3 Sn510 ; Calibrated: 2007/8/29
- Phantom: SAM 12 ; Type: SAM V4.0 ; Serial: TP 1202
- Measurement SW: DASY4, V4.7 Build 53 ; Postprocessing SW: SEMCAD, V1.8 Build 172

High Channel 11/Area Scan (4x8x1): Measurement grid: $dx=15\text{mm}$, $dy=15\text{mm}$
 Maximum value of SAR (measured) = 0.381 mW/g

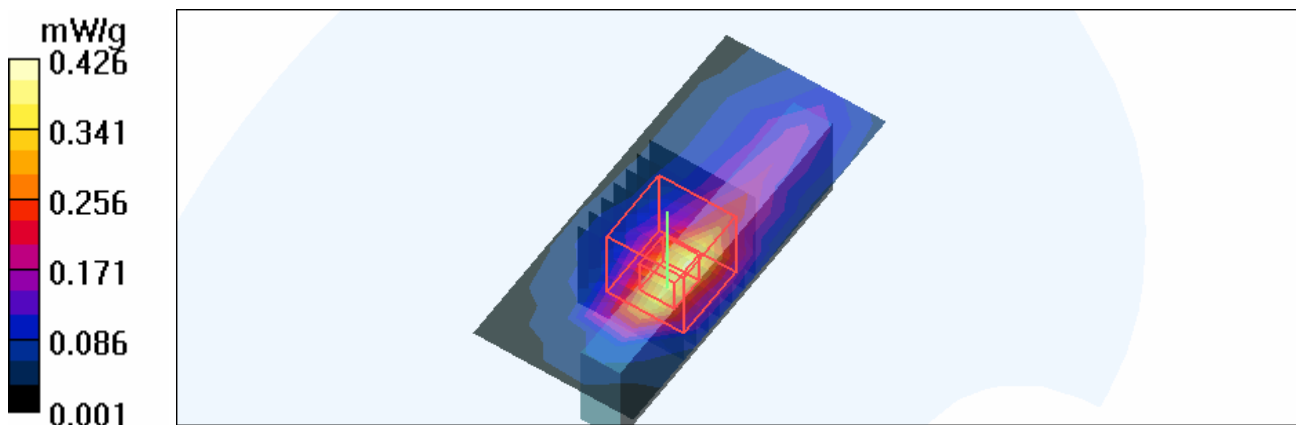
High Channel 11/Zoom Scan (7x7x7) (7x7x7)/Cube 0: Measurement grid: $dx=5\text{mm}$, $dy=5\text{mm}$, $dz=5\text{mm}$

Reference Value = 14.7 V/m

Peak SAR (extrapolated) = 0.978 W/kg

SAR(1 g) = 0.392 mW/g; SAR(10 g) = 0.169 mW/g

Maximum value of SAR (measured) = 0.426 mW/g



Test Laboratory: Advance Data Technology

M15-11n 20M-Ch11 edge

DUT: Wireless N USB Adapter ; Type: TL-WN821N ; Test Frequency: 2462 MHz

Communication System: 2.4G 11n span20 ; Frequency: 2462 MHz ; Duty Cycle: 1:1 ; Modulation type: BPSK

Medium: MSL2450 Medium parameters used: $f = 2462$ MHz; $\sigma = 1.95$ mho/m; $\epsilon_r = 52.6$; $\rho = 1000$ kg/m³ ; Liquid level : 154 mm

Phantom section: Flat Section ; Separation distance : 5 mm (The edge side of the EUT to the Phantom)

Antenna type : Printed Antenna ; Air temp. : 23.2 degrees ; Liquid temp. : 22.1 degrees

DASY4 Configuration:

- Probe: ET3DV6 - SN1790 ; ConvF(4.16, 4.16, 4.16) ; Calibrated: 2007/11/20
- Sensor-Surface: 4mm (Mechanical Surface Detection)
- Electronics: DAE3 Sn510 ; Calibrated: 2007/8/29
- Phantom: SAM 12 ; Type: SAM V4.0 ; Serial: TP 1202
- Measurement SW: DASY4, V4.7 Build 53 ; Postprocessing SW: SEMCAD, V1.8 Build 172

High Channel 11/Area Scan (4x8x1): Measurement grid: dx=15mm, dy=15mm

Maximum value of SAR (measured) = 0.497 mW/g

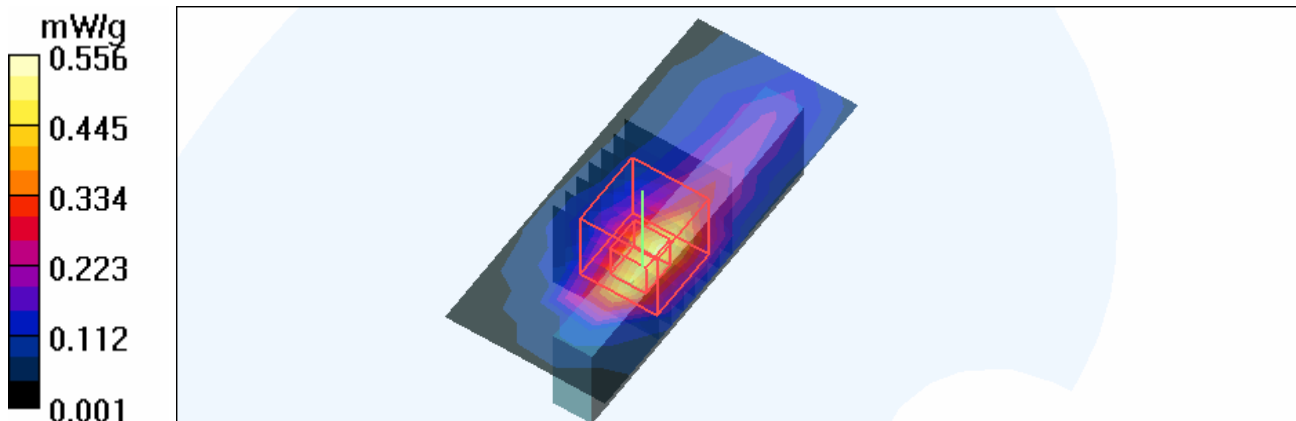
High Channel 11/Zoom Scan (7x7x7) (7x7x7)/Cube 0: Measurement grid: dx=5mm, dy=5mm, dz=5mm

Reference Value = 16.9 V/m

Peak SAR (extrapolated) = 1.27 W/kg

SAR(1 g) = 0.504 mW/g; SAR(10 g) = 0.214 mW/g

Maximum value of SAR (measured) = 0.556 mW/g



Test Laboratory: Advance Data Technology

M15-11n 40M-Ch7 edge

DUT: Wireless N USB Adapter ; Type: TL-WN821N ; Test Frequency: 2452 MHz

Communication System: 802.11n 40MHz ; Frequency: 2452 MHz ; Duty Cycle: 1:1 ; Modulation type: BPSK

Medium: MSL2450 Medium parameters used: $f = 2452$ MHz; $\sigma = 1.93$ mho/m; $\epsilon_r = 52.8$; $\rho = 1000$ kg/m³ ; Liquid level : 154 mm

Phantom section: Flat Section ; Separation distance : 5 mm (The edge side of the EUT to the Phantom)

Antenna type : Printed Antenna ; Air temp. : 23.2 degrees ; Liquid temp. : 22.1 degrees

DASY4 Configuration:

- Probe: ET3DV6 - SN1790 ; ConvF(4.16, 4.16, 4.16) ; Calibrated: 2007/11/20
- Sensor-Surface: 4mm (Mechanical Surface Detection)
- Electronics: DAE3 Sn510 ; Calibrated: 2007/8/29
- Phantom: SAM 12 ; Type: SAM V4.0 ; Serial: TP 1202
- Measurement SW: DASY4, V4.7 Build 53 ; Postprocessing SW: SEMCAD, V1.8 Build 172

High Channel 7/Area Scan (4x8x1): Measurement grid: dx=15mm, dy=15mm

Maximum value of SAR (measured) = 0.515 mW/g

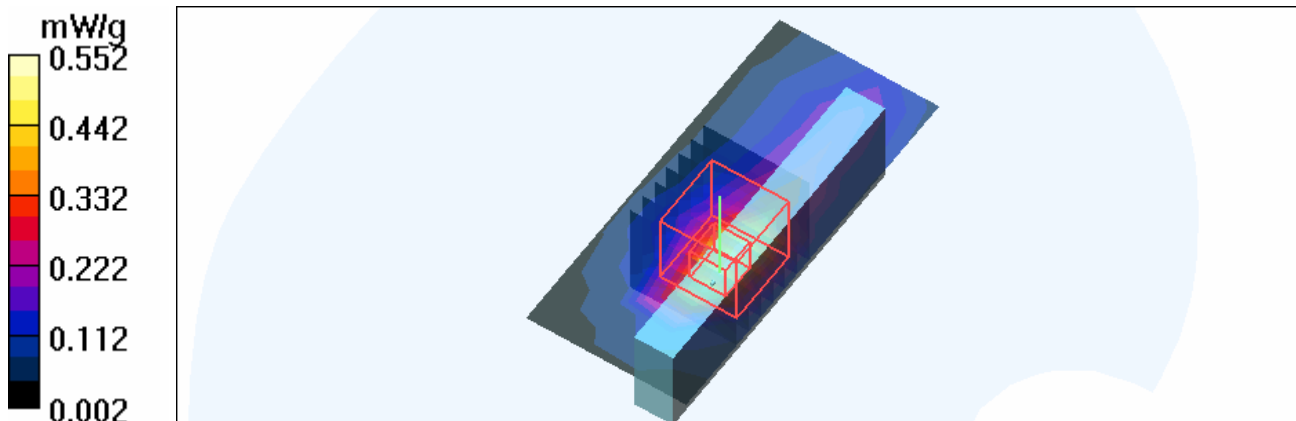
High Channel 7/Zoom Scan (7x7x7) (7x7x7)/Cube 0: Measurement grid: dx=5mm, dy=5mm, dz=5mm

Reference Value = 17.3 V/m

Peak SAR (extrapolated) = 1.26 W/kg

SAR(1 g) = 0.500 mW/g; SAR(10 g) = 0.217 mW/g

Maximum value of SAR (measured) = 0.552 mW/g



Test Laboratory: Advance Data Technology

11b-top-M16

DUT: Wireless N USB Adapter ; Type: TL-WN821N ; Test Frequency: 2462 MHz

Communication System: 802.11b ; Frequency: 2462 MHz ; Duty Cycle: 1:1 ; Modulation type: BPSK
Medium: MSL2450 Medium parameters used: $f = 2462$ MHz; $\sigma = 1.95$ mho/m; $\epsilon_r = 52.6$; $\rho = 1000$ kg/m³ ; Liquid level : 154 mm

Phantom section: Flat Section ; Separation distance : 5 mm (The top side of the EUT to the Phantom)

Antenna type : Printed Antenna ; Air temp. : 23.2 degrees ; Liquid temp. : 22.1 degrees

DASY4 Configuration:

- Probe: ET3DV6 - SN1790 ; ConvF(4.16, 4.16, 4.16) ; Calibrated: 2007/11/20
- Sensor-Surface: 4mm (Mechanical Surface Detection)
- Electronics: DAE3 Sn510 ; Calibrated: 2007/8/29
- Phantom: SAM 12 ; Type: SAM V4.0 ; Serial: TP 1202
- Measurement SW: DASY4, V4.7 Build 53 ; Postprocessing SW: SEMCAD, V1.8 Build 172

High Channel 11/Area Scan (5x5x1): Measurement grid: dx=15mm, dy=15mm

Maximum value of SAR (measured) = 0.094 mW/g

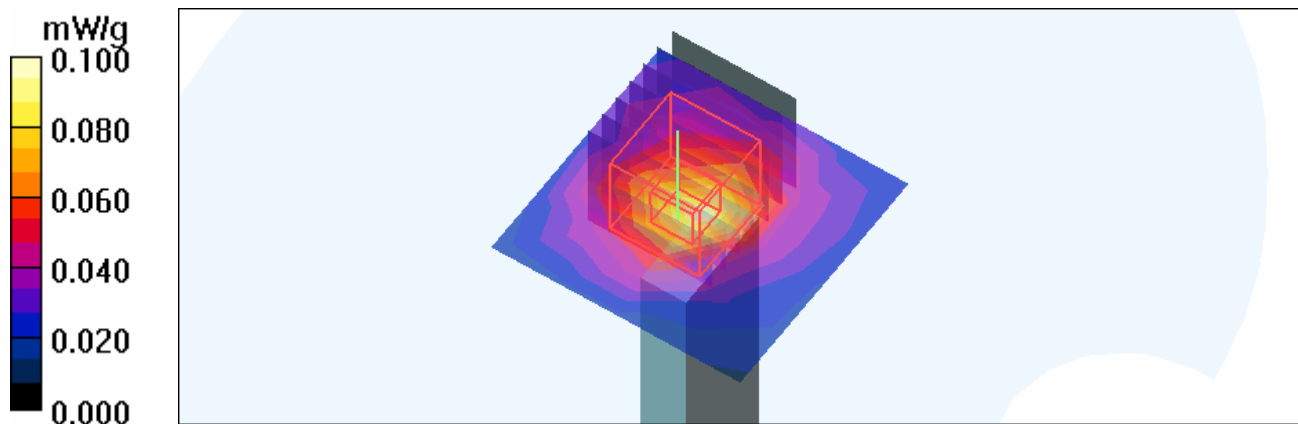
High Channel 11/Zoom Scan (7x7x7) (7x7x7)/Cube 0: Measurement grid: dx=5mm, dy=5mm, dz=5mm

Reference Value = 7.53 V/m

Peak SAR (extrapolated) = 0.197 W/kg

SAR(1 g) = 0.094 mW/g; SAR(10 g) = 0.047 mW/g

Maximum value of SAR (measured) = 0.100 mW/g



Test Laboratory: Advance Data Technology

11g-top-M17

DUT: Wireless N USB Adapter ; Type: TL-WN821N ; Test Frequency: 2462 MHz

Communication System: 802.11g ; Frequency: 2462 MHz ; Duty Cycle: 1:1 ; Modulation type: BPSK
 Medium: MSL2450 Medium parameters used: $f = 2462 \text{ MHz}$; $\sigma = 1.95 \text{ mho/m}$; $\epsilon_r = 52.6$; $\rho = 1000 \text{ kg/m}^3$; Liquid level : 154 mm

Phantom section: Flat Section ; Separation distance : 5 mm (The top side of the EUT to the Phantom)

Antenna type : Printed Antenna ; Air temp. : 23.2 degrees ; Liquid temp. : 22.1 degrees

DASY4 Configuration:

- Probe: ET3DV6 - SN1790 ; ConvF(4.16, 4.16, 4.16) ; Calibrated: 2007/11/20
- Sensor-Surface: 4mm (Mechanical Surface Detection)
- Electronics: DAE3 Sn510 ; Calibrated: 2007/8/29
- Phantom: SAM 12 ; Type: SAM V4.0 ; Serial: TP 1202
- Measurement SW: DASY4, V4.7 Build 53 ; Postprocessing SW: SEMCAD, V1.8 Build 172

High Channel 11/Area Scan (5x5x1): Measurement grid: $dx=15\text{mm}$, $dy=15\text{mm}$

Maximum value of SAR (measured) = 0.082 mW/g

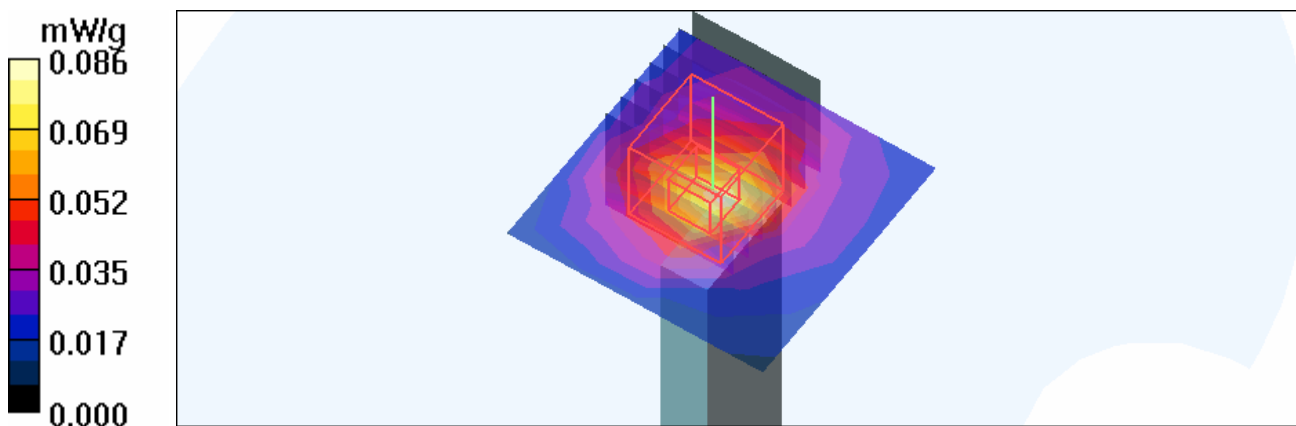
High Channel 11/Zoom Scan (7x7x7) (7x7x7)/Cube 0: Measurement grid: $dx=5\text{mm}$, $dy=5\text{mm}$, $dz=5\text{mm}$

Reference Value = 6.86 V/m

Peak SAR (extrapolated) = 0.178 W/kg

SAR(1 g) = 0.079 mW/g; SAR(10 g) = 0.038 mW/g

Maximum value of SAR (measured) = 0.086 mW/g



Test Laboratory: Advance Data Technology

11n 20M-top-M18

DUT: Wireless N USB Adapter ; Type: TL-WN821N ; Test Frequency: 2462 MHz

Communication System: 2.4G 11n span20 ; Frequency: 2462 MHz ; Duty Cycle: 1:1 ; Modulation type: BPSK

Medium: MSL2450 Medium parameters used: $f = 2462$ MHz; $\sigma = 1.95$ mho/m; $\epsilon_r = 52.6$; $\rho = 1000$ kg/m³ ; Liquid level : 154 mm

Phantom section: Flat Section ; Separation distance : 5 mm (The top side of the EUT to the Phantom)

Antenna type : Printed Antenna ; Air temp. : 23.2 degrees ; Liquid temp. : 22.1 degrees

DASY4 Configuration:

- Probe: ET3DV6 - SN1790 ; ConvF(4.16, 4.16, 4.16) ; Calibrated: 2007/11/20
- Sensor-Surface: 4mm (Mechanical Surface Detection)
- Electronics: DAE3 Sn510 ; Calibrated: 2007/8/29
- Phantom: SAM 12 ; Type: SAM V4.0 ; Serial: TP 1202
- Measurement SW: DASY4, V4.7 Build 53 ; Postprocessing SW: SEMCAD, V1.8 Build 172

High Channel 11/Area Scan (5x5x1): Measurement grid: dx=15mm, dy=15mm

Maximum value of SAR (measured) = 0.097 mW/g

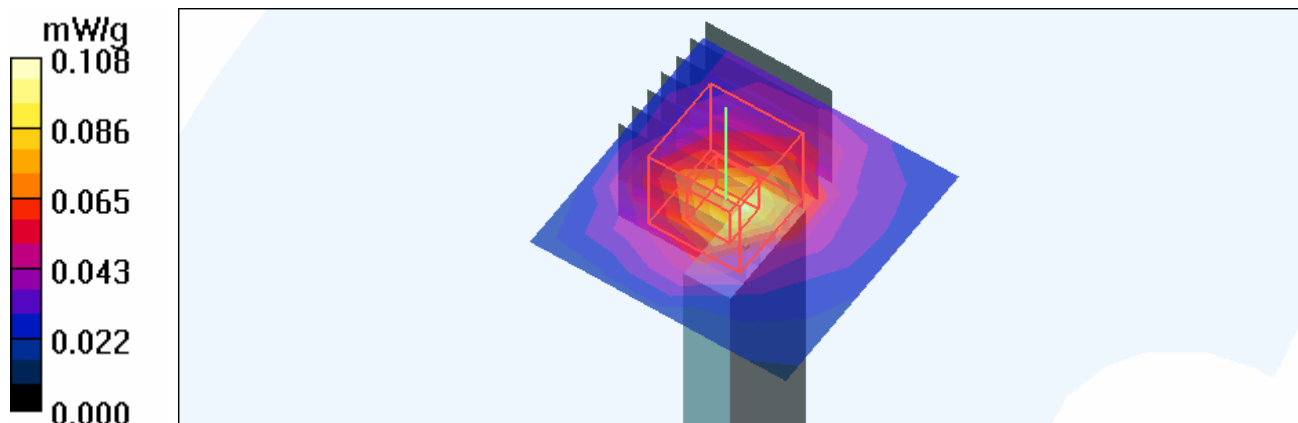
High Channel 11/Zoom Scan (7x7x7) (7x7x7)/Cube 0: Measurement grid: dx=5mm, dy=5mm, dz=5mm

Reference Value = 7.54 V/m

Peak SAR (extrapolated) = 0.223 W/kg

SAR(1 g) = 0.098 mW/g; SAR(10 g) = 0.047 mW/g

Maximum value of SAR (measured) = 0.108 mW/g



Test Laboratory: Advance Data Technology

11n 40M-top-M20**DUT: Wireless N USB Adapter ; Type: TL-WN821N ; Test Frequency: 2452 MHz**

Communication System: 802.11n 40MHz ; Frequency: 2452 MHz ; Duty Cycle: 1:1 ; Modulation type: BPSK

Medium: MSL2450 Medium parameters used: $f = 2452$ MHz; $\sigma = 1.93$ mho/m; $\epsilon_r = 52.8$; $\rho = 1000$ kg/m³ ; Liquid level : 154 mm

Phantom section: Flat Section ; Separation distance : 5 mm (The top side of the EUT to the Phantom)

Antenna type : Printed Antenna ; Air temp. : 23.2 degrees ; Liquid temp. : 22.1 degrees

DASY4 Configuration:

- Probe: ET3DV6 - SN1790 ; ConvF(4.16, 4.16, 4.16) ; Calibrated: 2007/11/20
- Sensor-Surface: 4mm (Mechanical Surface Detection)
- Electronics: DAE3 Sn510 ; Calibrated: 2007/8/29
- Phantom: SAM 12 ; Type: SAM V4.0 ; Serial: TP 1202
- Measurement SW: DASY4, V4.7 Build 53 ; Postprocessing SW: SEMCAD, V1.8 Build 172

High Channel 7/Area Scan (5x5x1): Measurement grid: dx=15mm, dy=15mm

Maximum value of SAR (measured) = 0.099 mW/g

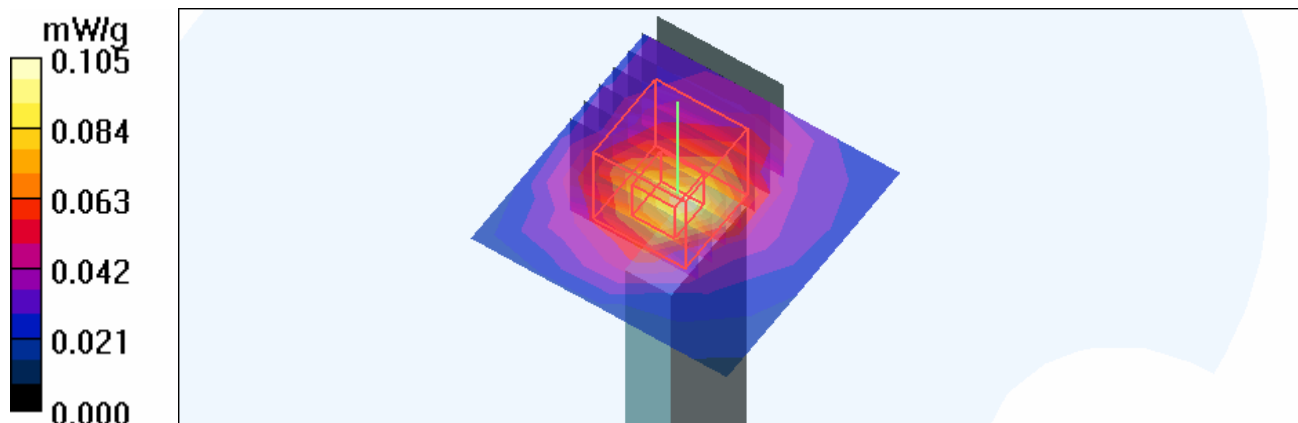
High Channel 7/Zoom Scan (7x7x7) (7x7x7)/Cube 0: Measurement grid: dx=5mm, dy=5mm, dz=5mm

Reference Value = 7.55 V/m

Peak SAR (extrapolated) = 0.224 W/kg

SAR(1 g) = 0.098 mW/g; SAR(10 g) = 0.047 mW/g

Maximum value of SAR (measured) = 0.105 mW/g



Test Laboratory: Advance Data Technology

System Validation Check-MSL 2450MHz

DUT: Dipole 2450 MHz ; Type: D2450V2 ; Serial: 737 ; Test Frequency: 2450 MHz

Communication System: CW ; Frequency: 2450 MHz; Duty Cycle: 1:1; Modulation type: CW
 Medium: MSL2450; Medium parameters used: $f = 2450$ MHz; $\sigma = 1.93$ mho/m; $\epsilon_r = 52.8$; $\rho = 1000$ kg/m³ ; Liquid level : 154 mm
 Phantom section: Flat Section ; Separation distance : 10 mm (The feetpoint of the dipole to the Phantom) Air temp. : 23.2 degrees ; Liquid temp. : 22.1 degrees

DASY4 Configuration:

- Probe: ET3DV6 - SN1790 ; ConvF(4.16, 4.16, 4.16) ; Calibrated: 2007/11/20
- Sensor-Surface: 4mm (Mechanical Surface Detection)
- Electronics: DAE3 Sn510; Calibrated: 2007/8/29
- Phantom: SAM 12; Type: SAM V4.0; Serial: TP 1202
- Measurement SW: DASY4, V4.7 Build 53; Postprocessing SW: SEMCAD, V1.8 Build 172

d=10mm, Pin=250mW/Area Scan (5x7x1): Measurement grid: dx=15mm, dy=15mm
 Maximum value of SAR (measured) = 14.9 mW/g

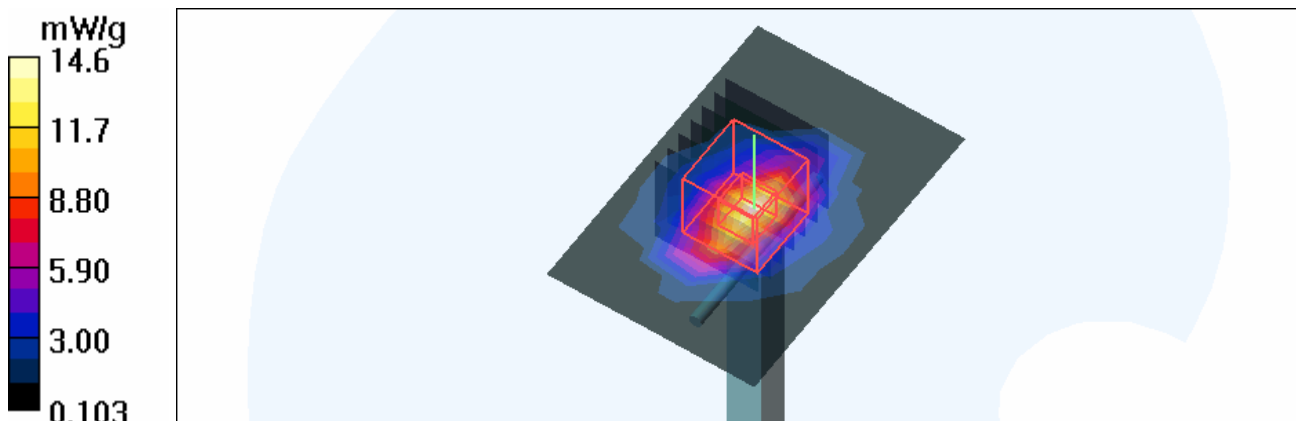
d=10mm, Pin=250mW/Zoom Scan (7x7x7)/Cube 0: Measurement grid: dx=5mm, dy=5mm, dz=5mm

Reference Value = 91.4 V/m; Power Drift = -0.095 dB

Peak SAR (extrapolated) = 27.1 W/kg

SAR(1 g) = 12.9 mW/g; SAR(10 g) = 6.03 mW/g

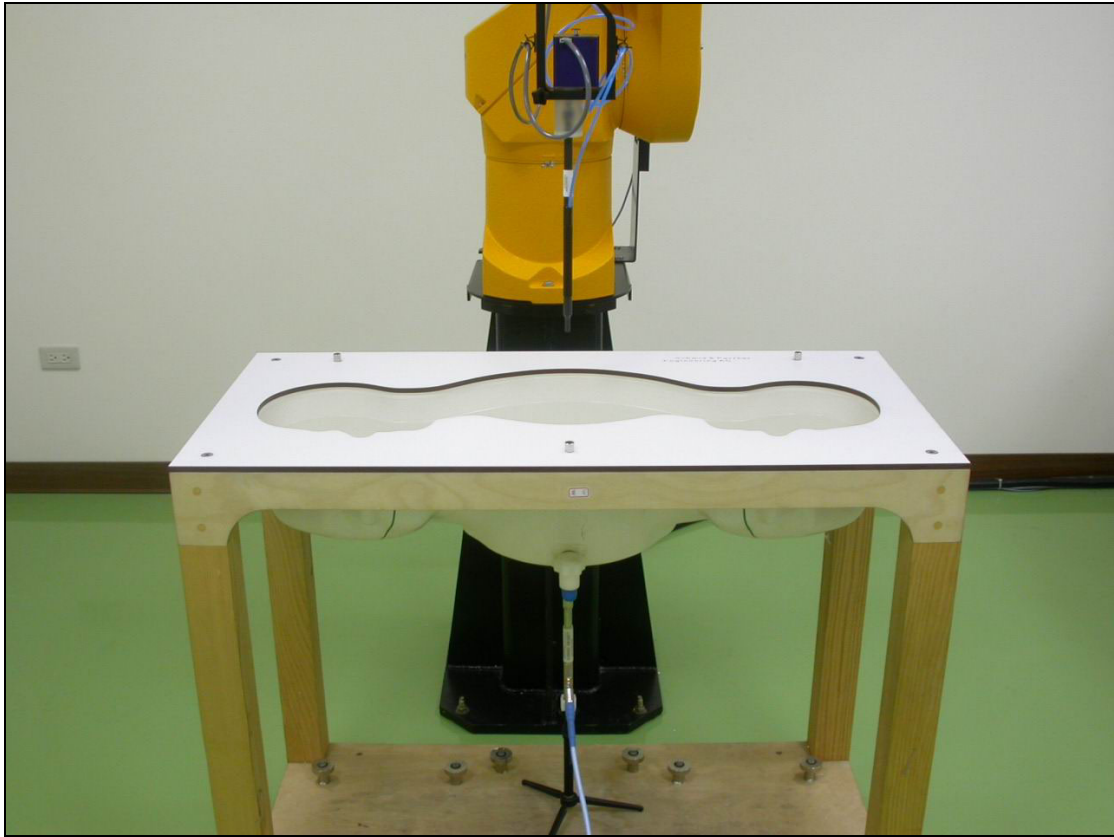
Maximum value of SAR (measured) = 14.6 mW/g



APPENDIX B: ADT SAR MEASUREMENT SYSTEM



APPENDIX C: PHOTOGRAPHS OF SYSTEM VALIDATION





APPENDIX D: SYSTEM CERTIFICATE & CALIBRATION

D1: SAM PHANTOM

Schmid & Partner Engineering AG

Zeughausstrasse 43, 8004 Zurich, Switzerland, Phone +41 1 245 97 00, Fax +41 1 245 97 79

Certificate of conformity / First Article Inspection

| | |
|-----------------------|--|
| Item | SAM Twin Phantom V4.0 |
| Type No | QD 000 P40 CA |
| Series No | TP-1150 and higher |
| Manufacturer / Origin | Untersee Composites Hauptstr. 69 CH-8559 Fruthwilen Switzerland |

Tests

The series production process used allows the limitation to test of first articles. Complete tests were made on the pre-series Type No. QD 000 P40 AA, Serial No. TP-1001 and on the series first article Type No. QD 000 P40 BA, Serial No. TP-1006. Certain parameters have been retested using further series units (called samples).

| Test | Requirement | Details | Units tested |
|----------------------|---|--|---------------------------|
| Shape | Compliance with the geometry according to the CAD model. | IT'IS CAD File (*) | First article, Samples |
| Material thickness | Compliant with the requirements according to the standards | 2mm +/- 0.2mm in specific areas | First article, Samples |
| Material parameters | Dielectric parameters for required frequencies | 200 MHz – 3 GHz Relative permittivity < 5 Loss tangent < 0.05. | Material sample TP 104-5 |
| Material resistivity | The material has been tested to be compatible with the liquids defined in the standards | Liquid type HSL 1800 and others according to the standard. | Pre-series, First article |

Standards

- [1] CENELEC EN 50361
- [2] IEEE P1528-200x draft 6.5
- [3] IEC PT 62209 draft 0.9

(*) The IT'IS CAD file is derived from [2] and is also within the tolerance requirements of the shapes of [1] and [3].

Conformity

Based on the sample tests above, we certify that this item is in compliance with the uncertainty requirements of SAR measurements specified in standard [1] and draft standards [2] and [3].

Date 28.02.2002

Signature / Stamp

F. Bombault

**Schmid & Partner
Engineering AG**

Zeughausstrasse 43, CH-8004 Zurich
Tel. +41 1 245 97 00, Fax +41 1 245 97 79

Johannes Kofler



Accredited by the Swiss Accreditation Service (SAS)
The Swiss Accreditation Service is one of the signatories to the EA
Multilateral Agreement for the recognition of calibration certificates

Accreditation No.: **SCS 108**

Client **ADT (Auden)**

Certificate No. **ET3-1790_Nov07**

CALIBRATION CERTIFICATE

Object **ET3DV6 - SN 1790**

Calibration procedure(s) **QA CAL-01 v6
Calibration procedure for dosimetric E-field probes**

Calibration date: **November 20, 2007**

Condition of the calibrated item **In Tolerance**

This calibration certificate documents the traceability to national standards, which realize the physical units of measurements (SI).
The measurements and the uncertainties with confidence probability are given on the following pages and are part of the certificate.

All calibrations have been conducted in the closed laboratory facility: environment temperature (22 ± 3)°C and humidity < 70%.

Calibration Equipment used (M&TE critical for calibration)

| Primary Standards | ID # | Cal Date (Calibrated by, Certificate No.) | Scheduled Calibration |
|----------------------------|-----------------|---|------------------------|
| Power meter E4419B | GB41293874 | 29-Mar-07 (METAS, No. 217-00670) | Mar-08 |
| Power sensor E4412A | MY41495277 | 29-Mar-07 (METAS, No. 217-00670) | Mar-08 |
| Power sensor E4412A | MY41498087 | 29-Mar-07 (METAS, No. 217-00670) | Mar-08 |
| Reference 3 dB Attenuator | SN: S5054 (3c) | 8-Aug-07 (METAS, No. 217-00719) | Aug-08 |
| Reference 20 dB Attenuator | SN: S5086 (20b) | 29-Mar-07 (METAS, No. 217-00671) | Mar-08 |
| Reference 30 dB Attenuator | SN: S5129 (30b) | 8-Aug-07 (METAS, No. 217-00720) | Aug-08 |
| Reference Probe ES3DV2 | SN: 3013 | 4-Jan-07 (SPEAG, No. ES3-3013_Jan07) | Jan-08 |
| DAE4 | SN: 654 | 20-Apr-07 (SPEAG, No. DAE4-654_Apr07) | Apr-08 |
| Secondary Standards | ID # | Check Date (in house) | Scheduled Check |
| RF generator HP 8648C | US3642U01700 | 4-Aug-99 (SPEAG, in house check Oct-07) | In house check: Oct-09 |
| Network Analyzer HP 8753E | US37390585 | 18-Oct-01 (SPEAG, in house check Oct-07) | In house check: Oct-08 |

| | Name | Function | Signature |
|----------------|---------------|-------------------|-----------|
| Calibrated by: | Katja Pokovic | Technical Manager | |
| Approved by: | Niels Kusler | Quality Manager | |

Issued: November 20, 2007

This calibration certificate shall not be reproduced except in full without written approval of the laboratory.



Accredited by the Swiss Accreditation Service (SAS)
The Swiss Accreditation Service is one of the signatories to the EA
Multilateral Agreement for the recognition of calibration certificates

Accreditation No.: **SCS 108**

Glossary:

| | |
|--------------------------|--|
| TSL | tissue simulating liquid |
| NORM _{x,y,z} | sensitivity in free space |
| ConvF | sensitivity in TSL / NORM _{x,y,z} |
| DCP | diode compression point |
| Polarization ϕ | ϕ rotation around probe axis |
| Polarization ϑ | ϑ rotation around an axis that is in the plane normal to probe axis (at measurement center), i.e., $\vartheta = 0$ is normal to probe axis |

Calibration is Performed According to the Following Standards:

- IEEE Std 1528-2003, "IEEE Recommended Practice for Determining the Peak Spatial-Averaged Specific Absorption Rate (SAR) in the Human Head from Wireless Communications Devices: Measurement Techniques", December 2003
- IEC 62209-1, "Procedure to measure the Specific Absorption Rate (SAR) for hand-held devices used in close proximity to the ear (frequency range of 300 MHz to 3 GHz)", February 2005

Methods Applied and Interpretation of Parameters:

- NORM_{x,y,z}**: Assessed for E-field polarization $\vartheta = 0$ ($f \leq 900$ MHz in TEM-cell; $f > 1800$ MHz: R22 waveguide). NORM_{x,y,z} are only intermediate values, i.e., the uncertainties of NORM_{x,y,z} does not effect the E²-field uncertainty inside TSL (see below *ConvF*).
- NORM(f)_{x,y,z} = NORM_{x,y,z} * frequency_response** (see Frequency Response Chart). This linearization is implemented in DASY4 software versions later than 4.2. The uncertainty of the frequency response is included in the stated uncertainty of *ConvF*.
- DCP_{x,y,z}**: DCP are numerical linearization parameters assessed based on the data of power sweep (no uncertainty required). DCP does not depend on frequency nor media.
- ConvF and Boundary Effect Parameters**: Assessed in flat phantom using E-field (or Temperature Transfer Standard for $f \leq 800$ MHz) and inside waveguide using analytical field distributions based on power measurements for $f > 800$ MHz. The same setups are used for assessment of the parameters applied for boundary compensation (alpha, depth) of which typical uncertainty values are given. These parameters are used in DASY4 software to improve probe accuracy close to the boundary. The sensitivity in TSL corresponds to NORM_{x,y,z} * ConvF whereby the uncertainty corresponds to that given for ConvF. A frequency dependent ConvF is used in DASY version 4.4 and higher which allows extending the validity from ± 50 MHz to ± 100 MHz.
- Spherical isotropy (3D deviation from isotropy)**: in a field of low gradients realized using a flat phantom exposed by a patch antenna.
- Sensor Offset**: The sensor offset corresponds to the offset of virtual measurement center from the probe tip (on probe axis). No tolerance required.

Probe ET3DV6

SN:1790

| | |
|------------------|-------------------|
| Manufactured: | May 28, 2003 |
| Last calibrated: | November 23, 2006 |
| Recalibrated: | November 20, 2007 |

Calibrated for DASY Systems

(Note: non-compatible with DASY2 system!)

DASY - Parameters of Probe: ET3DV6 SN:1790

| Sensitivity in Free Space ^A | | | Diode Compression ^B | |
|--|--------------|-------------------------------------|--------------------------------|-------|
| NormX | 2.10 ± 10.1% | $\mu\text{V}/(\text{V}/\text{m})^2$ | DCP X | 92 mV |
| NormY | 2.11 ± 10.1% | $\mu\text{V}/(\text{V}/\text{m})^2$ | DCP Y | 92 mV |
| NormZ | 1.77 ± 10.1% | $\mu\text{V}/(\text{V}/\text{m})^2$ | DCP Z | 92 mV |

Sensitivity in Tissue Simulating Liquid (Conversion Factors)

Please see Page 8.

Boundary Effect**TSL 900 MHz Typical SAR gradient: 5 % per mm**

| | | | |
|---|------------------------------|---------------|---------------|
| Sensor Center to Phantom Surface Distance | | 3.7 mm | 4.7 mm |
| SAR _{be} [%] | Without Correction Algorithm | 6.2 | 3.3 |
| SAR _{be} [%] | With Correction Algorithm | 0.8 | 0.5 |

TSL 1750 MHz Typical SAR gradient: 10 % per mm

| | | | |
|---|------------------------------|---------------|---------------|
| Sensor Center to Phantom Surface Distance | | 3.7 mm | 4.7 mm |
| SAR _{be} [%] | Without Correction Algorithm | 12.2 | 8.1 |
| SAR _{be} [%] | With Correction Algorithm | 0.9 | 0.0 |

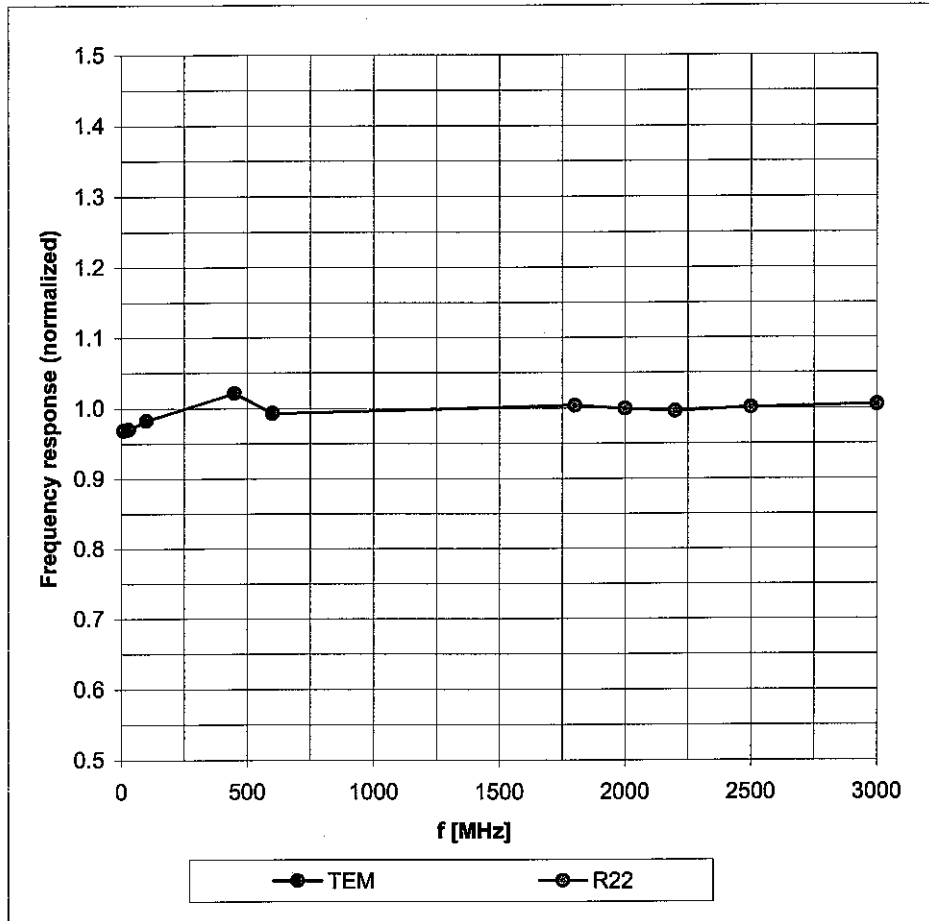
Sensor OffsetProbe Tip to Sensor Center **2.7 mm**

The reported uncertainty of measurement is stated as the standard uncertainty of measurement multiplied by the coverage factor k=2, which for a normal distribution corresponds to a coverage probability of approximately 95%.

^A The uncertainties of NormX,Y,Z do not affect the E²-field uncertainty inside TSL (see Page 8).^B Numerical linearization parameter: uncertainty not required.

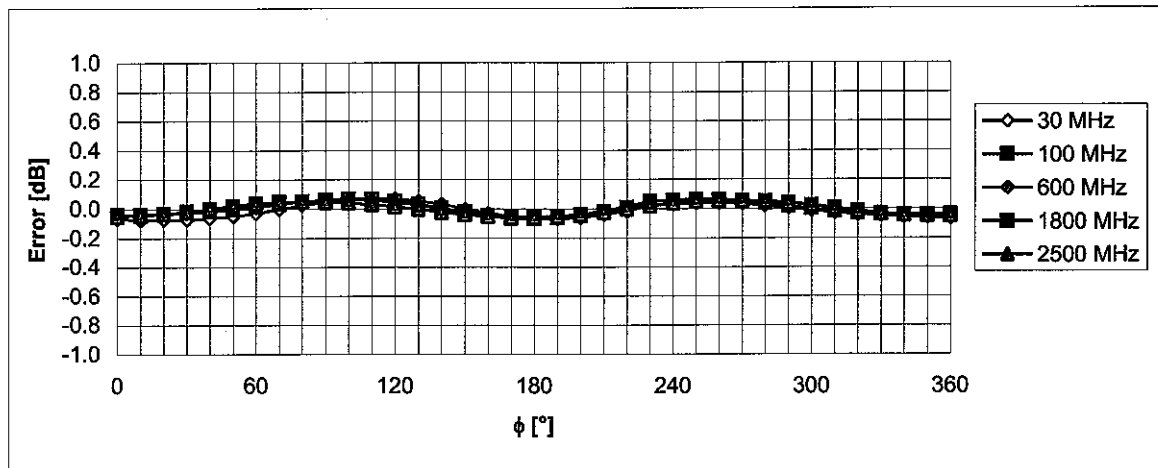
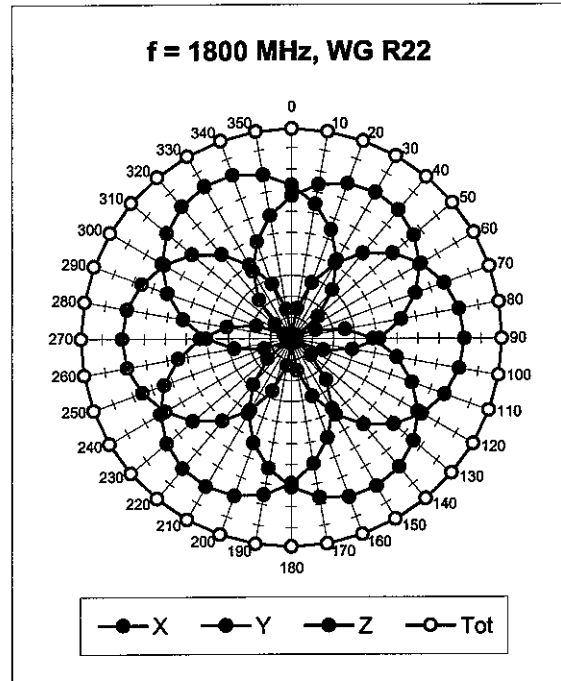
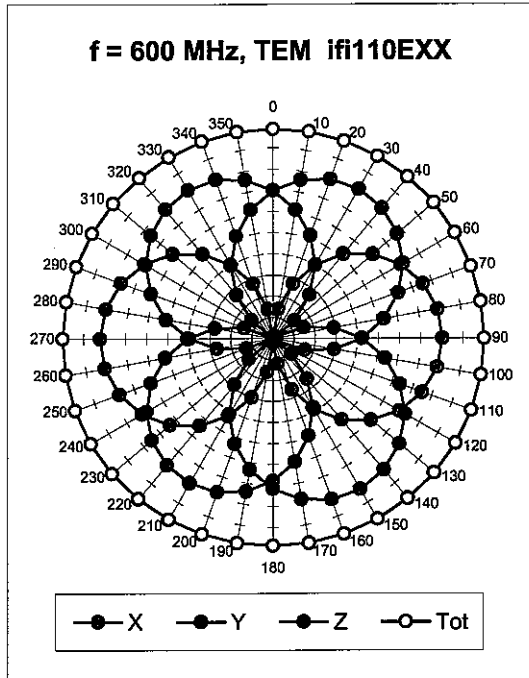
Frequency Response of E-Field

(TEM-Cell:ifi110 EXX, Waveguide: R22)



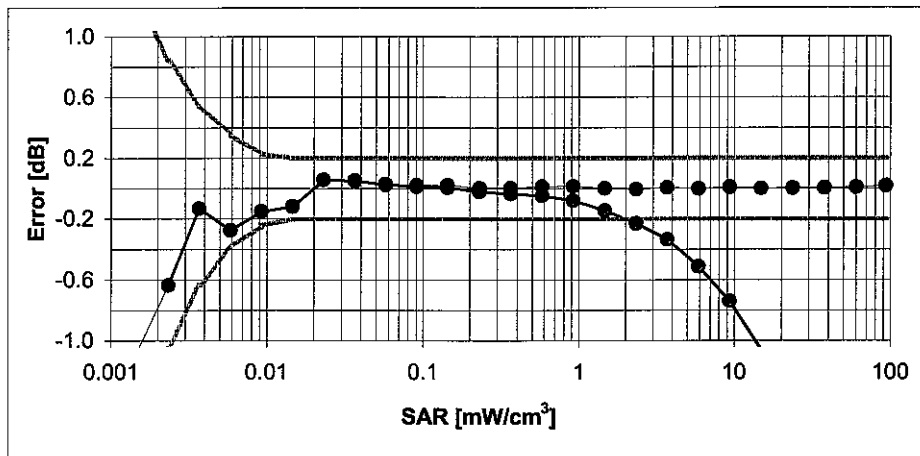
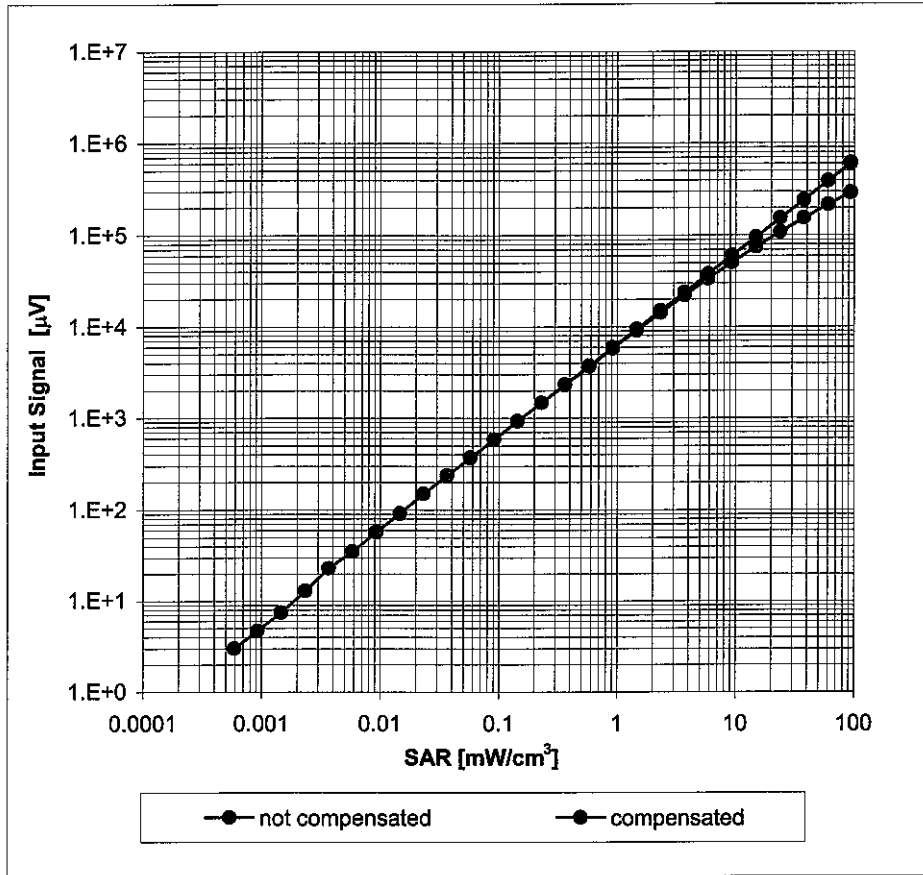
Uncertainty of Frequency Response of E-field: $\pm 6.3\%$ (k=2)

Receiving Pattern (ϕ), $\vartheta = 0^\circ$



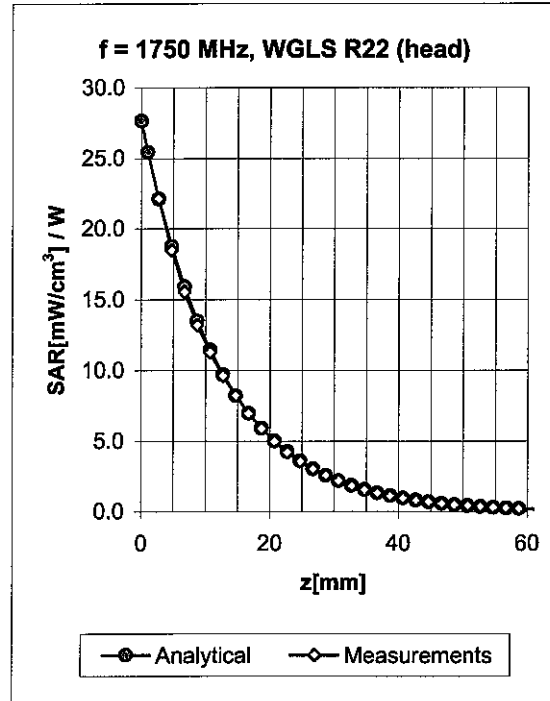
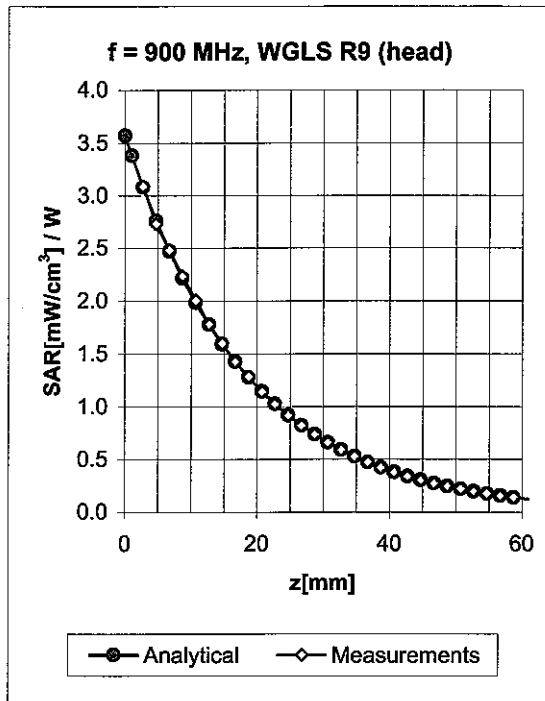
Uncertainty of Axial Isotropy Assessment: $\pm 0.5\%$ ($k=2$)

Dynamic Range f(SAR_{head}) (Waveguide R22, f = 1800 MHz)



Uncertainty of Linearity Assessment: $\pm 0.6\%$ (k=2)

Conversion Factor Assessment

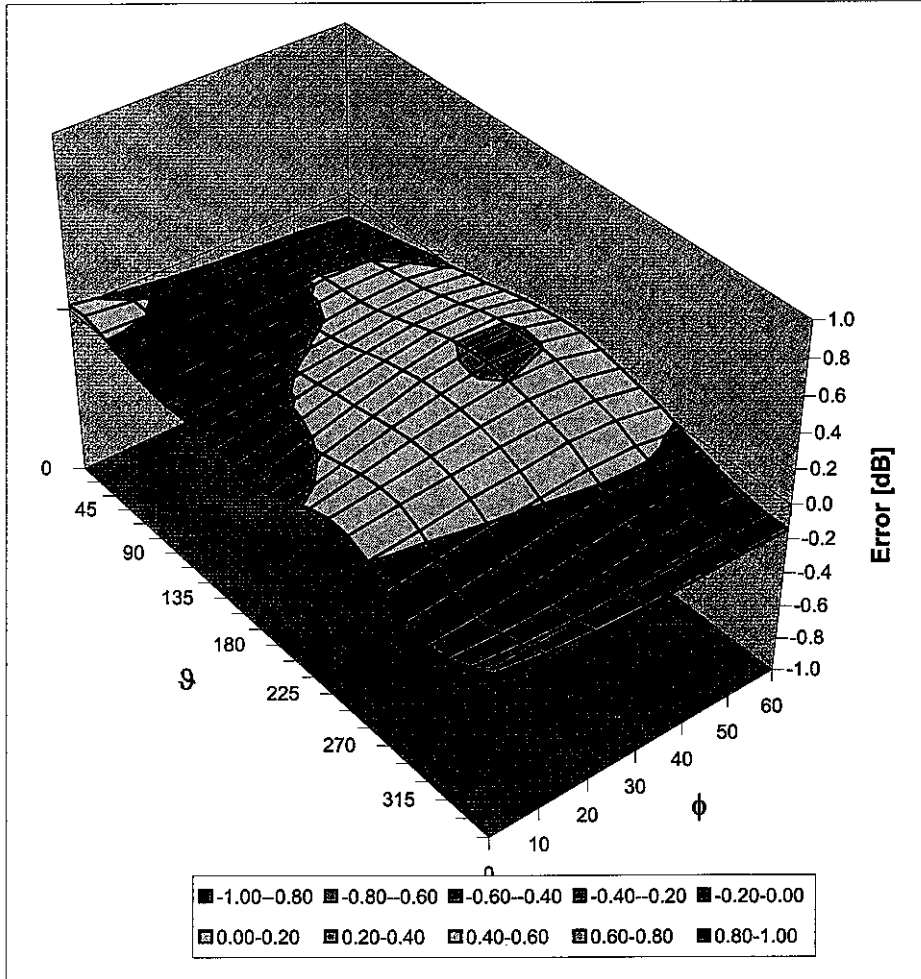


| f [MHz] | Validity [MHz] ^c | TSL | Permittivity | Conductivity | Alpha | Depth | ConvF Uncertainty |
|---------|-----------------------------|------|--------------|--------------|-------|-------|--------------------|
| 900 | ± 50 / ± 100 | Head | 41.5 ± 5% | 0.97 ± 5% | 0.59 | 2.17 | 6.65 ± 11.0% (k=2) |
| 1750 | ± 50 / ± 100 | Head | 40.1 ± 5% | 1.37 ± 5% | 0.59 | 2.28 | 5.42 ± 11.0% (k=2) |
| 1950 | ± 50 / ± 100 | Head | 40.0 ± 5% | 1.40 ± 5% | 0.63 | 2.14 | 5.10 ± 11.0% (k=2) |
| 2450 | ± 50 / ± 100 | Head | 39.2 ± 5% | 1.80 ± 5% | 0.74 | 1.94 | 4.74 ± 11.8% (k=2) |
| 900 | ± 50 / ± 100 | Body | 55.0 ± 5% | 1.05 ± 5% | 0.67 | 2.06 | 6.15 ± 11.0% (k=2) |
| 1750 | ± 50 / ± 100 | Body | 53.4 ± 5% | 1.49 ± 5% | 0.57 | 2.54 | 4.98 ± 11.0% (k=2) |
| 1950 | ± 50 / ± 100 | Body | 53.3 ± 5% | 1.52 ± 5% | 0.60 | 2.49 | 4.58 ± 11.0% (k=2) |
| 2450 | ± 50 / ± 100 | Body | 52.7 ± 5% | 1.95 ± 5% | 0.66 | 2.27 | 4.16 ± 11.8% (k=2) |

^c The validity of ± 100 MHz only applies for DASY v4.4 and higher (see Page 2). The uncertainty is the RSS of the ConvF uncertainty at calibration frequency and the uncertainty for the indicated frequency band.

Deviation from Isotropy in HSL

Error (ϕ , ϑ), $f = 900$ MHz



Uncertainty of Spherical Isotropy Assessment: $\pm 2.6\%$ ($k=2$)



Accredited by the Swiss Federal Office of Metrology and Accreditation
The Swiss Accreditation Service is one of the signatories to the EA
Multilateral Agreement for the recognition of calibration certificates

Accreditation No.: **SCS 108**

Client **ADT (Auden)**

Certificate No: **DAE3-510_Aug07**

CALIBRATION CERTIFICATE

Object **DAE3 - SD.000 D03 AA - SN: 510**

Calibration procedure(s) **QA CAL-06 v12
Calibration procedure for the data acquisition electronics (DAE)**

Calibration date: **August 29, 2007**

Condition of the calibrated item **In Tolerance**

This calibration certificate documents the traceability to national standards, which realize the physical units of measurements (SI).
The measurements and the uncertainties with confidence probability are given on the following pages and are part of the certificate.

All calibrations have been conducted in the closed laboratory facility: environment temperature (22 ± 3)°C and humidity < 70%.

Calibration Equipment used (M&TE critical for calibration)

| Primary Standards | ID # | Cal Date (Calibrated by, Certificate No.) | Scheduled Calibration |
|-----------------------------------|--------------------|---|-----------------------|
| Fluke Process Calibrator Type 702 | SN: 6295803 | 13-Oct-06 (Elcal AG, No: 5492) | Oct-07 |
| Keithley Multimeter Type 2001 | SN: 0810278 | 03-Oct-06 (Elcal AG, No: 5478) | Oct-07 |
| Secondary Standards | ID # | Check Date (in house) | Scheduled Check |
| Calibrator Box V1.1 | SE UMS 006 AB 1004 | 25-Jun-07 (SPEAG, in house check) | In house check Jun-08 |

Calibrated by: **Name** Dominique Steffen **Function** Technician **Signature**

Approved by: **Name** Fin Bornholt **Function** R&D Director **Signature**

Issued: August 29, 2007

This calibration certificate shall not be reproduced except in full without written approval of the laboratory.



Glossary

| | |
|-----------------|---|
| DAE | data acquisition electronics |
| Connector angle | information used in DASY system to align probe sensor X to the robot coordinate system. |

Methods Applied and Interpretation of Parameters

- *DC Voltage Measurement:* Calibration Factor assessed for use in DASY system by comparison with a calibrated instrument traceable to national standards. The figure given corresponds to the full scale range of the voltmeter in the respective range.
- *Connector angle:* The angle of the connector is assessed measuring the angle mechanically by a tool inserted. Uncertainty is not required.
- The following parameters contain technical information as a result from the performance test and require no uncertainty.
- *DC Voltage Measurement Linearity:* Verification of the Linearity at +10% and -10% of the nominal calibration voltage. Influence of offset voltage is included in this measurement.
- *Common mode sensitivity:* Influence of a positive or negative common mode voltage on the differential measurement.
- *Channel separation:* Influence of a voltage on the neighbor channels not subject to an input voltage.
- *AD Converter Values with inputs shorted:* Values on the internal AD converter corresponding to zero input voltage
- *Input Offset Measurement:* Output voltage and statistical results over a large number of zero voltage measurements.
- *Input Offset Current:* Typical value for information; Maximum channel input offset current, not considering the input resistance.
- *Input resistance:* DAE input resistance at the connector, during internal auto-zeroing and during measurement.
- *Low Battery Alarm Voltage:* Typical value for information. Below this voltage, a battery alarm signal is generated.
- *Power consumption:* Typical value for information. Supply currents in various operating modes.

DC Voltage Measurement

A/D - Converter Resolution nominal

High Range: 1LSB = 6.1 μ V, full range = -100...+300 mV

Low Range: 1LSB = 61nV, full range = -1.....+3mV

DASY measurement parameters: Auto Zero Time: 3 sec; Measuring time: 3 sec

| Calibration Factors | X | Y | Z |
|---------------------|--------------------------|--------------------------|--------------------------|
| High Range | 404.150 \pm 0.1% (k=2) | 404.218 \pm 0.1% (k=2) | 404.585 \pm 0.1% (k=2) |
| Low Range | 3.98817 \pm 0.7% (k=2) | 3.97339 \pm 0.7% (k=2) | 3.96897 \pm 0.7% (k=2) |

Connector Angle

| | |
|---|----------------------------------|
| Connector Angle to be used in DASY system | 42 $^{\circ}$ \pm 1 $^{\circ}$ |
|---|----------------------------------|

Appendix

1. DC Voltage Linearity

| High Range | Input (μV) | Reading (μV) | Error (%) |
|-------------------|-------------------------|---------------------------|-----------|
| Channel X + Input | 200000 | 200000.7 | 0.00 |
| Channel X + Input | 20000 | 20006.63 | 0.03 |
| Channel X - Input | 20000 | -19999.14 | 0.00 |
| Channel Y + Input | 200000 | 199999.5 | 0.00 |
| Channel Y + Input | 20000 | 20005.23 | 0.03 |
| Channel Y - Input | 20000 | -20002.04 | 0.01 |
| Channel Z + Input | 200000 | 199999.6 | 0.00 |
| Channel Z + Input | 20000 | 20006.53 | 0.03 |
| Channel Z - Input | 20000 | -20001.38 | 0.01 |

| Low Range | Input (μV) | Reading (μV) | Error (%) |
|-------------------|-------------------------|---------------------------|-----------|
| Channel X + Input | 2000 | 2000 | 0.00 |
| Channel X + Input | 200 | 199.97 | -0.01 |
| Channel X - Input | 200 | -199.90 | -0.05 |
| Channel Y + Input | 2000 | 2000.1 | 0.00 |
| Channel Y + Input | 200 | 199.64 | -0.18 |
| Channel Y - Input | 200 | -200.58 | 0.29 |
| Channel Z + Input | 2000 | 2000 | 0.00 |
| Channel Z + Input | 200 | 199.20 | -0.40 |
| Channel Z - Input | 200 | -200.81 | 0.41 |

2. Common mode sensitivity

DASY measurement parameters: Auto Zero Time: 3 sec; Measuring time: 3 sec

| | Common mode Input Voltage (mV) | High Range Average Reading (μV) | Low Range Average Reading (μV) |
|-----------|--------------------------------|--|---|
| Channel X | 200 | 17.82 | 16.82 |
| | - 200 | -16.18 | -16.83 |
| Channel Y | 200 | 14.68 | 14.20 |
| | - 200 | -15.70 | -16.05 |
| Channel Z | 200 | -8.25 | -8.73 |
| | - 200 | 8.01 | 8.08 |

3. Channel separation

DASY measurement parameters: Auto Zero Time: 3 sec; Measuring time: 3 sec

| | Input Voltage (mV) | Channel X (μV) | Channel Y (μV) | Channel Z (μV) |
|-----------|--------------------|-----------------------------|-----------------------------|-----------------------------|
| Channel X | 200 | - | 0.75 | 1.74 |
| Channel Y | 200 | 2.34 | - | 2.77 |
| Channel Z | 200 | -1.43 | 0.25 | - |

4. AD-Converter Values with inputs shorted

DASY measurement parameters: Auto Zero Time: 3 sec; Measuring time: 3 sec

| | High Range (LSB) | Low Range (LSB) |
|-----------|------------------|-----------------|
| Channel X | 15893 | 16120 |
| Channel Y | 16114 | 16051 |
| Channel Z | 16081 | 16196 |

5. Input Offset Measurement

DASY measurement parameters: Auto Zero Time: 3 sec; Measuring time: 3 sec

Input 10M Ω

| | Average (μ V) | min. Offset (μ V) | max. Offset (μ V) | Std. Deviation (μ V) |
|-----------|--------------------|------------------------|------------------------|---------------------------|
| Channel X | -0.67 | -1.71 | -0.06 | 0.26 |
| Channel Y | -1.04 | -3.37 | 0.35 | 0.34 |
| Channel Z | -1.26 | -3.29 | 0.15 | 0.35 |

6. Input Offset Current

Nominal Input circuitry offset current on all channels: <25fA

7. Input Resistance

| | Zeroing (MOhm) | Measuring (MOhm) |
|-----------|----------------|------------------|
| Channel X | 0.2001 | 198.5 |
| Channel Y | 0.2001 | 199.2 |
| Channel Z | 0.2000 | 200.3 |

8. Low Battery Alarm Voltage (verified during pre test)

| Typical values | Alarm Level (VDC) |
|----------------|-------------------|
| Supply (+ Vcc) | +7.9 |
| Supply (- Vcc) | -7.6 |

9. Power Consumption (verified during pre test)

| Typical values | Switched off (mA) | Stand by (mA) | Transmitting (mA) |
|----------------|-------------------|---------------|-------------------|
| Supply (+ Vcc) | +0.0 | +6 | +14 |
| Supply (- Vcc) | -0.01 | -8 | -9 |



Accredited by the Swiss Accreditation Service (SAS)
The Swiss Accreditation Service is one of the signatories to the EA
Multilateral Agreement for the recognition of calibration certificates

Accreditation No.: **SCS 108**

Client **ADT (Auden)**

Certificate No: **D2450V2-737_Apr08**

CALIBRATION CERTIFICATE

Object **D2450V2 - SN: 737**

Calibration procedure(s) **QA CAL-05.v7
Calibration procedure for dipole validation kits**

Calibration date: **April 22, 2008**

Condition of the calibrated item **In Tolerance**

This calibration certificate documents the traceability to national standards, which realize the physical units of measurements (SI).
The measurements and the uncertainties with confidence probability are given on the following pages and are part of the certificate.

All calibrations have been conducted in the closed laboratory facility: environment temperature (22 ± 3)°C and humidity < 70%.

Calibration Equipment used (M&TE critical for calibration)

| Primary Standards | ID # | Cal Date (Certificate No.) | Scheduled Calibration |
|-----------------------------|--------------------|-----------------------------------|------------------------|
| Power meter EPM-442A | GB37480704 | 04-Oct-07 (No. 217-00736) | Oct-08 |
| Power sensor HP 8481A | US37292783 | 04-Oct-07 (No. 217-00736) | Oct-08 |
| Reference 20 dB Attenuator | SN: 5086 (20g) | 07-Aug-07 (No 217-00718) | Aug-08 |
| Type-N mismatch combination | SN: 5047.2 / 06327 | 08-Aug-07 (No. 217-00721) | Aug-08 |
| Reference Probe ES3DV2 | SN: 3025 | 01-Mar-08 (No. ES3-3025_Mar08) | Mar-09 |
| DAE4 | SN: 601 | 14-Mar-08 (No. DAE4-601_Mar08) | Mar-09 |
| Secondary Standards | ID # | Check Date (in house) | Scheduled Check |
| Power sensor HP 8481A | MY41092317 | 18-Oct-02 (in house check Oct-07) | In house check: Oct-09 |
| RF generator R&S SMT-06 | 100005 | 4-Aug-99 (in house check Oct-07) | In house check: Oct-09 |
| Network Analyzer HP 8753E | US37390585 S4206 | 18-Oct-01 (in house check Oct-07) | In house check: Oct-08 |

| | Name | Function | Signature |
|----------------|---------------|-----------------------|-----------|
| Calibrated by: | Marcel Fehr | Laboratory Technician | |
| Approved by: | Katja Pokovic | Technical Manager | |

Issued: April 23, 2008

This calibration certificate shall not be reproduced except in full without written approval of the laboratory.



Accredited by the Swiss Accreditation Service (SAS)
The Swiss Accreditation Service is one of the signatories to the EA
Multilateral Agreement for the recognition of calibration certificates

Accreditation No.: **SCS 108**

Glossary:

| | |
|-------|---------------------------------|
| TSL | tissue simulating liquid |
| ConvF | sensitivity in TSL / NORM x,y,z |
| N/A | not applicable or not measured |

Calibration is Performed According to the Following Standards:

- a) IEEE Std 1528-2003, "IEEE Recommended Practice for Determining the Peak Spatial-Averaged Specific Absorption Rate (SAR) in the Human Head from Wireless Communications Devices: Measurement Techniques", December 2003
- b) IEC 62209-1, "Procedure to measure the Specific Absorption Rate (SAR) for hand-held devices used in close proximity to the ear (frequency range of 300 MHz to 3 GHz)", February 2005
- c) Federal Communications Commission Office of Engineering & Technology (FCC OET), "Evaluating Compliance with FCC Guidelines for Human Exposure to Radiofrequency Electromagnetic Fields; Additional Information for Evaluating Compliance of Mobile and Portable Devices with FCC Limits for Human Exposure to Radiofrequency Emissions", Supplement C (Edition 01-01) to Bulletin 65

Additional Documentation:

- d) DASY4/5 System Handbook

Methods Applied and Interpretation of Parameters:

- *Measurement Conditions:* Further details are available from the Validation Report at the end of the certificate. All figures stated in the certificate are valid at the frequency indicated.
- *Antenna Parameters with TSL:* The dipole is mounted with the spacer to position its feed point exactly below the center marking of the flat phantom section, with the arms oriented parallel to the body axis.
- *Feed Point Impedance and Return Loss:* These parameters are measured with the dipole positioned under the liquid filled phantom. The impedance stated is transformed from the measurement at the SMA connector to the feed point. The Return Loss ensures low reflected power. No uncertainty required.
- *Electrical Delay:* One-way delay between the SMA connector and the antenna feed point. No uncertainty required.
- *SAR measured:* SAR measured at the stated antenna input power.
- *SAR normalized:* SAR as measured, normalized to an input power of 1 W at the antenna connector.
- *SAR for nominal TSL parameters:* The measured TSL parameters are used to calculate the nominal SAR result.

Measurement Conditions

DASY system configuration, as far as not given on page 1.

| | | |
|-------------------------------------|---------------------------|-------------|
| DASY Version | DASY4 | V4.7 |
| Extrapolation | Advanced Extrapolation | |
| Phantom | Modular Flat Phantom V5.0 | |
| Distance Dipole Center - TSL | 10 mm | with Spacer |
| Zoom Scan Resolution | dx, dy, dz = 5 mm | |
| Frequency | 2450 MHz ± 1 MHz | |

Head TSL parameters

The following parameters and calculations were applied.

| | Temperature | Permittivity | Conductivity |
|---|-----------------|--------------|------------------|
| Nominal Head TSL parameters | 22.0 °C | 39.2 | 1.80 mho/m |
| Measured Head TSL parameters | (22.0 ± 0.2) °C | 39.4 ± 6 % | 1.84 mho/m ± 6 % |
| Head TSL temperature during test | (21.1 ± 0.2) °C | ---- | ---- |

SAR result with Head TSL

| SAR averaged over 1 cm³ (1 g) of Head TSL | Condition | |
|---|--------------------|-----------------------------------|
| SAR measured | 250 mW input power | 14.0 mW / g |
| SAR normalized | normalized to 1W | 56.0 mW / g |
| SAR for nominal Head TSL parameters ¹ | normalized to 1W | 55.6 mW / g ± 17.0 % (k=2) |

| SAR averaged over 10 cm³ (10 g) of Head TSL | condition | |
|---|--------------------|-----------------------------------|
| SAR measured | 250 mW input power | 6.46 mW / g |
| SAR normalized | normalized to 1W | 25.8 mW / g |
| SAR for nominal Head TSL parameters ¹ | normalized to 1W | 25.8 mW / g ± 16.5 % (k=2) |

¹ Correction to nominal TSL parameters according to d), chapter "SAR Sensitivities"

Body TSL parameters

The following parameters and calculations were applied.

| | Temperature | Permittivity | Conductivity |
|---|-----------------|--------------|------------------|
| Nominal Body TSL parameters | 22.0 °C | 52.7 | 1.95 mho/m |
| Measured Body TSL parameters | (22.0 ± 0.2) °C | 50.9 ± 6 % | 1.98 mho/m ± 6 % |
| Body TSL temperature during test | (22.0 ± 0.2) °C | ---- | ---- |

SAR result with Body TSL

| SAR averaged over 1 cm³ (1 g) of Body TSL | Condition | |
|---|--------------------|-----------------------------------|
| SAR measured | 250 mW input power | 12.8 mW / g |
| SAR normalized | normalized to 1W | 51.2 mW / g |
| SAR for nominal Body TSL parameters ² | normalized to 1W | 49.9 mW / g ± 17.0 % (k=2) |

| SAR averaged over 10 cm³ (10 g) of Body TSL | condition | |
|---|--------------------|-----------------------------------|
| SAR measured | 250 mW input power | 5.97 mW / g |
| SAR normalized | normalized to 1W | 23.9 mW / g |
| SAR for nominal Body TSL parameters ² | normalized to 1W | 23.5 mW / g ± 16.5 % (k=2) |

² Correction to nominal TSL parameters according to d), chapter "SAR Sensitivities"

Appendix

Antenna Parameters with Head TSL

| | |
|--------------------------------------|-----------------------------|
| Impedance, transformed to feed point | $52.5 \Omega + 5.4 j\Omega$ |
| Return Loss | - 24.8 dB |

Antenna Parameters with Body TSL

| | |
|--------------------------------------|-----------------------------|
| Impedance, transformed to feed point | $49.2 \Omega + 5.5 j\Omega$ |
| Return Loss | - 25.0 dB |

General Antenna Parameters and Design

| | |
|----------------------------------|----------|
| Electrical Delay (one direction) | 1.162 ns |
|----------------------------------|----------|

After long term use with 100W radiated power, only a slight warming of the dipole near the feedpoint can be measured.

The dipole is made of standard semirigid coaxial cable. The center conductor of the feeding line is directly connected to the second arm of the dipole. The antenna is therefore short-circuited for DC-signals.

No excessive force must be applied to the dipole arms, because they might bend or the soldered connections near the feedpoint may be damaged.

Additional EUT Data

| | |
|-----------------|-----------------|
| Manufactured by | SPEAG |
| Manufactured on | August 26, 2003 |

DASY4 Validation Report for Head TSL

Date/Time: 22.04.2008 15:20:29

Test Laboratory: SPEAG, Zurich, Switzerland

DUT: Dipole 2450 MHz; Type: D2450V2; Serial: D2450V2 - SN737

Communication System: CW-2450; Frequency: 2450 MHz; Duty Cycle: 1:1

Medium: HSL U10 BB;

Medium parameters used: $f = 2450$ MHz; $\sigma = 1.83$ mho/m; $\epsilon_r = 39.5$; $\rho = 1000$ kg/m³

Phantom section: Flat Section

Measurement Standard: DASY4 (High Precision Assessment)

DASY4 Configuration:

- Probe: ES3DV2 - SN3025; ConvF(4.4, 4.4, 4.4); Calibrated: 01.03.2008
- Sensor-Surface: 3.4mm (Mechanical Surface Detection)
- Electronics: DAE4 Sn601; Calibrated: 14.03.2008
- Phantom: Flat Phantom 5.0 (front); Type: QD000P50AA; ;
- Measurement SW: DASY4, V4.7 Build 55; Postprocessing SW: SEMCAD, V1.8 Build 172

Pin = 250 mW; d = 10 mm/Zoom Scan (7x7x7)/Cube 0:

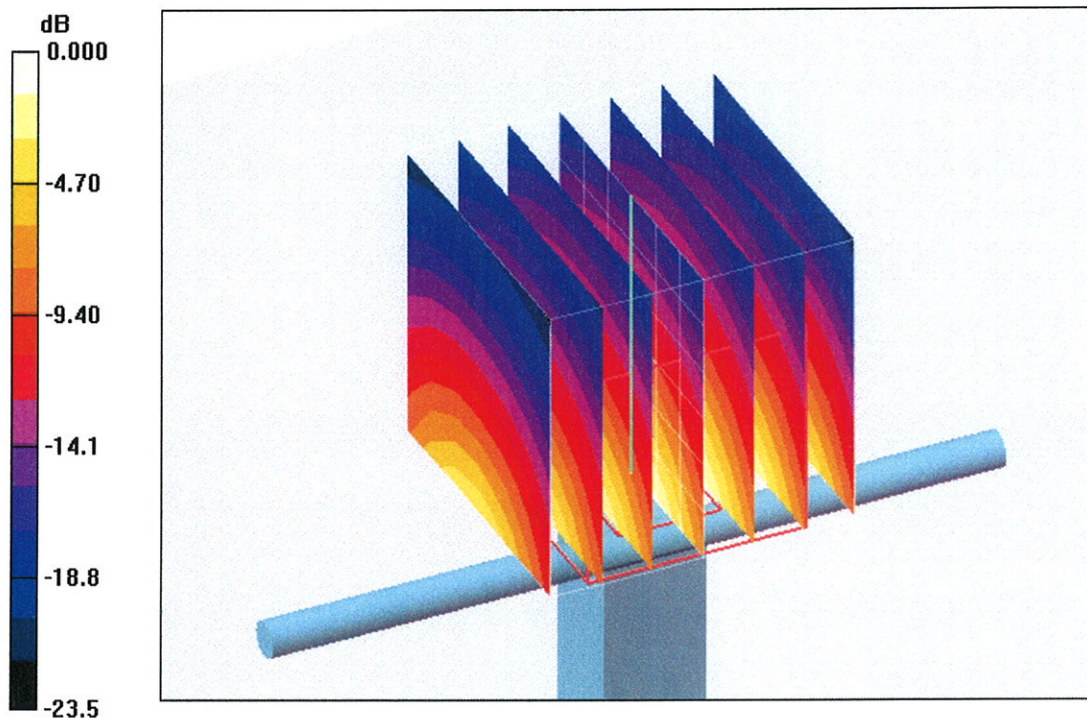
Measurement grid: dx=5mm, dy=5mm, dz=5mm

Reference Value = 98.6 V/m; Power Drift = 0.043 dB

Peak SAR (extrapolated) = 28.8 W/kg

SAR(1 g) = 14 mW/g; SAR(10 g) = 6.46 mW/g

Maximum value of SAR (measured) = 16.9 mW/g



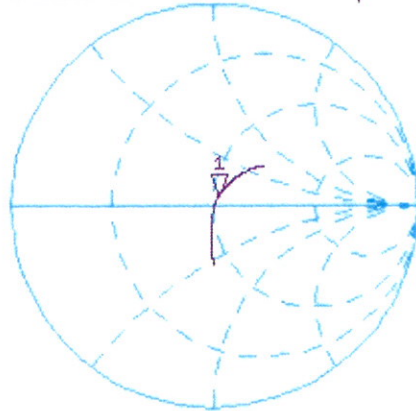
0 dB = 16.9mW/g

Impedance Measurement Plot for Head TSL

22 Apr 2008 14:28:37

CH1 S11 1 U FS 1: 52.467 Ω 5.3535 Ω 347.77 pF 2 450.000 000 MHz

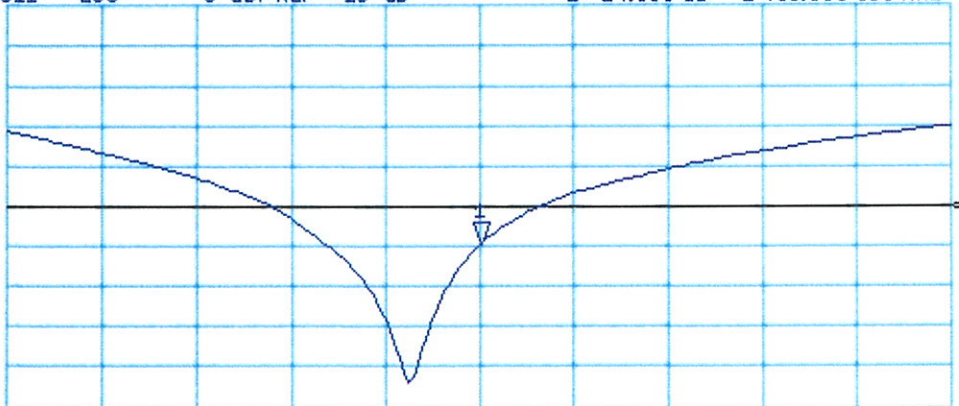
*
Del
Cor



Avg
16
↑

CH2 S11 LOG 5 dB/REF -20 dB 1:-24.808 dB 2 450.000 000 MHz

Cor
Avg
16
↑



CENTER 2 450.000 000 MHz SPAN 400.000 000 MHz

DASY4 Validation Report for Body TSL

Date/Time: 14.04.2008 11:47:59

Test Laboratory: SPEAG, Zurich, Switzerland

DUT: Dipole 2450 MHz; Type: D2450V2; Serial: D2450V2 - SN737

Communication System: CW-2450; Frequency: 2450 MHz; Duty Cycle: 1:1

Medium: MSL U10;

Medium parameters used: $f = 2450$ MHz; $\sigma = 1.98$ mho/m; $\epsilon_r = 50.9$; $\rho = 1000$ kg/m³

Phantom section: Flat Section

Measurement Standard: DASY4 (High Precision Assessment)

DASY4 Configuration:

- Probe: ES3DV2 - SN3025; ConvF(4.07, 4.07, 4.07); Calibrated: 01.03.2008
- Sensor-Surface: 3.4mm (Mechanical Surface Detection)
- Electronics: DAE4 Sn601; Calibrated: 14.03.2008
- Phantom: Flat Phantom 4.9L; Type: QD000P49AA; ;
- Measurement SW: DASY4, V4.7 Build 55; Postprocessing SW: SEMCAD, V1.8 Build 172

Pin = 250 mW; d = 10 mm/Zoom Scan (7x7x7)/Cube 0:

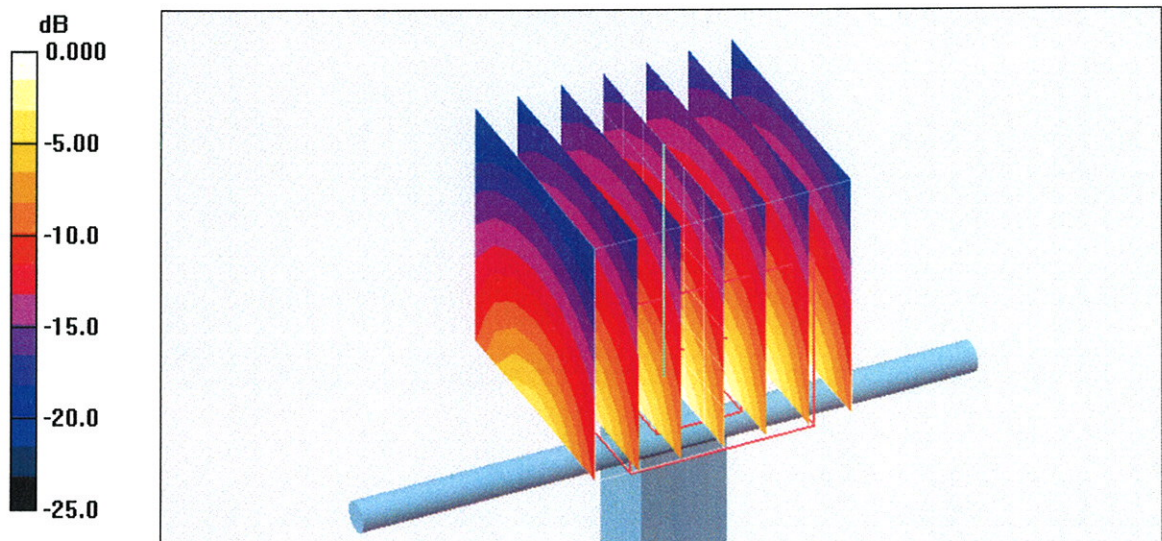
Measurement grid: dx=5mm, dy=5mm, dz=5mm

Reference Value = 92.2 V/m; Power Drift = 0.027 dB

Peak SAR (extrapolated) = 25.5 W/kg

SAR(1 g) = 12.8 mW/g; SAR(10 g) = 5.97 mW/g

Maximum value of SAR (measured) = 15.6 mW/g



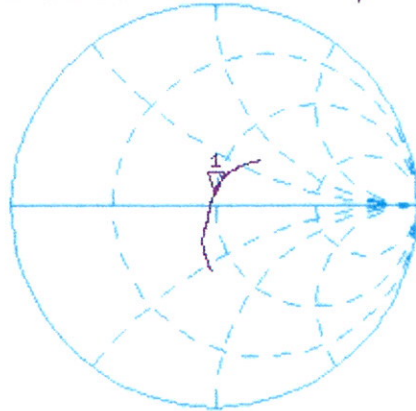
0 dB = 15.6mW/g

Impedance Measurement Plot for Body TSL

14 Apr 2008 10:59:29

CH1 S11 1 U FS 1: 49.240 Ω 5.5078 Ω 357.79 pF 2 450.000 000 MHz

*
De1
CA



Avg
16
↑

CH2 S11 LOG 5 dB/REF -20 dB 1:-25.047 dB 2 450.000 000 MHz

CA
Avg
16
↑



CENTER 2 450.000 000 MHz

SPAN 400.000 000 MHz