

**System Check\_B2450\_0110**

**DUT: Dipole 2450 MHz D2450V2;SN:919;**

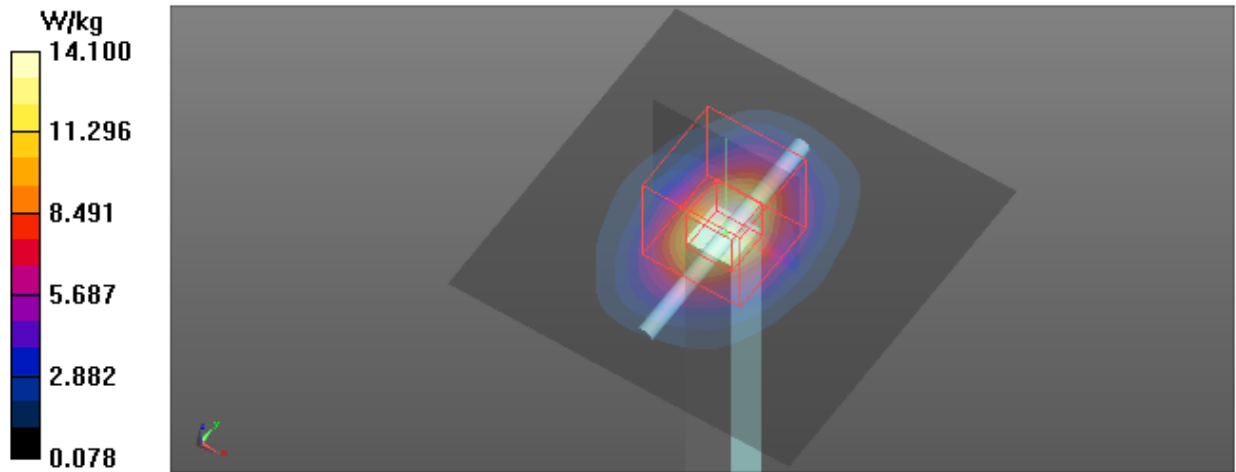
Communication System: UID 0, CW (0); Frequency: 2450 MHz; Duty Cycle: 1:1  
Medium parameters used:  $f = 2450$  MHz;  $\sigma = 1.984$  S/m;  $\epsilon_r = 53.392$ ;  $\rho = 1000$  kg/m<sup>3</sup>  
Ambient Temperature : 23.2 °C; Liquid Temperature : 22.3 °C

DASY Configuration:

- Probe: EX3DV4 - SN7396; ConvF(7.7, 7.7, 7.7) @ 2450 MHz; Calibrated: 2018-05-29
- Sensor-Surface: 4mm (Mechanical Surface Detection),  $z = 1.0, 31.0$
- Electronics: DAE3 Sn420; Calibrated: 2018-03-22
- Phantom: ELI v5.0; Type: QDOVA002AA; Serial: TP:1222
- DASY52 52.10.2(1495); SEMCAD X 14.6.12(7450)

**Area Scan (7x7x1):** Interpolated grid:  $dx=12$  mm,  $dy=12$  mm  
Maximum value of SAR (interpolated) = 15.5 W/kg

**Zoom Scan (7x7x7)/Cube 0:** Measurement grid:  $dx=5$ mm,  $dy=5$ mm,  $dz=5$ mm  
Reference Value = 99.54 V/m; Power Drift = 0.01 dB  
Peak SAR (extrapolated) = 24.6 W/kg  
**SAR(1 g) = 12.3 W/kg; SAR(10 g) = 5.72 W/kg**  
Maximum value of SAR (measured) = 14.1 W/kg



**System Check\_B5300\_0220**

**DUT: Dipole D5GHzV2;SN;1160;**

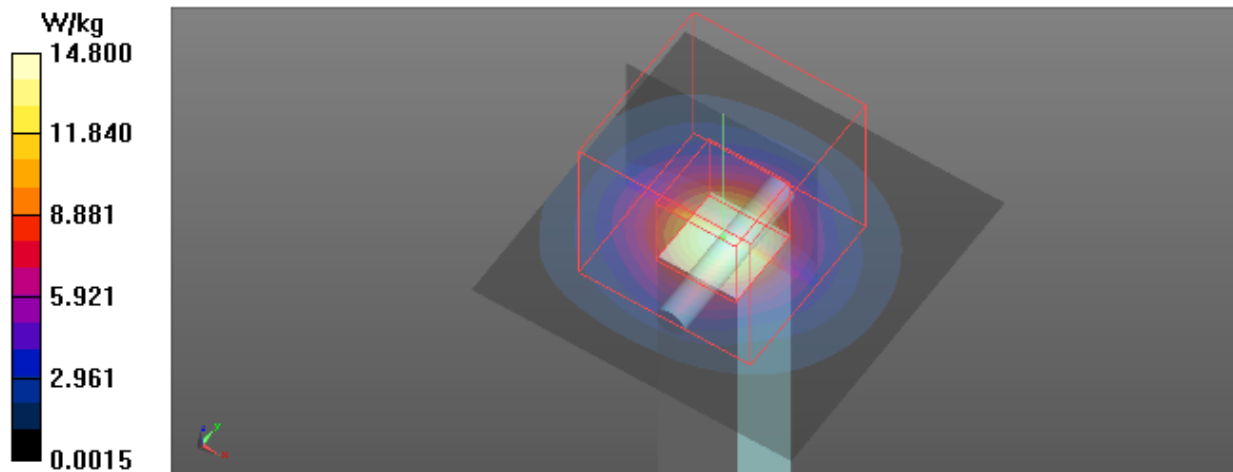
Communication System: UID 0, CW (0); Frequency: 5300 MHz; Duty Cycle: 1:1  
Medium parameters used:  $f = 5300$  MHz;  $\sigma = 5.497$  S/m;  $\epsilon_r = 47.508$ ;  $\rho = 1000$  kg/m<sup>3</sup>  
Ambient Temperature : 23.3 °C; Liquid Temperature : 22.4 °C

DASY Configuration:

- Probe: EX3DV4 - SN7396; ConvF(5.05, 5.05, 5.05) @ 5300 MHz; Calibrated: 2018-05-29
- Sensor-Surface: 2mm (Mechanical Surface Detection),  $z = 1.0, 23.0$
- Electronics: DAE3 Sn420; Calibrated: 2018-03-22
- Phantom: ELI v5.0; Type: QDOVA002AA; Serial: TP:1222
- DASY52 52.10.2(1495); SEMCAD X 14.6.12(7450)

**Area Scan (5x5x1):** Interpolated grid:  $dx=10$  mm,  $dy=10$  mm  
Maximum value of SAR (interpolated) = 14.4 W/kg

**Zoom Scan (7x7x12)/Cube 0:** Measurement grid:  $dx=4$ mm,  $dy=4$ mm,  $dz=2$ mm  
Reference Value = 36.34 V/m; Power Drift = -0.05 dB  
Peak SAR (extrapolated) = 31.4 W/kg  
**SAR(1 g) = 6.92 W/kg; SAR(10 g) = 1.95 W/kg**  
Maximum value of SAR (measured) = 14.8 W/kg



**System Check\_B5500\_0213**

**DUT: Dipole D5GHzV2;SN;1160;**

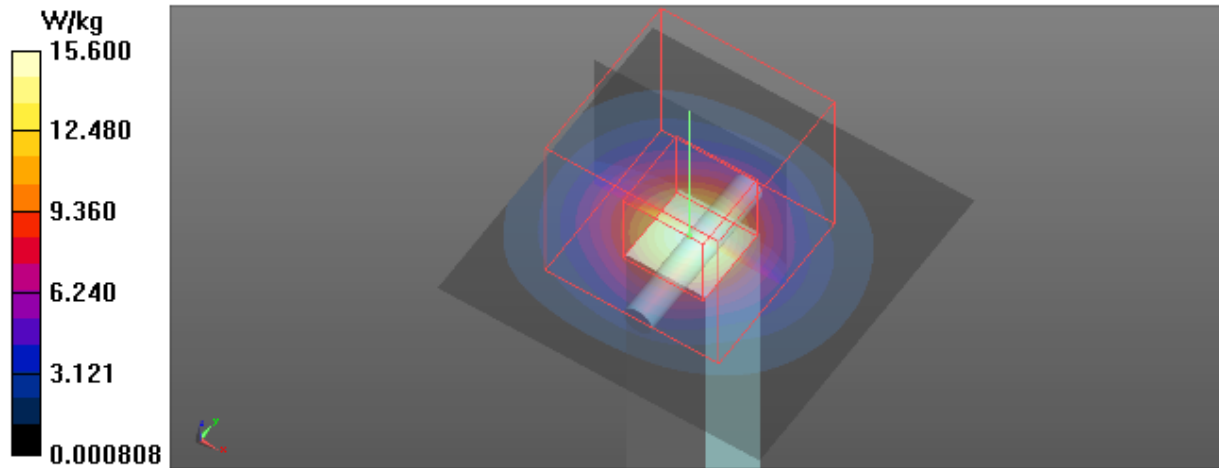
Communication System: UID 0, CW (0); Frequency: 5500 MHz; Duty Cycle: 1:1  
Medium parameters used:  $f = 5500$  MHz;  $\sigma = 5.783$  S/m;  $\epsilon_r = 47.147$ ;  $\rho = 1000$  kg/m<sup>3</sup>  
Ambient Temperature : 23.2 °C; Liquid Temperature : 22.5 °C

DASY Configuration:

- Probe: EX3DV4 - SN7396; ConvF(4.38, 4.38, 4.38) @ 5500 MHz; Calibrated: 2018-05-29
- Sensor-Surface: 2mm (Mechanical Surface Detection),  $z = 1.0, 23.0$
- Electronics: DAE3 Sn420; Calibrated: 2018-03-22
- Phantom: ELI v5.0; Type: QDOVA002AA; Serial: TP:1222
- DASY52 52.10.2(1495); SEMCAD X 14.6.12(7450)

**Area Scan (5x5x1):** Interpolated grid:  $dx=10$  mm,  $dy=10$  mm  
Maximum value of SAR (interpolated) = 15.3 W/kg

**Zoom Scan (7x7x12)/Cube 0:** Measurement grid:  $dx=4$ mm,  $dy=4$ mm,  $dz=2$ mm  
Reference Value = 35.95 V/m; Power Drift = 0.01 dB  
Peak SAR (extrapolated) = 33.9 W/kg  
**SAR(1 g) = 7.32 W/kg; SAR(10 g) = 2.07 W/kg**  
Maximum value of SAR (measured) = 15.6 W/kg



**System Check\_B5600\_0213**

**DUT: Dipole D5GHzV2;SN;1160;**

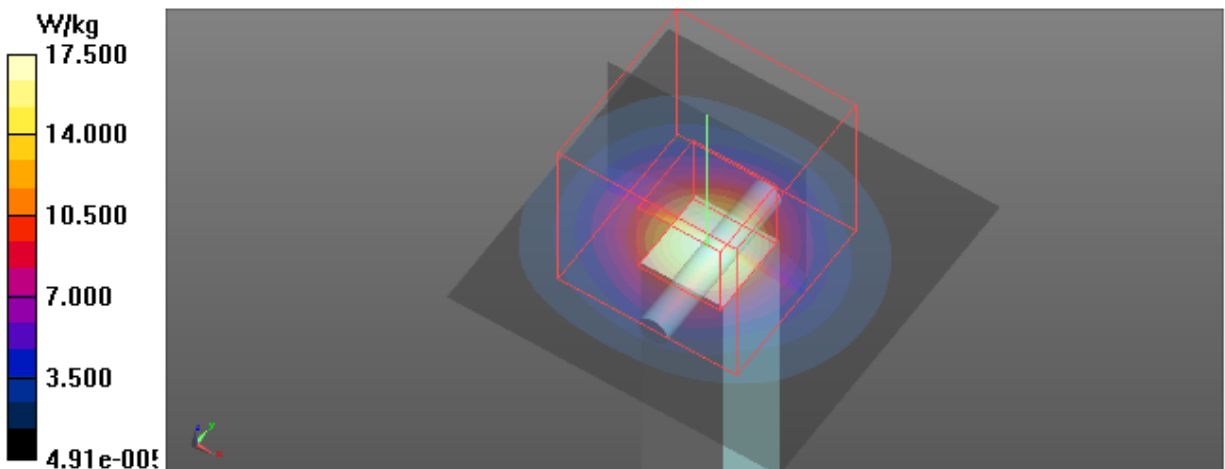
Communication System: UID 0, CW (0); Frequency: 5600 MHz; Duty Cycle: 1:1  
Medium parameters used:  $f = 5600$  MHz;  $\sigma = 5.931$  S/m;  $\epsilon_r = 46.959$ ;  $\rho = 1000$  kg/m<sup>3</sup>  
Ambient Temperature : 23.2 °C; Liquid Temperature : 22.5 °C

DASY Configuration:

- Probe: EX3DV4 - SN7396; ConvF(4.38, 4.38, 4.38) @ 5600 MHz; Calibrated: 2018-05-29
- Sensor-Surface: 2mm (Mechanical Surface Detection),  $z = 1.0, 23.0$
- Electronics: DAE3 Sn420; Calibrated: 2018-03-22
- Phantom: ELI v5.0; Type: QDOVA002AA; Serial: TP:1222
- DASY52 52.10.2(1495); SEMCAD X 14.6.12(7450)

**Area Scan (5x5x1):** Interpolated grid:  $dx=10$  mm,  $dy=10$  mm  
Maximum value of SAR (interpolated) = 17.0 W/kg

**Zoom Scan (7x7x12)/Cube 0:** Measurement grid:  $dx=4$ mm,  $dy=4$ mm,  $dz=2$ mm  
Reference Value = 37.03 V/m; Power Drift = -0.06 dB  
Peak SAR (extrapolated) = 38.5 W/kg  
**SAR(1 g) = 8.11 W/kg; SAR(10 g) = 2.27 W/kg**  
Maximum value of SAR (measured) = 17.5 W/kg



**System Check\_B5800\_0213**

**DUT: Dipole D5GHzV2;SN;1160;**

Communication System: UID 0, CW (0); Frequency: 5800 MHz; Duty Cycle: 1:1  
Medium parameters used:  $f = 5800$  MHz;  $\sigma = 6.222$  S/m;  $\epsilon_r = 46.576$ ;  $\rho = 1000$  kg/m<sup>3</sup>  
Ambient Temperature : 23.2 °C; Liquid Temperature : 22.5 °C

DASY Configuration:

- Probe: EX3DV4 - SN7396; ConvF(4.5, 4.5, 4.5) @ 5800 MHz; Calibrated: 2018-05-29
- Sensor-Surface: 2mm (Mechanical Surface Detection),  $z = 1.0, 23.0$
- Electronics: DAE3 Sn420; Calibrated: 2018-03-22
- Phantom: ELI v5.0; Type: QDOVA002AA; Serial: TP:1222
- DASY52 52.10.2(1495); SEMCAD X 14.6.12(7450)

**Area Scan (6x6x1):** Interpolated grid:  $dx=10$  mm,  $dy=10$  mm  
Maximum value of SAR (interpolated) = 20.5 W/kg

**Zoom Scan (7x7x12)/Cube 0:** Measurement grid:  $dx=4$ mm,  $dy=4$ mm,  $dz=2$ mm  
Reference Value = 35.28 V/m; Power Drift = -0.03 dB  
Peak SAR (extrapolated) = 36.1 W/kg  
**SAR(1 g) = 7.55 W/kg; SAR(10 g) = 2.14 W/kg**  
Maximum value of SAR (measured) = 16.2 W/kg

