

S

T

S

L

A

B



RADIO TEST REPORT

Report No:STS1901282W02

Issued for

TP-Link Technologies Co., Ltd.

Building 24 (floors 1,3,4,5) and 28 (floors1-4) Central
Science and Technology Park, Nanshan, Shenzhen, China

Product Name:	C7 Lite FDD-LTE Smartphone
Brand Name:	neffos
Model Name:	TP7041C
Series Model:	TP7041CXYZZ
FCC ID:	TE7C7LITEV1
Test Standard:	47 CFR Part 2, 24(E), 27



Any reproduction of this document must be done in full. No single part of this document may be reproduced without permission from STS, All Test Data Presented in this report is only applicable to presented Test sample.



TEST RESULT CERTIFICATION

Applicant's name: TP-Link Technologies Co., Ltd.
Address: Building 24 (floors 1,3,4,5) and 28 (floors1-4) Central Science and Technology Park, Nanshan, Shenzhen, China
Manufacture's Name: TP-Link Technologies Co., Ltd.
Address: Building 24 (floors 1,3,4,5) and 28 (floors1-4) Central Science and Technology Park, Nanshan, Shenzhen, China
Product description
Product Name.....: C7 Lite FDD-LTE Smartphone
Brand Name: neffos
Model Name: TP7041C
Series Model.....: TP7041CXYZZ
Test Standards.....: 47 CFR Part 2, 24(E), 27
Test procedure.....: KDB 971168 D01 v03r01 , ANSI C63.26 2015

This device described above has been tested by STS and the test results show that the equipment under test (EUT) is in compliance with the FCC requirements. And it is applicable only to the tested sample identified in the report.

This report shall not be reproduced except in full, without the written approval of STS, this document only be altered or revised by STS, personal only, and shall be noted in the revision of the document.

Date of Test:
Date of performance of tests: 28 Jan. 2019 ~ 15 Mar. 2019
Date of Issue.....: 16 Mar. 2019
Test Result.....: Pass

Testing Engineer : [Signature]
(Chris chen)
Technical Manager : [Signature]
(Sunday Hu)
Authorized Signatory : [Signature]
(Vita Li)





TABLE OF CONTENTS	Page
1. TEST FACTORY & MEASUREMENT UNCERTAINTY	5
2. GENERAL INFORMATION	6
3. CONDUCTED OUTPUT POWER	14
4. PEAK-TO-AVERAGE RATIO	23
5. RADIATED POWER AND EFFECTIVE ISOTROPIC RADIATED POWER	25
6. OCCUPIED BANDWIDTH	36
7. CONDUCTED BAND EDGE	39
8. CONDUCTED SPURIOUS EMISSION	41
9. RADIATED SPURIOUS EMISSION	42
10. FREQUENCY STABILITY	60
PHOTOS OF TEST SETUP	64





Revision History

Rev.	Issue Date	Report NO.	Effect Page	Contents
00	16 Mar. 2019	STS1901282W02	ALL	Initial Issue





1. TEST FACTORY & MEASUREMENT UNCERTAINTY

1.1 TEST FACTORY

Shenzhen STS Test Services Co., Ltd.

Add. : 1/F., Building B, Zhuoke Science Park, No.190, Chongqing Road, Fuyong Street, Bao'an District, Shenzhen, Guangdong, China

FCC Registration No.: 625569

IC Registration No.: 12108A; A2LA Certificate No.: 4338.01;

1.2 MEASUREMENT UNCERTAINTY

The reported uncertainty of measurement $y \pm U$ · where expanded uncertainty U is based on a standard uncertainty multiplied by a coverage factor of $k=2$ · providing a level of confidence of approximately **95 %** ·

No.	Item	Uncertainty
1	RF output power,conducted	±0.71dB
2	Unwanted Emissions,conducted	±0.63dB
3	All emissions,radiated 30-200MHz	±3.43dB
4	All emissions,radiated 200MHz-1GHz	±3.57dB
5	All emissions,radiated>1G	±4.13dB
6	Conducted Emission(9KHz-150KHz)	±3.18dB
7	Conducted Emission(150KHz-30MHz)	±2.70dB



2. GENERAL INFORMATION

2.1 TECHNICAL SPECIFICATIONS AND REGULATIONS

2.1.1 PRODUCT DESCRIPTION

A major technical description of EUT is described as following:

Product Name:	C7 Lite FDD-LTE Smartphone
Trade Name	neffos
Model Name	TP7041C
Series Model	TP7041CXYZZ
Model Difference	X=2, indicates Grey; X=4, indicates Gold, X=7, indicates Blue; X=8, indicates Red. Y=2, indicates the memory is 1GB RAM + 16GB Flash. Z='A' to 'Z', ZZ indicates different regions or customers. All models are same with electrical parameters and internal circuit structure.
Frequency Bands:	U.S. Bands: <input checked="" type="checkbox"/> LTE FDD Band 2 <input checked="" type="checkbox"/> LTE FDD Band 4 <input type="checkbox"/> LTE FDD Band 5 <input checked="" type="checkbox"/> LTE FDD Band 7 <input type="checkbox"/> LTE FDD Band 12 <input type="checkbox"/> LTE FDD Band 13 <input type="checkbox"/> LTE FDD Band 17 <input type="checkbox"/> LTE TDD Band 25 <input type="checkbox"/> LTE FDD Band 26 <input type="checkbox"/> LTE TDD Band 41
SIM CARD:	SIM 1 and SIM 2 is a chipset unit and tested as single chipset, SIM 1 is used to tested
Antenna:	PIFA Antenna
Antenna gain:	LTE Band 2: -0.5dBi LTE Band 4: -1.5dBi LTE Band 7: -1.5dBi
Power Supply:	DC 3.8V by battery
Battery parameter:	Capacity: 2150mAh, Rated Voltage: 3.8V
Adapter:	Input: AC 100-240V, 200mA, 50/60Hz Output: DC 5V, 1000mA
Extreme Vol. Limits:	DC 3.3 V to 4.35 V (Nominal DC 3.8V)
Extreme Temp. Tolerance:	-30°C to +50°C
Hardware version number:	V01A
Software version number:	V01_20190115



2.1.2 PRODUCT SPECIFICATION SUBJECTIVE TO THIS STANDARD

Product Specification Subjective To This Standard	
Tx Frequency	LTE Band 2:1850~1910MHz LTE Band 4:1710~1755MHz LTE Band 7:2500~2570MHz
Rx Frequency	LTE Band 2:1930~1990MHz LTE Band 4:2110~2155MHz LTE Band 7:2620~2690MHz
Bandwidth	LTE Band 2 : 1.4MHz / 3MHz / 5MHz / 10MHz / 15MHz / 20MHz LTE Band 4 : 1.4MHz / 3MHz / 5MHz / 10MHz / 15MHz / 20MHz LTE Band 7 : 5MHz / 10MHz / 15MHz / 20MHz
Maximum Output Power Limit	LTE Band 2 : 21.92 dBm LTE Band 4 : 22.51 dBm LTE Band 7 : 21.63 dBm
Type of Modulation	QPSK / 16QAM





2.1.3 EMISSION DESIGNATOR

LTE Band 2 BW(MHz)	Emission Designator (26dBc)QPSK	Emission Designator (26dBc)16QAM
1.4	1M31G7D	1M30W7D
3	2M87G7D	2M86W7D
5	5M19G7D	5M18W7D
10	9M85G7D	9M79W7D
15	15M1G7D	15M0W7D
20	19M8G7D	19M5W7D

LTE Band 4 BW(MHz)	Emission Designator (26dBc)QPSK	Emission Designator (26dBc)16QAM
1.4	1M31G7D	1M31W7D
3	2M87G7D	2M86W7D
5	5M61G7D	5M29W7D
10	9M83G7D	9M82W7D
15	15M2G7D	15M0W7D
20	19M5G7D	19M6W7D

LTE Band 7 BW(MHz)	Emission Designator (26dBc)QPSK	Emission Designator (26dBc)16QAM
5	5M21G7D	5M23W7D
10	9M96G7D	9M79W7D
15	15M8G7D	15M1W7D
20	19M7G7D	19M6W7D



2.1.4 TEST CONFIGURATION OF EQUIPMENT UNDER TEST

Antenna port conducted and radiated test items listed below are performed according to KDB 971168 D01 v03r01 and ANSI C63.26 2015 Power Meas. License Digital Systems with maximum output power. Radiated measurements are performed by rotating the EUT in three different orthogonal test planes to find the maximum emission.

Remark:

1. The mark “v “ means that this configuration is chosen for testing
2. The mark “-“ means that this bandwidth is not supported.
3. The device is investigated from 30MHz to 10 times of fundamental signal for radiated

ITEMS	Band	Bandwidth (MHz)						Modulation		RB #			Test Channel		
		1.4	3	5	10	15	20	QPSK	16QAM	1	Half	Full	L	M	H
Max. Output Power	2	v	v	v	v	v	v	v	v	v	v	v	v	v	v
	4	v	v	v	v	v	v	v	v	v	v	v	v	v	v
	7			v	v	v	v	v	v	v	v	v	v	v	v
Peak&Avera Ratio	2						v	v	v	v		v	v	v	v
	4						v	v	v	v		v	v	v	v
	7						v	v	v	v		v	v	v	v
26dB&99% Bandwidth	2	v	v	v	v	v	v	v	v			v	v	v	v
	4	v	v	v	v	v	v	v	v			v	v	v	v
	7			v	v	v	v	v	v			v	v	v	v
Conducted Band Edge	2	v	v	v	v	v	v	v	v	v		v	v	v	v
	4	v	v	v	v	v	v	v	v	v		v	v	v	v
	7			v	v	v	v	v	v	v		v	v	v	v
Conducted Spurious Emission	2	v	v	v	v	v	v	v	v	v			v	v	v
	4	v	v	v	v	v	v	v	v	v			v	v	v
	7			v	v	v	v	v	v	v			v	v	v
Frequency Stability	2				v			v				v		v	
	4				v			v				v		v	
	7				v			v				v		v	
E.R.P.& E.I.R.P.	2	v	v	v	v	v	v	v	v	v			v	v	v
	4	v	v	v	v	v	v	v	v	v			v	v	v
	7			v	v	v	v	v	v	v			v	v	v
Radiated Spurious Emission	2	v	v	v	v	v	v	v		v			v	v	v
	4	v	v	v	v	v	v	v		v			v	v	v
	7			v	v	v	v	v		v			v	v	v



2.1.5 RELATED SUBMITTAL(S) / GRANT (S)

This submittal(s) (test report) is intended for filing to comply with the 47 CFR Part 2, 24(E), 27

2.1.6 SPECIAL ACCESSORIES

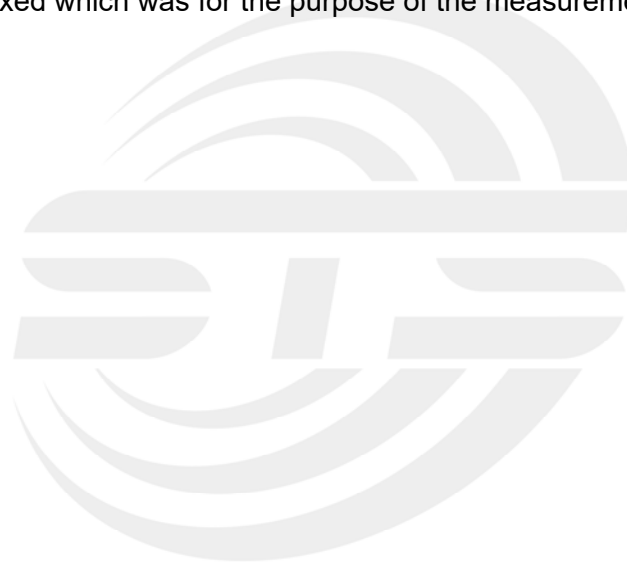
The battery and the charger, earphone supplied by the applicant were used as accessories and being tested with eut intended for fcc grant together.

2.1.7 EUT CONFIGURATION

The EUT configuration for testing is installed on RF field strength measurement to meet the Commission's requirement and operating in a manner which intends to maximize its emission characteristics in a continuous normal application.

2.1.8 EUT EXERCISE

The Transmitter was operated in the maximum output power mode through Communication Tester. The TX frequency was fixed which was for the purpose of the measurements.





2.1.9 CONFIGURATION OF EUT SYSTEM

The EUT configuration for testing is installed on RF field strength measurement to meet the Commission's requirement and operating in a manner which intends to maximize its emission characteristics in a continuous normal application.

E-1 EUT

Table 2-1 Equipment Used in EUT System

Item	Equipment	Model No.	Serial No.	Note
N/A	N/A	N/A	N/A	N/A

Note:

- (1) The support equipment was authorized by Declaration of Confirmation.
- (2) For detachable type I/O cable should be specified the length in cm in 『Length』 column.



2.1.10 MEASUREMENT INSTRUMENTS

The radiated emission testing was performed according to the procedures of ANSI C63.26 2015 and FCC CFR 47 rules of 2.1046, 2.1047, 2.1049, 2.1051, 2.1053, 2.1055, 2.1057.

Radiation Test equipment

Kind of Equipment	Manufacturer	Type No.	Serial No.	Last calibration	Calibrated until
Test Receiver	R&S	ESCI	101427	2018.10.13	2019.10.12
Signal Analyzer	Agilent	N9020A	MY51110105	2019.03.02	2020.03.01
Wireless Communications Test Set	R&S	CMW 500	133884	2019.03.02	2020.03.01
Bilog Antenna	TESEQ	CBL6111D	34678	2017.11.02	2020.11.1
Horn Antenna	SCHWARZBECK	BBHA 9120D(1201)	9120D-1343	2018.10.19	2021.10.18
SHF-EHF Horn Antenna (18G-40GHz)	A-INFO	LB-180400-KF	J211020657	2018.03.11	2021.03.10
Pre-Amplifier(0.1M-3GHz)	EM	EM330	060665	2018.10.13	2019.10.12
Pre-Amplifier (1G-18GHz)	SKET	LNPA-01018G-45	SK2018080901	2018.10.13	2019.10.12
turn table	EM	SC100_1	60531	N/A	N/A
Antenna mast	EM	SC100	N/A	N/A	N/A
Temperature & Humidity	HH660	Mieo	N/A	2018.10.11	2019.10.10

RF Connected Test

Kind of Equipment	Manufacturer	Type No.	Serial No.	Last calibration	Calibrated until
Universal Radio communication tester	R&S	CMU200	11764	2018.10.13	2019.10.12
Wireless Communications Test Set	R&S	CMW 500	133884	2018.03.11	2019.03.10
Signal Analyzer	Agilent	N9020A	MY49100060	2018.10.13	2019.10.12
Temperature & Humidity	HH660	Mieo	N/A	2018.10.11	2019.10.10



2. 1.11 MEASUREMENT RESULTS EXPLANATION EXAMPLE

For all conducted test items:

The offset level is set in the spectrum analyzer to compensate the RF cable loss and attenuator factor between EUT conducted output port and spectrum analyzer. With the offset compensation, the spectrum analyzer reading level is exactly the EUT RF output level.

The spectrum analyzer offset is derived from RF cable loss and attenuator factor.

Offset = RF Cable Loss + Attenuator Factor.



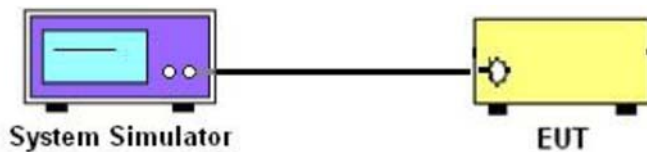
3. CONDUCTED OUTPUT POWER

3.1 DESCRIPTION OF THE CONDUCTED OUTPUT POWER MEASUREMENT

3.1.1 MEASUREMENT METHOD

A System Simulator Was Used To Establish Communication With The EUT. Its Parameters Were Set To Force The EUT Transmitting At Maximum Output Power. The Measured Power In The Radio Frequency On The Transmitter Output Terminals Shall Be Reported.
configuration follows KDB 971168 D01 v03r01.

3.1.2 TEST SETUP



3.1.3 TEST PROCEDURES

1. The Transmitter Output Port Was Connected To The System Simulator.
2. Set EUT at maximum power through the system simulator.
3. Select lowest, middle, and highest channels for each band and different modulation.
4. Measure and record the power level from the system simulator.



3.1.4 TEST RESULTS

LTE BAND 2

LTE Band 2 Maximum Average Power [dBm]						
BW [MHz]	RB Size	RB Offset	Mod	Lowest	Middle	Highest
1.4	1	0	QPSK	21.44	21.56	21.85
1.4	1	2		21.19	21.32	21.56
1.4	1	5		20.9	21.02	21.27
1.4	3	0		20.62	20.82	21.01
1.4	3	1		20.34	20.53	20.77
1.4	3	2		20.11	20.3	20.57
1.4	6	0		19.9	20.03	20.35
1.4	1	0	16-QAM	21.2	21.36	21.56
1.4	1	2		20.94	21.1	21.29
1.4	1	5		20.67	20.88	21.07
1.4	3	0		20.38	20.61	20.8
1.4	3	1		20.12	20.39	20.57
1.4	3	2		19.83	20.17	20.28
1.4	6	0		19.61	19.91	20.04
3	1	0	QPSK	21.45	21.54	21.92
3	1	7		21.18	21.24	21.69
3	1	14		20.94	20.97	21.43
3	8	0		20.73	20.72	21.22
3	8	4		20.44	20.5	20.96
3	8	7		20.2	20.26	20.76
3	15	0		19.94	20.03	20.54
3	1	0	16-QAM	21.23	21.27	21.64
3	1	7		20.96	20.99	21.37
3	1	14		20.71	20.72	21.13
3	8	0		20.42	20.45	20.86
3	8	4		20.19	20.18	20.62
3	8	7		19.96	19.94	20.37
3	15	0		19.72	19.7	20.09



LTE BAND 2

LTE Band 2 Maximum Average Power [dBm]						
BW [MHz]	RB Size	RB Offset	Mod	Lowest	Middle	Highest
5	1	0	QPSK	21.35	21.33	21.52
5	1	12		21.14	21.04	21.26
5	1	24		20.85	20.75	21
5	12	0		20.59	20.53	20.76
5	12	6		20.29	20.32	20.54
5	12	11		20.04	20.08	20.25
5	25	0		19.75	19.84	20.04
5	1	0	16-QAM	21.05	21.06	21.25
5	1	12		20.84	20.84	21.02
5	1	24		20.56	20.56	20.82
5	12	0		20.28	20.3	20.54
5	12	6		20.02	20.03	20.27
5	12	11		19.81	19.82	20.05
5	25	0		19.56	19.62	19.79
10	1	0	QPSK	21.52	21.84	21.83
10	1	24		21.3	21.57	21.58
10	1	49		21.05	21.27	21.35
10	25	0		20.81	21	21.12
10	25	12		20.54	20.71	20.84
10	25	24		20.28	20.46	20.63
10	50	0		20.04	20.24	20.35
10	1	0	16-QAM	21.31	21.63	21.54
10	1	24		21.09	21.36	21.33
10	1	49		20.86	21.13	21.1
10	25	0		20.64	20.89	20.82
10	25	12		20.42	20.64	20.62
10	25	24		20.2	20.34	20.35
10	50	0		19.98	20.12	20.07



LTE BAND 2

LTE Band 2 Maximum Average Power [dBm]						
BW [MHz]	RB Size	RB Offset	Mod	Lowest	Middle	Highest
15	1	0	QPSK	21.56	21.85	21.86
15	1	37		21.35	21.55	21.65
15	1	74		21.08	21.32	21.38
15	36	0		20.79	21.03	21.13
15	36	18		20.52	20.73	20.83
15	36	39		20.29	20.49	20.62
15	75	0		20.04	20.21	20.37
15	1	0	16-QAM	21.34	21.56	21.66
15	1	38		21.13	21.32	21.43
15	1	75		20.92	21.04	21.14
15	36	0		20.7	20.77	20.84
15	36	18		20.48	20.49	20.6
15	36	39		20.19	20.22	20.39
15	75	0		19.96	19.98	20.14
20	1	0	QPSK	21.6	21.87	21.88
20	1	49		21.39	21.57	21.61
20	1	99		21.15	21.29	21.34
20	50	0		20.87	21.04	21.07
20	50	24		20.61	20.77	20.87
20	50	49		20.39	20.47	20.65
20	100	0		20.15	20.26	20.44
20	1	0	16-QAM	21.31	21.63	21.62
20	1	49		21.07	21.42	21.37
20	1	99		20.77	21.21	21.1
20	50	0		20.48	21	20.88
20	50	24		20.23	20.77	20.67
20	50	49		19.95	20.48	20.45
20	100	0		19.69	20.26	20.24



LTE BAND 4

LTE Band 4 Maximum Average Power [dBm]						
BW [MHz]	RB Size	RB Offset	Mod	Lowest	Middle	Highest
1.4	1	0	QPSK	22.37	22.41	22.37
1.4	1	2		22.09	22.16	22.16
1.4	1	5		21.82	21.91	21.93
1.4	3	0		21.55	21.71	21.69
1.4	3	1		21.3	21.43	21.41
1.4	3	2		21.06	21.14	21.16
1.4	6	0		20.78	20.85	20.95
1.4	1	0		16-QAM	22.15	22.14
1.4	1	2	21.92		21.92	21.83
1.4	1	5	21.65		21.64	21.54
1.4	3	0	21.37		21.4	21.29
1.4	3	1	21.09		21.16	21.08
1.4	3	2	20.85		20.95	20.82
1.4	6	0	20.62		20.7	20.61
3	1	0	QPSK		22.43	22.42
3	1	7		22.21	22.14	22.17
3	1	14		21.95	21.86	21.93
3	8	0		21.7	21.63	21.7
3	8	4		21.48	21.34	21.42
3	8	7		21.21	21.11	21.22
3	15	0		20.93	20.9	21.02
3	1	0		16-QAM	22.2	22.21
3	1	7	21.94		21.99	21.93
3	1	14	21.73		21.71	21.7
3	8	0	21.48		21.44	21.47
3	8	4	21.26		21.16	21.2
3	8	7	21.03		20.91	20.94
3	15	0	20.75		20.65	20.7



LTE BAND 4

LTE Band 4 Maximum Average Power [dBm]						
BW [MHz]	RB Size	RB Offset	Mod	Lowest	Middle	Highest
5	1	0	QPSK	22.24	22.2	22.16
5	1	12		22.03	21.96	21.91
5	1	24		21.82	21.73	21.69
5	12	0		21.55	21.5	21.43
5	12	6		21.28	21.23	21.15
5	12	11		21.02	20.96	20.91
5	25	0		20.79	20.75	20.63
5	1	0		16-QAM	21.95	21.96
5	1	12	21.75		21.68	21.66
5	1	24	21.46		21.46	21.38
5	12	0	21.22		21.19	21.15
5	12	6	20.98		20.92	20.94
5	12	11	20.78		20.68	20.71
5	25	0	20.55		20.47	20.47
10	1	0	QPSK		22.42	22.32
10	1	24		22.18	22.02	22.21
10	1	49		21.91	21.75	22
10	25	0		21.64	21.48	21.71
10	25	12		21.44	21.27	21.46
10	25	24		21.19	21	21.26
10	50	0		20.9	20.78	20.99
10	1	0		16-QAM	22.16	22.08
10	1	24	21.89		21.84	21.97
10	1	49	21.67		21.57	21.74
10	25	0	21.44		21.33	21.53
10	25	12	21.18		21.12	21.28
10	25	24	20.96		20.85	21.05
10	50	0	20.69		20.58	20.81



LTE BAND 4

LTE Band 4 Maximum Average Power [dBm]						
BW [MHz]	RB Size	RB Offset	Mod	Lowest	Middle	Highest
15	1	0	QPSK	22.45	22.46	22.48
15	1	37		22.17	22.17	22.24
15	1	74		21.91	21.91	22.03
15	36	0		21.7	21.64	21.75
15	36	18		21.43	21.42	21.55
15	36	39		21.17	21.18	21.27
15	75	0		20.94	20.95	21.02
15	1	0		16-QAM	22.23	22.21
15	1	38	22.01		21.96	21.99
15	1	75	21.81		21.72	21.79
15	36	0	21.54		21.49	21.56
15	36	18	21.31		21.28	21.33
15	36	39	21.08		21.02	21.09
15	75	0	20.82		20.72	20.86
20	1	0	QPSK		22.5	22.49
20	1	49		22.21	22.24	22.3
20	1	99		21.93	21.96	22.09
20	50	0		21.64	21.67	21.87
20	50	24		21.35	21.38	21.59
20	50	49		21.15	21.16	21.34
20	100	0		20.94	20.94	21.13
20	1	0		16-QAM	22.22	22.28
20	1	49	21.92		22.02	22.04
20	1	99	21.64		21.78	21.76
20	50	0	21.44		21.55	21.54
20	50	24	21.19		21.31	21.28
20	50	49	20.96		21.02	21.06
20	100	0	20.72		20.72	20.84



LTE BAND 7

LTE Band 7 Maximum Average Power [dBm]						
BW [MHz]	RB Size	RB Offset	Mod	Lowest	Middle	Highest
5	1	0	QPSK	21.47	21.43	21.39
5	1	12		21.2	21.19	21.17
5	1	24		20.96	20.94	20.95
5	12	0		20.67	20.64	20.73
5	12	6		20.45	20.37	20.44
5	12	11		20.23	20.1	20.17
5	25	0		19.94	19.86	19.97
5	1	0	16-QAM	21.22	21.14	21.17
5	1	12		20.94	20.89	20.88
5	1	24		20.72	20.68	20.6
5	12	0		20.48	20.4	20.31
5	12	6		20.2	20.16	20.02
5	12	11		19.91	19.93	19.76
5	25	0		19.69	19.67	19.52
10	1	0	QPSK	21.48	21.61	21.45
10	1	24		21.25	21.33	21.22
10	1	49		20.97	21.06	20.94
10	25	0		20.71	20.8	20.69
10	25	12		20.48	20.56	20.4
10	25	24		20.28	20.28	20.12
10	50	0		20	20.06	19.89
10	1	0	16-QAM	21.23	21.41	21.22
10	1	24		20.97	21.12	20.97
10	1	49		20.76	20.88	20.75
10	25	0		20.49	20.64	20.51
10	25	12		20.24	20.39	20.24
10	25	24		20.04	20.11	20.03
10	50	0		19.8	19.86	19.82



LTE BAND 7

LTE Band 7 Maximum Average Power [dBm]						
BW [MHz]	RB Size	RB Offset	Mod	Lowest	Middle	Highest
15	1	0	QPSK	21.51	21.62	21.48
15	1	37		21.29	21.35	21.22
15	1	74		21.02	21.09	21
15	36	0		20.8	20.88	20.73
15	36	18		20.53	20.59	20.46
15	36	39		20.24	20.34	20.2
15	75	0		20.02	20.1	19.97
15	1	0	16-QAM	21.29	21.36	21.24
15	1	38		21.04	21.15	20.97
15	1	75		20.75	20.87	20.71
15	36	0		20.55	20.64	20.44
15	36	18		20.32	20.36	20.16
15	36	39		20.11	20.08	19.96
15	75	0		19.9	19.83	19.67
20	1	0	QPSK	21.53	21.63	21.5
20	1	49		21.3	21.4	21.3
20	1	99		21.07	21.11	21
20	50	0		20.8	20.86	20.8
20	50	24		20.53	20.65	20.53
20	50	49		20.24	20.36	20.31
20	100	0		20.03	20.13	20.03
20	1	0	16-QAM	21.27	21.33	21.22
20	1	49		20.99	21.12	20.95
20	1	99		20.76	20.83	20.74
20	50	0		20.55	20.58	20.53
20	50	24		20.34	20.29	20.28
20	50	49		20.06	20.06	20
20	100	0		19.79	19.8	19.79

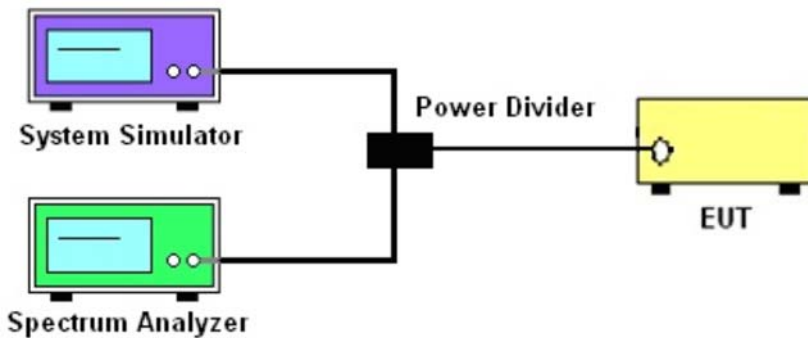
4. PEAK-TO-AVERAGE RATIO

4.1 DESCRIPTION OF THE CONDUCTED OUTPUT POWER MEASUREMENT

4.1.1 MEASUREMENT METHOD

Use one of the procedures presented in 4.1 to measure the total peak power and record as PPK. Use one of the applicable procedures presented 4.2 to measure the total average power and record as PAvg. Both the peak and average power levels must be expressed in the same logarithmic units (e.g., dBm). Determine the PAPR from:
 $PAPR (dB) = PPK (dBm) - PAvg (dBm)$.

4.1.2 TEST SETUP



4.1.3 TEST PROCEDURES

1. The testing follows FCC KDB 971168 D01 v03r01 Section 5.7.2 and ANSI C63.26 2015 Section 5.2.3.4
2. The EUT was connected to spectrum and system simulator via a power divider
3. Select lowest, middle, and highest channels for each band and different modulation.
4. Set the test probe and measure the peak and average power of the spectrum analyzer
5. Record the deviation as Peak to Average Ratio.

	LTE					
LTE BW	1.4M	3M	5M	10M	15M	20M
Span	3MHz	6MHz	10MHz	20MHz	30MHz	40MHz
RBW	30kHz	30kHz	100kHz	100kHz	300kHz	300kHz
VBW	100kHz	100kHz	300kHz	300kHz	1000kHz	1000kHz
Detector	PK/AVG	PK/AVG	PK/AVG	PK/AVG	PK/AVG	PK/AVG
Trace	Max	Max	Max	Max	Max	Max
Sweep Count	Auto	Auto	Auto	Auto	Auto	Auto



4.1.4 TEST RESULTS

LTE BAND 2

LTE Band 2 PAR [dB]					
BW [MHz]	RB Size	Modulation	Lowest	Middle	Highest
			P-A	P-A	P-A
20	1	QPSK	5.62	5	4.47
20	100		5.69	5.58	5.83
20	1	16-QAM	6.19	5.01	5.32
20	100		6.42	6.32	6.53
Limit			≤13dB		

LTE BAND 4

LTE Band 4 PAR [dB]					
BW [MHz]	RB Size	Modulation	Lowest	Middle	Highest
			P-A	P-A	P-A
20	1	QPSK	4.75	5.06	5.49
20	100		5.49	5.57	5.69
20	1	16-QAM	5.04	5.78	5.22
20	100		6.19	6.39	6.28
Limit			≤13dB		

LTE BAND 7

LTE Band 7 PAR [dB]					
BW [MHz]	RB Size	Modulation	Lowest	Middle	Highest
			P-A	P-A	P-A
20	1	QPSK	5.63	4.88	4.81
20	100		5.47	5.69	5.57
20	1	16-QAM	5.84	5.49	5.27
20	100		6.28	6.36	6.35
Limit			≤13dB		

NOTE:Test chart See Appendix D

5. RADIATED POWER AND EFFECTIVE ISOTROPIC RADIATED POWER

5.1 DESCRIPTION OF THE ERP/EIRP MEASUREMENT

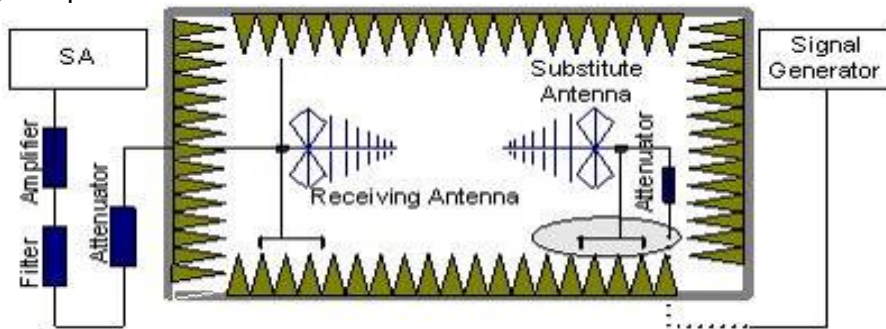
5.1.1 MEASUREMENT METHOD

Effective radiated power output measurements by substitution method according to ANSI C63.26 2015, and the spectrum analyzer configuration follows KDB 971168 D01 Power Meas. License Digital Systems. Mobile and portable (hand-held) stations operating are limited to average ERP, Equivalent isotropic radiated power output measurements by substitution method according to ANSI C63.26 2015, and the spectrum analyzer configuration follows KDB 971168 D01 Power Meas, Mobile and portable (hand-held) stations operating are limited to average EIRP.

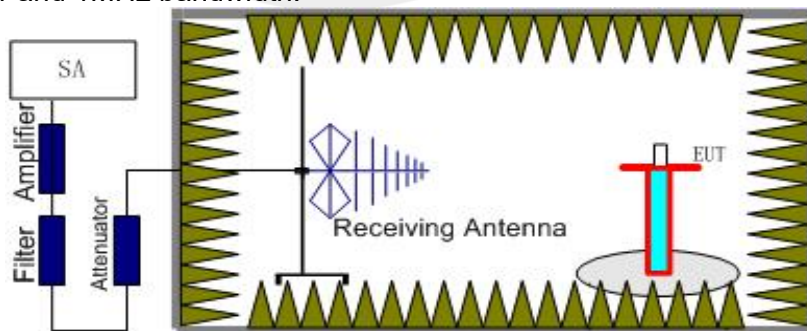
5.1.2 TEST SETUP

The procedure of radiated spurious emissions is as follows:

a) Pre-calibration With pre-calibration method, the Radiated Spurious Emissions(RSE) is calculated as, $RSE = R_x(\text{dBuV}) + CL(\text{dB}) + SA(\text{dB}) + \text{Gain}(\text{dBi}) - 107(\text{dBuV to dBm})$ The SA is calibrated using following setup.



b) EUT was placed on a 1.5 meter high non-conductive stand at a 3 meter test distance from the receive antenna. A receiving antenna was placed on the antenna mast 3 meters from the test item for emission measurements. The height of receiving antenna is 0.8m. The test setup refers to figure below. Detected emissions were maximized at each frequency by rotating the test item and adjusting the receiving antenna polarization. The radiated emission measurements of all non-harmonic and harmonics of the transmit frequency through the 10th harmonic were measured with peak detector and 1MHz bandwidth.



Radiated emissions measurements were made only at the upper, middle, and lower carrier frequencies. It was decided that measurements at these three carrier frequencies would be sufficient to demonstrate compliance with emissions limits because it was seen that all the significant spurs occur well outside the band and no radiation was seen from a carrier in one block of any band into any of the other blocks.

The substitution method is used. Substitution values at each frequency are measured before and saved to the test software. A "reference path loss" is established and the ARpl is the attenuation of "reference path loss", and including the gain of receive antenna, the gain of the preamplifier, the cable loss and the air loss. The measurement results are obtained as described below: $\text{Power} = \text{PMea} + \text{ARpl}$



5.1.3 TEST PROCEDURES

1. The testing follows FCC KDB 971168 D01v03r01 Section 5.6. and ANSI C63.26 2015 Section 5.2.
2. The EUT was placed on a non-conductive rotating platform 1.5 meters high in a semi-anechoic chamber. The radiated emission at the fundamental frequency was measured at 3 m with a test antenna and a spectrum analyzer with Peak detector.
3. During the measurement, the system simulator parameters were set to force the EUT transmitting at maximum output power. The maximum emission was recorded from analyzer power level (LVL) from the 360 degrees rotation of the turntable and the test antenna raised and lowered over a range from 1 to 4 meters in both horizontally and vertically polarized orientations.
4. Effective Isotropic Radiated Power (EIRP) was measured by substitution method according to ANSI C63.26 2015. The EUT was replaced by dipole antenna (substitution antenna) at same location, and then a known power from S.G. was applied into the dipole antenna through a Tx cable, and then recorded the maximum Analyzer reading through raised and lowered the test antenna. The correction factor (in dB) = S.G. - Tx Cable loss + Substitution antenna gain - Analyzer reading. Then the EUT's EIRP was calculated with the correction factor, $EIRP/ERP = LVL + \text{Correction factor}$
5. RB Set greater than bandwidth, Vb Set spectrum analyzer Maximum support.





5.1.4 TEST RESULTS

Note:Test is divided into three directions, X/Y/Z. X pattern for the worst.

LTE Band 2

Radiated Power (EIRP) for LTE Band 2 / 1.4M									
Modulation	RB		Channel	Result					Conclusion
	Size	Offset		S G.Level (dBm)	Cable loss	Gain (dBi)	PMeas E.I.R.P(dBm)	Polarization	
								Of Max. EIRP	
QPSK	1	0	Lowest	9.48	2.37	10.40	17.51	Horizontal	Pass
	1	0	Middle	9.34	2.39	10.42	17.37	Horizontal	Pass
	1	0	Highest	9.46	2.40	10.44	17.50	Horizontal	Pass
	1	0	Lowest	10.85	2.37	10.40	18.88	Vertical	Pass
	1	0	Middle	10.81	2.39	10.42	18.84	Vertical	Pass
	1	0	Highest	10.79	2.40	10.44	18.83	Vertical	Pass
16QAM	1	0	Lowest	9.18	2.37	10.40	17.21	Horizontal	Pass
	1	0	Middle	9.03	2.39	10.42	17.06	Horizontal	Pass
	1	0	Highest	9.19	2.40	10.44	17.23	Horizontal	Pass
	1	0	Lowest	10.58	2.37	10.40	18.61	Vertical	Pass
	1	0	Middle	10.51	2.39	10.42	18.54	Vertical	Pass
	1	0	Highest	10.56	2.40	10.44	18.60	Vertical	Pass
Limit	EIRP<2W=33dBm								



Radiated Power (EIRP) for LTE Band 2 / 3M									
Modulation	RB		Channel	Result					Conclusion
	Size	Offset		S G.Level (dBm)	Cable loss	Gain (dBi)	PMeas E.I.R.P(dBm)	Polarization	
								Of Max. EIRP	
QPSK	1	0	Lowest	9.42	2.37	10.40	17.45	Horizontal	Pass
	1	0	Middle	9.5	2.39	10.42	17.53	Horizontal	Pass
	1	0	Highest	9.56	2.40	10.44	17.60	Horizontal	Pass
	1	0	Lowest	10.83	2.37	10.40	18.86	Vertical	Pass
	1	0	Middle	10.87	2.39	10.42	18.90	Vertical	Pass
	1	0	Highest	10.87	2.40	10.44	18.91	Vertical	Pass
16QAM	1	0	Lowest	9.06	2.37	10.40	17.09	Horizontal	Pass
	1	0	Middle	9.24	2.39	10.42	17.27	Horizontal	Pass
	1	0	Highest	9.28	2.40	10.44	17.32	Horizontal	Pass
	1	0	Lowest	10.46	2.37	10.40	18.49	Vertical	Pass
	1	0	Middle	10.59	2.39	10.42	18.62	Vertical	Pass
	1	0	Highest	10.59	2.40	10.44	18.63	Vertical	Pass
Limit	EIRP<2W=33dBm								

Radiated Power (EIRP) for LTE Band 2 / 5M									
Modulation	RB		Channel	Result					Conclusion
	Size	Offset		S G.Level (dBm)	Cable loss	Gain (dBi)	PMeas E.I.R.P(dBm)	Polarization	
								Of Max. EIRP	
QPSK	1	0	Lowest	9.56	2.37	10.40	17.59	Horizontal	Pass
	1	0	Middle	9.43	2.39	10.42	17.46	Horizontal	Pass
	1	0	Highest	9.46	2.40	10.44	17.50	Horizontal	Pass
	1	0	Lowest	10.91	2.37	10.40	18.94	Vertical	Pass
	1	0	Middle	10.88	2.39	10.42	18.91	Vertical	Pass
	1	0	Highest	10.9	2.40	10.44	18.94	Vertical	Pass
16QAM	1	0	Lowest	9.11	2.37	10.40	17.14	Horizontal	Pass
	1	0	Middle	9.26	2.39	10.42	17.29	Horizontal	Pass
	1	0	Highest	9.38	2.40	10.44	17.42	Horizontal	Pass
	1	0	Lowest	10.49	2.37	10.40	18.52	Vertical	Pass
	1	0	Middle	10.63	2.39	10.42	18.66	Vertical	Pass
	1	0	Highest	10.69	2.40	10.44	18.73	Vertical	Pass
Limit	EIRP<2W=33dBm								



Radiated Power (EIRP) for LTE Band 2 / 10M									
Modulation	RB		Channel	Result					Conclusion
	Size	Offset		S G.Level (dBm)	Cable loss	Gain (dBi)	PMeas E.I.R.P(dBm)	Polarization	
								Of Max. EIRP	
QPSK	1	0	Lowest	9.54	2.37	10.40	17.57	Horizontal	Pass
	1	0	Middle	9.57	2.39	10.42	17.60	Horizontal	Pass
	1	0	Highest	9.41	2.40	10.44	17.45	Horizontal	Pass
	1	0	Lowest	10.92	2.37	10.40	18.95	Vertical	Pass
	1	0	Middle	10.95	2.39	10.42	18.98	Vertical	Pass
	1	0	Highest	10.85	2.40	10.44	18.89	Vertical	Pass
16QAM	1	0	Lowest	9.32	2.37	10.40	17.35	Horizontal	Pass
	1	0	Middle	9.33	2.39	10.42	17.36	Horizontal	Pass
	1	0	Highest	9.09	2.40	10.44	17.13	Horizontal	Pass
	1	0	Lowest	10.66	2.37	10.40	18.69	Vertical	Pass
	1	0	Middle	10.64	2.39	10.42	18.67	Vertical	Pass
	1	0	Highest	10.56	2.40	10.44	18.60	Vertical	Pass
Limit	EIRP<2W=33dBm								

Radiated Power (EIRP) for LTE Band 2 / 15M									
Modulation	RB		Channel	Result					Conclusion
	Size	Offset		S G.Level (dBm)	Cable loss	Gain (dBi)	PMeas E.I.R.P(dBm)	Polarization	
								Of Max. EIRP	
QPSK	1	0	Lowest	9.59	2.37	10.40	17.62	Horizontal	Pass
	1	0	Middle	9.56	2.39	10.42	17.59	Horizontal	Pass
	1	0	Highest	9.42	2.40	10.44	17.46	Horizontal	Pass
	1	0	Lowest	10.93	2.37	10.40	18.96	Vertical	Pass
	1	0	Middle	10.96	2.39	10.42	18.99	Vertical	Pass
	1	0	Highest	10.88	2.40	10.44	18.92	Vertical	Pass
16QAM	1	0	Lowest	9.21	2.37	10.40	17.24	Horizontal	Pass
	1	0	Middle	9.35	2.39	10.42	17.38	Horizontal	Pass
	1	0	Highest	9.24	2.40	10.44	17.28	Horizontal	Pass
	1	0	Lowest	10.62	2.37	10.40	18.65	Vertical	Pass
	1	0	Middle	10.78	2.39	10.42	18.81	Vertical	Pass
	1	0	Highest	10.55	2.40	10.44	18.59	Vertical	Pass
Limit	EIRP<2W=33dBm								



Radiated Power (EIRP) for LTE Band 2 / 20M									
Modulation	RB		Channel	Result					Conclusion
	Size	Offset		S G.Level (dBm)	Cable loss	Gain (dBi)	PMeas E.I.R.P.(dBm)	Polarization	
								Of Max. EIRP	
QPSK	1	0	Lowest	9.56	2.37	10.40	17.59	Horizontal	Pass
	1	0	Middle	9.57	2.39	10.42	17.60	Horizontal	Pass
	1	0	Highest	9.63	2.40	10.44	17.67	Horizontal	Pass
	1	0	Lowest	10.94	2.37	10.40	18.97	Vertical	Pass
	1	0	Middle	10.93	2.39	10.42	18.96	Vertical	Pass
	1	0	Highest	11	2.40	10.44	19.04	Vertical	Pass
16QAM	1	0	Lowest	9.28	2.37	10.40	17.31	Horizontal	Pass
	1	0	Middle	9.13	2.39	10.42	17.16	Horizontal	Pass
	1	0	Highest	9.21	2.40	10.44	17.25	Horizontal	Pass
	1	0	Lowest	10.7	2.37	10.40	18.73	Vertical	Pass
	1	0	Middle	10.59	2.39	10.42	18.62	Vertical	Pass
	1	0	Highest	10.68	2.40	10.44	18.72	Vertical	Pass
Limit	EIRP<2W=33dBm								



LTE Band 4

Radiated Power (EIRP) for LTE Band 4 / 1.4M									
Modulation	RB		Channel	Result					Conclusion
	Size	Offset		S G.Level (dBm)	Cable loss	Gain (dBi)	PMeas E.I.R.P(dBm)	Polarization	
								Of Max. EIRP	
QPSK	1	0	Lowest	11.17	2.35	10.13	18.95	Horizontal	Pass
	1	0	Middle	11.01	2.36	10.16	18.81	Horizontal	Pass
	1	0	Highest	10.93	2.37	10.22	18.78	Horizontal	Pass
	1	0	Lowest	12.52	2.35	10.13	20.30	Vertical	Pass
	1	0	Middle	12.48	2.36	10.16	20.28	Vertical	Pass
	1	0	Highest	12.41	2.37	10.22	20.26	Vertical	Pass
16QAM	1	0	Lowest	10.85	2.35	10.13	18.63	Horizontal	Pass
	1	0	Middle	10.63	2.36	10.16	18.43	Horizontal	Pass
	1	0	Highest	10.63	2.37	10.22	18.48	Horizontal	Pass
	1	0	Lowest	12.29	2.35	10.13	20.07	Vertical	Pass
	1	0	Middle	12.1	2.36	10.16	19.90	Vertical	Pass
	1	0	Highest	12.03	2.37	10.22	19.88	Vertical	Pass
Limit	EIRP<1W=30dBm								

Radiated Power (EIRP) for LTE Band 4 / 3M									
Modulation	RB		Channel	Result					Conclusion
	Size	Offset		S G.Level (dBm)	Cable loss	Gain (dBi)	PMeas E.I.R.P(dBm)	Polarization	
								Of Max. EIRP	
QPSK	1	0	Lowest	11.11	2.35	10.13	18.89	Horizontal	Pass
	1	0	Middle	11.06	2.36	10.16	18.86	Horizontal	Pass
	1	0	Highest	11.04	2.37	10.22	18.89	Horizontal	Pass
	1	0	Lowest	12.52	2.35	10.13	20.30	Vertical	Pass
	1	0	Middle	12.48	2.36	10.16	20.28	Vertical	Pass
	1	0	Highest	12.35	2.37	10.22	20.20	Vertical	Pass
16QAM	1	0	Lowest	10.91	2.35	10.13	18.69	Horizontal	Pass
	1	0	Middle	10.89	2.36	10.16	18.69	Horizontal	Pass
	1	0	Highest	10.73	2.37	10.22	18.58	Horizontal	Pass
	1	0	Lowest	12.22	2.35	10.13	20.00	Vertical	Pass
	1	0	Middle	12.2	2.36	10.16	20.00	Vertical	Pass
	1	0	Highest	12.19	2.37	10.22	20.04	Vertical	Pass
Limit	EIRP<1W=30dBm								



Radiated Power (EIRP) for LTE Band 4 / 5M									
Modulation	RB		Channel	Result					Conclusion
	Size	Offset		S G.Level (dBm)	Cable loss	Gain (dBi)	PMeas E.I.R.P.(dBm)	Polarization	
								Of Max. EIRP	
QPSK	1	0	Lowest	11.03	2.35	10.13	18.81	Horizontal	Pass
	1	0	Middle	11.1	2.36	10.16	18.90	Horizontal	Pass
	1	0	Highest	10.99	2.37	10.22	18.84	Horizontal	Pass
	1	0	Lowest	12.43	2.35	10.13	20.21	Vertical	Pass
	1	0	Middle	12.43	2.36	10.16	20.23	Vertical	Pass
	1	0	Highest	12.42	2.37	10.22	20.27	Vertical	Pass
16QAM	1	0	Lowest	10.87	2.35	10.13	18.65	Horizontal	Pass
	1	0	Middle	11.01	2.36	10.16	18.81	Horizontal	Pass
	1	0	Highest	10.65	2.37	10.22	18.50	Horizontal	Pass
	1	0	Lowest	12.23	2.35	10.13	20.01	Vertical	Pass
	1	0	Middle	12.32	2.36	10.16	20.12	Vertical	Pass
	1	0	Highest	12.09	2.37	10.22	19.94	Vertical	Pass
Limit	EIRP<1W=30dBm								

Radiated Power (EIRP) for LTE Band 4 / 10M									
Modulation	RB		Channel	Result					Conclusion
	Size	Offset		S G.Level (dBm)	Cable loss	Gain (dBi)	PMeas E.I.R.P.(dBm)	Polarization	
								Of Max. EIRP	
QPSK	1	0	Lowest	11.16	2.35	10.13	18.94	Horizontal	Pass
	1	0	Middle	11.08	2.36	10.16	18.88	Horizontal	Pass
	1	0	Highest	11.14	2.37	10.22	18.99	Horizontal	Pass
	1	0	Lowest	12.56	2.35	10.13	20.34	Vertical	Pass
	1	0	Middle	12.4	2.36	10.16	20.20	Vertical	Pass
	1	0	Highest	12.53	2.37	10.22	20.38	Vertical	Pass
16QAM	1	0	Lowest	10.83	2.35	10.13	18.61	Horizontal	Pass
	1	0	Middle	10.71	2.36	10.16	18.51	Horizontal	Pass
	1	0	Highest	10.88	2.37	10.22	18.73	Horizontal	Pass
	1	0	Lowest	12.27	2.35	10.13	20.05	Vertical	Pass
	1	0	Middle	12.16	2.36	10.16	19.96	Vertical	Pass
	1	0	Highest	12.25	2.37	10.22	20.10	Vertical	Pass
Limit	EIRP<1W=30dBm								



Radiated Power (EIRP) for LTE Band 4 / 15M									
Modulation	RB		Channel	Result					Conclusion
	Size	Offset		S G.Level (dBm)	Cable loss	Gain (dBi)	PMeas E.I.R.P(dBm)	Polarization	
								Of Max. EIRP	
QPSK	1	0	Lowest	11.08	2.35	10.13	18.86	Horizontal	Pass
	1	0	Middle	11.15	2.36	10.16	18.95	Horizontal	Pass
	1	0	Highest	11.08	2.37	10.22	18.93	Horizontal	Pass
	1	0	Lowest	12.57	2.35	10.13	20.35	Vertical	Pass
	1	0	Middle	12.48	2.36	10.16	20.28	Vertical	Pass
	1	0	Highest	12.56	2.37	10.22	20.41	Vertical	Pass
16QAM	1	0	Lowest	10.85	2.35	10.13	18.63	Horizontal	Pass
	1	0	Middle	10.82	2.36	10.16	18.62	Horizontal	Pass
	1	0	Highest	10.91	2.37	10.22	18.76	Horizontal	Pass
	1	0	Lowest	12.35	2.35	10.13	20.13	Vertical	Pass
	1	0	Middle	12.3	2.36	10.16	20.10	Vertical	Pass
	1	0	Highest	12.27	2.37	10.22	20.12	Vertical	Pass
Limit	EIRP<1W=30dBm								

Radiated Power (EIRP) for LTE Band 4 / 20M									
Modulation	RB		Channel	Result					Conclusion
	Size	Offset		S G.Level (dBm)	Cable loss	Gain (dBi)	PMeas E.I.R.P(dBm)	Polarization	
								Of Max. EIRP	
QPSK	1	0	Lowest	11.21	2.35	10.13	18.99	Horizontal	Pass
	1	0	Middle	11.13	2.36	10.16	18.93	Horizontal	Pass
	1	0	Highest	11.07	2.37	10.22	18.92	Horizontal	Pass
	1	0	Lowest	12.66	2.35	10.13	20.44	Vertical	Pass
	1	0	Middle	12.46	2.36	10.16	20.26	Vertical	Pass
	1	0	Highest	12.4	2.37	10.22	20.25	Vertical	Pass
16QAM	1	0	Lowest	10.99	2.35	10.13	18.77	Horizontal	Pass
	1	0	Middle	10.77	2.36	10.16	18.57	Horizontal	Pass
	1	0	Highest	10.83	2.37	10.22	18.68	Horizontal	Pass
	1	0	Lowest	12.31	2.35	10.13	20.09	Vertical	Pass
	1	0	Middle	12.25	2.36	10.16	20.05	Vertical	Pass
	1	0	Highest	12.22	2.37	10.22	20.07	Vertical	Pass
Limit	EIRP<1W=30dBm								



LTE Band 7

Radiated Power (EIRP) for LTE Band 7 / 5M									
Modulation	RB		Channel	Result					Conclusion
	Size	Offset		S G.Level (dBm)	Cable loss	Gain (dBi)	PMeas E.I.R.P(dBm)	Polarization	
								Of Max. EIRP	
QPSK	1	0	Lowest	10.15	2.56	10.60	18.19	Horizontal	Pass
	1	0	Middle	10.33	2.67	10.65	18.31	Horizontal	Pass
	1	0	Highest	10.4	2.72	10.70	18.38	Horizontal	Pass
	1	0	Lowest	11.59	2.56	10.60	19.63	Vertical	Pass
	1	0	Middle	11.74	2.67	10.65	19.72	Vertical	Pass
	1	0	Highest	11.81	2.72	10.70	19.79	Vertical	Pass
16QAM	1	0	Lowest	10.16	2.56	10.60	18.20	Horizontal	Pass
	1	0	Middle	9.96	2.67	10.65	17.94	Horizontal	Pass
	1	0	Highest	10.14	2.72	10.70	18.12	Horizontal	Pass
	1	0	Lowest	11.52	2.56	10.60	19.56	Vertical	Pass
	1	0	Middle	11.39	2.67	10.65	19.37	Vertical	Pass
	1	0	Highest	11.45	2.72	10.70	19.43	Vertical	Pass
Limit	EIRP<2W=33dBm								

Radiated Power (EIRP) for LTE Band 7 / 10M									
Modulation	RB		Channel	Result					Conclusion
	Size	Offset		S G.Level (dBm)	Cable loss	Gain (dBi)	PMeas E.I.R.P(dBm)	Polarization	
								Of Max. EIRP	
QPSK	1	0	Lowest	10.23	2.56	10.60	18.27	Horizontal	Pass
	1	0	Middle	10.27	2.67	10.65	18.25	Horizontal	Pass
	1	0	Highest	10.3	2.72	10.70	18.28	Horizontal	Pass
	1	0	Lowest	11.63	2.56	10.60	19.67	Vertical	Pass
	1	0	Middle	11.67	2.67	10.65	19.65	Vertical	Pass
	1	0	Highest	11.68	2.72	10.70	19.66	Vertical	Pass
16QAM	1	0	Lowest	10.03	2.56	10.60	18.07	Horizontal	Pass
	1	0	Middle	10.1	2.67	10.65	18.08	Horizontal	Pass
	1	0	Highest	10.3	2.72	10.70	18.28	Horizontal	Pass
	1	0	Lowest	11.38	2.56	10.60	19.42	Vertical	Pass
	1	0	Middle	11.47	2.67	10.65	19.45	Vertical	Pass
	1	0	Highest	11.64	2.72	10.70	19.62	Vertical	Pass
Limit	EIRP<2W=33dBm								



Radiated Power (EIRP) for LTE Band 7 / 15M									
Modulation	RB		Channel	Result					Conclusion
	Size	Offset		S G.Level (dBm)	Cable loss	Gain (dBi)	PMeas E.I.R.P.(dBm)	Polarization	
								Of Max. EIRP	
QPSK	1	0	Lowest	10.49	2.56	10.60	18.53	Horizontal	Pass
	1	0	Middle	10.51	2.67	10.65	18.49	Horizontal	Pass
	1	0	Highest	10.26	2.72	10.70	18.24	Horizontal	Pass
	1	0	Lowest	11.79	2.56	10.60	19.83	Vertical	Pass
	1	0	Middle	11.82	2.67	10.65	19.80	Vertical	Pass
	1	0	Highest	11.72	2.72	10.70	19.70	Vertical	Pass
16QAM	1	0	Lowest	10.15	2.56	10.60	18.19	Horizontal	Pass
	1	0	Middle	10.09	2.67	10.65	18.07	Horizontal	Pass
	1	0	Highest	10.13	2.72	10.70	18.11	Horizontal	Pass
	1	0	Lowest	11.46	2.56	10.60	19.50	Vertical	Pass
	1	0	Middle	11.58	2.67	10.65	19.56	Vertical	Pass
	1	0	Highest	11.52	2.72	10.70	19.50	Vertical	Pass
Limit	EIRP<2W=33dBm								

Radiated Power (EIRP) for LTE Band 7 / 20M									
Modulation	RB		Channel	Result					Conclusion
	Size	Offset		S G.Level (dBm)	Cable loss	Gain (dBi)	PMeas E.I.R.P.(dBm)	Polarization	
								Of Max. EIRP	
QPSK	1	0	Lowest	10.39	2.56	10.60	18.43	Horizontal	Pass
	1	0	Middle	10.27	2.67	10.65	18.25	Horizontal	Pass
	1	0	Highest	10.45	2.72	10.70	18.43	Horizontal	Pass
	1	0	Lowest	11.7	2.56	10.60	19.74	Vertical	Pass
	1	0	Middle	11.74	2.67	10.65	19.72	Vertical	Pass
	1	0	Highest	11.79	2.72	10.70	19.77	Vertical	Pass
16QAM	1	0	Lowest	10.13	2.56	10.60	18.17	Horizontal	Pass
	1	0	Middle	10	2.67	10.65	17.98	Horizontal	Pass
	1	0	Highest	10.11	2.72	10.70	18.09	Horizontal	Pass
	1	0	Lowest	11.45	2.56	10.60	19.49	Vertical	Pass
	1	0	Middle	11.44	2.67	10.65	19.42	Vertical	Pass
	1	0	Highest	11.58	2.72	10.70	19.56	Vertical	Pass
Limit	EIRP<2W=33dBm								

6. OCCUPIED BANDWIDTH

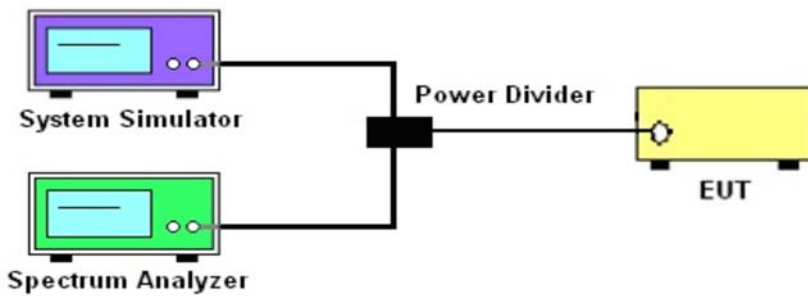
6.1 DESCRIPTION OF OCCUPIED BANDWIDTH MEASUREMENT

6.1.1 MEASUREMENT METHOD

1.The occupied bandwidth is the width of a frequency band such that, below the lower and above the upper frequency limits, the mean powers emitted are each equal to a specified percentage 0.5% of the total mean transmitted power.

2.The 26 db emission bandwidth is defined as the frequency range between two points, one above and one below the carrier frequency, at which the spectral density of the emission is attenuated 26 db below the maximum in-band spectral density of the modulated signal. spectral density (power per unit bandwidth) is to be measured with a detector of resolution bandwidth equal to approximately 1.0% of the emission bandwidth.

6.1.2 TEST SETUP



6.1.3 TEST PROCEDURES

1. The testing follows FCC KDB 971168 D01 v03r01 Section 4.1.and 4.2
2. The EUT was connected to spectrum and system simulator via a power divider
3. Select lowest, middle, and highest channels for each band and different modulation.
4. Set the test probe and measure the Occupied Bandwidth of the spectrum analyzer
5. Measure and record the Occupied Bandwidth from the Spectrum Analyzer.

	LTE					
LTE BW	1.4M	3M	5M	10M	15M	20M
Span	3MHz	6MHz	10MHz	20MHz	30MHz	40MHz
RBW	30kHz	30kHz	100kHz	100kHz	300kHz	300kHz
VBW	100kHz	100kHz	300kHz	300kHz	1000kHz	1000kHz
Detector	PK	PK	PK	PK	PK	PK
Trace	Max	Max	Max	Max	Max	Max
Sweep Count	Auto	Auto	Auto	Auto	Auto	Auto



6.1.4 MEASUREMENT RESULT

LTE BAND 2

LTE Band 2 Bandwidth [MHz]							
BW [MHz]	Mod	Lowest		Middle		Highest	
		26dB BW	99% BW	26dB BW	99% BW	26dB BW	99% BW
1.4	QPSK	1.308	1.0932	1.305	1.1045	1.279	1.0928
1.4	16-QAM	1.287	1.0943	1.304	1.0974	1.275	1.0909
3	QPSK	2.858	2.6774	2.848	2.6735	2.866	2.6722
3	16-QAM	2.863	2.6740	2.852	2.6761	2.856	2.6721
5	QPSK	5.172	4.5075	5.150	4.5259	5.193	4.5130
5	16-QAM	5.151	4.5104	5.172	4.5349	5.183	4.5336
10	QPSK	9.781	8.9394	9.852	8.9569	9.750	8.7248
10	16-QAM	9.683	8.9392	9.788	8.9454	9.771	8.9303
15	QPSK	15.06	13.501	14.95	13.508	14.91	13.463
15	16-QAM	14.98	13.502	14.94	13.502	15.03	13.504
20	QPSK	19.48	17.931	19.79	17.953	19.41	17.950
20	16-QAM	19.47	17.924	19.54	17.927	19.49	17.943

LTE BAND 4

LTE Band 4 Bandwidth [MHz]							
BW [MHz]	Mod	Lowest		Middle		Highest	
		26dB BW	99% BW	26dB BW	99% BW	26dB BW	99% BW
1.4	QPSK	1.308	1.0967	1.282	1.1014	1.282	1.0917
1.4	16-QAM	1.293	1.0943	1.306	1.0966	1.295	1.0913
3	QPSK	2.858	2.6777	2.849	2.6758	2.869	2.6826
3	16-QAM	2.853	2.6722	2.852	2.6760	2.862	2.6724
5	QPSK	5.594	4.5187	5.614	4.5464	5.186	4.5180
5	16-QAM	5.222	4.5110	5.293	4.5507	5.184	4.5368
10	QPSK	9.768	8.9458	9.828	8.9551	9.759	8.9436
10	16-QAM	9.681	8.9417	9.780	8.9395	9.823	8.9536
15	QPSK	15.16	13.497	15.01	13.512	14.95	13.466
15	16-QAM	14.93	13.506	14.97	13.501	14.94	13.494
20	QPSK	19.53	17.939	19.36	17.929	19.43	17.923
20	16-QAM	19.57	17.946	19.57	17.931	19.50	17.913



LTE BAND 7

LTE Band 7 Bandwidth [MHz]							
BW [MHz]	Mod	Lowest		Middle		Highest	
		26dB BW	99% BW	26dB BW	99% BW	26dB BW	99% BW
5	QPSK	5.110	4.5092	5.192	4.5317	5.214	4.5195
5	16-QAM	5.226	4.5468	5.159	4.5099	5.200	4.5406
10	QPSK	9.958	8.9541	9.829	8.9379	9.870	8.9496
10	16-QAM	9.733	8.9439	9.791	8.9491	9.863	8.9486
15	QPSK	15.80	13.525	14.91	13.475	15.11	13.488
15	16-QAM	14.99	13.489	15.02	13.495	15.05	13.496
20	QPSK	19.36	17.904	19.48	17.913	19.68	17.925
20	16-QAM	19.51	17.937	19.58	17.950	19.45	17.927

NOTE: Test chart See Appendix A





7. CONDUCTED BAND EDGE

7.1 DESCRIPTION OF CONDUCTED BAND EDGE MEASUREMENT

7.1.1 MEASUREMENT METHOD

1. §22.917(a)

For operations in the 824 – 849 MHz band, the FCC limit is $43 + 10\log_{10}(P[\text{Watts}])$ dB below the transmitter power $P(\text{Watts})$ in a 100kHz bandwidth. However, in the 1MHz bands immediately outside and adjacent to the licensee's frequency block, a resolution bandwidth of at least one percent of the emission bandwidth of the fundamental emission of the transmitter may be employed.

2. §24.238 (a)

For operations in the 1850-1910 and 1930-1990 MHz band, the FCC limit is $43 + 10\log_{10}(P[\text{Watts}])$ dB below the transmitter power $P(\text{Watts})$ in a 1MHz bandwidth. However, in the 1 MHz bands immediately outside and adjacent to the frequency block a resolution bandwidth of at least one percent of the emission bandwidth of the fundamental emission of the transmitter may be employed

3. §27.53 (h)

For operations in the 1710 – 1755 MHz band, the FCC limit is $43 + 10\log_{10}(P[\text{Watts}])$ dB below the transmitter power $P(\text{Watts})$ in a 1 MHz bandwidth. However, in the 1MHz bands immediately outside and adjacent to the licensee's frequency block, a resolution bandwidth of at least one percent of the emission bandwidth of the fundamental emission of the transmitter may be employed.

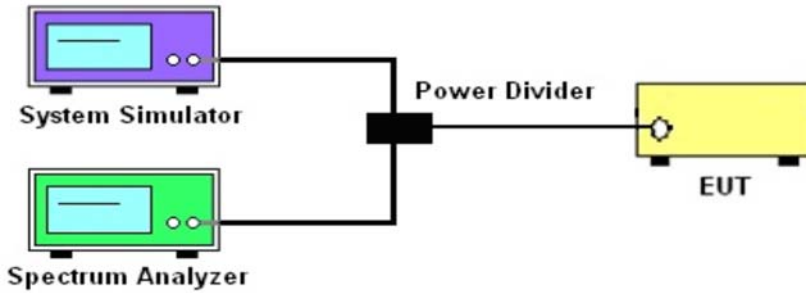
4. §27.53(m)(4)

For operations in the 2500 MHz ~ 2570 MHz band this section, the attenuation factor shall be not less than $40 + 10 \log (P)$ dB on all frequencies between the channel edge and 5 megahertz from the channel edge, $43 + 10 \log (P)$ dB on all frequencies between 5 megahertz and X megahertz from the channel edge, and $55 + 10 \log (P)$ dB on all frequencies more than X megahertz from the channel edge, where X is the greater of 6 megahertz or the actual emission bandwidth as defined in paragraph (m)(6) of this section. In addition, the attenuation factor shall not be less than $43 + 10 \log (P)$ dB on all frequencies between 2490.5 MHz and 2496 MHz and $55 + 10 \log (P)$ dB at or below 2490.5 MHz. Mobile Satellite Service licensees operating on frequencies below 2495 MHz may also submit a documented interference complaint against BRS licensees operating on channel BRS Channel 1 on the same terms and conditions as adjacent channel BRS or EBS licensees.

5. §27.53 (g)

For operations in the 698 -746 MHz band, the FCC limit is $43 + 10\log_{10}(P[\text{Watts}])$ dB below the transmitter power $P(\text{Watts})$ in a 100 kHz bandwidth. However, in the 100 kilohertz bands immediately outside and adjacent to a licensee's frequency block, a resolution bandwidth of at least 30 kHz may be employed.

7.1.2 TEST SETUP



7.1.3 TEST PROCEDURES

1. The testing FCC KDB 971168 D01 v03r01 Section 6.0. and ANSI C63.26 2015 Section 5.7.
 2. The EUT was connected to spectrum analyzer and system simulator via a power divider.
 3. The band edges of low and high channels for the highest RF powers were measured. Set RBW $\geq 1\%$ EBW in the 1MHz band immediately outside and adjacent to the band edge.
 4. Set spectrum analyzer with RMS/AVG detector
 5. The RF fundamental frequency should be excluded against the limit line in the operating frequency band.
 6. The limit line is derived from $43 + 10\log(P)$ dB below the transmitter power P(Watts)

$$= P(W) - [43 + 10\log(P)] \text{ (dB)}$$

$$= [30 + 10\log(P)] \text{ (dBm)} - [43 + 10\log(P)] \text{ (dB)}$$

$$= -13\text{dBm}.$$
- Band 7:
- $$= P(W) - [55 + 10\log(P)] \text{ (dB)}$$
- $$= [30 + 10\log(P)] \text{ (dBm)} - [55 + 10\log(P)] \text{ (dB)}$$
- $$= -25\text{dBm}.$$

	LTE					
LTE BW	1.4M	3M	5M	10M	15M	20M
Span	12MHz	13MHz	15MHz	20MHz	25MHz	30MHz
RBW	30kHz	30kHz	100kHz	100kHz	300kHz	300kHz
VBW	100kHz	100kHz	300kHz	300kHz	1000kHz	1000kHz
Detector	RMS	RMS	RMS	RMS	RMS	RMS
Trace	Max	Max	Max	Max	Max	Max
Sweep Count	Auto	Auto	Auto	Auto	Auto	Auto

7.1.4 MEASUREMENT RESULT

NOTE: Test chart See Appendix B

8. CONDUCTED SPURIOUS EMISSION

8.1 DESCRIPTION OF CONDUCTED SPURIOUS EMISSION MEASUREMENT

8.1.1 MEASUREMENT METHOD

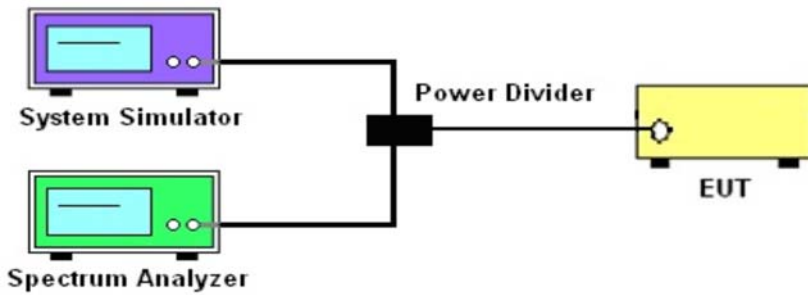
The power of any emission outside of the authorized operating frequency ranges must be lower than the transmitter power (P) by a factor of at least 43 + 10 log (P) dB.

For Band 7:

The power of any emission outside of the authorized operating frequency ranges must be lower than the transmitter power (P) by a factor of at least 55 + 10 log (P) dB.

It is measured by means of a calibrated spectrum analyzer and scanned from 30 MHz up to a frequency including its 10th harmonic.

8.1.2 TEST SETUP



8.1.3 TEST PROCEDURES

1. The testing FCC KDB 971168 D01 v03r01 Section 6.0. and ANSI C63.26 2015 Section 5.7.
2. The EUT was connected to spectrum analyzer and system simulator via a power divider.
3. The RF output of EUT was connected to the spectrum analyzer by RF cable and attenuator. The path loss was compensated to the results for each measurement
4. Make the measurement with the spectrum analyzer's RBW = 1MHz, VBW = 3MHz, taking the record of maximum spurious emission.
5. The RF fundamental frequency should be excluded against the limit line in the operating frequency band.
6. The limit line is derived from $43 + 10\log(P)$ dB below the transmitter power P(Watts)
 $= P(W) - [43 + 10\log(P)] \text{ (dB)} = [30 + 10\log(P)] \text{ (dBm)} - [43 + 10\log(P)] \text{ (dB)}$
 $= -13\text{dBm}$
 For Band 7: $P(W) - [43 + 10\log(P)] \text{ (dB)} = -25\text{dBm}$

	LTE					
LTE BW	1.4M	3M	5M	10M	15M	20M
Span	Auto	Auto	Auto	Auto	Auto	Auto
RBW	1000kHz	1000kHz	1000kHz	1000kHz	1000kHz	1000kHz
VBW	3000kHz	3000kHz	3000kHz	3000kHz	3000kHz	3000kHz
Detector	PK	PK	PK	PK	PK	PK
Trace	Max	Max	Max	Max	Max	Max

8.1.4 TEST RESULTS

NOTE: Test chart See Appendix C

9. RADIATED SPURIOUS EMISSION

9.1 DESCRIPTION OF RADIATED SPURIOUS EMISSION

9.1.1 MEASUREMENT METHOD

The radiated spurious emission was measured by substitution method according to ANSI C63.26 2015 . The power of any emission outside of the authorized operating frequency ranges must be attenuated below the transmitter power (P) by a factor of at least $43 + 10 \log (P)$ dB. For Band 7 The power of any emission outside of the authorized operating frequency ranges must be attenuated below the transmitter power (P) by a factor of at least $55 + 10 \log (P)$ dB. For Band. The spectrum is scanned from 30 MHz up to a frequency including its 10th harmonic.

5.1.2 Test Setup

The procedure of radiated spurious emissions is as follows:

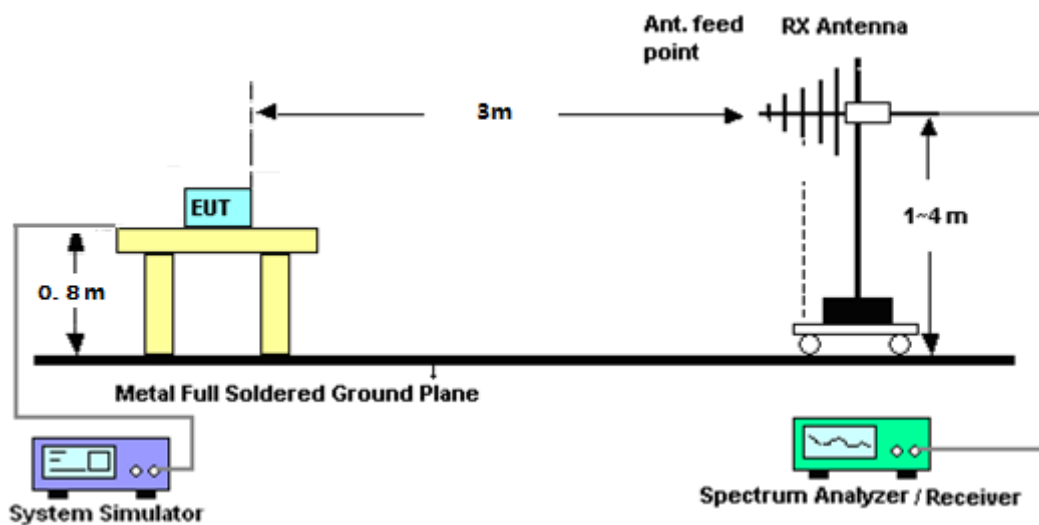
a) Pre-calibration With pre-calibration method, the Radiated Spurious Emissions(RSE) is calculated as, $RSE = Rx (\text{dBuV}) + CL (\text{dB}) + SA (\text{dB}) + Gain (\text{dBi}) - 107 (\text{dBuV to dBm})$ The SA is calibrated using following setup.

b) EUT was placed on a 1.5 meter high non-conductive stand at a 3 meter test distance from the receive antenna. A receiving antenna was placed on the antenna mast 3 meters from the test item for emission measurements. The height of receiving antenna is 0.8m. The test setup refers to figure below. Detected emissions were maximized at each frequency by rotating the test item and adjusting the receiving antenna polarization. The radiated emission measurements of all non-harmonic and harmonics of the transmit frequency through the 10th harmonic were measured with peak detector and 1MHz bandwidth.

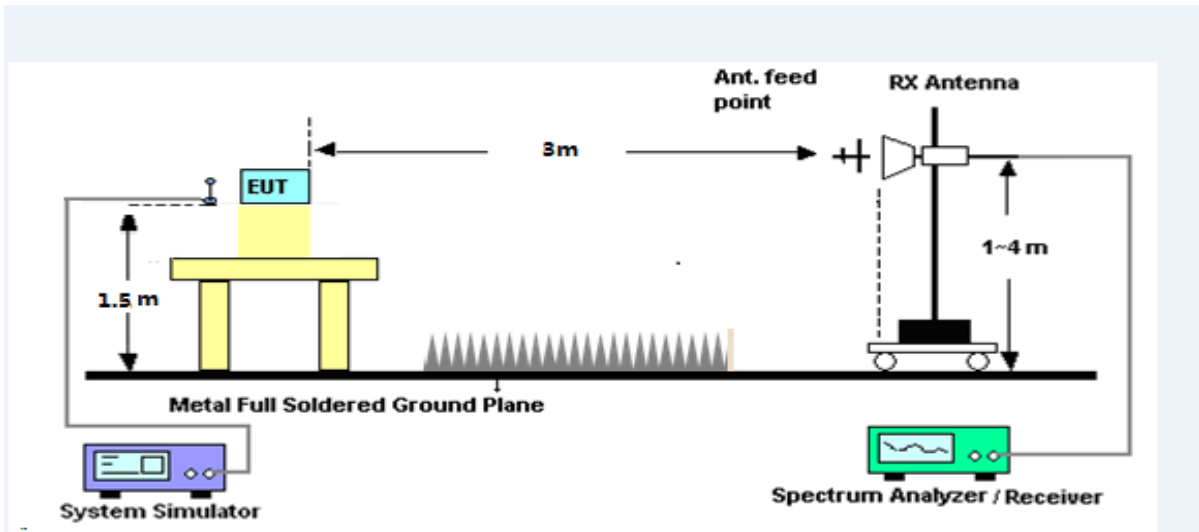
Radiated emissions measurements were made only at the upper, middle, and lower carrier frequencies It was decided that measurements at these three carrier frequencies would be sufficient to demonstrate compliance with emissions limits because it was seen that all the significant spurs occur well outside the band and no radiation was seen from a carrier in one block of any band into any of the other blocks.

The substitution method is used. Substitution values at each frequency are measured before and saved to the test software. A "reference path loss" is established and the ARpl is the attenuation of "reference path loss", and including the gain of receive antenna, the gain of the preamplifier, the cable loss and the air loss. The measurement results are obtained as described below: $Power = P_{Mea} + AR_{pl}$

For radiated test from 30MHz to 1GHz



For radiated test from above 1GHz



9.1.3 TEST PROCEDURES

1. The testing FCC KDB 971168 D01 Section 5.8 and ANSI C63.26 2015 Section 5.5.
2. The EUT was placed on a rotatable wooden table with 0.8 meter above ground.
3. The EUT was set 3 meters from the receiving antenna, which was mounted on the antenna tower.
4. The table was rotated 360 degrees to determine the position of the highest spurious emission.
5. The height of the receiving antenna is varied between one meter and four meters to search the maximum spurious emission for both horizontal and vertical polarizations
6. Make the measurement with the spectrum analyzer's RBW = 1MHz, VBW = 3MHz, taking the record of maximum spurious emission.
7. A horn antenna was substituted in place of the EUT and was driven by a signal generator.
8. Tune the output power of signal generator to the same emission level with EUT maximum spurious emission.
9. Taking the record of output power at antenna port.
10. Repeat step 7 to step 8 for another polarization.
11. The RF fundamental frequency should be excluded against the limit line in the operating frequency band.

The limit line is derived from $43 + 10\log(P)$ dB below the transmitter power P(Watts)
 $= P(W) - [43 + 10\log(P)]$ (dB)
 $= [30 + 10\log(P)]$ (dBm) - $[43 + 10\log(P)]$ (dB)
 $= -13$ dBm

For Band 7:

The limit line is derived from $55 + 10\log(P)$ dB below the transmitter power P(Watts)
 $= [30 + 10\log(P)]$ (dBm) - $[55 + 10\log(P)]$ (dB)
 $= -25$ dBm

EIRP (dBm) = S.G. Power – Tx Cable Loss + Tx Antenna Gain

ERP (dBm) = EIRP - 2.15



9.1.4 TEST RESULTS

LTE BAND 2

LTE Band 2 / 1.4MHz / QPSK / RB Size 1 Offset 0/ The Worst Test Results for Lowest							
Frequency(MHz)	S G.Lev (dBm)	Ant(dBi)	Loss	PMea	Limit	Margin	Polarity
			(dB)	(dBm)	(dBm)	(dB)	
3701.40	-33.77	12.60	12.93	-34.10	-13.00	-21.10	H
5552.08	-34.75	13.10	17.11	-38.76	-13.00	-25.76	H
7402.49	-33.36	11.50	22.20	-44.06	-13.00	-31.06	H
3701.40	-35.33	12.60	12.93	-35.66	-13.00	-22.66	V
5552.08	-34.52	13.10	17.11	-38.53	-13.00	-25.53	V
7402.49	-32.30	11.50	22.20	-43.00	-13.00	-30.00	V
LTE Band 2 / 1.4MHz / QPSK / RB Size 1 Offset 0/ The Worst Test Results for Middle							
Frequency(MHz)	S G.Lev (dBm)	Ant(dBi)	Loss	PMea	Limit	Margin	Polarity
			(dB)	(dBm)	(dBm)	(dB)	
3759.92	-34.29	12.60	12.93	-34.62	-13.00	-21.62	H
5640.09	-34.02	13.10	17.11	-38.03	-13.00	-25.03	H
7519.83	-32.81	11.50	22.20	-43.51	-13.00	-30.51	H
3759.92	-34.62	12.60	12.93	-34.95	-13.00	-21.95	V
5640.09	-34.92	13.10	17.11	-38.93	-13.00	-25.93	V
7519.83	-32.30	11.50	22.20	-43.00	-13.00	-30.00	V
LTE Band 2 / 1.4MHz / QPSK / RB Size 1 Offset 0/ The Worst Test Results for Highest							
Frequency(MHz)	S G.Lev (dBm)	Ant(dBi)	Loss	PMea	Limit	Margin	Polarity
			(dB)	(dBm)	(dBm)	(dB)	
3818.54	-33.86	12.60	12.93	-34.19	-13.00	-21.19	H
5727.84	-34.95	13.10	17.11	-38.96	-13.00	-25.96	H
7636.90	-32.90	11.50	22.20	-43.60	-13.00	-30.60	H
3818.54	-34.61	12.60	12.93	-34.94	-13.00	-21.94	V
5727.84	-34.74	13.10	17.11	-38.75	-13.00	-25.75	V
7636.90	-32.34	11.50	22.20	-43.04	-13.00	-30.04	V

Remark: Spurious emissions within 30-1000MHz were found more than 20dB below limit line.

Test is divided into three directions, X/Y/Z. X pattern for the worst.



LTE BAND 2

LTE Band 2 / 3MHz / QPSK / RB Size 1 Offset 0/ The Worst Test Results for Lowest							
Frequency(MHz)	S G.Lev (dBm)	Ant(dBi)	Loss	PMea	Limit	Margin	Polarity
			(dB)	(dBm)	(dBm)	(dB)	
3703.34	-33.49	12.60	12.93	-33.82	-13.00	-20.82	H
5554.56	-35.15	13.10	17.11	-39.16	-13.00	-26.16	H
7406.71	-32.26	11.50	22.20	-42.96	-13.00	-29.96	H
3703.34	-35.69	12.60	12.93	-36.02	-13.00	-23.02	V
5554.56	-33.81	13.10	17.11	-37.82	-13.00	-24.82	V
7406.71	-31.86	11.50	22.20	-42.56	-13.00	-29.56	V
LTE Band 2 / 3MHz / QPSK / RB Size 1 Offset 0/ The Worst Test Results for Middle							
Frequency(MHz)	S G.Lev (dBm)	Ant(dBi)	Loss	PMea	Limit	Margin	Polarity
			(dB)	(dBm)	(dBm)	(dB)	
3759.89	-33.49	12.60	12.93	-33.82	-13.00	-20.82	H
5640.06	-34.62	13.10	17.11	-38.63	-13.00	-25.63	H
7520.18	-33.03	11.50	22.20	-43.73	-13.00	-30.73	H
3759.89	-35.45	12.60	12.93	-35.78	-13.00	-22.78	V
5640.06	-34.36	13.10	17.11	-38.37	-13.00	-25.37	V
7520.18	-32.34	11.50	22.20	-43.04	-13.00	-30.04	V
LTE Band 2 / 3MHz / QPSK / RB Size 1 Offset 0/ The Worst Test Results for Highest							
Frequency(MHz)	S G.Lev (dBm)	Ant(dBi)	Loss	PMea	Limit	Margin	Polarity
			(dB)	(dBm)	(dBm)	(dB)	
3816.41	-33.55	12.60	12.93	-33.88	-13.00	-20.88	H
5724.95	-34.18	13.10	17.11	-38.19	-13.00	-25.19	H
7633.48	-32.48	11.50	22.20	-43.18	-13.00	-30.18	H
3816.41	-35.58	12.60	12.93	-35.91	-13.00	-22.91	V
5724.95	-34.05	13.10	17.11	-38.06	-13.00	-25.06	V
7633.48	-32.88	11.50	22.20	-43.58	-13.00	-30.58	V

Remark: Spurious emissions within 30-1000MHz were found more than 20dB below limit line.

Test is divided into three directions, X/Y/Z. X pattern for the worst.



LTE BAND 2

LTE Band 2 / 5MHz / QPSK / RB Size 1 Offset 0/ The Worst Test Results for Lowest							
Frequency(MHz)	S G.Lev (dBm)	Ant(dBi)	Loss	PMea	Limit	Margin	Polarity
			(dB)	(dBm)	(dBm)	(dB)	
3705.15	-34.74	12.60	12.93	-35.07	-13.00	-22.07	H
5558.05	-34.15	13.10	17.11	-38.16	-13.00	-25.16	H
7410.66	-32.90	11.50	22.20	-43.60	-13.00	-30.60	H
3705.15	-35.23	12.60	12.93	-35.56	-13.00	-22.56	V
5558.05	-33.98	13.10	17.11	-37.99	-13.00	-24.99	V
7410.66	-32.60	11.50	22.20	-43.30	-13.00	-30.30	V
LTE Band 2 / 5MHz / QPSK / RB Size 1 Offset 0/ The Worst Test Results for Middle							
Frequency(MHz)	S G.Lev (dBm)	Ant(dBi)	Loss	PMea	Limit	Margin	Polarity
			(dB)	(dBm)	(dBm)	(dB)	
3759.94	-33.73	12.60	12.93	-34.06	-13.00	-21.06	H
5639.86	-34.44	13.10	17.11	-38.45	-13.00	-25.45	H
7520.18	-33.19	11.50	22.20	-43.89	-13.00	-30.89	H
3759.94	-35.99	12.60	12.93	-36.32	-13.00	-23.32	V
5639.86	-35.07	13.10	17.11	-39.08	-13.00	-26.08	V
7520.18	-32.81	11.50	22.20	-43.51	-13.00	-30.51	V
LTE Band 2 / 5MHz / QPSK / RB Size 1 Offset 0/ The Worst Test Results for Highest							
Frequency(MHz)	S G.Lev (dBm)	Ant(dBi)	Loss	PMea	Limit	Margin	Polarity
			(dB)	(dBm)	(dBm)	(dB)	
3814.38	-34.83	12.60	12.93	-35.16	-13.00	-22.16	H
5721.40	-35.11	13.10	17.11	-39.12	-13.00	-26.12	H
7628.48	-32.78	11.50	22.20	-43.48	-13.00	-30.48	H
3814.38	-35.35	12.60	12.93	-35.68	-13.00	-22.68	V
5721.40	-34.71	13.10	17.11	-38.72	-13.00	-25.72	V
7628.48	-33.02	11.50	22.20	-43.72	-13.00	-30.72	V

Remark: Spurious emissions within 30-1000MHz were found more than 20dB below limit line.

Test is divided into three directions, X/Y/Z. X pattern for the worst.



LTE BAND 2

LTE Band 2 / 10MHz / QPSK / RB Size 1 Offset 0/ The Worst Test Results for Lowest							
Frequency(MHz)	S G.Lev (dBm)	Ant(dBi)	Loss	PMea	Limit	Margin	Polarity
			(dB)	(dBm)	(dBm)	(dB)	
3710.61	-34.89	12.60	12.93	-35.22	-13.00	-22.22	H
5565.95	-34.16	13.10	17.11	-38.17	-13.00	-25.17	H
7421.04	-33.62	11.50	22.20	-44.32	-13.00	-31.32	H
3710.61	-34.63	12.60	12.93	-34.96	-13.00	-21.96	V
5565.95	-34.61	13.10	17.11	-38.62	-13.00	-25.62	V
7421.04	-32.19	11.50	22.20	-42.89	-13.00	-29.89	V
LTE Band 2 / 10MHz / QPSK / RB Size 1 Offset 0/ The Worst Test Results for Middle							
Frequency(MHz)	S G.Lev (dBm)	Ant(dBi)	Loss	PMea	Limit	Margin	Polarity
			(dB)	(dBm)	(dBm)	(dB)	
3760.11	-34.63	12.60	12.93	-34.96	-13.00	-21.96	H
5639.93	-34.64	13.10	17.11	-38.65	-13.00	-25.65	H
7520.04	-33.65	11.50	22.20	-44.35	-13.00	-31.35	H
3760.11	-36.00	12.60	12.93	-36.33	-13.00	-23.33	V
5639.93	-34.48	13.10	17.11	-38.49	-13.00	-25.49	V
7520.04	-32.31	11.50	22.20	-43.01	-13.00	-30.01	V
LTE Band 2 / 10MHz / QPSK / RB Size 1 Offset 0/ The Worst Test Results for Highest							
Frequency(MHz)	S G.Lev (dBm)	Ant(dBi)	Loss	PMea	Limit	Margin	Polarity
			(dB)	(dBm)	(dBm)	(dB)	
3809.05	-33.84	12.60	12.93	-34.17	-13.00	-21.17	H
5713.87	-34.45	13.10	17.11	-38.46	-13.00	-25.46	H
7618.20	-33.54	11.50	22.20	-44.24	-13.00	-31.24	H
3809.05	-35.56	12.60	12.93	-35.89	-13.00	-22.89	V
5713.87	-33.84	13.10	17.11	-37.85	-13.00	-24.85	V
7618.20	-31.85	11.50	22.20	-42.55	-13.00	-29.55	V

Remark: Spurious emissions within 30-1000MHz were found more than 20dB below limit line.

Test is divided into three directions, X/Y/Z. X pattern for the worst.



LTE BAND 2

LTE Band 2 / 15MHz / QPSK / RB Size 1 Offset 0/ The Worst Test Results for Lowest							
Frequency(MHz)	S G.Lev (dBm)	Ant(dBi)	Loss	PMea	Limit	Margin	Polarity
			(dB)	(dBm)	(dBm)	(dB)	
3716.05	-34.91	12.60	12.93	-35.24	-13.00	-22.24	H
5574.20	-34.02	13.10	17.11	-38.03	-13.00	-25.03	H
7618.37	-33.11	11.50	22.20	-43.81	-13.00	-30.81	H
3716.05	-34.78	12.60	12.93	-35.11	-13.00	-22.11	V
5574.20	-34.80	13.10	17.11	-38.81	-13.00	-25.81	V
7618.37	-32.55	11.50	22.20	-43.25	-13.00	-30.25	V
LTE Band 2 / 15MHz / QPSK / RB Size 1 Offset 0/ The Worst Test Results for Middle							
Frequency(MHz)	S G.Lev (dBm)	Ant(dBi)	Loss	PMea	Limit	Margin	Polarity
			(dB)	(dBm)	(dBm)	(dB)	
3760.07	-34.86	12.60	12.93	-35.19	-13.00	-22.19	H
5639.97	-35.42	13.10	17.11	-39.43	-13.00	-26.43	H
7520.04	-32.49	11.50	22.20	-43.19	-13.00	-30.19	H
3760.07	-34.63	12.60	12.93	-34.96	-13.00	-21.96	V
5639.97	-34.53	13.10	17.11	-38.54	-13.00	-25.54	V
7520.04	-32.84	11.50	22.20	-43.54	-13.00	-30.54	V
LTE Band 2 / 15MHz / QPSK / RB Size 1 Offset 0/ The Worst Test Results for Highest							
Frequency(MHz)	S G.Lev (dBm)	Ant(dBi)	Loss	PMea	Limit	Margin	Polarity
			(dB)	(dBm)	(dBm)	(dB)	
3803.82	-34.19	12.60	12.93	-34.52	-13.00	-21.52	H
5705.50	-34.50	13.10	17.11	-38.51	-13.00	-25.51	H
7607.46	-32.41	11.50	22.20	-43.11	-13.00	-30.11	H
3803.82	-35.32	12.60	12.93	-35.65	-13.00	-22.65	V
5705.50	-34.33	13.10	17.11	-38.34	-13.00	-25.34	V
7607.46	-32.07	11.50	22.20	-42.77	-13.00	-29.77	V

Remark: Spurious emissions within 30-1000MHz were found more than 20dB below limit line.

Test is divided into three directions, X/Y/Z. X pattern for the worst.



LTE BAND 2

LTE Band 2 / 20MHz / QPSK / RB Size 1 Offset 0/ The Worst Test Results for Lowest							
Frequency(MHz)	S G.Lev (dBm)	Ant(dBi)	Loss	PMea	Limit	Margin	Polarity
			(dB)	(dBm)	(dBm)	(dB)	
3721.37	-33.99	12.60	12.93	-34.32	-13.00	-21.32	H
5581.44	-34.48	13.10	17.11	-38.49	-13.00	-25.49	H
7441.76	-33.55	11.50	22.20	-44.25	-13.00	-31.25	H
3721.37	-34.56	12.60	12.93	-34.89	-13.00	-21.89	V
5581.44	-34.57	13.10	17.11	-38.58	-13.00	-25.58	V
7441.76	-32.86	11.50	22.20	-43.56	-13.00	-30.56	V
LTE Band 2 / 20MHz / QPSK / RB Size 1 Offset 0/ The Worst Test Results for Middle							
Frequency(MHz)	S G.Lev (dBm)	Ant(dBi)	Loss	PMea	Limit	Margin	Polarity
			(dB)	(dBm)	(dBm)	(dB)	
3760.02	-34.28	12.60	12.93	-34.61	-13.00	-21.61	H
5639.98	-35.23	13.10	17.11	-39.24	-13.00	-26.24	H
7520.17	-32.20	11.50	22.20	-42.90	-13.00	-29.90	H
3760.02	-35.14	12.60	12.93	-35.47	-13.00	-22.47	V
5639.98	-34.53	13.10	17.11	-38.54	-13.00	-25.54	V
7520.17	-32.25	11.50	22.20	-42.95	-13.00	-29.95	V
LTE Band 2 / 20MHz / QPSK / RB Size 1 Offset 0/ The Worst Test Results for Highest							
Frequency(MHz)	S G.Lev (dBm)	Ant(dBi)	Loss	PMea	Limit	Margin	Polarity
			(dB)	(dBm)	(dBm)	(dB)	
3798.31	-33.67	12.60	12.93	-34.00	-13.00	-21.00	H
5697.27	-34.91	13.10	17.11	-38.92	-13.00	-25.92	H
7596.98	-33.56	11.50	22.20	-44.26	-13.00	-31.26	H
3798.31	-35.62	12.60	12.93	-35.95	-13.00	-22.95	V
5697.27	-34.57	13.10	17.11	-38.58	-13.00	-25.58	V
7596.98	-31.91	11.50	22.20	-42.61	-13.00	-29.61	V

Remark: Spurious emissions within 30-1000MHz were found more than 20dB below limit line.

Test is divided into three directions, X/Y/Z. X pattern for the worst.



LTE BAND 4

LTE Band 4 / 1.4MHz / QPSK / RB Size 1 Offset 0/ The Worst Test Results for Lowest							
Frequency(MHz)	S G.Lev (dBm)	Ant(dBi)	Loss	PMea	Limit	Margin	Polarity
			(dB)	(dBm)	(dBm)	(dB)	
3422.10	-33.75	12.90	12.56	-33.41	-13.00	-20.41	H
5133.34	-35.00	13.10	12.46	-34.36	-13.00	-21.36	H
6844.82	-32.44	12.33	21.13	-41.24	-13.00	-28.24	H
3422.10	-35.56	12.90	12.76	-35.42	-13.00	-22.42	V
5133.34	-33.95	13.10	16.32	-37.17	-13.00	-24.17	V
6844.82	-32.04	12.33	21.13	-40.84	-13.00	-27.84	V
LTE Band 4 / 1.4MHz / QPSK / RB Size 1 Offset 0/ The Worst Test Results for Middle							
Frequency(MHz)	S G.Lev (dBm)	Ant(dBi)	Loss	PMea	Limit	Margin	Polarity
			(dB)	(dBm)	(dBm)	(dB)	
3466.01	-34.60	12.80	12.56	-34.36	-13.00	-21.36	H
5199.26	-34.88	13.10	12.46	-34.24	-13.00	-21.24	H
6932.15	-33.59	12.33	21.13	-42.39	-13.00	-29.39	H
3466.01	-34.57	12.80	12.76	-34.53	-13.00	-21.53	V
5199.26	-34.91	13.10	16.32	-38.13	-13.00	-25.13	V
6932.15	-33.06	12.33	21.13	-41.86	-13.00	-28.86	V
LTE Band 4 / 1.4MHz / QPSK / RB Size 1 Offset 0/ The Worst Test Results for Highest							
Frequency(MHz)	S G.Lev (dBm)	Ant(dBi)	Loss	PMea	Limit	Margin	Polarity
			(dB)	(dBm)	(dBm)	(dB)	
3508.44	-33.54	12.61	12.56	-33.49	-13.00	-20.49	H
5262.09	-34.69	13.12	12.46	-34.03	-13.00	-21.03	H
7016.23	-32.75	12.32	21.13	-41.56	-13.00	-28.56	H
3508.44	-35.84	12.61	12.76	-35.99	-13.00	-22.99	V
5262.09	-35.02	13.12	16.32	-38.22	-13.00	-25.22	V
7016.23	-32.73	12.32	21.13	-41.54	-13.00	-28.54	V

Remark: Spurious emissions within 30-1000MHz were found more than 20dB below limit line.

Test is divided into three directions, X/Y/Z. X pattern for the worst.



LTE BAND 4

LTE Band 4 / 3MHz / QPSK / RB Size 1 Offset 0/ The Worst Test Results for Lowest							
Frequency(MHz)	S G.Lev (dBm)	Ant(dBi)	Loss	PMea	Limit	Margin	Polarity
			(dB)	(dBm)	(dBm)	(dB)	
3424.38	-33.79	12.90	12.56	-33.45	-13.00	-20.45	H
5136.65	-35.02	13.10	12.46	-34.38	-13.00	-21.38	H
6848.53	-33.19	12.33	21.13	-41.99	-13.00	-28.99	H
3424.38	-35.78	12.90	12.76	-35.64	-13.00	-22.64	V
5136.65	-34.15	13.10	16.32	-37.37	-13.00	-24.37	V
6848.53	-32.23	12.33	21.13	-41.03	-13.00	-28.03	V
LTE Band 4 / 3MHz / QPSK / RB Size 1 Offset 0/ The Worst Test Results for Middle							
Frequency(MHz)	S G.Lev (dBm)	Ant(dBi)	Loss	PMea	Limit	Margin	Polarity
			(dB)	(dBm)	(dBm)	(dB)	
3465.83	-33.67	12.80	12.56	-33.43	-13.00	-20.43	H
5199.30	-35.12	13.10	12.46	-34.48	-13.00	-21.48	H
6932.28	-33.46	12.33	21.13	-42.26	-13.00	-29.26	H
3465.83	-35.91	12.80	12.76	-35.87	-13.00	-22.87	V
5199.30	-34.66	13.10	16.32	-37.88	-13.00	-24.88	V
6932.28	-31.80	12.33	21.13	-40.60	-13.00	-27.60	V
LTE Band 4 / 3MHz / QPSK / RB Size 1 Offset 0/ The Worst Test Results for Highest							
Frequency(MHz)	S G.Lev (dBm)	Ant(dBi)	Loss	PMea	Limit	Margin	Polarity
			(dB)	(dBm)	(dBm)	(dB)	
3506.43	-34.37	12.61	12.56	-34.32	-13.00	-21.32	H
5262.05	-35.04	13.12	12.46	-34.38	-13.00	-21.38	H
7012.98	-33.08	12.32	21.13	-41.89	-13.00	-28.89	H
3506.43	-35.89	12.61	12.76	-36.04	-13.00	-23.04	V
5262.05	-34.63	13.12	16.32	-37.83	-13.00	-24.83	V
7012.98	-31.95	12.32	21.13	-40.76	-13.00	-27.76	V

Remark: Spurious emissions within 30-1000MHz were found more than 20dB below limit line.

Test is divided into three directions, X/Y/Z. X pattern for the worst.



LTE BAND 4

LTE Band 4 / 5MHz / QPSK / RB Size 1 Offset 0/ The Worst Test Results for Lowest							
Frequency(MHz)	S G.Lev (dBm)	Ant(dBi)	Loss	PMea	Limit	Margin	Polarity
			(dB)	(dBm)	(dBm)	(dB)	
3426.18	-34.01	12.90	12.56	-33.67	-13.00	-20.67	H
5139.67	-34.87	13.10	12.46	-34.23	-13.00	-21.23	H
6852.61	-33.51	12.33	21.13	-42.31	-13.00	-29.31	H
3426.18	-34.64	12.90	12.76	-34.50	-13.00	-21.50	V
5139.67	-34.06	13.10	16.32	-37.28	-13.00	-24.28	V
6852.61	-32.12	12.33	21.13	-40.92	-13.00	-27.92	V
LTE Band 4 / 5MHz / QPSK / RB Size 1 Offset 0/ The Worst Test Results for Middle							
Frequency(MHz)	S G.Lev (dBm)	Ant(dBi)	Loss	PMea	Limit	Margin	Polarity
			(dB)	(dBm)	(dBm)	(dB)	
3465.94	-34.77	12.80	12.56	-34.53	-13.00	-21.53	H
5198.90	-34.31	13.10	12.46	-33.67	-13.00	-20.67	H
6932.07	-32.84	12.33	21.13	-41.64	-13.00	-28.64	H
3465.94	-35.43	12.80	12.76	-35.39	-13.00	-22.39	V
5198.90	-34.49	13.10	16.32	-37.71	-13.00	-24.71	V
6932.07	-32.27	12.33	21.13	-41.07	-13.00	-28.07	V
LTE Band 4 / 5MHz / QPSK / RB Size 1 Offset 0/ The Worst Test Results for Highest							
Frequency(MHz)	S G.Lev (dBm)	Ant(dBi)	Loss	PMea	Limit	Margin	Polarity
			(dB)	(dBm)	(dBm)	(dB)	
3506.58	-34.29	12.61	12.56	-34.24	-13.00	-21.24	H
5262.23	-35.06	13.12	12.46	-34.40	-13.00	-21.40	H
7013.15	-32.87	12.32	21.13	-41.68	-13.00	-28.68	H
3506.58	-35.45	12.61	12.76	-35.60	-13.00	-22.60	V
5262.23	-33.77	13.12	16.32	-36.97	-13.00	-23.97	V
7013.15	-33.04	12.32	21.13	-41.85	-13.00	-28.85	V

Remark: Spurious emissions within 30-1000MHz were found more than 20dB below limit line.

Test is divided into three directions, X/Y/Z. X pattern for the worst.



LTE BAND 4

LTE Band 4 / 10MHz / QPSK / RB Size 1 Offset 0/ The Worst Test Results for Lowest							
Frequency(MHz)	S G.Lev (dBm)	Ant(dBi)	Loss	PMea	Limit	Margin	Polarity
			(dB)	(dBm)	(dBm)	(dB)	
3436.12	-34.76	12.90	12.56	-34.42	-13.00	-21.42	H
5154.65	-34.52	13.10	12.46	-33.88	-13.00	-20.88	H
6872.88	-32.45	12.33	21.13	-41.25	-13.00	-28.25	H
3436.12	-35.47	12.90	12.76	-35.33	-13.00	-22.33	V
5154.65	-34.49	13.10	16.32	-37.71	-13.00	-24.71	V
6872.88	-32.09	12.33	21.13	-40.89	-13.00	-27.89	V
LTE Band 4 / 10MHz / QPSK / RB Size 1 Offset 0/ The Worst Test Results for Middle							
Frequency(MHz)	S G.Lev (dBm)	Ant(dBi)	Loss	PMea	Limit	Margin	Polarity
			(dB)	(dBm)	(dBm)	(dB)	
3466.11	-33.92	12.80	12.56	-33.68	-13.00	-20.68	H
5198.91	-35.19	13.10	12.46	-34.55	-13.00	-21.55	H
6931.81	-33.57	12.33	21.13	-42.37	-13.00	-29.37	H
3466.11	-35.51	12.80	12.76	-35.47	-13.00	-22.47	V
5198.91	-34.49	13.10	16.32	-37.71	-13.00	-24.71	V
6931.81	-32.14	12.33	21.13	-40.94	-13.00	-27.94	V
LTE Band 4 / 10MHz / QPSK / RB Size 1 Offset 0/ The Worst Test Results for Highest							
Frequency(MHz)	S G.Lev (dBm)	Ant(dBi)	Loss	PMea	Limit	Margin	Polarity
			(dB)	(dBm)	(dBm)	(dB)	
3494.59	-33.48	12.61	12.56	-33.43	-13.00	-20.43	H
5241.46	-34.19	13.12	12.46	-33.53	-13.00	-20.53	H
6988.02	-33.62	12.32	21.13	-42.43	-13.00	-29.43	H
3494.59	-35.46	12.61	12.76	-35.61	-13.00	-22.61	V
5241.46	-35.23	13.12	16.32	-38.43	-13.00	-25.43	V
6988.02	-32.94	12.32	21.13	-41.75	-13.00	-28.75	V

Remark: Spurious emissions within 30-1000MHz were found more than 20dB below limit line.

Test is divided into three directions, X/Y/Z. X pattern for the worst.



LTE BAND 4

LTE Band 4 / 15MHz / QPSK / RB Size 1 Offset 0/ The Worst Test Results for Lowest							
Frequency(MHz)	S G.Lev (dBm)	Ant(dBi)	Loss	PMea	Limit	Margin	Polarity
			(dB)	(dBm)	(dBm)	(dB)	
3436.45	-34.91	12.90	12.56	-34.57	-13.00	-21.57	H
5154.64	-34.39	13.10	12.46	-33.75	-13.00	-20.75	H
6872.66	-32.61	12.33	21.13	-41.41	-13.00	-28.41	H
3436.45	-34.67	12.90	12.76	-34.53	-13.00	-21.53	V
5154.64	-34.14	13.10	16.32	-37.36	-13.00	-24.36	V
6872.66	-32.60	12.33	21.13	-41.40	-13.00	-28.40	V
LTE Band 4 / 15MHz / QPSK / RB Size 1 Offset 0/ The Worst Test Results for Middle							
Frequency(MHz)	S G.Lev (dBm)	Ant(dBi)	Loss	PMea	Limit	Margin	Polarity
			(dB)	(dBm)	(dBm)	(dB)	
3465.98	-33.52	12.80	12.56	-33.28	-13.00	-20.28	H
5199.06	-34.88	13.10	12.46	-34.24	-13.00	-21.24	H
6931.87	-32.24	12.33	21.13	-41.04	-13.00	-28.04	H
3465.98	-35.08	12.80	12.76	-35.04	-13.00	-22.04	V
5199.06	-34.63	13.10	16.32	-37.85	-13.00	-24.85	V
6931.87	-33.13	12.33	21.13	-41.93	-13.00	-28.93	V
LTE Band 4 / 15MHz / QPSK / RB Size 1 Offset 0/ The Worst Test Results for Highest							
Frequency(MHz)	S G.Lev (dBm)	Ant(dBi)	Loss	PMea	Limit	Margin	Polarity
			(dB)	(dBm)	(dBm)	(dB)	
3494.45	-34.20	12.61	12.56	-34.15	-13.00	-21.15	H
5242.04	-34.99	13.12	12.46	-34.33	-13.00	-21.33	H
6989.52	-33.36	12.32	21.13	-42.17	-13.00	-29.17	H
3494.45	-35.75	12.61	12.76	-35.90	-13.00	-22.90	V
5242.04	-34.80	13.12	16.32	-38.00	-13.00	-25.00	V
6989.52	-32.09	12.32	21.13	-40.90	-13.00	-27.90	V

Remark: Spurious emissions within 30-1000MHz were found more than 20dB below limit line.

Test is divided into three directions, X/Y/Z. X pattern for the worst.



LTE BAND 4

LTE Band 4 / 20MHz / QPSK / RB Size 1 Offset 0/ The Worst Test Results for Lowest							
Frequency(MHz)	S G.Lev (dBm)	Ant(dBi)	Loss	PMea	Limit	Margin	Polarity
			(dB)	(dBm)	(dBm)	(dB)	
3440.08	-34.87	12.90	12.56	-34.53	-13.00	-21.53	H
5160.35	-34.57	13.10	12.46	-33.93	-13.00	-20.93	H
6880.47	-32.38	12.33	21.13	-41.18	-13.00	-28.18	H
3440.08	-35.77	12.90	12.76	-35.63	-13.00	-22.63	V
5160.35	-34.31	13.10	16.32	-37.53	-13.00	-24.53	V
6880.47	-31.95	12.33	21.13	-40.75	-13.00	-27.75	V
LTE Band 4 / 20MHz / QPSK / RB Size 1 Offset 0/ The Worst Test Results for Middle							
Frequency(MHz)	S G.Lev (dBm)	Ant(dBi)	Loss	PMea	Limit	Margin	Polarity
			(dB)	(dBm)	(dBm)	(dB)	
3465.94	-34.54	12.80	12.56	-34.30	-13.00	-21.30	H
5199.25	-35.40	13.10	12.46	-34.76	-13.00	-21.76	H
6931.88	-33.55	12.33	21.13	-42.35	-13.00	-29.35	H
3465.94	-36.01	12.80	12.76	-35.97	-13.00	-22.97	V
5199.25	-34.08	13.10	16.32	-37.30	-13.00	-24.30	V
6931.88	-32.63	12.33	21.13	-41.43	-13.00	-28.43	V
LTE Band 4 / 20MHz / QPSK / RB Size 1 Offset 0/ The Worst Test Results for Highest							
Frequency(MHz)	S G.Lev (dBm)	Ant(dBi)	Loss	PMea	Limit	Margin	Polarity
			(dB)	(dBm)	(dBm)	(dB)	
3490.56	-33.60	12.61	12.56	-33.55	-13.00	-20.55	H
5235.50	-34.52	13.12	12.46	-33.86	-13.00	-20.86	H
6979.93	-33.24	12.32	21.13	-42.05	-13.00	-29.05	H
3490.56	-35.78	12.61	12.76	-35.93	-13.00	-22.93	V
5235.50	-34.88	13.12	16.32	-38.08	-13.00	-25.08	V
6979.93	-32.49	12.32	21.13	-41.30	-13.00	-28.30	V

Remark: Spurious emissions within 30-1000MHz were found more than 20dB below limit line.

Test is divided into three directions, X/Y/Z. X pattern for the worst.



LTE BAND 7

LTE Band 7 / 5MHz / QPSK / RB Size 1 Offset 0/ The Worst Test Results for Lowest							
Frequency(MHz)	S G.Lev (dBm)	Ant(dBi)	Loss	PMea	Limit	Margin	Polarity
			(dB)	(dBm)	(dBm)	(dB)	
5005.16	-34.22	12.66	12.54	-34.10	-25.00	-9.10	H
7507.88	-34.22	11.46	12.57	-35.33	-25.00	-10.33	H
10010.66	-33.26	12.79	21.23	-41.70	-25.00	-16.70	H
5005.16	-35.66	12.66	12.54	-35.54	-25.00	-10.54	V
7507.88	-35.02	11.46	12.57	-36.13	-25.00	-11.13	V
10010.66	-32.76	12.79	21.23	-41.20	-25.00	-16.20	V
LTE Band 7 / 5MHz / QPSK / RB Size 1 Offset 0/ The Worst Test Results for Middle							
Frequency(MHz)	S G.Lev (dBm)	Ant(dBi)	Loss	PMea	Limit	Margin	Polarity
			(dB)	(dBm)	(dBm)	(dB)	
5070.24	-34.22	12.72	12.55	-34.05	-25.00	-9.05	H
7604.98	-34.26	11.46	12.57	-35.37	-25.00	-10.37	H
10139.83	-32.42	12.09	21.25	-41.58	-25.00	-16.58	H
5070.24	-35.75	12.80	12.55	-35.50	-25.00	-10.50	V
7604.98	-33.78	13.10	12.57	-33.25	-25.00	-8.25	V
10139.83	-32.99	12.33	21.25	-41.91	-25.00	-16.91	V
LTE Band 7 / 5MHz / QPSK / RB Size 1 Offset 0/ The Worst Test Results for Highest							
Frequency(MHz)	S G.Lev (dBm)	Ant(dBi)	Loss	PMea	Limit	Margin	Polarity
			(dB)	(dBm)	(dBm)	(dB)	
5134.24	-34.90	12.76	12.57	-34.71	-25.00	-9.71	H
7701.22	-34.93	11.45	12.58	-36.06	-25.00	-11.06	H
10268.65	-33.34	12.28	21.27	-42.33	-25.00	-17.33	H
5134.24	-35.51	12.76	12.57	-35.32	-25.00	-10.32	V
7701.22	-34.26	11.45	12.58	-35.39	-25.00	-10.39	V
10268.65	-33.18	12.28	21.27	-42.17	-25.00	-17.17	V

Remark: Spurious emissions within 30-1000MHz were found more than 20dB below limit line.

Test is divided into three directions, X/Y/Z. X pattern for the worst.



LTE BAND 7

LTE Band 7 / 10MHz / QPSK / RB Size 1 Offset 0/ The Worst Test Results for Lowest							
Frequency(MHz)	S G.Lev (dBm)	Ant(dBi)	Loss	PMea	Limit	Margin	Polarity
			(dB)	(dBm)	(dBm)	(dB)	
5010.41	-34.69	12.66	12.54	-34.57	-25.00	-9.57	H
7515.55	-34.86	11.46	12.57	-35.97	-25.00	-10.97	H
10021.09	-33.54	12.79	21.23	-41.98	-25.00	-16.98	H
5010.41	-35.56	12.66	12.54	-35.44	-25.00	-10.44	V
7515.55	-35.10	11.46	12.57	-36.21	-25.00	-11.21	V
10021.09	-32.56	12.79	21.23	-41.00	-25.00	-16.00	V
LTE Band 7 / 10MHz / QPSK / RB Size 1 Offset 0/ The Worst Test Results for Middle							
Frequency(MHz)	S G.Lev (dBm)	Ant(dBi)	Loss	PMea	Limit	Margin	Polarity
			(dB)	(dBm)	(dBm)	(dB)	
5069.99	-34.22	12.72	12.55	-34.05	-25.00	-9.05	H
7605.09	-34.17	11.46	12.57	-35.28	-25.00	-10.28	H
10139.85	-33.36	12.09	21.25	-42.52	-25.00	-17.52	H
5069.99	-35.90	12.80	12.55	-35.65	-25.00	-10.65	V
7605.09	-34.13	13.10	12.57	-33.60	-25.00	-8.60	V
10139.85	-32.17	12.33	21.25	-41.09	-25.00	-16.09	V
LTE Band 7 / 10MHz / QPSK / RB Size 1 Offset 0/ The Worst Test Results for Highest							
Frequency(MHz)	S G.Lev (dBm)	Ant(dBi)	Loss	PMea	Limit	Margin	Polarity
			(dB)	(dBm)	(dBm)	(dB)	
5129.47	-33.70	12.76	12.57	-33.51	-25.00	-8.51	H
7694.60	-34.60	11.45	12.58	-35.73	-25.00	-10.73	H
10258.82	-33.12	12.28	21.27	-42.11	-25.00	-17.11	H
5129.47	-35.01	12.76	12.57	-34.82	-25.00	-9.82	V
7694.60	-34.05	11.45	12.58	-35.18	-25.00	-10.18	V
10258.82	-31.94	12.28	21.27	-40.93	-25.00	-15.93	V

Remark: Spurious emissions within 30-1000MHz were found more than 20dB below limit line.

Test is divided into three directions, X/Y/Z. X pattern for the worst.



LTE BAND 7

LTE Band 7 / 15MHz / QPSK / RB Size 1 Offset 0/ The Worst Test Results for Lowest							
Frequency(MHz)	S G.Lev (dBm)	Ant(dBi)	Loss	PMea	Limit	Margin	Polarity
			(dB)	(dBm)	(dBm)	(dB)	
5015.98	-33.78	12.66	12.54	-33.66	-25.00	-8.66	H
7524.14	-35.43	11.46	12.57	-36.54	-25.00	-11.54	H
10032.01	-33.57	12.79	21.23	-42.01	-25.00	-17.01	H
5015.98	-35.88	12.66	12.54	-35.76	-25.00	-10.76	V
7524.14	-34.40	11.46	12.57	-35.51	-25.00	-10.51	V
10032.01	-33.01	12.79	21.23	-41.45	-25.00	-16.45	V
LTE Band 7 / 15MHz / QPSK / RB Size 1 Offset 0/ The Worst Test Results for Middle							
Frequency(MHz)	S G.Lev (dBm)	Ant(dBi)	Loss	PMea	Limit	Margin	Polarity
			(dB)	(dBm)	(dBm)	(dB)	
5070.23	-33.83	12.72	12.55	-33.66	-25.00	-8.66	H
7605.04	-35.15	11.46	12.57	-36.26	-25.00	-11.26	H
10140.23	-33.32	12.09	21.25	-42.48	-25.00	-17.48	H
5070.23	-34.90	12.80	12.55	-34.65	-25.00	-9.65	V
7605.04	-33.83	13.10	12.57	-33.30	-25.00	-8.30	V
10140.23	-32.94	12.33	21.25	-41.86	-25.00	-16.86	V
LTE Band 7 / 15MHz / QPSK / RB Size 1 Offset 0/ The Worst Test Results for Highest							
Frequency(MHz)	S G.Lev (dBm)	Ant(dBi)	Loss	PMea	Limit	Margin	Polarity
			(dB)	(dBm)	(dBm)	(dB)	
5123.74	-33.48	12.76	12.57	-33.29	-25.00	-8.29	H
7524.17	-34.43	11.45	12.58	-35.56	-25.00	-10.56	H
10032.04	-32.17	12.28	21.27	-41.16	-25.00	-16.16	H
5123.74	-34.77	12.76	12.57	-34.58	-25.00	-9.58	V
7524.17	-34.53	11.45	12.58	-35.66	-25.00	-10.66	V
10032.04	-32.51	12.28	21.27	-41.50	-25.00	-16.50	V

Remark: Spurious emissions within 30-1000MHz were found more than 20dB below limit line.

Test is divided into three directions, X/Y/Z. X pattern for the worst.



LTE BAND 7

LTE Band 7 / 20MHz / QPSK / RB Size 1 Offset 0/ The Worst Test Results for Lowest							
Frequency(MHz)	S G.Lev (dBm)	Ant(dBi)	Loss	PMea	Limit	Margin	Polarity
			(dB)	(dBm)	(dBm)	(dB)	
5021.08	-33.59	12.66	12.54	-33.47	-25.00	-8.47	H
7531.15	-34.57	11.46	12.57	-35.68	-25.00	-10.68	H
7524.22	-33.53	12.79	21.23	-41.97	-25.00	-16.97	H
5021.08	-35.96	12.66	12.54	-35.84	-25.00	-10.84	V
7531.15	-35.09	11.46	12.57	-36.20	-25.00	-11.20	V
7524.22	-32.18	12.79	21.23	-40.62	-25.00	-15.62	V
LTE Band 7 / 20MHz / QPSK / RB Size 1 Offset 0/ The Worst Test Results for Middle							
Frequency(MHz)	S G.Lev (dBm)	Ant(dBi)	Loss	PMea	Limit	Margin	Polarity
			(dB)	(dBm)	(dBm)	(dB)	
5070.05	-33.69	12.72	12.55	-33.52	-25.00	-8.52	H
7605.01	-35.35	11.46	12.57	-36.46	-25.00	-11.46	H
10140.17	-32.31	12.09	21.25	-41.47	-25.00	-16.47	H
5070.05	-34.65	12.80	12.55	-34.40	-25.00	-9.40	V
7605.01	-34.28	13.10	12.57	-33.75	-25.00	-8.75	V
10140.17	-32.87	12.33	21.25	-41.79	-25.00	-16.79	V
LTE Band 7 / 20MHz / QPSK / RB Size 1 Offset 0/ The Worst Test Results for Highest							
Frequency(MHz)	S G.Lev (dBm)	Ant(dBi)	Loss	PMea	Limit	Margin	Polarity
			(dB)	(dBm)	(dBm)	(dB)	
5119.05	-33.83	12.76	12.57	-33.64	-25.00	-8.64	H
7678.38	-35.22	11.45	12.58	-36.35	-25.00	-11.35	H
10238.00	-33.65	12.28	21.27	-42.64	-25.00	-17.64	H
5119.05	-34.96	12.76	12.57	-34.77	-25.00	-9.77	V
7678.38	-34.19	11.45	12.58	-35.32	-25.00	-10.32	V
10238.00	-32.62	12.28	21.27	-41.61	-25.00	-16.61	V

Remark: Spurious emissions within 30-1000MHz were found more than 20dB below limit line.
 Test is divided into three directions, X/Y/Z. X pattern for the worst.

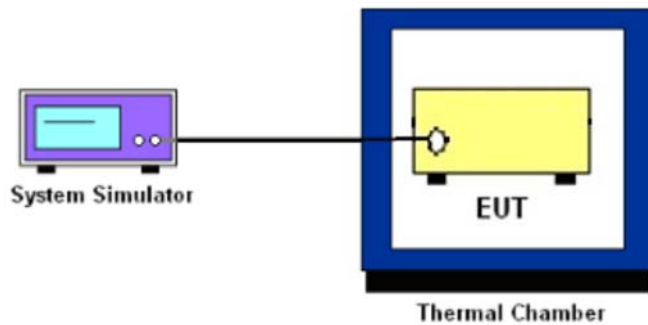
10. FREQUENCY STABILITY

10.1 DESCRIPTION OF FREQUENCY STABILITY MEASUREMENT

10.1.1 MEASUREMENT METHOD

The frequency stability shall be measured by variation of ambient temperature and variation of primary supply voltage to ensure that the fundamental emission stays within the authorized frequency block. The frequency stability of the transmitter shall be maintained within $\pm 0.00025\%$ ($\pm 2.5\text{ppm}$) of the center frequency.

10.1.2 Test Setup



10.1.3 TEST PROCEDURES FOR TEMPERATURE VARIATION

1. The EUT was set up in the thermal chamber and connected with the system simulator.
2. With power OFF, the temperature was decreased to -30°C and the EUT was stabilized before testing. Power was applied and the maximum change in frequency was recorded within one minute.
3. With power OFF, the temperature was raised in 10°C step up to 50°C . The EUT was stabilized at each step for at least half an hour. Power was applied and the maximum frequency change was recorded within one minute.

10.1.4 TEST PROCEDURES FOR VOLTAGE VARIATION

1. The testing follows FCC KDB 971168 D01v01r03 Section 9.0.
2. The EUT was placed in a temperature chamber at $25\pm 5^{\circ}\text{C}$ and connected with the system simulator.
3. The power supply voltage to the EUT was varied from 85% to 115% of the nominal value measured at the input to the EUT.
4. The variation in frequency was measured for the worst case.



10.1.4 MEASUREMENT RESULT

LTE BAND 2

LTE Band 2 (QPSK) / 1880MHz / BW10M					
Temperature (°C)	Voltage	Freq. Dev.	Freq. Dev.	Limit	Result
	(Volt)	(Hz)	(ppm)		
50	Normal Voltage	30.51	0.016	2.5ppm	PASS
40		29.00	0.015		
30		30.44	0.016		
20		29.43	0.016		
10		32.14	0.017		
0		18.58	0.010		
-10		14.82	0.008		
-20		18.36	0.010		
-30		20.10	0.011		
25		Maximum Voltage	12.89		
25	BEP	23.61	0.013		

LTE Band 2 (QPSK) / 1880MHz / BW20M					
Temperature (°C)	Voltage	Freq. Dev.	Freq. Dev.	Limit	Result
	(Volt)	(Hz)	(ppm)		
50	Normal Voltage	23.68	0.013	2.5ppm	PASS
40		19.40	0.010		
30		17.75	0.009		
20		31.47	0.017		
10		14.09	0.007		
0		17.54	0.009		
-10		22.88	0.012		
-20		12.87	0.007		
-30		23.69	0.013		
25		Maximum Voltage	27.84		
25	BEP	35.87	0.019		

Note: 1. Normal Voltage = 3.8V. ; Battery End Point (BEP) = 3.3 V.; Maximum Voltage = 4.35 V

2. Note: The frequency fundamental emissions stay within the authorized frequency block based on the frequency deviation measured is small.



LTE BAND 4

LTE Band 4 (QPSK) / 1733MHz / BW10M					
Temperature (°C)	Voltage	Freq. Dev.	Freq. Dev.	Limit	Result
	(Volt)	(Hz)	(ppm)		
50	Normal Voltage	35.92	0.021	2.5ppm	PASS
40		19.96	0.012		
30		33.06	0.019		
20		36.08	0.021		
10		30.73	0.018		
0		11.95	0.007		
-10		13.02	0.008		
-20		27.19	0.016		
-30		16.26	0.009		
25		Maximum Voltage	33.01		
25	BEP	32.52	0.019		

LTE Band 4 (QPSK) / 1733MHz / BW20M					
Temperature (°C)	Voltage	Freq. Dev.	Freq. Dev.	Limit	Result
	(Volt)	(Hz)	(ppm)		
50	Normal Voltage	11.60	0.007	2.5ppm	PASS
40		34.33	0.020		
30		35.28	0.020		
20		17.37	0.010		
10		27.61	0.016		
0		29.26	0.017		
-10		33.43	0.019		
-20		30.68	0.018		
-30		11.94	0.007		
25		Maximum Voltage	21.83		
25	BEP	23.33	0.013		

Note: 1. Normal Voltage = 3.8V. ; Battery End Point (BEP) = 3.3 V.; Maximum Voltage = 4.35 V
 2. Note: The frequency fundamental emissions stay within the authorized frequency block based on the frequency deviation measured is small.



LTE BAND 7

LTE Band 7 (QPSK) / 2535MHz / BW10M					
Temperature (°C)	Voltage	Freq. Dev.	Freq. Dev.	Limit	Result
	(Volt)	(Hz)	(ppm)		
50	Normal Voltage	14.02	0.006	2.5ppm	PASS
40		35.52	0.014		
30		30.84	0.012		
20		13.40	0.005		
10		32.89	0.013		
0		17.27	0.007		
-10		29.16	0.012		
-20		14.98	0.006		
-30		34.39	0.014		
25		Maximum Voltage	15.62		
25	BEP	22.71	0.009		

LTE Band 7 (QPSK) / 2535MHz / BW20M					
Temperature (°C)	Voltage	Freq. Dev.	Freq. Dev.	Limit	Result
	(Volt)	(Hz)	(ppm)		
50	Normal Voltage	28.73	0.011	2.5ppm	PASS
40		28.41	0.011		
30		28.17	0.011		
20		13.50	0.005		
10		19.06	0.008		
0		13.44	0.005		
-10		27.72	0.011		
-20		22.70	0.009		
-30		21.73	0.009		
25		Maximum Voltage	19.99		
25	BEP	25.14	0.010		

Note: 1. Normal Voltage = 3.8V. ; Battery End Point (BEP) = 3.3V.; Maximum Voltage = 4.35 V
 2. Note: The frequency fundamental emissions stay within the authorized frequency block based on the frequency deviation measured is small.



PHOTOS OF TEST SETUP

Note: See test photos in setup photo document for the actual connections between Product and support equipment.

※※※※END OF THE REPORT※※※※

