

Note 1: Laser mark on shield top with: **FCC ID: TE6CM2202N IC: 4492A-CM2202N**

Note 2: R9, C4, C7, R3-R5 (Do not populate.)

Note 3: B1-2, SW1 mounted on bottom side of assembly.

Note 4: Place label with bar code and alphanumeric serial number. Corner overhang OK.

Warning: Maximum overhang along top and right side = 0.040".

Note 5: Place label with "BATTERY REPLACEMENT SEE INSTRUCTIONS". Corner overhang OK.

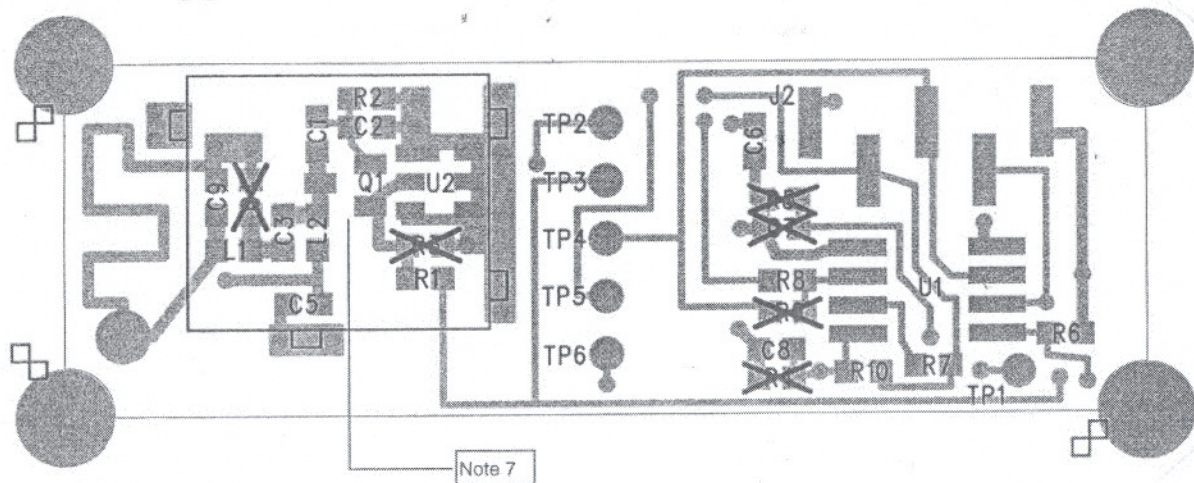
Warning: Maximum overhang on any edge except bottom = 0.040".

Note 6: Antenna must be parallel to PCB surface and edge within $\pm 5^\circ$ at assembly, $\pm 10^\circ$ at FLA.

Note 7: C1 and L2 solder pads may extend under plastic body of Q1.

Note 8: Tolerances on dimensions are as follows:

- Hole-to-Hole: $\pm .005$ "
- Hole-to-PCB edge: $+.010$ ", $-.000$ "
- PCB edge-to-PCB edge: $\pm .010$ "
- SMT component-to-PCB edge: $+.015$ ", $-.005$ "



SIZE

A

FSCM NO.

2U874

ASSEMBLY DIAGRAM, CM2202N

DWG NO.

453-2202-002

SCALE

NONE

ECN

18573

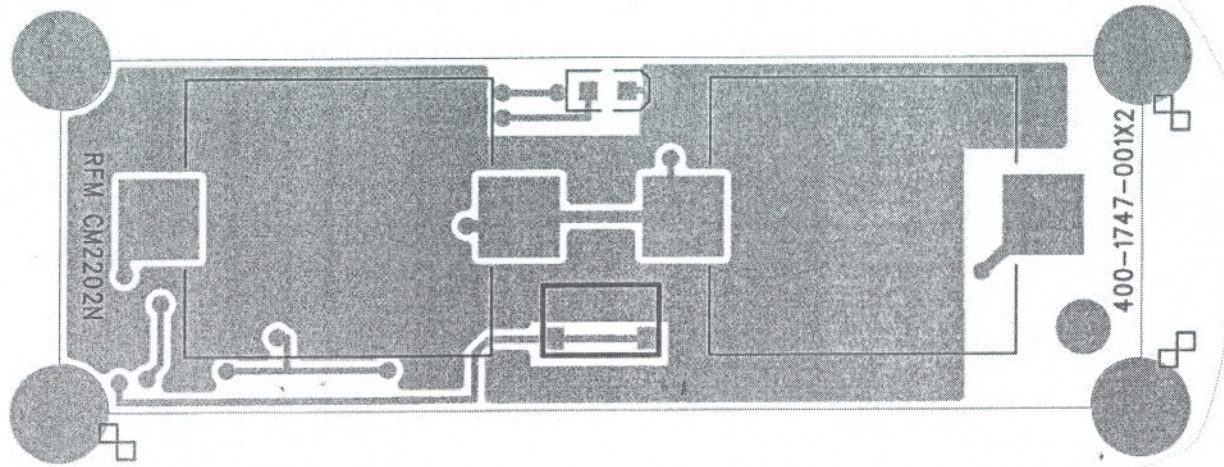
All information disclosed by this document is confidential and proprietary to RF Monolithics, Inc. All design, manufacture, use, reproduction and sales rights are reserved by RF Monolithics, Inc.

REV

J

SHEET

1 OF 4



SIZE

A

FSCM NO.

2U874

ASSEMBLY DIAGRAM, CM2202N

DWG NO.

453-2202-002

SCALE

NONE

ECN

18573

REV

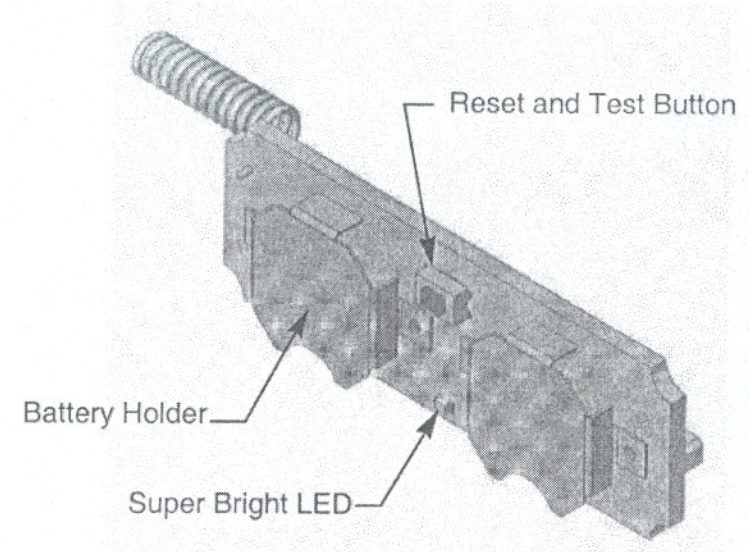
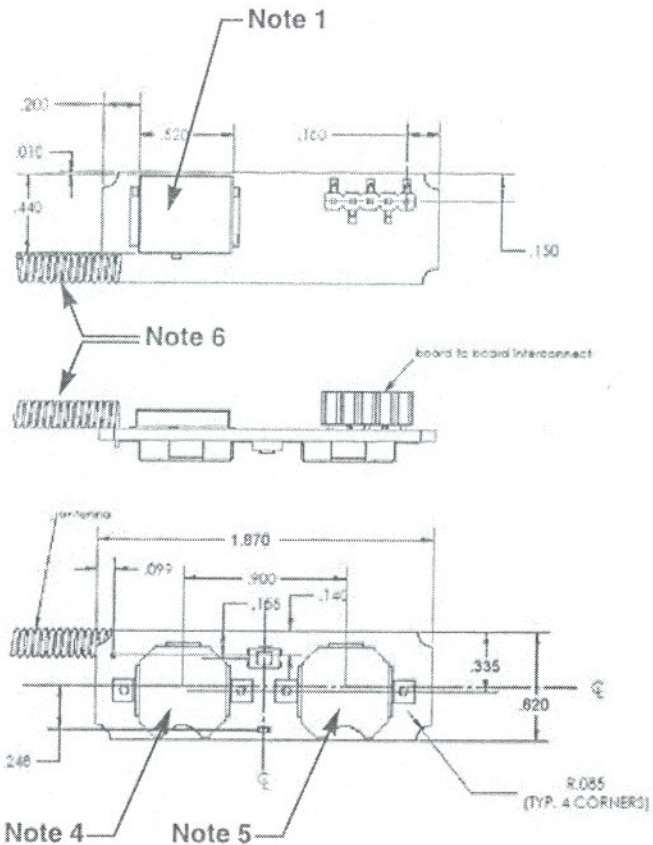
J

SHEET

2

OF

4



	SIZE	FSCM NO.	ASSEMBLY DIAGRAM, CM2202N	DWG NO.	453-2202-002	
	A	2U874		REV	J	SHEET
SCALE	NONE	ECN	18573			