

6

5

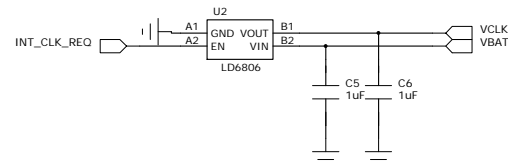
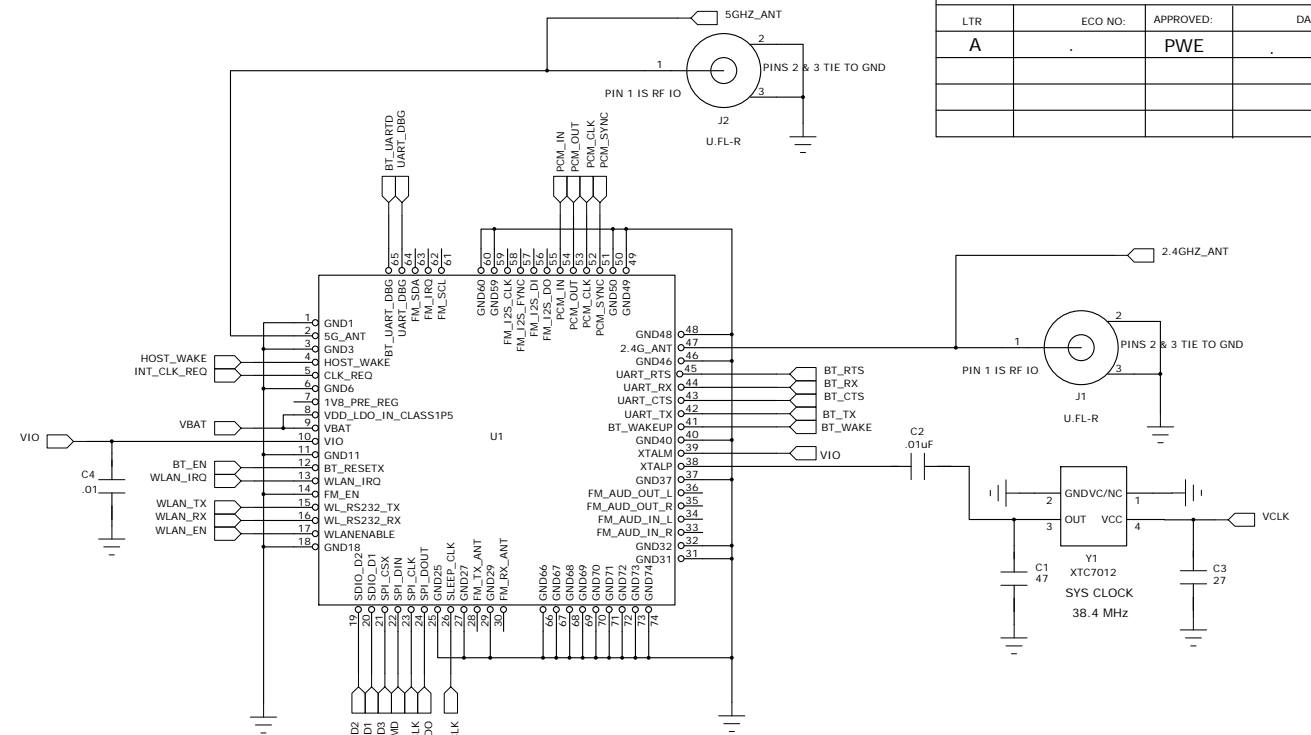
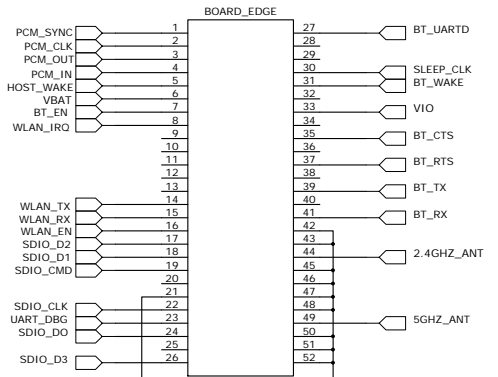
4

3

2

1

REVISION RECORD			
LTR	ECO NO:	APPROVED:	DATE:
A	.	PWE	.



COMPANY:				RF Monolithics							
TITLE:				Schematic, DR-WLS1273L-102							
DRAWN:		DATED:		CODE:		SIZE:		DRAWING NO:		REV:	
Patrick Evans		21may12		B		454-1273-503		A		A	
CHECKED:		DATED:		SCALE:		SHEET: 1 of 1					
QUALITY CONTROL:		DATED:									
RELEASED:		DATED:									

D

D

C

C

B

B

A

A