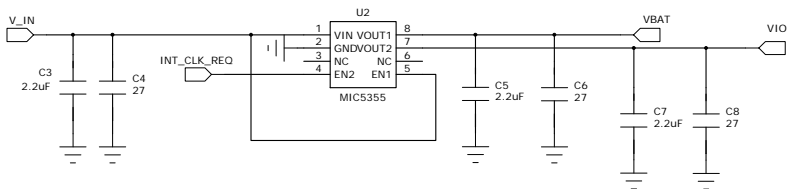
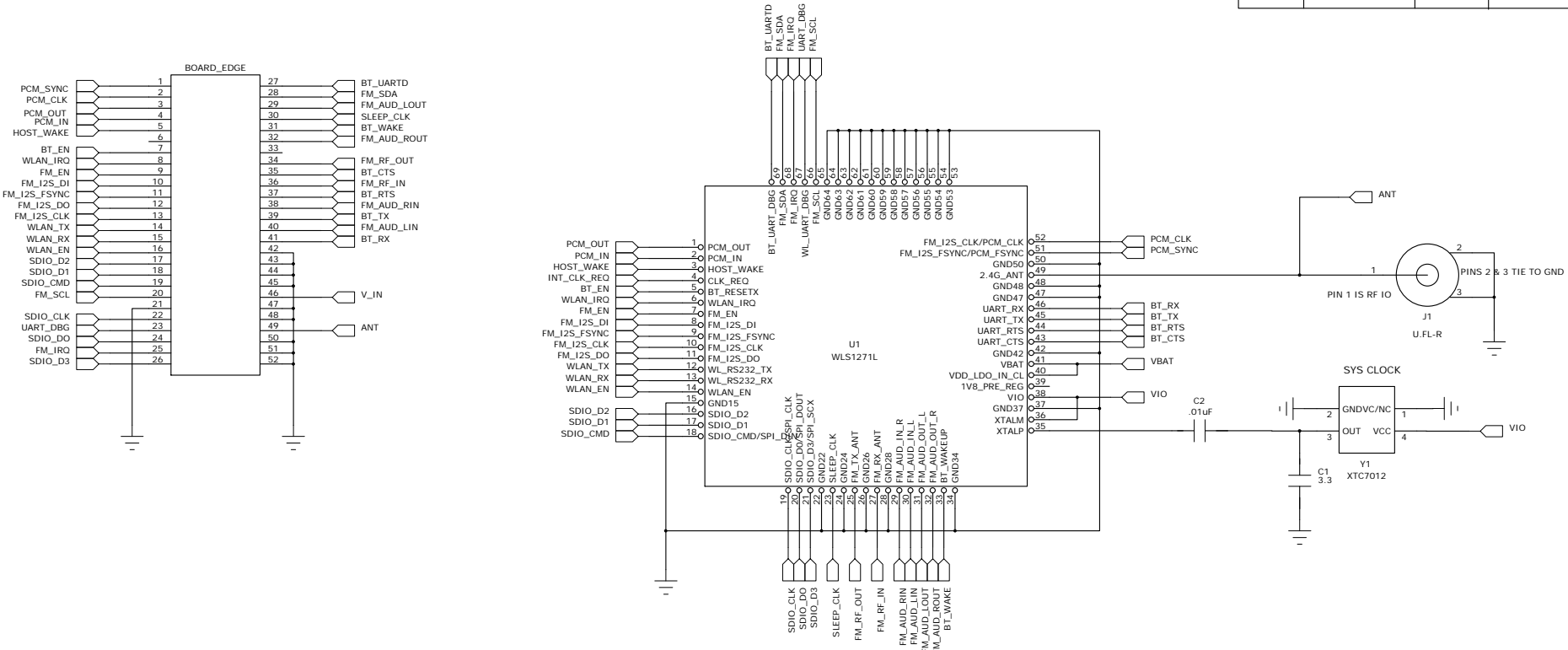


REVISION RECORD			
LTR	ECO NO:	APPROVED:	DATE:
A	20987	PWE	08may12



COMPANY:				RF Monolithics			
TITLE:				Schematic, DR-WLS1271L-102			
DRAWN:	Patrick Evans	DATED:	11apr12	CODE:	SIZE:	DRAWING NO:	REV:
CHECKED:		DATED:		B		454-1271-503	A
QUALITY CONTROL:		DATED:					
RELEASED:		DATED:					
SCALE:						SHEET: 1 of 1	