

Sphinx Electronics GmbH & Co KG

Tullastrasse 3 - 79341 Kenzingen
Phone +49 (0) 7644 / 9228-0 · Fax +49 (0) 7644 / 9228-92
info@sphinx-electronics.de · www.hafele.de

Sphinx Electronics GmbH & Co. KG - Tullastrasse 3 - 79341 Kenzingen

Benjamin Puls
Project Manager GMA

TÜV SÜD Product Service GmbH
Aussere Fruehlingstrasse 45
94315 Straubing
Deutschland / Germany

Office: +49 (0)9421 55 22 43
E-Mail: benjamin.puls@tuev-sued.de

Our Sign	Phone
861	+49 (0)7644/ 9228-61

Date
08.10.2018
Page 1/3

**Engineering Change Request (ECR) Okt-2018 – DT750 BLE
TCN015 + 5103A-015**

Modification of antenna pcb

Cause of the Modification: see description below

Please inform the TCB about this modification.

Let us know if you need more information / if there are further tasks to get the approval.

Thank you.

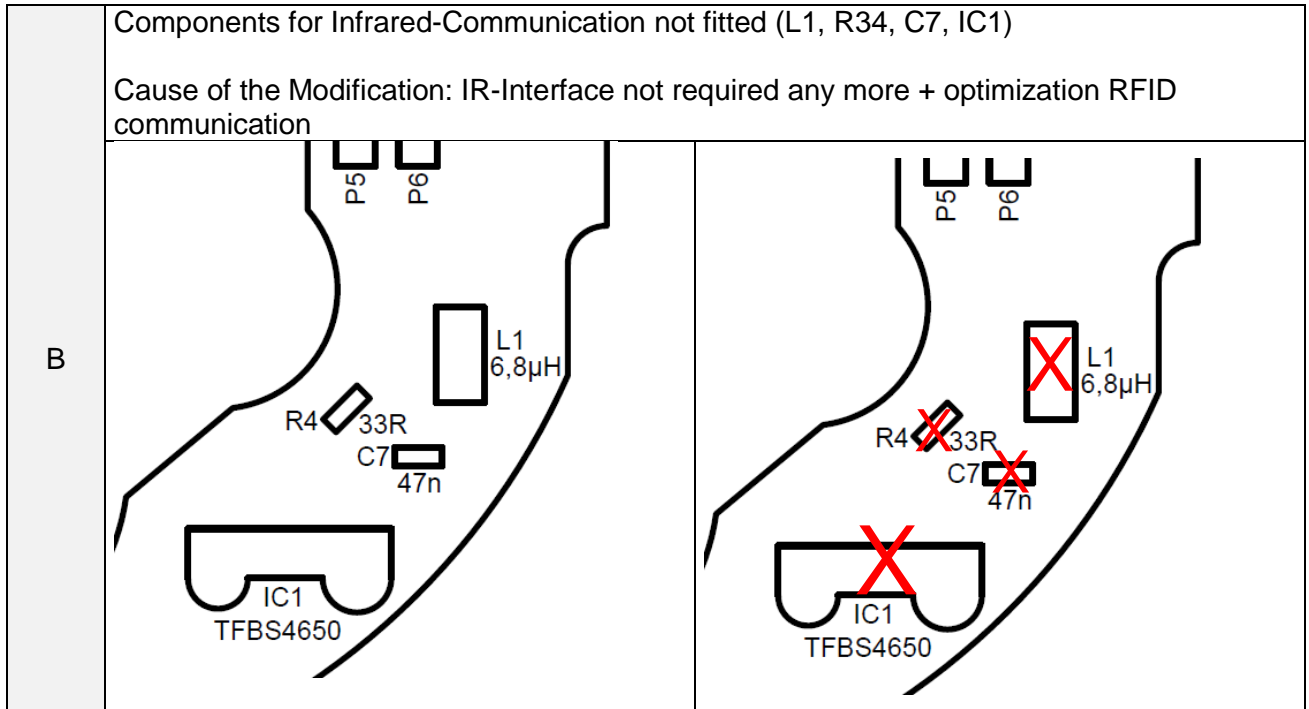
Best regards

Jan Römmelt

Attachments:

- History SHS-92_from_V1.2
- 3.164.022.20d Circuit diagram SHS-92 V1.4
- 3.164.022.32c Placement plan Top SHS-92 V1.3
- 3.164.022.34b Placement Coordinates SHS-92 V1.3.xlsx
- 3.164.022.60c BOM SHS-92 V1.3 (Escutcheon version).xlsx
- 3.164.022.60c BOM SHS-92 V1.3 (Rose version).xlsx

	Old	New
Part	SHS-90 V1.5	SHS-90 V1.5
A	No changes	
Part	SHS-92 V1.2	SHS-92 V1.4
A	<p>Changed order of P1 to P4</p> <p>Cause of the Modification: Better cable routing</p>	

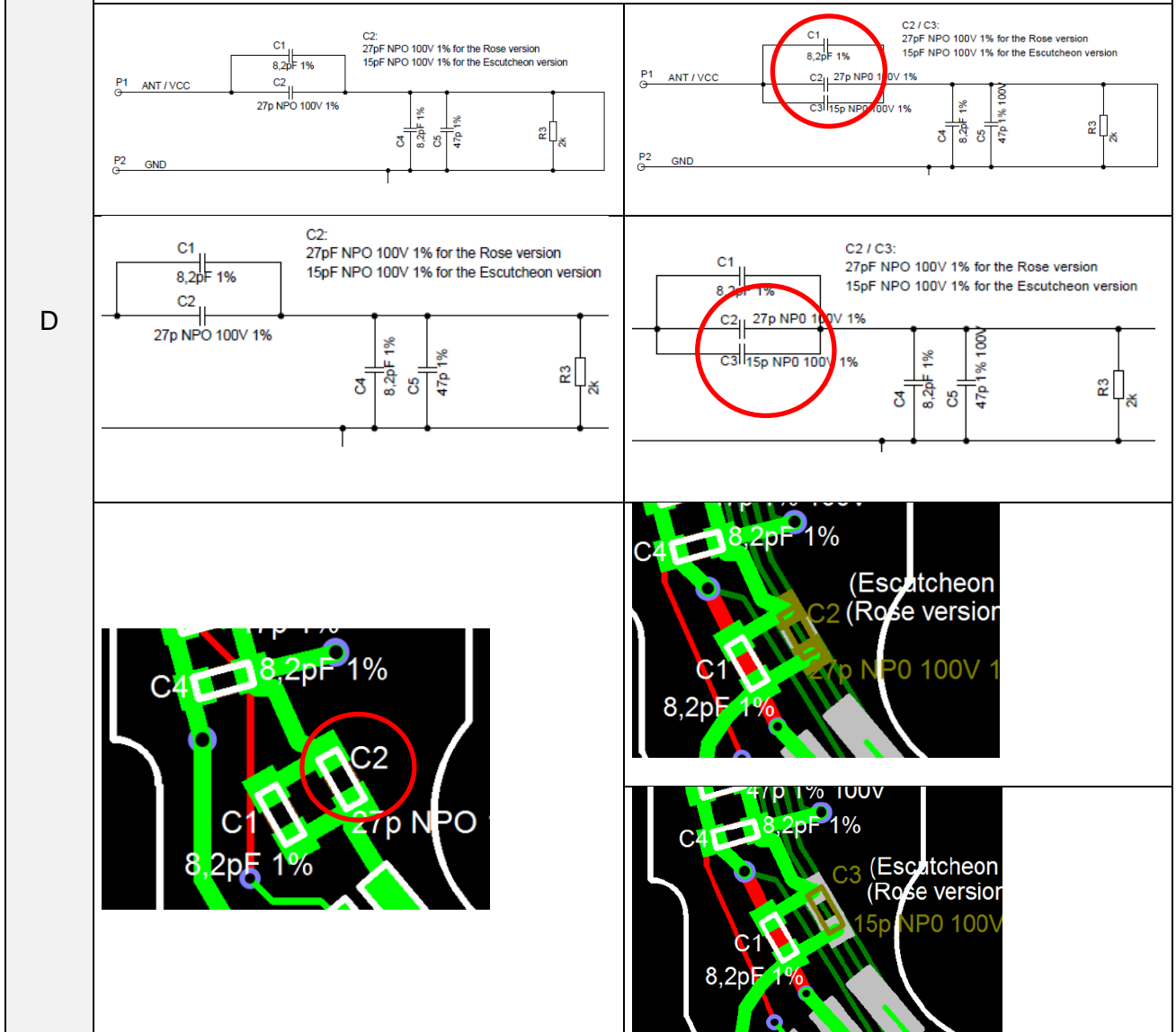


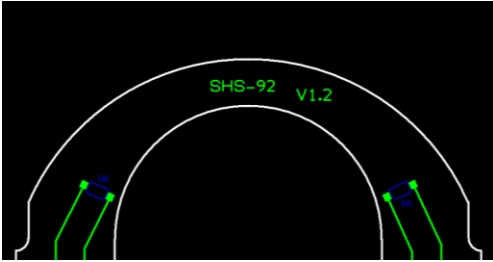
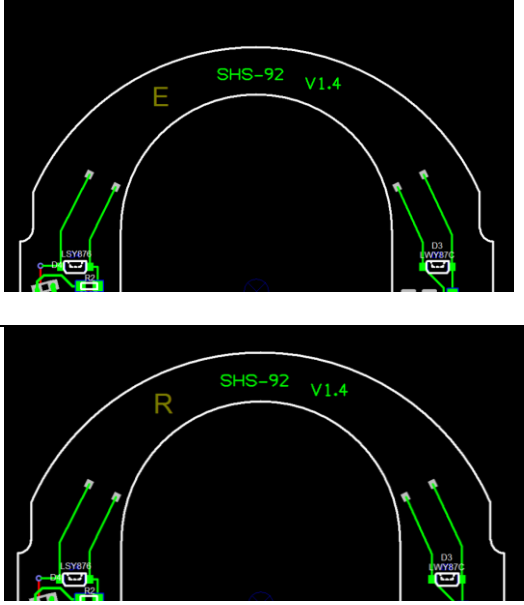
C3 for Escutcheon version added. C2 and C3 share the same pcb position. It is not possible to place both at the same time.

This change results in two different BOMs:

- 3.164.022.60c BOM SHS-92 V1.4 (Rose version)
 - C2 included
 - C3 not included
- 3.164.022.60c BOM SHS-92 V1.4 (Escutcheon version)
 - C2 not included
 - C3 included

Cause of modification: Optimization of BOM handling



E	added "E" / "R" in the silkscreen layer of the pcb Cause of modification: Optimization of pcb handling in production	
		
Part	SHS-94 V1.2	SHS-94 V1.2
A	No changes	