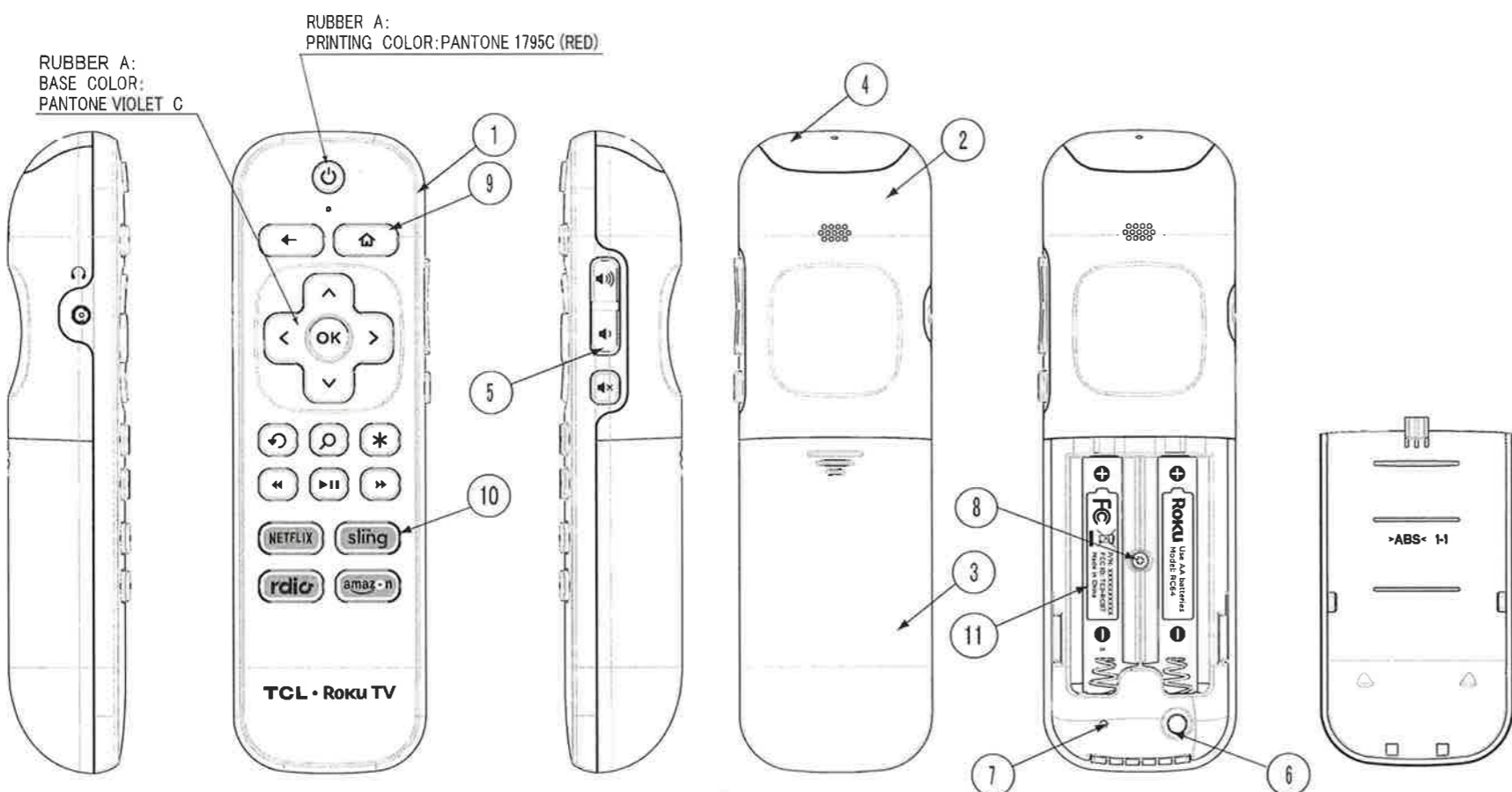


RXT9000-6401E (2/2)

MARK 記号	REVISTON 来歴	DATE 年月日	SIGN 担当	APP. 承認

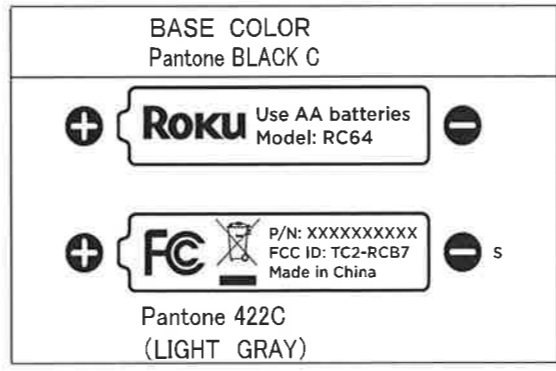
DG  
富



RUBBER SHEET B PRINTING COLOR DETAIL

Pantone 7541 C(Light Gray)	Pantone BLACK C(BLACK)	Pantone 285 C(Blue)	Pantone BLACK C(Black)
Pantone 1795 C (RED)	Text(BLUE): CMYK: C: 72;M:14;Y:1;K:0 Symbol(ORANGE) CMYK: C: 0;M:42;Y:99;K:0	Pantone White C	Pantone WHITE C Circle: Pantone 7489C (Green)

BT LABEL COLOR DETAIL



1 1	BT LABEL	YUPO WHITE	PANTONE BLACK C(Black) PANTONE 422 C(Light Gray)	
1 0	RUBBER SHEET B	SI PANTONE BLACK C	PANTONE WHITE C(White) PANTONE BLACK C(Black) PANTONE 1795 C(Red) PANTONE 285 C(Blue) PANTONE 7541 C(Light Gray) PANTONE 7489 C(Green) CMYK.C: 72;M:14;Y:1;K:0(Blue) CMYK.C: 0;M:42;Y:99;K:0(Orange)	MT-11000 SI COAT
9	RUBBER SHEET A	SI PANTONE BLACK C PANTONE VIOLET C	PANTONE 420 C(Light Gray) PANTONE 1795 C(Red)	SI COAT
8	SCREW	SWCH		PLATING (BLACK)
7	LED LENS	PC RESIN TRANSPARENT		SPI-A2
6	SW KNOB	ABS RESIN PANTONE BLACK C		SPI-A3
5	SIDE KEY SET	ABS RESIN PANTONE BLACK C	PANTONE 420 C(Light Gray)	SPI-A3 UV COAT
4	FILTER	ABS RESIN		
3	BATT.COVER	ABS RESIN PANTONE PROCSS BLACK C		MT-11520
2	CASE B	ABS RESIN PANTONE PROCSS BLACK C	PANTONE 420 C(Light Gray)	MT-11520
1	CASE A	ABS/PMMA RESIN PANTONE PROCSS BLACK C	PANTONE 877 C(Gray)	SPI-A2
ITEM 部番	NAME 名称	MATERIAL・MATERIAL COLOR 材料・材料色	PRINTING COLOR 印刷色	FINISH 処理

UNIT 単位	mm	SCALE 尺度	DESCRIPTION 名称	意匠図/EXTERNAL VIEW DRAWING 出図
APPROVED 承認	CHECKED 検図	DESIGNED 設計	ASSEMBLY- DRAWING	
		高田	DRAWING NO: RXT9000-6401E (2/2)	