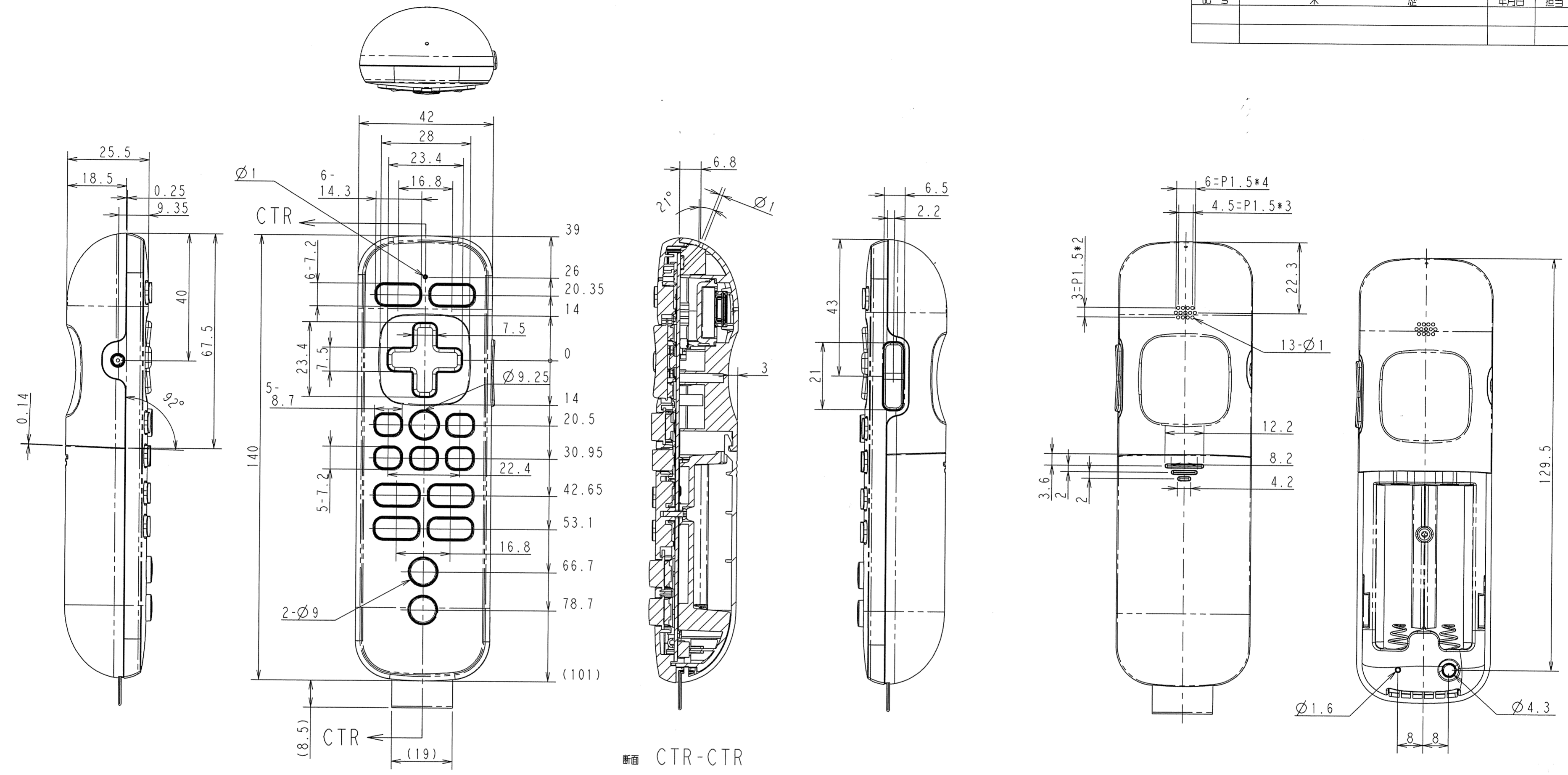


MARK 記号	REVISION 来歴	DATE 年月日	SIGN 担当	APP 承認



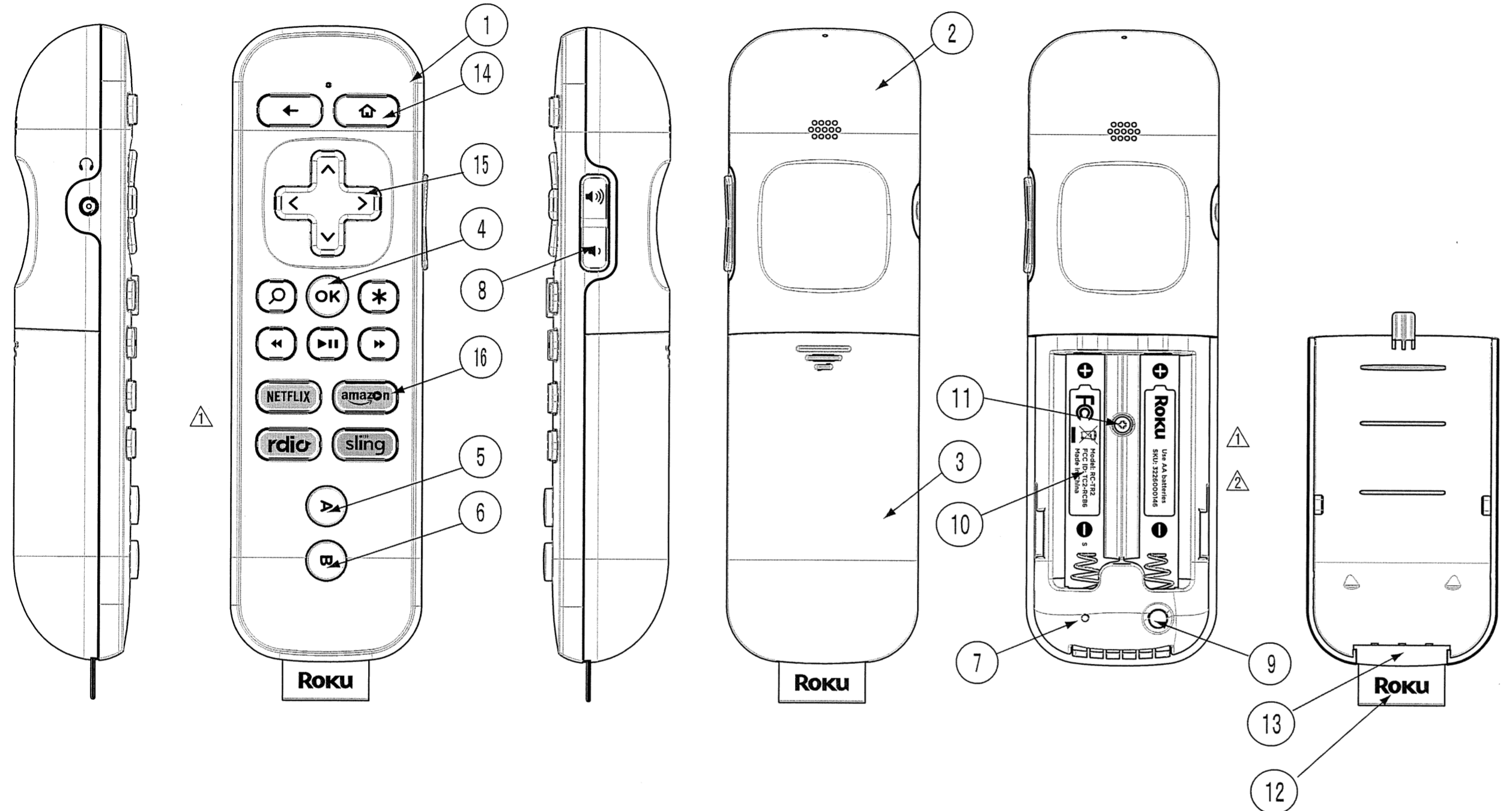
断面 CTR-CTR

- 仕様/SPECS
 1. 仕様書/SPECIFICATION sheet:
 RXT9000B6201E
 2. 外観図/EXTERNAL VIEW DRAWING:
 RXT9000-6201E(2/2)
 3. 部品構成表/PARTS LIST:
 RXT9000X6201E
 4. 回路図/CIRCUIT DIAGRAM:
 RXT9000F6201E
 5. 梱包図/PACKING DRAWING:
 RXT9000G6201E
 6. ロット表示: PWB上にラベル又は捺印にて表示
 LOT NO.: MARKING WITH LABEL OR SEAL ON THE PWB.
 □□□□—変更番号: A, B, C~
 ALTERNATION NO.: A, B, C~
 製造日: 01, 02, 03~31
 DAY OF MANUFACTURE: 01, 02, 03~31
 製造月: 01, 02, 03~12
 MONTH OF MANUFACTURE: 01, 02, 03~12
 西暦末年: 0, 1, 2~9
 LAST NUMERAL OF THE YEAR: 0, 1, 2~9

DIMENSIONS RANGE	TOLERANCE UNLESS SPECIFIED
$x \leq 4$	± 0.30
$4 < x \leq 16$	± 0.50
$16 < x \leq 63$	± 0.70
$63 < x$	± 1.20

ITEM	PART NO.	NAME	MATERIAL	FINISH	Q'TY	NOTE
UNIT	mm	SCALE 1:1				ISSUED SUPPLY SPECIFICATION
APPROVED	CHECKED	CTC	DESIGNED	ASSEMBLY-DRAWING		
15.6.22 伊藤	15.6.22 加藤	高田	15.6.22 吉岡	DRAWING NO. RXT9000-6201E(1/2)		
						DESIGN DEPT.

MARK 記号	REVISION 来 歴	DATE 年月日	SIGN 担当	APP. 承認
△ x5	Rubber B&Bt-Label 版下変更	15/05/15	SUN	
△ x5	Bt-Label 版下変更&NOTE 追加	15/06/17	SUN	



ITEM 部番	NAME 名称	MATERIAL - MATERIAL COLOR 材料・材料色	PRINTING COLOR 印刷色	FINISH 処理
16	RUBBER SHEET B	SI PANTONE BLACK C	PANTONE WHITE C(White) PANTONE BLACK C(Black) PANTONE 1795 C(Red) PANTONE 285 C(Blue) PANTONE 7541 C(Gray) PANTONE 7489 C(Green) CMYK:C:72;M:14;Y:1;K:0(Blue) CMYK:C:0;M:42;Y:99;K:0(Orange)	MT-11000 SI COAT
15	KEY TOP CURSOR	ABS RESIN PANTONE VIOLET C	PANTONE 420 C	SPI-A3 UV COAT
14	RUBBER SHEET A	SI PANTONE BLACK C	PANTONE 420 C	MT-11000 SI COAT
13	BRACKET	ABS RESIN PANTONE BLACK C		MT-11520
12	TAG	PA PANTONE VIOLET C	PANTONE WHITE C	
11	SCREW	SWCH		PLATING (BLACK)
10	BT LABEL	YUPO WHITE	PANTONE 422 C PANTONE BLACK C	
9	SW KNOB	ABS RESIN PANTONE BLACK C		SPI-A3
8	SIDE KEY TOP	ABS RESIN PANTONE BLACK C	PANTONE 420 C	SPI-A3 UV COAT
7	LED LENS	PC RESIN TRANSPARENT		SPI-A2
6	KEY TOP B	ABS RESIN PANTONE BLACK C	PANTONE 420 C	
5	KEY TOP A	ABS RESIN PANTONE BLACK C	PANTONE 420 C	SPI-A3 UV COAT
4	KEY TOP OK	ABS RESIN PANTONE VIOLET C	PANTONE 420 C	SPI-A3 UV COAT
3	BATT.COVER	ABS RESIN PANTONE PROCSS BLACK C		MT-11520
2	CASE B	ABS RESIN PANTONE PROCSS BLACK C	PANTONE 420 C	MT-11520
1	CASE A	ABS-PMMA RESIN PANTONE PROCSS BLACK C		SPI-A2

RUBBER SHEET B PRINTING COLOR DETAIL

Pantone WHITE C	Pantone 7541 C(Gray)	Pantone 285 C(Blue)	Pantone BLACK C(BLACK)
Pantone 1795 C (RED)	Pantone BLACK C(Black)	Pantone White C	Text (BLUE): CMYK: C:72;M:14;Y:1;K:0
			Symbol (ORANGE) CMYK: C:0;M:42;Y:99;K:0
	Circle(抜き文字印刷/ 镂空文字印刷): Pantone 7489C (Green)		

BT LABEL COLOR DETAIL

BASE COLOR Pantone BLACK C	
	Use AA batteries SKU: 3226000146
	Model: RC-TR2 FCC ID: TC2-RCB6 Made in China
Pantone 422C (LIGHT GRAY)	

UNIT 単位	SCALE 尺度	DESCRIPTION 名称	ISSUED 出
mm	1:1	意匠図/EXTERNAL VIEW DRAWING	SUPPLY SPECIFICATION
APPROVED 承認	CHECKED 検	DESIGNED 設計	DESIGN DEPT.
FC 15.7.03 伊藤	FC 15.7.03 高田	FC 15.7.03 伊藤	Sep.02.2015
DRAWING NO. 図番			RXT9000-6201E (2/2)