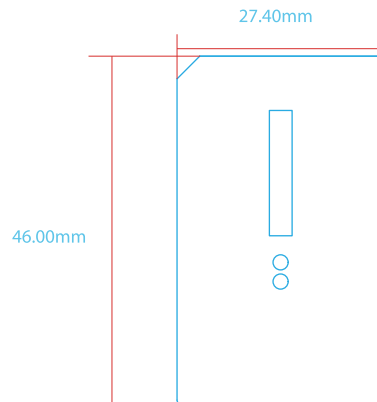
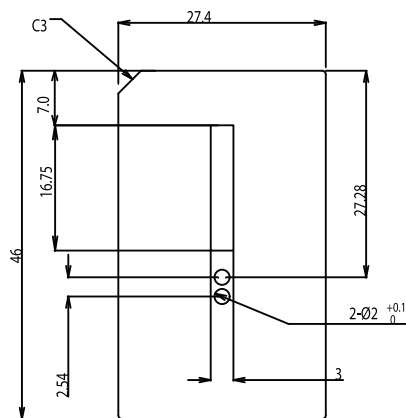


REV.	SHEETS REV'D	DESCRIPTION	DRAWN BY	DATE	CHECKED BY	DATE
01	ALL	INITIAL RELEASE	FOO	012821	STRAUSS	012821

NOTES UNLESS OTHERWISE SPECIFIED

- DO NOT SCALE; ARTWORK PLACEMENT 1:1
- LABEL MATERIAL: MYLAR
- CENTER ARTWORK OVER CENTERLINE
- COLOR: PMS BLACK C  
PMS 422 C
- PRINTING TOLERANCE  $\pm 0.2\text{MM}$



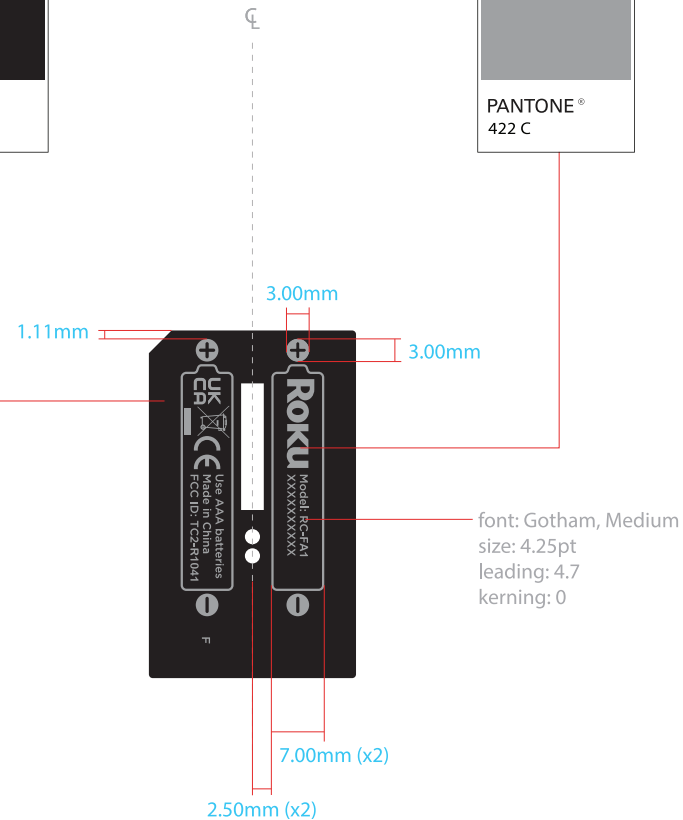
比例 1 : 1



PANTONE®  
Black C



PANTONE®  
422 C



font: Gotham, Medium  
size: 4.25pt  
leading: 4.7  
kerning: 0

ROKU PN	DESCRIPTION	ROKU REV.	012821	SHEET 1 OF 1	bould design
7031001861	LABEL, BATTERY, ELK / FALCON, RF, US, EU, MX	01			