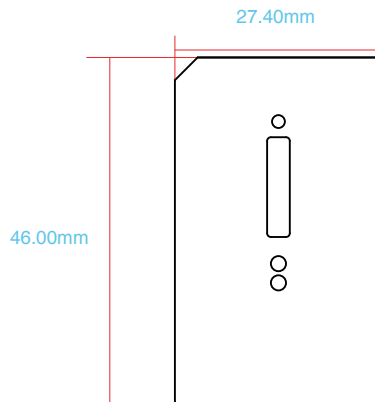
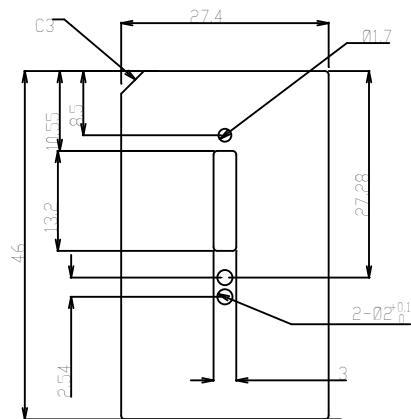


NOTES UNLESS OTHERWISE SPECIFIED

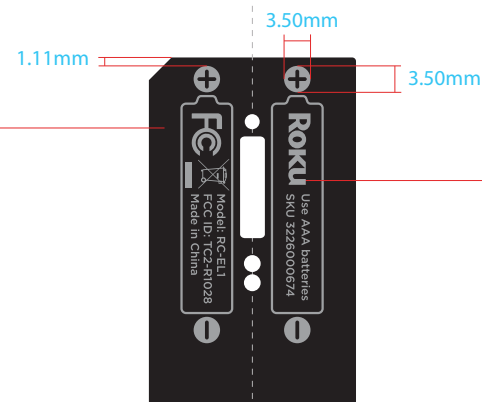
- 1 DO NOT SCALE; ARTWORK PLACEMENT 1:1
- 2 LABEL MATERIAL: MYLAR
- 3 CENTER ARTWORK OVER CENTERLINE
- 4 COLOR: PMS BLACK C
PMS 422 C
- 5 PRINTING TOLERANCE $\pm 0.2\text{MM}$

REV.	SHEETS REV'D	DESCRIPTION	DRAWN BY	DATE	CHECKED BY	DATE
A1	ALL	INITIAL RELEASE	WOLF	022119	WOLF	022119
A2	ALL	UPDATED DRAWINGS TO MATCH SUPPLIER REQUESTS	WOLF	032719	WOLF	032719

NOTES UNLESS OTHERWISE SPECIFIED



比例 1:1



比例 1:1

ROKU PN	DESCRIPTION	ROKU REV.	032719 SHEET 1 OF 1	bould design
7031001127	LABEL, BATTERY, ELK-1	A2		