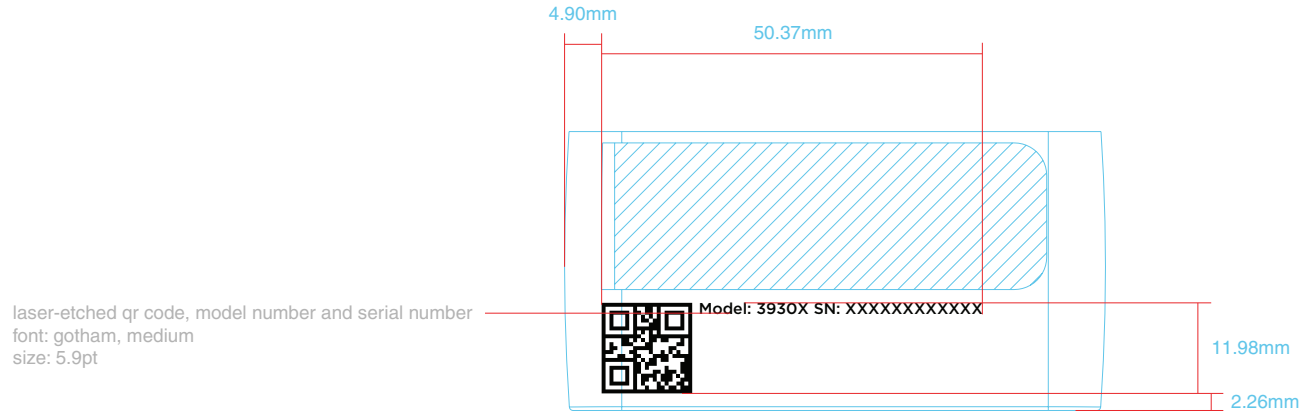


NOTES UNLESS OTHERWISE SPECIFIED

- 1 DO NOT SCALE; ARTWORK PLACEMENT 1:1
- 2 LASER-ETCHED MODEL AND SERIAL NUMBER
- 3 LASER-ETCH POSITION TOLERANCE $\pm 0.2\text{MM}$

REV.	SHEETS REV'D	DESCRIPTION	DRAWN BY	DATE	CHECKED BY	DATE
A1	ALL	INITIAL RELEASE	CANNAN	030419	WOLF	030419
A2	ALL	UPDATED ARTWORK TO CONTAIN QR CODE	CANNAN	031219	WOLF	031219
A3	ALL	UPDATED ARTWORK TO WORK WITH WEE SYMBOL	WOLF	060319	WOLF	060319
A4	ALL	UPDATED REV TO A4	WOLF	060419	WOLF	060419
A5	ALL	UPDATED QR CODE TO BE OUTLINED	WOLF	060619	WOLF	060619



ROKU PN	DESCRIPTION	ROKU REV.			
0002002733	ARTWORK, LASER ETCH, NEMO-0, 3930X	A5	060619	SHEET 1 OF 1	bould design

Model: 3930X

IC: 5959A-R1025

Label



Location: at the bottom of the EUT

