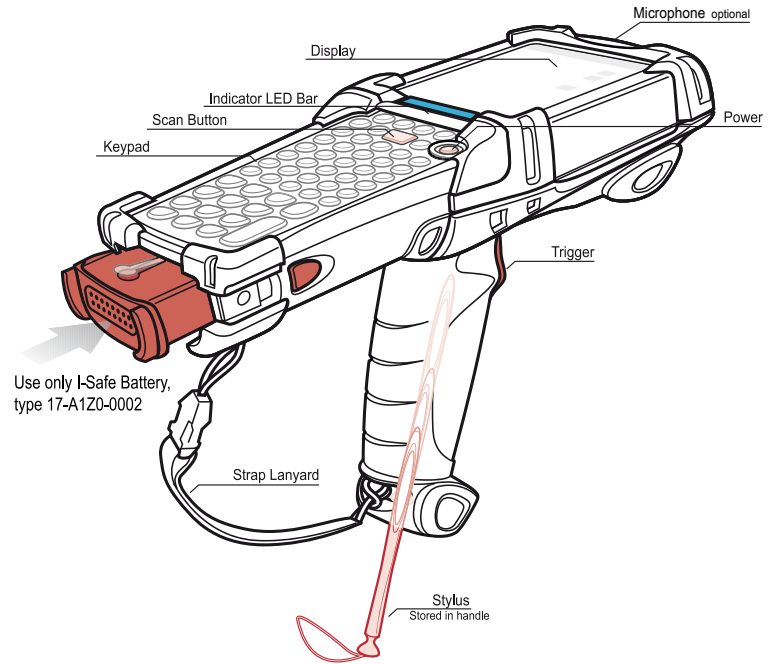
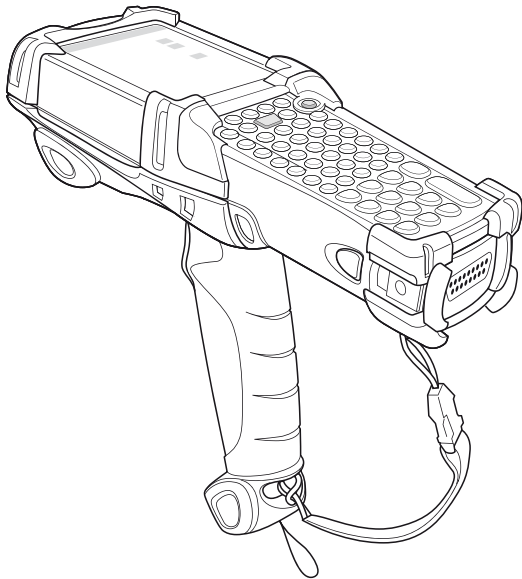


## MC 9060<sup>ex</sup>-G

### Quick Start Guide

See Product Reference Guide for more information

## Battery Insertion



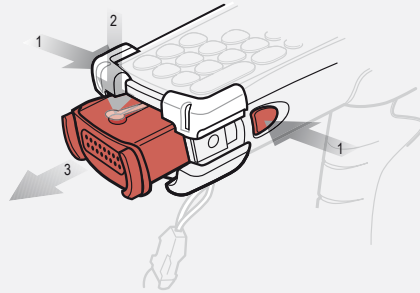
POST IN WORK AREA

## Battery Removal

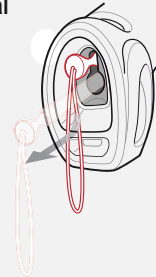
You are allowed to replace the battery in hazardous areas.



To charge the battery in hazardous areas is strictly prohibited.



## Stylus Removal

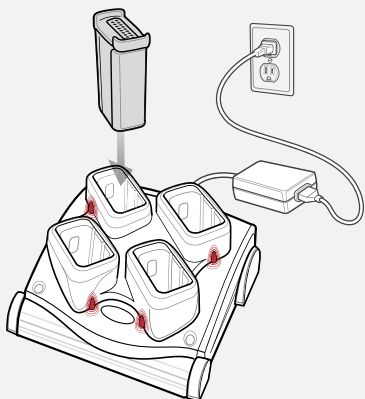


## Accessories for safe area

### Charging Instructions

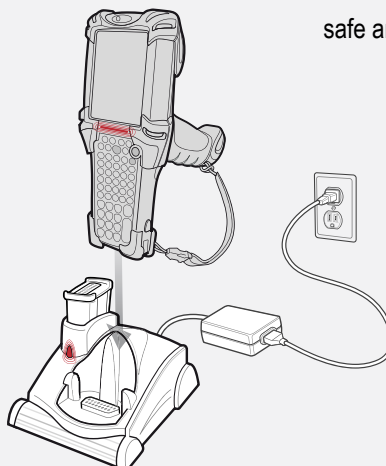
Slow Flash = Normal Charge    Solid Amber = Full Charge    Fast Flash = Charging Error    ● = LED Indicator Location

safe area



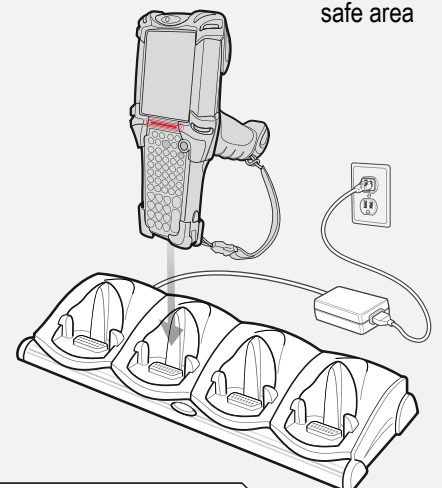
Four Slot Spare Battery Charger

safe area



Single Slot Serial Cradle

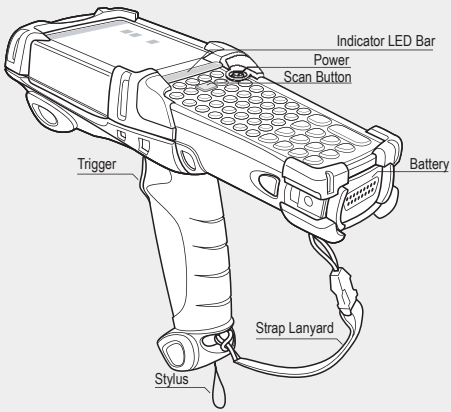
safe area



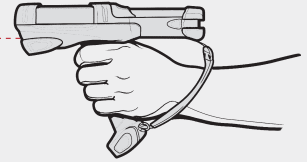
Four Slot Cradles

Charge-Only Cradle and Ethernet Cradle

Optimum Scanning Positions

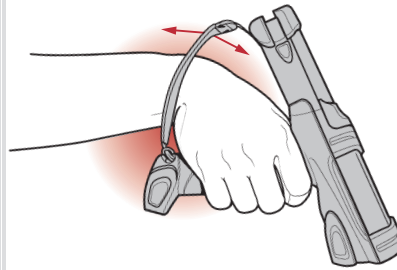


ALTERNATE LEFT AND RIGHT HANDS  
TAKING BREAKS AND TASK ROTATION RECOMMENDED



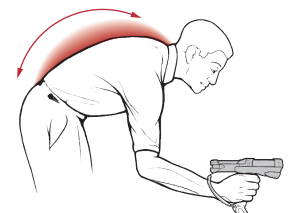
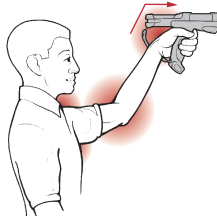
Optimum Upright Body Posture

Avoid Extreme Wrist Angles



Optimum Body Posture for Low Scanning

ALTERNATE LEFT AND RIGHT KNEES



POST IN WORK AREA