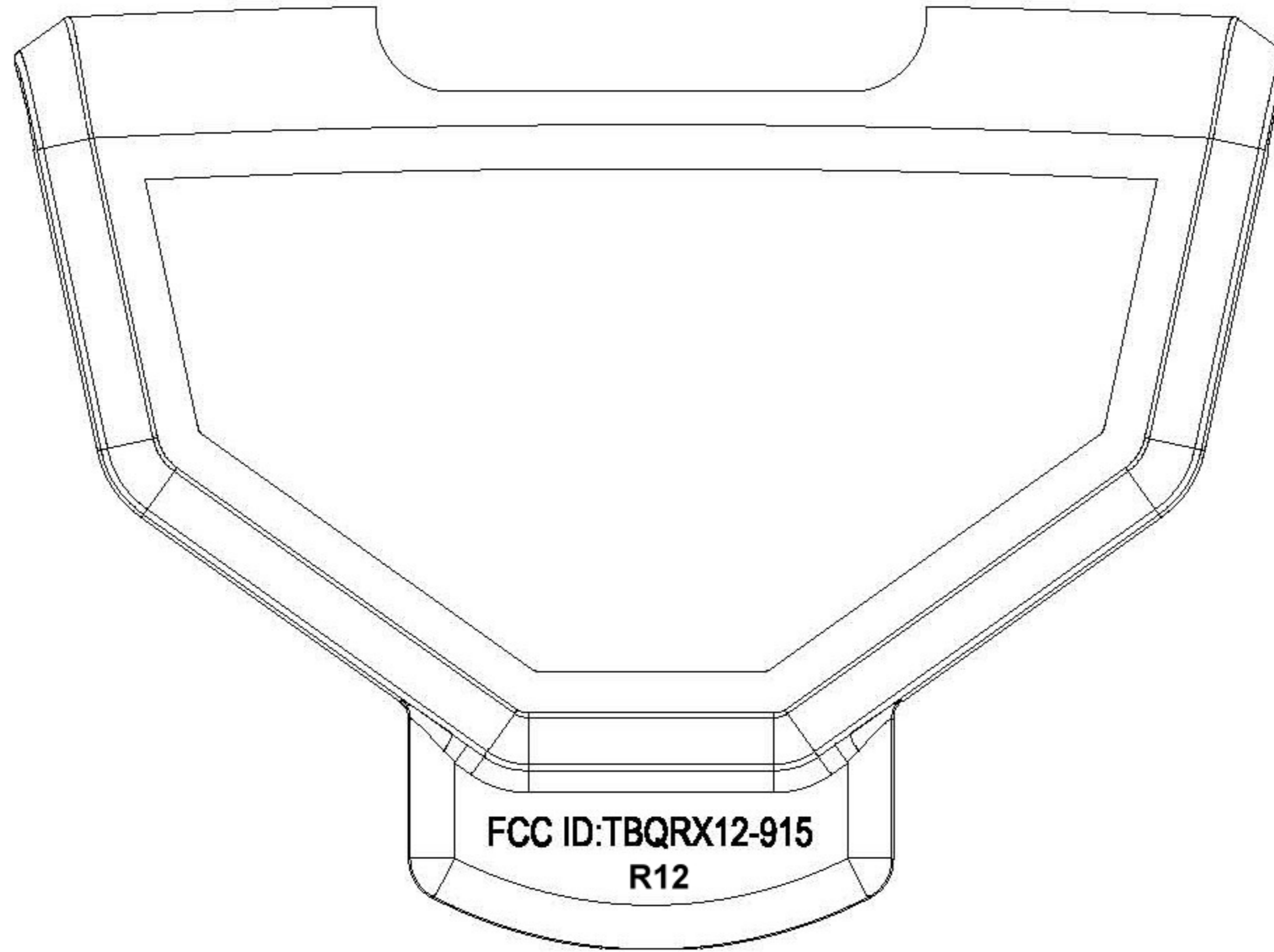


A B C D E F G H I J

REV.	DATE	DESCRIPTION	APP'D	CHECKED	DRAWER
01	2010/03/04				Amwenp



UNIT: MM	MATERIAL:	TITLE:			
TOLERANCE: 0. : ±0.3 0.0 : ±0.2 0.00: ±0.10 A* : ±1.0* Do not scale	FINISH:	PART NO:			
SCALE: 1 : 1	PROJECTION 	SIZE A4	DWG. NO.	SHEET NO: 1 OF 1	



A B C D E F G H I J