

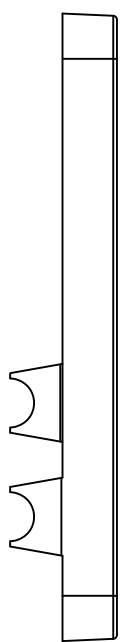
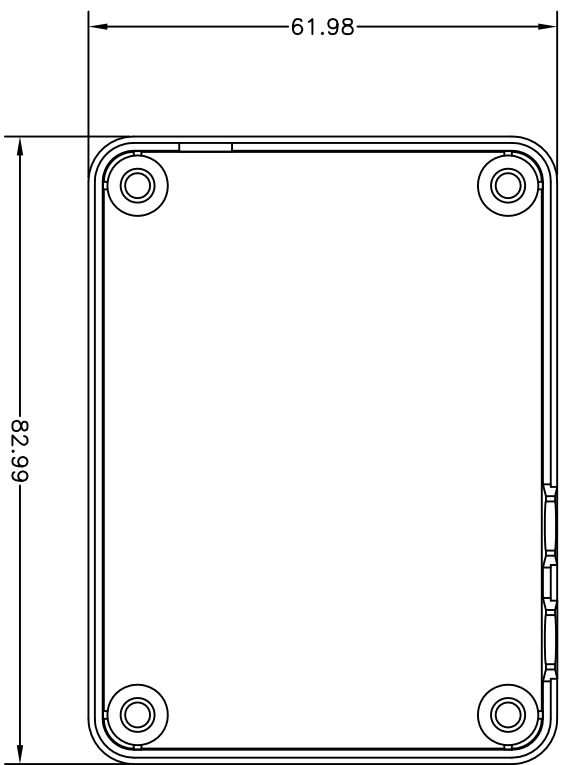
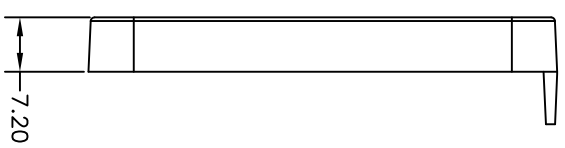
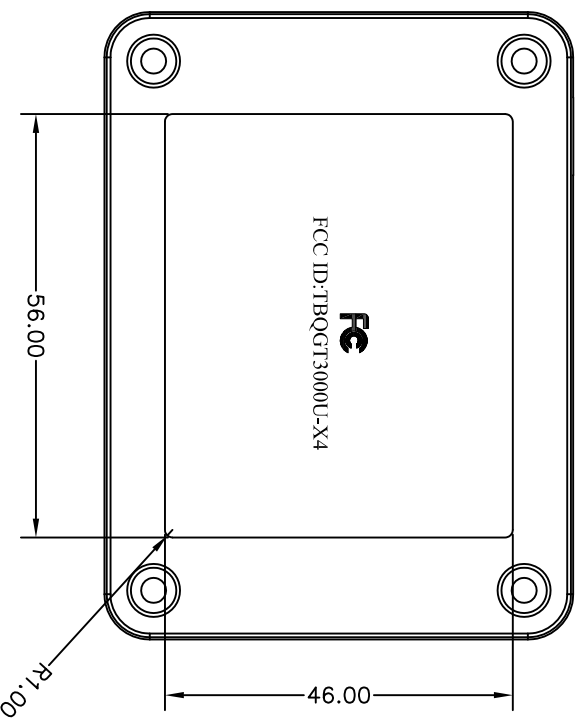
REV.	DATE	DESCRIPTION	APP'D	CHECKED	DRAWER
01	2011/10/12				S.L.L



FCC ID:TBQGT3000U-X4

SCALE 2:1

刻凸字0.15mm, 字面抛光



UNIT:	MM	MATERIAL:	ABS 黑色	TITLE:	GT3000B 下盖
TOLERANCE:	0. : ±0.3 0.0 : ±0.2 0.00: ±0.10	FINISH:		PART NO.:	
SCALE:	1 : 1	PROJECTION:		SIZE:	A4
Do not scale				DWG. NO.:	
				SHEET NO.:	1 OF 1

