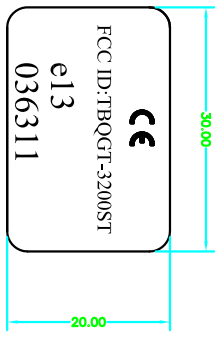
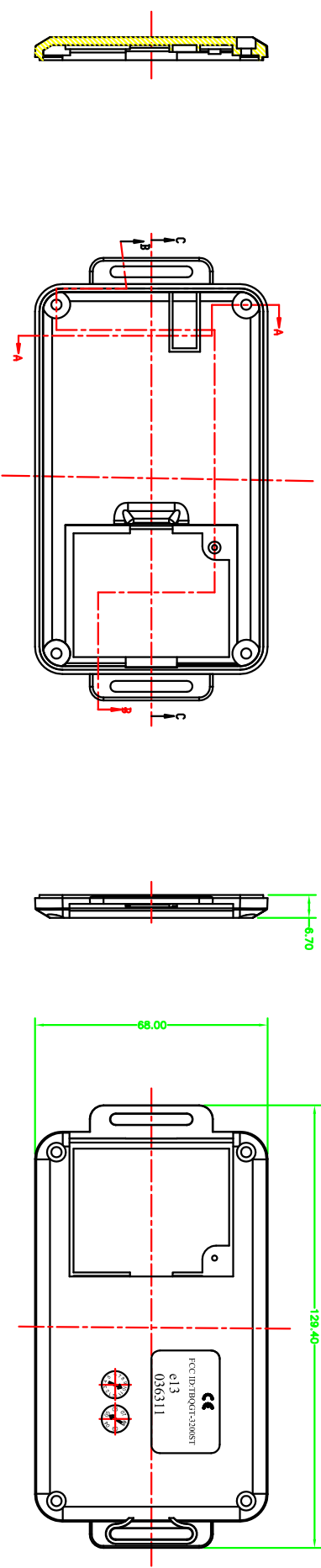
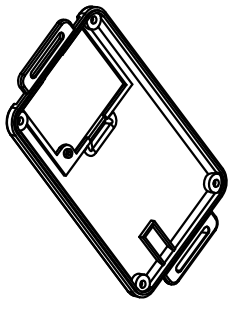
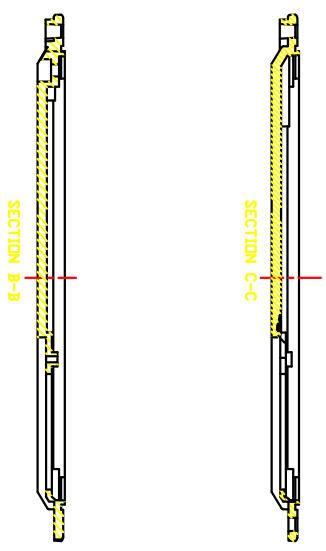


REV.	DATE	DESCRIPTION	APP'D	CHECKED	DRAWER
01	2008/03/24				ZHOUHUI
02	2008/05/22				G.X.Chen



SCALE 2:1
 鑲件下沉0.20mm,表面拋光;
 字凸0.15mm,字面拋光。



UNIT: MM	MATERIAL: ABS黑色	TITLE: GT3200ST GPS&GPRS下蓋
TOLERANCE: 0. : ±0.3 0.0 : ±0.2 0.00: ±0.10 A° : ±1.0° D: 10:1 scale	FINISH:	PART NO:
SCALE: NO SCALE	PROJECTION 	SIZE A4
DWG. NO. P106-GT-3200ST	SHEET NO. 1 OF 1	

