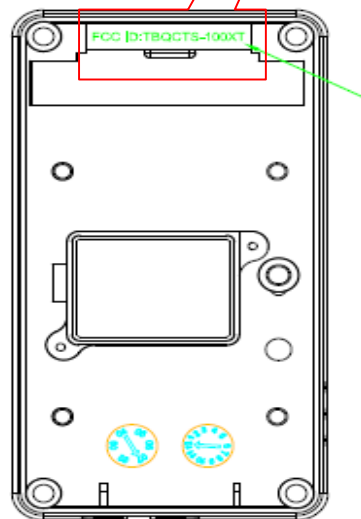
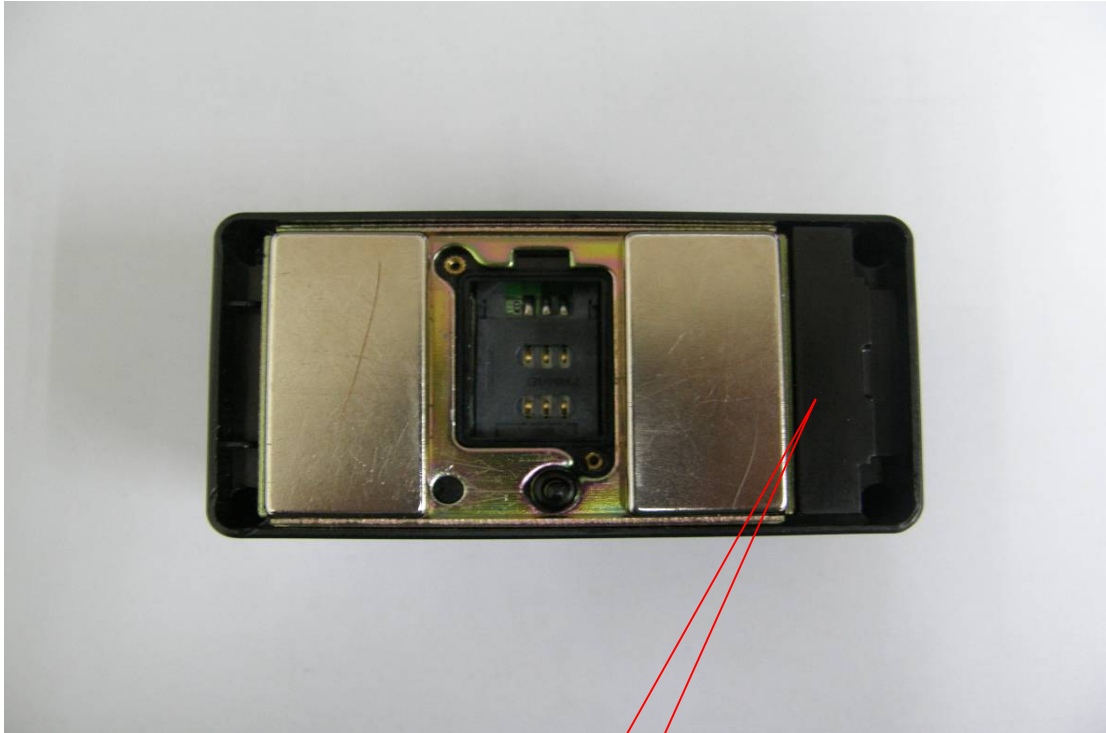


FCC ID LABEL FORMAT AND LOCATION

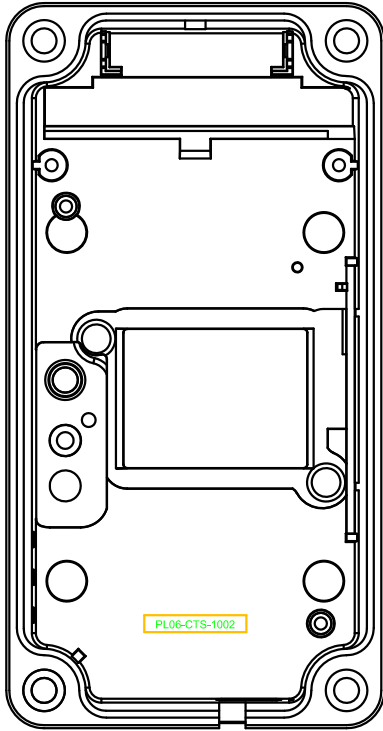
Applicant: PORTMAN ELECTRONICS(SHENZHEN)CO., LTD.

FCC ID: TBQCTS-100XT

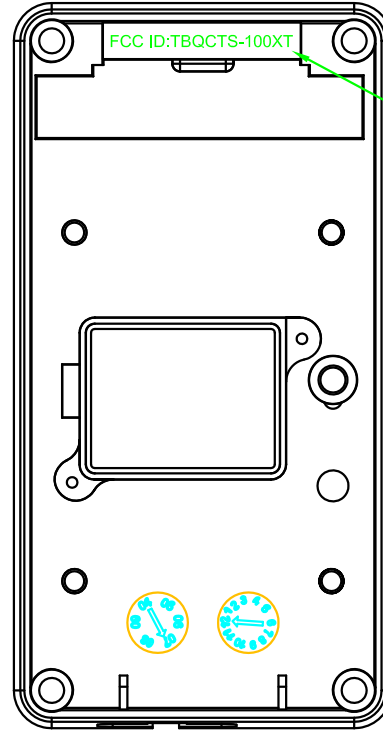


A B C D E F G H I J

REV.	DATE	DESCRIPTION	APP'D	CHECKED	DRAWER
01	2008/09/01			Chiefland	Wuwen



PL06-CTS-1002

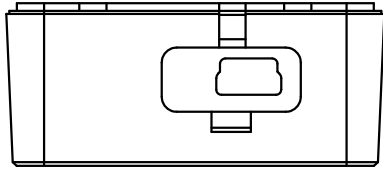


FCC ID:TBQCTS-100XT

刻字字体Arial; 字高1.6mm; 宽高比1.0。

FCC ID:TBQCTS-100XT

刻字内容
SCALE 2:1



备注:
1. 下盖加刻认证标志, 雕刻凸字, 字凸高0.20mm, 如图示;

UNIT: MM	MATERIAL: PC黑色	TITLE: CTS-100下盖			
TOLERANCE: 0. : ±0.3 0.0 : ±0.2 0.00: ±0.10 A° : ±1.0° Do not scale	FINISH: 蚀纹: YS-1284-A	PART NO: PL06-CTS-1002C			
SCALE: 1 : 1	PROJECTION 	SIZE A4	DWG. NO. PL06-CTS-1002	SHEET NO: 1 OF 1	



A B C D E F G H I J