

KEEP THIS INSERT FOR REFERENCE SINCE IT CONTAINS IMPORTANT SAFETY INFORMATION

SAFETY WARNINGS

- Do not operate during thunderstorms or rain.
- Avoid water, sand and snow when operating your car.
- Do not submerge car or controller in water.
- Never operate your car on the street or highway.
- Never operate your car in a confined or crowded area, and do not use people or animals as obstacles.
- Do not run your car into furniture, objects or hard surfaces, as this will cause damage to both the objects and the car.
- Keep fingers, hair and loose clothing away from the tires, gears and motor while the car is switched to "ON".
- Do not leave car or transmitter near sources of heat or under direct sunlight for long periods of time.
- Do not leave car or transmitter outside overnight. Dampness is harmful to interior components.
- Remove all batteries when not in use to avoid accidental operation.
- **Adult supervision is recommended when operating this car.**

BATTERY WARNINGS

THIS PRODUCT USES A NICKEL-CADMIUM (NiCd) RECHARGEABLE BATTERY PACK. BATTERY MUST BE RECYCLED OR DISPOSED OF PROPERLY ACCORDING TO INDIVIDUAL STATE OR LOCAL GOVERNMENT REGULATIONS.

- Batteries should be inserted with the correct polarity.
- Do not short circuit battery contacts.
- Do not mix old and new batteries.
- Do not mix alkaline, standard (carbon-zinc) or rechargeable (nickel-cadmium) batteries.
- Remove batteries if car will not be used for a long period.
- Check the batteries regularly for leakage.
- Exhausted batteries should be removed from the charger.
- Do not dispose batteries in a fire - batteries may leak or explode.
- Use only the recommended batteries or batteries of equal quality/type.
- Do not recharge non-rechargeable batteries.
- Remove battery pack from car before recharging.
- Do not pull on wires when detaching the battery pack plug/connector.
- Do not recharge warm or hot battery packs - wait until pack has cooled down.
- Do not overcharge - this may damage the battery pack.
- Recharging too early will shorten battery pack life.
- Do not recharge batteries that show wear or leakage.
- Do not recharge in high temperatures or bring the battery pack near a flame.
- Do not let the charger or battery pack get wet or damp.
- Do not take the charger or battery pack apart.
- Rechargeable batteries should always be charged under adult supervision.

Warning: Changes or modifications to this unit not expressly approved by the party responsible for compliance could void the user's authority to operate the equipment.



©2014 MerchSource, LLC. Shift3, The Black Series, The Black Series by Shift3, Vengeance and all associated logos are trademarks of MerchSource, LLC. All rights reserved.

Distributed by MerchSource, LLC, Irvine, CA 92618.
China Patent No. ZL201130225419.4.

For customer support, please visit www.msccustomercenter.com or call 1-800-374-2744.



This device complies with Part 15 of the FCC Rules. Operation is subject to the following two conditions: (1) this device may not cause harmful interference, and (2) this device must accept any interference received, including interference that may cause undesired operation.

NOTE: This equipment has been tested and found to comply with the limits for a Class B digital device, pursuant to Part 15 of the FCC Rules. These limits are designed to provide reasonable protection against harmful interference in a residential installation. This equipment generates, uses, and can radiate radio frequency energy and, if not installed and used in accordance with the instructions, may cause harmful interference to radio communications.

However, there is no guarantee that interference will not occur in a particular installation. If this equipment does cause harmful interference to radio or television reception, which can be determined by turning the equipment off and on, the user is encouraged to try to correct the interference by one or more of the following measures:

- Reorient or relocate the receiving antenna.
- Increase the separation between the equipment and receiver.
- Connect the equipment into an outlet on a circuit different from that to which the receiver is connected.
- Consult the dealer or an experienced radio TV technician for help.

NOT SUITABLE FOR CHILDREN UNDER 6 YEARS OF AGE

PRINTED IN CHINA

THE BLACK SERIES™

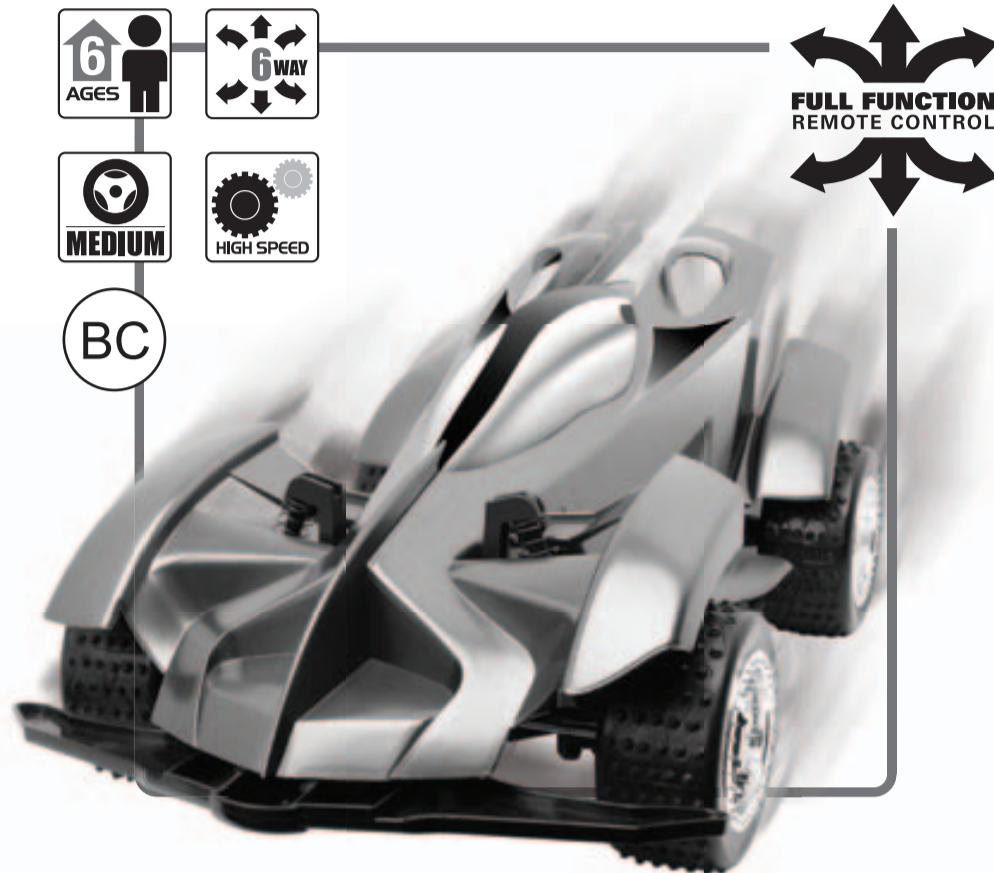
by shift³

radio controlled all-terrain race car

vengeance®

OPERATING INSTRUCTIONS

Please read this entire insert before operating this product.



CAUTION! ELECTRIC TOY: Not recommended for children under 6 years of ages. As with all electrical products, precautions should be observed during handling and use to reduce the risk of electrical shock.

WARNING: It is recommended that this toy and all accessories be periodically examined. Please immediately discontinue use and discard product if any parts appear broken or inoperative.

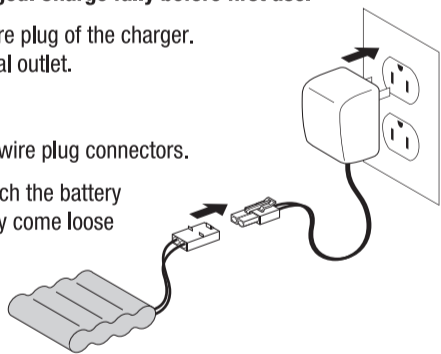
CHARGING BATTERY PACK

IMPORTANT: New Battery pack is not fully-charged. Charge fully before first use.

Connect the wire plug of the battery pack to the wire plug of the charger. Plug the charger into a standard 110/120V electrical outlet. Charge for approximately 8 hours for the first time. Subsequent recharges may require only 4-6 hours. Unplug the charger from the outlet and detach the wire plug connectors.

NOTE: Use the plastic connector to attach and detach the battery to the charger. Never pull on the wires, as they may come loose from the plug connectors.

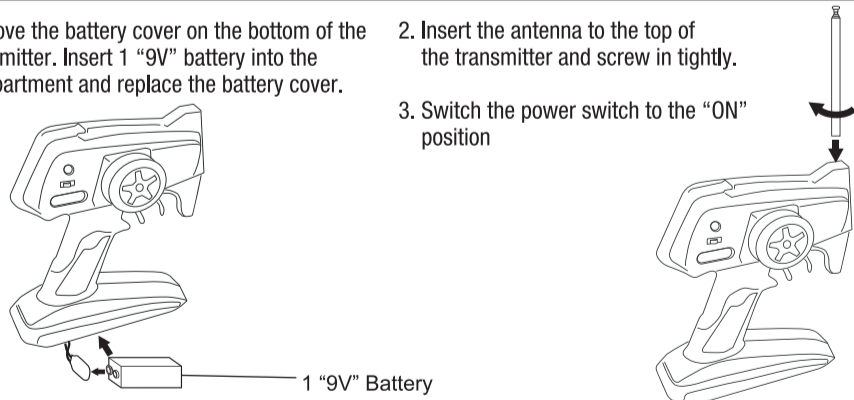
BATTERY REQUIREMENTS:
Car: 1 x "9.6V" NiCd rechargeable battery pack (included)
Remote Transmitter: 1 x "9V" battery (included)



WARNING: This product contains no user serviceable parts. Never attempt to repair or disassemble the car, charger, or battery.

REMOTE TRANSMITTER SET-UP

1. Remove the battery cover on the bottom of the transmitter. Insert 1 "9V" battery into the compartment and replace the battery cover.
2. Insert the antenna to the top of the transmitter and screw in tightly.
3. Switch the power switch to the "ON" position



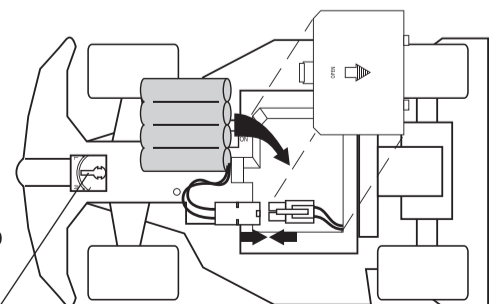
1 "9V" Battery

CAR SET-UP

Remove the battery cover on the bottom of the car.

Install the battery pack by connecting the wire plug from the car to the wire plug on the battery pack. Insert the battery pack into the bottom of the car and replace the battery cover.

Switch the power switch on the bottom of the car to the "ON" position.

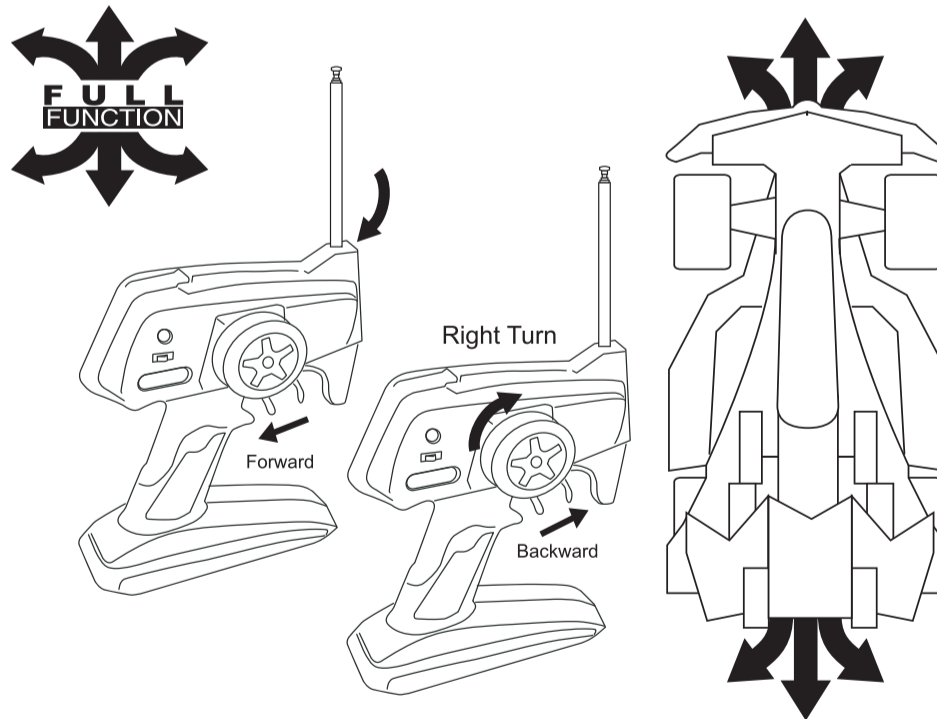


Steering alignment lever

OPERATIONS

1. Place the car on a smooth, flat surface and extend antenna fully on the remote controller.
2. To move the car forward in a straight line pull trigger back with finger.
3. To move the car backward in a straight line push trigger forward with finger.
4. To turn the car right, turn the steering wheel on the side of the remote controller clockwise.
5. To turn the car left, turn the steering wheel on the side of the remote controller counter-clockwise.

NOTE: For maximum performance, hold the transmitter upright so the antenna points up (do not point the antenna at the car, this will reduce the signal range).



6. Adjust the steering alignment lever located on the bottom of the car (between front wheels). If the car does not run straight when moving forward (refer to drawing on the Car Set Up section for location of the steering alignment lever).

TROUBLE-SHOOTING

| PROBLEM | PROBABLE SOLUTIONS |
|---|--|
| Car does not move or runs slowly | <ul style="list-style-type: none"> • Make sure power switch on car and transmitter are in the "ON" position • Make sure the batteries in the car and transmitter are installed properly • Replace 9V battery in transmitter with fresh alkaline battery |
| Car moves erratically or transmitter range is short | <ul style="list-style-type: none"> • Change locations as there may be radio interference in the area • Move away from other remote control cars as they may be operating on the same frequency • Make sure antenna in transmitter is screwed in tight and fully extended • Make sure transmitter battery connections are in good condition and replace battery |