

Ericsson AB

RF TEST REPORT

Report Type:
FCC Part 27 RF report

PRODUCT NAME:
Radio 8863 B77D

REPORT NUMBER:
210102314SHA-001

ISSUE DATE:
January 27, 2021

DOCUMENT CONTROL NUMBER:
TTRFFCC Part 27_V1 © 2018 Intertek



TEST REPORT

Applicant: Ericsson AB
Isafjordsgatan 10 SE-164 80 Stockholm 16480 Sweden

Manufacturer: Ericsson AB
Isafjordsgatan 10 SE-164 80 Stockholm 16480 Sweden

FCC ID: TA8AKRC161907-3

SUMMARY:

The equipment complies with the requirements according to the following standard(s) or Specification:

FCC CFR 47 Part 27: MISCELLANEOUS WIRELESS COMMUNICATIONS SERVICES

PREPARED BY:

REVIEWED BY:

Project Engineer
Jackson Huang

Reviewer
Edwin Xu

This report is for the exclusive use of Intertek's Client and is provided pursuant to the agreement between Intertek and its Client. Intertek's responsibility and liability are limited to the terms and conditions of the agreement. Intertek assumes no liability to any party, other than to the Client in accordance with the agreement, for any loss, expense or damage occasioned by the use of this report. Only the Client is authorized to permit copying or distribution of this report and then only in its entirety. Any use of the Intertek name or one of its marks for the sale or advertisement of the tested material, product or service must first be approved in writing by Intertek. The observations and test results in this report are relevant only to the sample tested. This report by itself does not imply that the material, product, or service is or has ever been under an Intertek certification program.

TEST REPORT

Content

REVISION HISTORY	4
MEASUREMENT RESULT SUMMARY	5
1 GENERAL INFORMATION	6
1.1 DESCRIPTION OF EQUIPMENT UNDER TEST (EUT)	6
1.2 TECHNICAL SPECIFICATION	7
1.3 DESCRIPTION OF TEST FACILITY	8
2 TEST SPECIFICATIONS	9
2.1 RELATED DOCUMENTS	9
2.2 PRODUCT INFORMATION.....	9
2.3 CONFIGURATION DESCRIPTION.....	10
2.4 TEST SETUP.....	12
2.5 TEST ENVIRONMENT CONDITION:.....	14
2.6 INSTRUMENT LIST	15
2.7 MEASUREMENT UNCERTAINTY	16
3 MAXIMUM OUTPUT POWER AND PEAK TO AVERAGE POWER RATIO AND EIRP	17
3.1 LIMIT	17
3.2 MEASUREMENT PROCEDURE	17
3.3 MEASUREMENT RESULT	18
4 OCCUPIED BANDWIDTH	28
4.1 MEASUREMENT PROCEDURE	28
4.2 MEASUREMENT RESULT	29
5 UNWANTED EMISSIONS AT BAND EDGE	47
5.1 LIMIT	47
5.2 MEASUREMENT PROCEDURE	47
5.3 MEASUREMENT RESULT	48
6 CONDUCTED UNWANTED EMISSION	108
6.1 LIMIT	108
6.2 MEASUREMENT PROCEDURE	108
6.3 MEASUREMENT RESULT	109
7 RADIATED UNWANTED EMISSION	169
7.1 LIMIT	169
7.2 MEASUREMENT PROCEDURE	169
7.3 MEASUREMENT RESULT	170
8 FREQUENCY STABILITY	182
8.1 LIMIT	182
8.2 MEASUREMENT PROCEDURE	182
8.3 MEASUREMENT RESULT	183

Revision History

Report No.	Version	Description	Issued Date
210102314SHA-001	Rev. 01	Initial issue of report	January 27, 2021

Measurement result summary

TEST ITEM	FCC REFERANCE	RESULT
Max Output Power and Peak to Average Power Ratio and EIRP	27.50(j) 2.1046	Pass
Occupied Bandwidth	27.53(m) 2.1049	Pass
Unwanted Emissions at Band Edge	27.53(m) 2.1051	Pass
Conducted Unwanted Emission	27.53(m) 2.1051	Pass
Radiated Unwanted Emissions	27.53(m) 2.1053	Pass
Frequency Stability	27.54 2.1055	Pass

1 GENERAL INFORMATION

1.1 Description of Equipment Under Test (EUT)

Description:	Remote Radio Unit
Product name:	Radio 8863 B77D
Product number:	KRC 161 907/3
Serial Number(s)	EABA045957
Rating:	-48V DC
Software Version:	CXP 901 7316/14 R6A737
Hardware Version:	KRC 161 907/3 R1A
Sample received date:	December 20, 2020
Date of test:	December 20, 2020 ~ January 20, 2021

TEST REPORT

1.2 Technical Specification

Frequency Range:	3700-3980MHz
Number of Antenna ports:	8 TX/RX
Supported RAT:	NR
Supported other mode:	/
Max RF bandwidth (IBW):	200MHz
Supported Number of Carriers:	SR NR: Maximum 3 carriers
Supported modulation:	QPSK, 16QAM, 64QAM, 256QAM
Supported Channel Bandwidth:	NR: 10MHz, 15MHz, 20MHz, 30MHz, 40MHz, 50MHz, 60MHz, 70MHz, 80MHz, 90MHz, 100MHz
Declaration output power:	Maximum 40W & 1W/MHz per port for all modes

1.3 Description of Test Facility

Conducted testing:

Name:	Intertek Testing Services Shanghai
Address 1:	Building 86, No. 1198 Qinzhou Road(North), Shanghai 200233, P.R. China
Address 2:	No. 5 Lize East Street, Ericsson Tower, Chaoyang District, Beijing 100102 P.R.C.
Telephone:	+86 21 61278200
Telefax:	+86 21 54262353
The test facility is recognized, certified, or accredited by these organizations:	FCC Accredited Lab Designation Number: CN1175, CN1258
	IC Registration Lab CAB identifier.: CN0051
	A2LA Accreditation Lab Certificate Number: 3309.02, 3309.04

Radiated testing:

Name:	BEIJING BOOMWAVE TEST SERVICE CO. LTD.
Address:	EMC Building, No. 1 Wang Jing East Road Chao Yang District, Beijing, 100102 P.R.C.
Telephone:	+86 10 64711866 806
The test facility is recognized, certified, or accredited by these organizations:	FCC Accredited Lab Designation Number: CN1242
	IC Registration Lab CAB identifier.: CN0010
	A2LA Accreditation Lab Certificate Number: 4992.01

2 TEST SPECIFICATIONS

2.1 Related documents

FCC Part 27 (2019)

FCC Part 2 (2019)

ANSI C63.26:2015

KDB 971168 D01 v03r01

KDB 662911 D01 v02r01

2.2 Product Information

The Equipment Under Test (EUT) Radio 8863 B77D is an Ericsson Radio Unit working in the wireless communication services 3700-3980MHz band which provides communication connections to 3700-3980MHz network. The Radio 8863 B77D operates from a -48V DC supply.

The EUT includes 8 TX/RX ports. It can be configured to transmit in MIMO mode, and MIMO mode was used for measurements as the worst configuration. The complete testing was performed with the EUT transmitting at maximum RF power unless otherwise stated.

A full technical description can be found in the Manufacturer's documentation.

TEST REPORT

2.3 Configuration Description

The following settings were used to represent all traffic scenarios. The output power was measured on the bottom, middle and top channel of all applicable antenna ports. By measuring the output power of QPSK, 16QAM, 64QAM and 256QAM on one of the antenna ports, it was determined that 16QAM for NR was the worst case modulation schemes and were used for all testing.

Complete testing was carried out on the worst case antenna port which was established as being the highest output power from the 8 measured ports on worst case modulation scheme. This antenna port was Port E for all modes.

The settings below were used for all measurements unless otherwise noted:

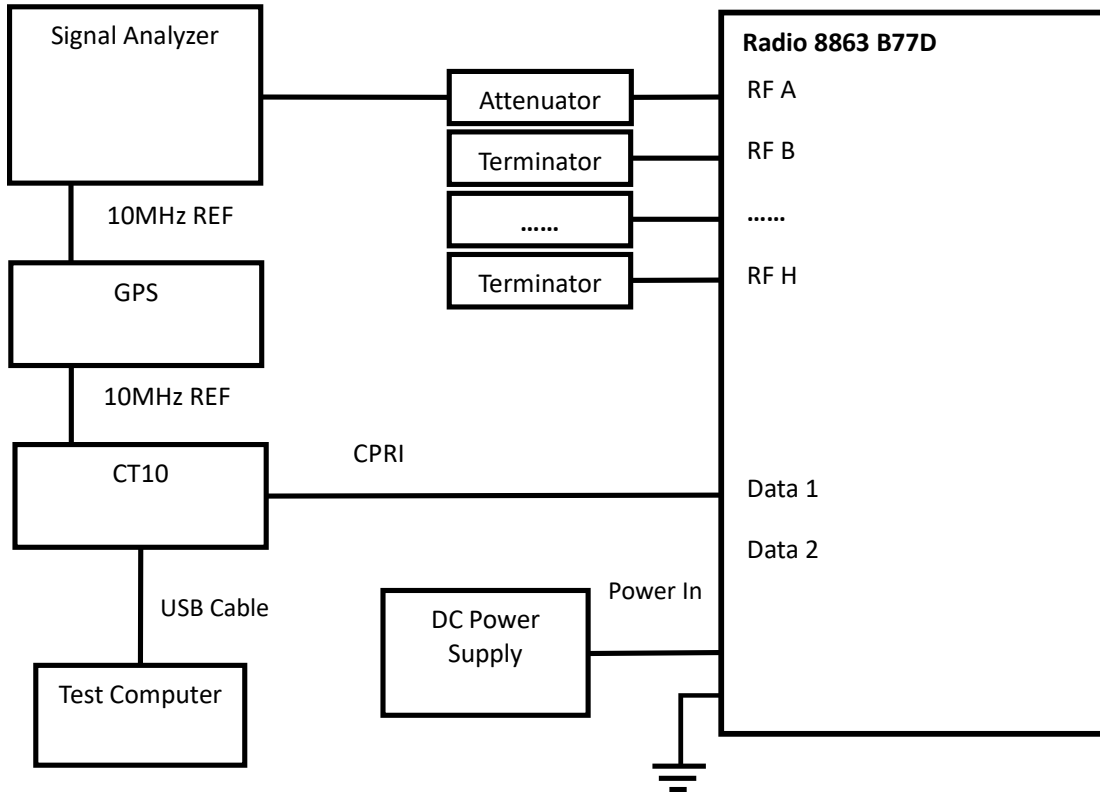
Configuration	Carrier	NR Carrier Bandwidth (MHz)	Carrier Frequency Configuration (MHz)		
			Bottom	Middle	Top
NR-MIMO-1C	1	10	3705.00	3840.00	3975.00
		15	3707.52	3840.00	3972.51
		20	3710.01	3840.00	3970.02
		30	3715.02	3840.00	3965.01
		40	3720.00	3840.00	3960.00
		50	3725.01	3840.00	3955.02
		60	3730.02	3840.00	3950.01
		70	3735.00	3840.00	3945.00
		80	3740.01	3840.00	3940.02
		90	3745.02	3840.00	3935.01
		100	3750.00	3840.00	3930.00
NR-MIMO-2C	2	10	-	3745.02+3935.01	-
		15	-	3747.51+3932.49	-
		20	-	3750.00+3930.00	-
		30	-	3755.01+3924.99	-
		40	-	3760.02+3920.01	-
		50	-	3765.00+3915.00	-
		60	-	3770.01+3909.99	-
		70	-	3775.02+3905.01	-
		80	-	3780.00+3900.00	-
		90	-	3785.01+3894.99	-
		100	-	3790.02+3890.01	-
NR-MIMO-3C	3	10	-	3745.02+3840.00+3935.01	-
		15	-	3747.51+3840.00+3932.49	-
		20	-	3750.00+3840.00+3930.00	-
		30	-	3755.01+3840.00+3924.99	-
		40	-	3760.02+3840.00+3920.01	-
		50	-	3765.00+3840.00+3915.00	-

TEST REPORT

Configuration	Carrier	NR Carrier Bandwidth (MHz)	Carrier Frequency Configuration (MHz)		
			Bottom	Middle	Top
NR-MIMO-1C-BE	1	10	3705.00	-	3975.00
		15	3707.52	-	3972.51
		20	3710.01	-	3970.02
		30	3715.02	-	3965.01
		40	3720.00	-	3960.00
		50	3725.01	-	3955.02
		60	3730.02	-	3950.01
		70	3735.00	-	3945.00
		80	3740.01	-	3940.02
		90	3745.02	-	3935.01
		100	3750.00	-	3930.00
NR-MIMO-2C-BE	2	10	3705.00+3715.02	-	3965.01+3975.00
		15	3707.52+3722.52	-	3957.51+3972.51
		20	3710.01+3730.02	-	3950.01+3970.02
		40	3720.00+3760.02	-	3920.01+3960.00
		60	3730.02+3790.02	-	3890.01+3950.01
		80	3740.01+3820.02	-	3860.01+3940.02
		100	3750.00+3850.02	-	3830.01+3930.00
NR-MIMO-3C-BE	3	10	3705.00+3715.02 +3725.01	-	3955.02+3965.01 +3975.00
		15	3707.52+3722.52 +3737.52	-	3942.51+3957.51 +3972.51
		50	3725.01+3775.02 +3825.00	-	3855+3905.01 +3955.02

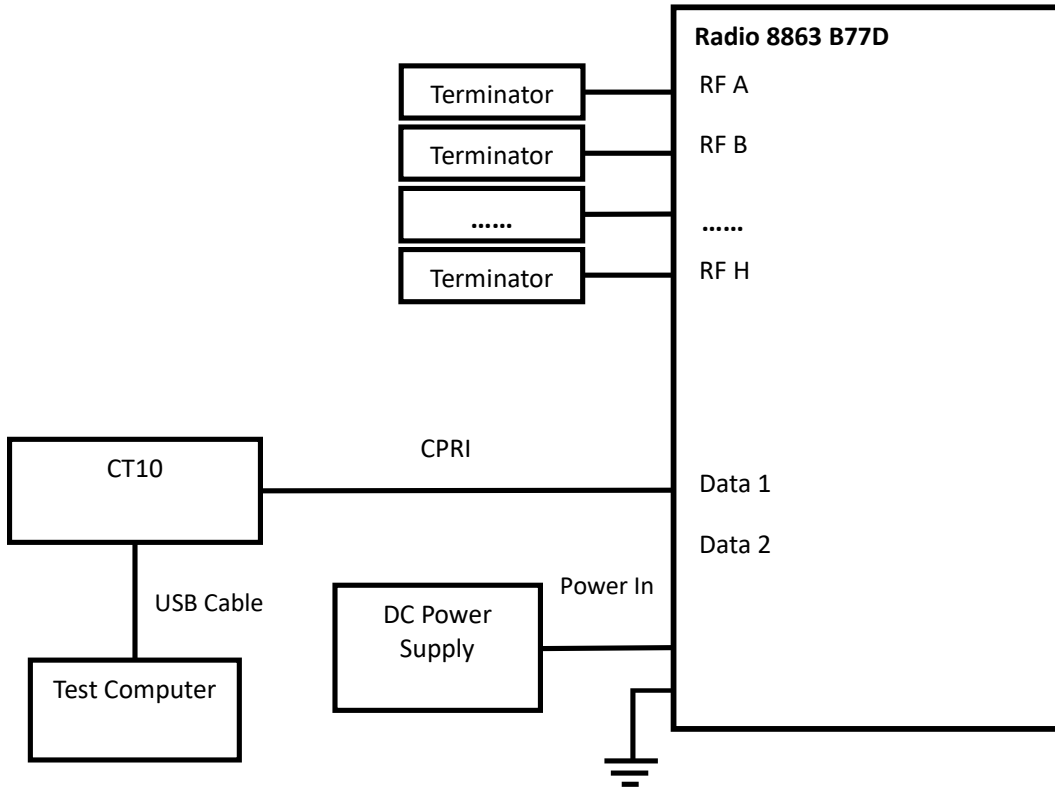
2.4 Test Setup

Conducted Measurement:



No.	Auxiliary Equipment	Product Number / Model Type	Version
1	Test computer	DELL PowerEdge R230	-
2	CT10	LPC 102 487/1	-
3	Power supply	N8737A	-
4	Terminator	HBTE-CT100-6-NF-55	-
5	Attenuator	DTS150-40dB-4G-NKK	-
6	Signal Analyzer	PXA 9030	-

Radiated Measurement:



No.	Auxiliary Equipment	Product Number / Model Type	Version
1	Test computer	DELL PowerEdge R230	-
2	CT10	LPC 102 487/1	-
3	Power supply	N8737A	-
4	Terminator	HBTE-CT100-6-NF-55	-

TEST REPORT**2.5 Test environment condition:**

Test items	Temperature	Humidity
Max Output Power and Peak to Average Power Ratio and EIRP	20°C to 24°C	45%RH to 55%RH
Occupied Bandwidth		
Unwanted Emissions at Band Edge		
Conducted Unwanted Emission		
Radiated Unwanted Emissions	21°C	51% RH
Frequency Stability	Please refer to clause 8	

2.6 Instrument list

Intertek Testing Services Shanghai					
Used	Equipment	Manufacturer	Type	S/N	Due date
<input checked="" type="checkbox"/>	PXA Signal Analyzer	Keysight	N9030A	MY54490502	2021.8.24
<input type="checkbox"/>	Signal Generator	R&S	SMU200A	103457	2021.8.15
<input checked="" type="checkbox"/>	Multi-meter	Fluke	117	93990470	2022.1.17
<input checked="" type="checkbox"/>	Climatic Chamber	赛宝	CEEC-WR16H-50W	15-95	2021.9.21
<input checked="" type="checkbox"/>	Humiture meter	托普	TPJ-20	TP161108085	2022.1.16

BEIJING BOOMWAVE TEST SERVICE CO. LTD.					
Used	Equipment	Manufacturer	Type	S/N	Due date
<input checked="" type="checkbox"/>	EMI TEST RECERVER	R&S	ESR26	101320	2021-12-28
<input checked="" type="checkbox"/>	Spectrum Analyzer	R&S	FSV40	101403	2022-01-01
<input checked="" type="checkbox"/>	Hybrid antenna	SCHWARZBECK	VULB9163	01266	2021-07-03
<input checked="" type="checkbox"/>	Double-Ridged Waveguide Horn Antenna	R&S	BBHA9120D	1276	2021-03-17
<input checked="" type="checkbox"/>	Broad-Band Horn Antenna	SCHWARZBECK	BBHA9170	797	2021-03-17
<input checked="" type="checkbox"/>	Pre-amplifier	R&S	SCU40	2046336	2021-03-17
<input checked="" type="checkbox"/>	Pre-amplifier	Qualwave	QLAS-1000-18000-45-30	20255003	2021-07-01
<input checked="" type="checkbox"/>	Power amplifier	Pasternack Enterprises	PE15A1009	V00140120181 115E822	2022-01-01
<input checked="" type="checkbox"/>	Digital display temperature and humidity recorder	DICKSON	TM320	015080	2021-08-05
<input checked="" type="checkbox"/>	Aneroid barometer	Shanghai Boji	DYM3	00868	2022-05-05
<input checked="" type="checkbox"/>	Semi-Anechoic Chamber	TDK	SAC03	/	2024-07-23

2.7 Measurement uncertainty

The measurement uncertainty represents an expanded uncertainty expressed at approximately the 95% confidence level using a coverage factor of k=2.

Test item	Measurement uncertainty
Maximum output power	0.73dB
Occupied Bandwidth	0.88%
Unwanted Emissions at Band Edge	3.03dB
Conducted Unwanted Emission	3.03dB
Radiated Unwanted Emissions below 1GHz	4.90dB
Radiated Unwanted Emissions above 1GHz	5.02dB
Frequency stability	0.77×10^{-7}

3 Maximum Output Power and Peak to Average Power Ratio and EIRP

Test result: Pass

3.1 Limit

(1) The power of each fixed or base station transmitting in the 3700-3980 MHz band and located in any county with population density of 100 or fewer persons per square mile, based upon the most recently available population statistics from the Bureau of the Census, is limited to an equivalent isotropically radiated power (EIRP) of 3280 Watts/MHz. This limit applies to the aggregate power of all antenna elements in any given sector of a base station.

(2) The power of each fixed or base station transmitting in the 3700-3980 MHz band and situated in any geographic location other than that described in paragraph (j)(1) of this section is limited to an EIRP of 1640 Watts/MHz. This limit applies to the aggregate power of all antenna elements in any given sector of a base station.

Peak to Average Ratio: ≤ 13 dB

3.2 Measurement Procedure

The EUT was configured to transmit on maximum power and proper modulation. The transmitter power shall be measured in terms of a root-mean-square (RMS) average value. In case of the EUT was configured to MIMO mode, since the EUT transmits on all antennas simultaneously in the same frequency range, using the Measure-and-Sum approach, the output power at all antennas were tested, and the total output power were then summed mathematically in linear power units according to FCC KDB 662911 D01.

A peak to average ratio measurement is performed at the conducted ports of the EUT for single carrier for single RAT mode. The spectrum analyzers Complementary Cumulative Distribution Function (CCDF) was used and 0.1% probability value recorded.

3.3 Measurement result

NR-MIMO-1C

Antenna Port	Modulation	Carrier Bandwidth (MHz)	Output power / Peak-to-Average Ratio (PAR)								
			Channel position B			Channel position M			Channel position T		
			Power (dBm)	Power (dBm /MHz)	PAR (dB)	Power (dBm)	Power (dBm /MHz)	PAR (dB)	Power (dBm)	Power (dBm /MHz)	PAR (dB)
A	16QAM	10	39.50	31.62	8.44	39.58	31.42	8.46	39.48	31.37	8.44
B	16QAM	10	39.53	31.64	8.39	39.45	31.36	8.47	39.43	31.30	8.50
C	16QAM	10	39.36	31.35	8.43	39.40	31.29	8.42	39.38	31.33	8.46
D	16QAM	10	40.38	32.33	8.42	40.58	32.44	8.45	40.15	32.06	8.46
E	16QAM	10	39.86	31.86	8.39	40.15	32.00	8.40	39.88	31.75	8.36
F	16QAM	10	39.91	31.87	8.48	40.08	31.93	8.54	39.83	31.80	8.47
G	16QAM	10	40.13	32.03	8.52	40.22	32.02	8.34	39.91	31.85	8.52
H	16QAM	10	40.07	32.02	8.42	40.2	31.52	8.46	39.78	31.73	8.47
Total			48.89	40.88	-	49.01	40.80	-	48.77	40.69	-

Antenna Port	Modulation	Carrier Bandwidth (MHz)	Output power / Peak-to-Average Ratio (PAR)								
			Channel position B			Channel position M			Channel position T		
			Power (dBm)	Power (dBm /MHz)	PAR (dB)	Power (dBm)	Power (dBm /MHz)	PAR (dB)	Power (dBm)	Power (dBm /MHz)	PAR (dB)
A	16QAM	15	41.33	32.02	8.22	41.39	32.04	8.25	41.38	32.31	8.29
B	16QAM	15	41.39	32.04	8.24	41.30	31.88	8.25	41.42	32.13	8.26
C	16QAM	15	41.26	31.97	8.22	41.35	31.85	8.24	41.34	32.13	8.26
D	16QAM	15	42.12	32.76	8.23	42.38	33.00	8.26	41.88	33.01	8.29
E	16QAM	15	41.77	32.49	8.21	42.06	32.64	8.19	41.83	32.60	8.27
F	16QAM	15	41.81	32.38	8.18	41.91	32.54	8.33	41.89	32.65	8.18
G	16QAM	15	41.86	32.49	8.14	42.06	32.67	8.29	41.88	32.80	8.37
H	16QAM	15	41.73	32.37	8.23	42.05	32.53	8.27	41.75	32.67	8.3
Total			50.70	41.35	-	50.86	41.44	-	50.71	41.58	-

TEST REPORT

Antenna Port	Modulation	Carrier Bandwidth (MHz)	Output power / Peak-to-Average Ratio (PAR)								
			Channel position B			Channel position M			Channel position T		
			Power (dBm)	Power (dBm /MHz)	PAR (dB)	Power (dBm)	Power (dBm /MHz)	PAR (dB)	Power (dBm)	Power (dBm /MHz)	PAR (dB)
A	16QAM	20	42.49	31.99	8.39	42.42	31.91	8.38	42.44	32.06	8.37
B	16QAM	20	42.64	32.15	8.40	42.48	31.97	8.39	42.50	32.10	8.38
C	16QAM	20	42.36	31.87	8.40	42.49	31.82	8.39	42.47	32.02	8.38
D	16QAM	20	43.26	32.78	8.38	43.51	32.91	8.38	43.23	32.94	8.35
E	16QAM	20	42.94	32.49	8.32	43.35	32.76	8.43	43.03	32.64	8.45
F	16QAM	20	42.90	32.39	8.31	43.07	32.48	8.47	42.98	32.57	8.28
G	16QAM	20	43.00	32.43	8.34	43.19	32.66	8.28	43.05	32.75	8.26
H	16QAM	20	42.91	32.42	8.39	43.20	32.62	8.39	43.04	32.72	8.37
Total			51.85	41.35	-	52.01	41.44	-	51.88	41.52	-

Antenna Port	Modulation	Carrier Bandwidth (MHz)	Output power / Peak-to-Average Ratio (PAR)								
			Channel position B			Channel position M			Channel position T		
			Power (dBm)	Power (dBm /MHz)	PAR (dB)	Power (dBm)	Power (dBm /MHz)	PAR (dB)	Power (dBm)	Power (dBm /MHz)	PAR (dB)
A	16QAM	30	43.91	31.74	8.26	44.01	31.72	8.27	44.04	31.84	8.24
B	16QAM	30	44.18	31.92	8.25	44.05	31.72	8.25	44.00	31.78	8.25
C	16QAM	30	43.93	31.73	8.25	44.06	31.67	8.26	43.95	31.66	8.27
D	16QAM	30	44.84	32.69	8.23	45.09	32.74	8.24	44.73	32.57	8.26
E	16QAM	30	44.69	32.69	8.25	44.92	32.54	8.24	44.60	32.41	8.24
F	16QAM	30	44.48	32.31	8.27	44.64	32.31	8.28	44.54	32.38	8.25
G	16QAM	30	44.48	32.37	8.20	44.80	32.44	8.28	44.54	32.32	8.28
H	16QAM	30	44.69	32.74	8.23	44.83	32.44	8.26	44.54	32.41	8.26
Total			53.44	41.32	-	53.60	41.25	-	53.41	41.21	-

Antenna Port	Modulation	Carrier Bandwidth (MHz)	Output power / Peak-to-Average Ratio (PAR)								
			Channel position B			Channel position M			Channel position T		
			Power (dBm)	Power (dBm /MHz)	PAR (dB)	Power (dBm)	Power (dBm /MHz)	PAR (dB)	Power (dBm)	Power (dBm /MHz)	PAR (dB)
A	16QAM	40	45.06	31.5	7.60	45.04	31.51	7.54	45.26	32.01	7.71
B	16QAM	40	45.19	31.71	7.62	45.18	31.60	7.54	45.23	31.87	7.70
C	16QAM	40	45.17	31.48	7.61	45.19	31.48	7.53	45.18	31.86	7.71
D	16QAM	40	45.86	32.53	7.62	46.17	32.61	7.53	45.94	32.50	7.71
E	16QAM	40	45.85	32.53	7.64	45.91	32.37	7.54	45.67	32.34	7.66
F	16QAM	40	45.50	32.00	7.61	45.74	32.15	7.53	45.73	32.25	7.72
G	16QAM	40	45.55	32.12	7.61	45.89	32.33	7.55	45.90	32.58	7.75
H	16QAM	40	45.75	32.51	7.62	45.99	32.37	7.54	45.75	32.38	7.73
Total			54.53	41.10	-	54.69	41.10	-	54.62	41.26	-

TEST REPORT

Antenna Port	Modulation	Carrier Bandwidth (MHz)	Output power / Peak-to-Average Ratio (PAR)								
			Channel position B			Channel position M			Channel position T		
			Power (dBm)	Power (dBm /MHz)	PAR (dB)	Power (dBm)	Power (dBm /MHz)	PAR (dB)	Power (dBm)	Power (dBm /MHz)	PAR (dB)
A	16QAM	50	45.17	30.84	7.58	45.21	30.78	7.50	45.37	31.12	7.67
B	16QAM	50	45.13	30.79	7.60	45.23	30.68	7.49	45.31	30.90	7.66
C	16QAM	50	45.07	30.66	7.60	45.16	30.64	7.49	45.28	31.02	7.68
D	16QAM	50	45.9	31.64	7.59	46.13	31.74	7.51	45.85	31.57	7.67
E	16QAM	50	45.62	31.47	7.62	45.95	31.44	7.50	45.77	31.47	7.68
F	16QAM	50	45.54	31.24	7.59	45.76	31.28	7.51	45.66	31.32	7.67
G	16QAM	50	45.63	31.46	7.59	45.95	31.41	7.50	45.99	31.69	7.69
H	16QAM	50	45.63	31.47	7.60	45.95	31.47	7.50	45.83	31.57	7.68
Total			54.50	40.24	-	54.71	40.23	-	54.67	40.37	-

Antenna Port	Modulation	Carrier Bandwidth (MHz)	Output power / Peak-to-Average Ratio (PAR)								
			Channel position B			Channel position M			Channel position T		
			Power (dBm)	Power (dBm /MHz)	PAR (dB)	Power (dBm)	Power (dBm /MHz)	PAR (dB)	Power (dBm)	Power (dBm /MHz)	PAR (dB)
A	16QAM	60	45.10	30.37	7.68	45.25	30.29	7.49	45.47	30.66	7.76
B	16QAM	60	45.12	30.31	7.72	45.25	30.23	7.49	45.29	30.43	7.73
C	16QAM	60	45.08	30.23	7.71	45.19	30.16	7.49	45.25	30.38	7.75
D	16QAM	60	46.00	31.26	7.71	46.13	31.23	7.49	46.03	31.11	7.76
E	16QAM	60	45.63	30.98	7.73	46.00	30.97	7.49	45.94	31.01	7.75
F	16QAM	60	45.48	30.86	7.70	45.66	30.75	7.49	45.80	30.87	7.78
G	16QAM	60	45.80	31.25	7.71	46.02	31.03	7.48	45.92	31.15	7.76
H	16QAM	60	45.81	31.09	7.73	45.97	31.05	7.49	45.87	31.02	7.78
Total			54.55	39.84	-	54.73	39.76	-	54.74	39.87	-

Antenna Port	Modulation	Carrier Bandwidth (MHz)	Output power / Peak-to-Average Ratio (PAR)								
			Channel position B			Channel position M			Channel position T		
			Power (dBm)	Power (dBm /MHz)	PAR (dB)	Power (dBm)	Power (dBm /MHz)	PAR (dB)	Power (dBm)	Power (dBm /MHz)	PAR (dB)
A	16QAM	70	45.47	30.66	7.76	45.24	29.12	7.51	45.44	29.45	7.76
B	16QAM	70	45.29	30.43	7.73	45.16	28.99	7.51	45.22	29.15	7.75
C	16QAM	70	45.25	30.38	7.75	45.14	28.90	7.51	45.02	29.08	7.76
D	16QAM	70	46.03	31.11	7.76	45.98	29.71	7.51	45.69	29.61	7.76
E	16QAM	70	45.94	31.01	7.75	45.89	29.67	7.51	45.73	29.74	7.74
F	16QAM	70	45.8	30.87	7.78	45.79	29.56	7.52	45.64	29.53	7.76
G	16QAM	70	45.92	31.15	7.76	46.03	29.82	7.52	45.84	29.81	7.76
H	16QAM	70	45.87	31.02	7.78	45.94	29.75	7.51	45.88	29.81	7.77
Total			54.74	39.87	-	54.69	38.48	-	54.60	38.56	-

TEST REPORT

Antenna Port	Modulation	Carrier Bandwidth (MHz)	Output power / Peak-to-Average Ratio (PAR)								
			Channel position B			Channel position M			Channel position T		
			Power (dBm)	Power (dBm /MHz)	PAR (dB)	Power (dBm)	Power (dBm /MHz)	PAR (dB)	Power (dBm)	Power (dBm /MHz)	PAR (dB)
A	16QAM	80	45.01	28.52	7.78	45.21	28.61	7.55	45.24	28.68	7.90
B	16QAM	80	45.13	28.48	7.82	45.13	28.48	7.55	45.24	28.72	7.88
C	16QAM	80	45.13	28.49	7.81	45.17	28.43	7.54	45.21	28.62	7.90
D	16QAM	80	45.79	29.24	7.82	45.85	29.16	7.55	45.67	29.04	7.90
E	16QAM	80	45.72	29.17	7.83	45.82	29.09	7.54	45.61	29.11	7.88
F	16QAM	80	45.53	29.01	7.8	45.69	29.02	7.54	45.65	29.04	7.89
G	16QAM	80	45.83	29.39	7.79	45.98	29.19	7.54	45.75	29.27	7.90
H	16QAM	80	45.74	29.2	7.81	45.83	29.15	7.54	45.72	29.22	7.90
Total			54.53	37.98	-	54.63	37.93	-	54.55	38.00	-

Antenna Port	Modulation	Carrier Bandwidth (MHz)	Output power / Peak-to-Average Ratio (PAR)								
			Channel position B			Channel position M			Channel position T		
			Power (dBm)	Power (dBm /MHz)	PAR (dB)	Power (dBm)	Power (dBm /MHz)	PAR (dB)	Power (dBm)	Power (dBm /MHz)	PAR (dB)
A	16QAM	90	45.23	28.10	7.82	45.35	28.13	7.53	45.37	28.26	7.86
B	16QAM	90	45.12	27.99	7.86	45.17	27.93	7.53	45.29	28.21	7.87
C	16QAM	90	45.17	28.02	7.84	45.19	27.98	7.53	45.15	28.11	7.87
D	16QAM	90	45.73	28.66	7.79	45.87	28.62	7.53	45.68	28.53	7.87
E	16QAM	90	45.57	28.63	7.87	45.82	28.61	7.52	45.80	28.57	7.86
F	16QAM	90	45.57	28.51	7.82	45.73	28.5	7.55	45.65	28.57	7.87
G	16QAM	90	45.83	28.83	7.82	45.86	28.74	7.53	45.80	28.69	7.88
H	16QAM	90	45.71	28.74	7.79	45.89	28.71	7.53	45.81	28.66	7.88
Total			54.53	37.48	-	54.65	37.44	-	54.61	37.49	-

Antenna Port	Modulation	Carrier Bandwidth (MHz)	Output power / Peak-to-Average Ratio (PAR)								
			Channel position B			Channel position M			Channel position T		
			Power (dBm)	Power (dBm /MHz)	PAR (dB)	Power (dBm)	Power (dBm /MHz)	PAR (dB)	Power (dBm)	Power (dBm /MHz)	PAR (dB)
A	16QAM	100	45.26	27.66	7.82	45.27	27.66	7.53	45.22	27.77	7.92
B	16QAM	100	45.09	27.55	7.87	45.12	27.61	7.53	45.21	27.68	7.91
C	16QAM	100	45.10	27.56	7.88	45.22	27.53	7.52	45.15	27.68	7.93
D	16QAM	100	45.77	28.18	7.87	45.84	28.17	7.53	45.67	28.00	7.93
E	16QAM	100	45.53	28.14	7.87	45.87	28.15	7.53	45.74	28.08	7.92
F	16QAM	100	45.54	28.08	7.83	45.70	28.10	7.54	45.57	27.91	7.92
G	16QAM	100	45.81	28.40	7.85	45.94	28.30	7.53	45.79	28.20	7.93
H	16QAM	100	45.69	28.24	7.88	45.78	28.25	7.53	45.81	28.25	7.93
Total			54.51	37.02	-	54.63	37.01	-	54.56	36.98	-

TEST REPORT

NR-MIMO-2C

Antenna Port	Modulation	Carrier Bandwidth (MHz)	Output power / Peak-to-Average Ratio (PAR)								
			Channel position B			Channel position M			Channel position T		
			Power (dBm)	Power (dBm /MHz)	PAR (dB)	Power (dBm)	Power (dBm /MHz)	PAR (dB)	Power (dBm)	Power (dBm /MHz)	PAR (dB)
A	16QAM	10	-	-	-	42.57	31.52	-	-	-	-
B	16QAM	10	-	-	-	42.34	31.45	-	-	-	-
C	16QAM	10	-	-	-	42.42	31.34	-	-	-	-
D	16QAM	10	-	-	-	42.93	31.86	-	-	-	-
E	16QAM	10	-	-	-	42.98	32.06	-	-	-	-
F	16QAM	10	-	-	-	42.83	31.82	-	-	-	-
G	16QAM	10	-	-	-	43.01	32.01	-	-	-	-
H	16QAM	10	-	-	-	43.05	31.97	-	-	-	-
Total			-	-	-	51.81	40.79	-	-	-	-

Antenna Port	Modulation	Carrier Bandwidth (MHz)	Output power / Peak-to-Average Ratio (PAR)								
			Channel position B			Channel position M			Channel position T		
			Power (dBm)	Power (dBm /MHz)	PAR (dB)	Power (dBm)	Power (dBm /MHz)	PAR (dB)	Power (dBm)	Power (dBm /MHz)	PAR (dB)
A	16QAM	15	-	-	-	44.29	31.97	-	-	-	-
B	16QAM	15	-	-	-	43.99	31.82	-	-	-	-
C	16QAM	15	-	-	-	44.04	31.66	-	-	-	-
D	16QAM	15	-	-	-	44.61	32.17	-	-	-	-
E	16QAM	15	-	-	-	44.80	32.47	-	-	-	-
F	16QAM	15	-	-	-	44.50	32.22	-	-	-	-
G	16QAM	15	-	-	-	44.69	32.38	-	-	-	-
H	16QAM	15	-	-	-	44.73	32.34	-	-	-	-
Total			-	-	-	53.50	41.17	-	-	-	-

Antenna Port	Modulation	Carrier Bandwidth (MHz)	Output power / Peak-to-Average Ratio (PAR)								
			Channel position B			Channel position M			Channel position T		
			Power (dBm)	Power (dBm /MHz)	PAR (dB)	Power (dBm)	Power (dBm /MHz)	PAR (dB)	Power (dBm)	Power (dBm /MHz)	PAR (dB)
A	16QAM	20	-	-	-	45.35	31.96	-	-	-	-
B	16QAM	20	-	-	-	45.08	31.76	-	-	-	-
C	16QAM	20	-	-	-	45.16	31.64	-	-	-	-
D	16QAM	20	-	-	-	45.71	32.12	-	-	-	-
E	16QAM	20	-	-	-	45.89	32.39	-	-	-	-
F	16QAM	20	-	-	-	45.61	32.18	-	-	-	-
G	16QAM	20	-	-	-	45.88	32.31	-	-	-	-
H	16QAM	20	-	-	-	45.74	32.32	-	-	-	-
Total			-	-	-	54.59	41.12	-	-	-	-

TEST REPORT

Antenna Port	Modulation	Carrier Bandwidth (MHz)	Output power / Peak-to-Average Ratio (PAR)								
			Channel position B			Channel position M			Channel position T		
			Power (dBm)	Power (dBm /MHz)	PAR (dB)	Power (dBm)	Power (dBm /MHz)	PAR (dB)	Power (dBm)	Power (dBm /MHz)	PAR (dB)
A	16QAM	30	-	-	-	45.29	30.17	-	-	-	-
B	16QAM	30	-	-	-	45.13	29.98	-	-	-	-
C	16QAM	30	-	-	-	45.15	29.90	-	-	-	-
D	16QAM	30	-	-	-	45.65	30.38	-	-	-	-
E	16QAM	30	-	-	-	45.87	30.69	-	-	-	-
F	16QAM	30	-	-	-	45.51	30.25	-	-	-	-
G	16QAM	30	-	-	-	45.77	30.53	-	-	-	-
H	16QAM	30	-	-	-	45.85	30.61	-	-	-	-
Total			-	-	-	54.57	39.35	-	-	-	-

Antenna Port	Modulation	Carrier Bandwidth (MHz)	Output power / Peak-to-Average Ratio (PAR)								
			Channel position B			Channel position M			Channel position T		
			Power (dBm)	Power (dBm /MHz)	PAR (dB)	Power (dBm)	Power (dBm /MHz)	PAR (dB)	Power (dBm)	Power (dBm /MHz)	PAR (dB)
A	16QAM	40	-	-	-	45.22	28.90	-	-	-	-
B	16QAM	40	-	-	-	45.07	28.72	-	-	-	-
C	16QAM	40	-	-	-	45.04	28.58	-	-	-	-
D	16QAM	40	-	-	-	45.61	29.10	-	-	-	-
E	16QAM	40	-	-	-	45.86	29.34	-	-	-	-
F	16QAM	40	-	-	-	45.49	29.06	-	-	-	-
G	16QAM	40	-	-	-	45.81	29.33	-	-	-	-
H	16QAM	40	-	-	-	45.77	29.28	-	-	-	-
Total			-	-	-	54.53	38.08	-	-	-	-

Antenna Port	Modulation	Carrier Bandwidth (MHz)	Output power / Peak-to-Average Ratio (PAR)								
			Channel position B			Channel position M			Channel position T		
			Power (dBm)	Power (dBm /MHz)	PAR (dB)	Power (dBm)	Power (dBm /MHz)	PAR (dB)	Power (dBm)	Power (dBm /MHz)	PAR (dB)
A	16QAM	50	-	-	-	45.22	28.01	-	-	-	-
B	16QAM	50	-	-	-	45.16	27.91	-	-	-	-
C	16QAM	50	-	-	-	45.17	27.80	-	-	-	-
D	16QAM	50	-	-	-	45.71	28.23	-	-	-	-
E	16QAM	50	-	-	-	45.88	28.51	-	-	-	-
F	16QAM	50	-	-	-	45.55	28.18	-	-	-	-
G	16QAM	50	-	-	-	45.85	28.48	-	-	-	-
H	16QAM	50	-	-	-	45.80	28.46	-	-	-	-
Total			-	-	-	54.58	37.24	-	-	-	-

TEST REPORT

Antenna Port	Modulation	Carrier Bandwidth (MHz)	Output power / Peak-to-Average Ratio (PAR)								
			Channel position B			Channel position M			Channel position T		
			Power (dBm)	Power (dBm /MHz)	PAR (dB)	Power (dBm)	Power (dBm /MHz)	PAR (dB)	Power (dBm)	Power (dBm /MHz)	PAR (dB)
A	16QAM	60	-	-	-	45.33	27.66	-	-	-	-
B	16QAM	60	-	-	-	45.20	27.51	-	-	-	-
C	16QAM	60	-	-	-	45.22	27.42	-	-	-	-
D	16QAM	60	-	-	-	45.71	27.82	-	-	-	-
E	16QAM	60	-	-	-	45.81	28.12	-	-	-	-
F	16QAM	60	-	-	-	45.61	27.80	-	-	-	-
G	16QAM	60	-	-	-	45.82	28.04	-	-	-	-
H	16QAM	60	-	-	-	45.88	28.02	-	-	-	-
Total			-	-	-	54.61	36.84	-	-	-	-

Antenna Port	Modulation	Carrier Bandwidth (MHz)	Output power / Peak-to-Average Ratio (PAR)								
			Channel position B			Channel position M			Channel position T		
			Power (dBm)	Power (dBm /MHz)	PAR (dB)	Power (dBm)	Power (dBm /MHz)	PAR (dB)	Power (dBm)	Power (dBm /MHz)	PAR (dB)
A	16QAM	70	-	-	-	45.17	26.34	-	-	-	-
B	16QAM	70	-	-	-	45.13	26.13	-	-	-	-
C	16QAM	70	-	-	-	45.18	26.12	-	-	-	-
D	16QAM	70	-	-	-	45.70	26.59	-	-	-	-
E	16QAM	70	-	-	-	45.82	26.80	-	-	-	-
F	16QAM	70	-	-	-	45.55	26.52	-	-	-	-
G	16QAM	70	-	-	-	45.86	26.82	-	-	-	-
H	16QAM	70	-	-	-	45.73	26.60	-	-	-	-
Total			-	-	-	54.56	35.53	-	-	-	-

Antenna Port	Modulation	Carrier Bandwidth (MHz)	Output power / Peak-to-Average Ratio (PAR)								
			Channel position B			Channel position M			Channel position T		
			Power (dBm)	Power (dBm /MHz)	PAR (dB)	Power (dBm)	Power (dBm /MHz)	PAR (dB)	Power (dBm)	Power (dBm /MHz)	PAR (dB)
A	16QAM	80	-	-	-	45.21	25.78	-	-	-	-
B	16QAM	80	-	-	-	45.13	25.59	-	-	-	-
C	16QAM	80	-	-	-	45.04	25.42	-	-	-	-
D	16QAM	80	-	-	-	45.70	26.02	-	-	-	-
E	16QAM	80	-	-	-	45.71	26.17	-	-	-	-
F	16QAM	80	-	-	-	45.57	25.96	-	-	-	-
G	16QAM	80	-	-	-	45.83	26.20	-	-	-	-
H	16QAM	80	-	-	-	45.74	26.07	-	-	-	-
Total			-	-	-	54.53	34.94	-	-	-	-

TEST REPORT

Antenna Port	Modulation	Carrier Bandwidth (MHz)	Output power / Peak-to-Average Ratio (PAR)								
			Channel position B			Channel position M			Channel position T		
			Power (dBm)	Power (dBm /MHz)	PAR (dB)	Power (dBm)	Power (dBm /MHz)	PAR (dB)	Power (dBm)	Power (dBm /MHz)	PAR (dB)
A	16QAM	90	-	-	-	45.20	25.27	-	-	-	-
B	16QAM	90	-	-	-	45.12	25.04	-	-	-	-
C	16QAM	90	-	-	-	45.01	24.91	-	-	-	-
D	16QAM	90	-	-	-	45.75	25.40	-	-	-	-
E	16QAM	90	-	-	-	45.86	25.76	-	-	-	-
F	16QAM	90	-	-	-	45.54	25.43	-	-	-	-
G	16QAM	90	-	-	-	45.84	25.72	-	-	-	-
H	16QAM	90	-	-	-	45.76	25.60	-	-	-	-
Total			-	-	-	54.55	34.43	-	-	-	-

Antenna Port	Modulation	Carrier Bandwidth (MHz)	Output power / Peak-to-Average Ratio (PAR)								
			Channel position B			Channel position M			Channel position T		
			Power (dBm)	Power (dBm /MHz)	PAR (dB)	Power (dBm)	Power (dBm /MHz)	PAR (dB)	Power (dBm)	Power (dBm /MHz)	PAR (dB)
A	16QAM	100	-	-	-	45.34	24.90	-	-	-	-
B	16QAM	100	-	-	-	45.13	24.61	-	-	-	-
C	16QAM	100	-	-	-	45.58	25.05	-	-	-	-
D	16QAM	100	-	-	-	45.73	25.10	-	-	-	-
E	16QAM	100	-	-	-	45.90	25.23	-	-	-	-
F	16QAM	100	-	-	-	45.49	24.99	-	-	-	-
G	16QAM	100	-	-	-	45.79	25.26	-	-	-	-
H	16QAM	100	-	-	-	45.83	25.16	-	-	-	-
Total			-	-	-	54.64	34.07	-	-	-	-

NR-MIMO-3C

Antenna Port	Modulation	Carrier Bandwidth (MHz)	Output power / Peak-to-Average Ratio (PAR)								
			Channel position B			Channel position M			Channel position T		
			Power (dBm)	Power (dBm /MHz)	PAR (dB)	Power (dBm)	Power (dBm /MHz)	PAR (dB)	Power (dBm)	Power (dBm /MHz)	PAR (dB)
A	16QAM	10	-	-	-	44.10	31.26	-	-	-	-
B	16QAM	10	-	-	-	43.85	31.09	-	-	-	-
C	16QAM	10	-	-	-	44.93	32.08	-	-	-	-
D	16QAM	10	-	-	-	44.40	31.55	-	-	-	-
E	16QAM	10	-	-	-	44.70	31.84	-	-	-	-
F	16QAM	10	-	-	-	44.24	31.34	-	-	-	-
G	16QAM	10	-	-	-	44.58	31.59	-	-	-	-
H	16QAM	10	-	-	-	44.57	31.56	-	-	-	-
Total			-	-	-	53.46	40.58	-	-	-	-

TEST REPORT

Antenna Port	Modulation	Carrier Bandwidth (MHz)	Output power / Peak-to-Average Ratio (PAR)								
			Channel position B			Channel position M			Channel position T		
			Power (dBm)	Power (dBm /MHz)	PAR (dB)	Power (dBm)	Power (dBm /MHz)	PAR (dB)	Power (dBm)	Power (dBm /MHz)	PAR (dB)
A	16QAM	15	-	-	-	45.25	31.07	-	-	-	-
B	16QAM	15	-	-	-	45.03	30.98	-	-	-	-
C	16QAM	15	-	-	-	46.14	32.08	-	-	-	-
D	16QAM	15	-	-	-	45.64	31.37	-	-	-	-
E	16QAM	15	-	-	-	45.86	31.64	-	-	-	-
F	16QAM	15	-	-	-	45.42	31.38	-	-	-	-
G	16QAM	15	-	-	-	45.72	31.42	-	-	-	-
H	16QAM	15	-	-	-	45.74	31.51	-	-	-	-
Total			-	-	-	54.64	40.47	-	-	-	-

Antenna Port	Modulation	Carrier Bandwidth (MHz)	Output power / Peak-to-Average Ratio (PAR)								
			Channel position B			Channel position M			Channel position T		
			Power (dBm)	Power (dBm /MHz)	PAR (dB)	Power (dBm)	Power (dBm /MHz)	PAR (dB)	Power (dBm)	Power (dBm /MHz)	PAR (dB)
A	16QAM	20	-	-	-	45.23	30.04	-	-	-	-
B	16QAM	20	-	-	-	45.17	29.86	-	-	-	-
C	16QAM	20	-	-	-	46.12	30.84	-	-	-	-
D	16QAM	20	-	-	-	45.59	30.14	-	-	-	-
E	16QAM	20	-	-	-	45.83	30.47	-	-	-	-
F	16QAM	20	-	-	-	45.46	30.19	-	-	-	-
G	16QAM	20	-	-	-	45.72	30.50	-	-	-	-
H	16QAM	20	-	-	-	45.73	30.43	-	-	-	-
Total			-	-	-	54.65	39.35	-	-	-	-

Antenna Port	Modulation	Carrier Bandwidth (MHz)	Output power / Peak-to-Average Ratio (PAR)								
			Channel position B			Channel position M			Channel position T		
			Power (dBm)	Power (dBm /MHz)	PAR (dB)	Power (dBm)	Power (dBm /MHz)	PAR (dB)	Power (dBm)	Power (dBm /MHz)	PAR (dB)
A	16QAM	30	-	-	-	45.29	28.43	-	-	-	-
B	16QAM	30	-	-	-	45.17	28.29	-	-	-	-
C	16QAM	30	-	-	-	46.17	29.17	-	-	-	-
D	16QAM	30	-	-	-	45.61	28.65	-	-	-	-
E	16QAM	30	-	-	-	45.81	28.83	-	-	-	-
F	16QAM	30	-	-	-	45.67	28.72	-	-	-	-
G	16QAM	30	-	-	-	45.79	28.74	-	-	-	-
H	16QAM	30	-	-	-	45.75	28.78	-	-	-	-
Total			-	-	-	54.70	37.74	-	-	-	-

TEST REPORT

Antenna Port	Modulation	Carrier Bandwidth (MHz)	Output power / Peak-to-Average Ratio (PAR)								
			Channel position B			Channel position M			Channel position T		
			Power (dBm)	Power (dBm /MHz)	PAR (dB)	Power (dBm)	Power (dBm /MHz)	PAR (dB)	Power (dBm)	Power (dBm /MHz)	PAR (dB)
A	16QAM	40	-	-	-	45.17	27.13	-	-	-	-
B	16QAM	40	-	-	-	45.11	27.00	-	-	-	-
C	16QAM	40	-	-	-	46.03	27.87	-	-	-	-
D	16QAM	40	-	-	-	45.65	27.36	-	-	-	-
E	16QAM	40	-	-	-	45.86	27.51	-	-	-	-
F	16QAM	40	-	-	-	45.63	27.45	-	-	-	-
G	16QAM	40	-	-	-	45.74	27.45	-	-	-	-
H	16QAM	40	-	-	-	45.72	27.46	-	-	-	-
Total			-	-	-	54.65	36.44	-	-	-	-

Antenna Port	Modulation	Carrier Bandwidth (MHz)	Output power / Peak-to-Average Ratio (PAR)								
			Channel position B			Channel position M			Channel position T		
			Power (dBm)	Power (dBm /MHz)	PAR (dB)	Power (dBm)	Power (dBm /MHz)	PAR (dB)	Power (dBm)	Power (dBm /MHz)	PAR (dB)
A	16QAM	50	-	-	-	45.24	26.28	-	-	-	-
B	16QAM	50	-	-	-	45.13	26.09	-	-	-	-
C	16QAM	50	-	-	-	46.06	26.91	-	-	-	-
D	16QAM	50	-	-	-	45.71	26.52	-	-	-	-
E	16QAM	50	-	-	-	45.88	26.65	-	-	-	-
F	16QAM	50	-	-	-	45.67	26.63	-	-	-	-
G	16QAM	50	-	-	-	45.74	26.66	-	-	-	-
H	16QAM	50	-	-	-	45.74	26.58	-	-	-	-
Total			-	-	-	54.69	35.58	-	-	-	-

The DUT is tested without antenna. EIRP compliance is addressed at the time of licensing, as required by the responsible FCC Bureau. Licensee's are required to take into account maximum allowed antenna gain used in combination with above power settings to prevent the radiated output power to exceed the limits.

TEST REPORT**4 Occupied Bandwidth****Test result: Pass****4.1 Measurement Procedure**

The EUT was set to transmit at maximum power and testing was carried out on bottom, middle and top channels. Using the Occupied Bandwidth measurement function in the spectrum analyzer, the 26dB bandwidth was measured in accordance with FCC KDB 971168 D01 Clause 4.2.

The measurement method is from KDB 971168 4.2:

- a) The spectrum analyzer center frequency is set to the nominal EUT channel center frequency. The frequency span for the spectrum analyzer shall be set wide enough to capture all modulation products including the emission skirts (i.e., two to five times the OBW).
- b) The nominal IF filter bandwidth (3 dB RBW) shall be in the range of 1 to 5 % of the anticipated OBW, and the VBW shall be at least 3 times the RBW.
- c) Set the reference level of the instrument as required to keep the signal from exceeding the maximum input mixer level for linear operation. In general, the peak of the spectral envelope must be at least $10\log(\text{OBW} / \text{RBW})$ below the reference level.
- d) Set the detection mode to peak, and the trace mode to max hold.
- e) Use the 99 % power bandwidth function of the spectrum analyzer and report the measured bandwidth.

4.2 Measurement result

NR-MIMO-1C

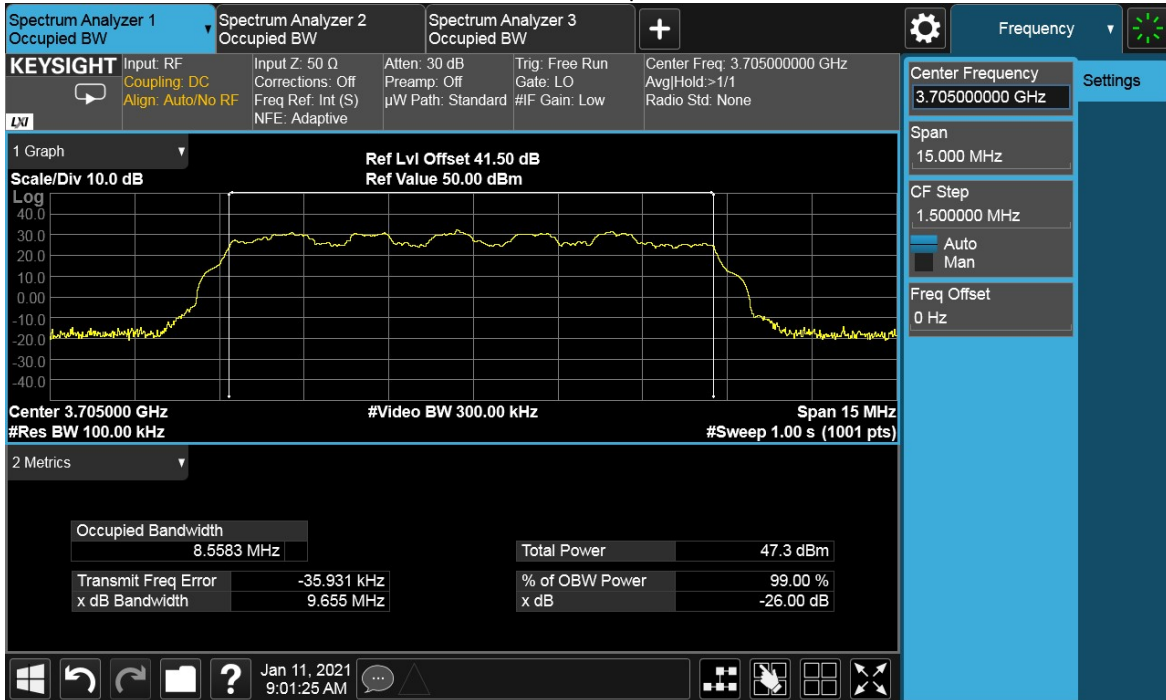
99% Occupied Bandwidth

Antenna Port	Modulation	Bandwidth	Occupied Bandwidth (MHz)		
			Channel Position B	Channel Position M	Channel Position T
E	16QAM	10MHz	8.5583	8.5614	8.5625
E	16QAM	15MHz	13.591	13.608	13.602
E	16QAM	20MHz	18.288	18.295	18.279
E	16QAM	30MHz	27.890	27.902	27.881
E	16QAM	40MHz	37.877	37.912	37.878
E	16QAM	50MHz	47.434	47.435	47.437
E	16QAM	60MHz	57.898	57.949	57.913
E	16QAM	70MHz	67.397	67.441	67.398
E	16QAM	80MHz	77.355	77.460	77.311
E	16QAM	90MHz	87.364	87.497	87.439
E	16QAM	100MHz	97.150	97.254	97.129

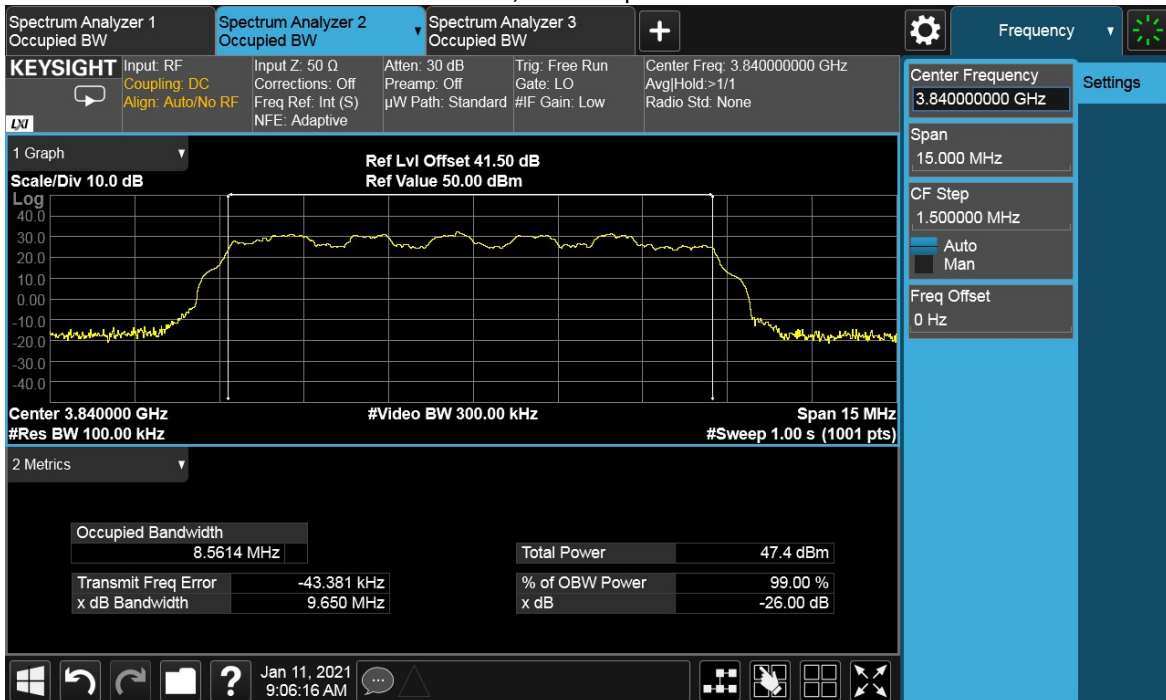
-26dBc Occupied Bandwidth

Antenna Port	Modulation	Bandwidth	Occupied Bandwidth (MHz)		
			Channel Position B	Channel Position M	Channel Position T
E	16QAM	10MHz	9.655	9.650	9.655
E	16QAM	15MHz	14.54	14.57	14.59
E	16QAM	20MHz	19.72	19.72	19.70
E	16QAM	30MHz	29.39	29.40	29.40
E	16QAM	40MHz	39.78	39.79	39.76
E	16QAM	50MHz	49.39	49.36	49.40
E	16QAM	60MHz	59.77	59.83	59.80
E	16QAM	70MHz	69.98	70.00	70.02
E	16QAM	80MHz	80.16	80.19	80.13
E	16QAM	90MHz	90.15	90.21	90.13
E	16QAM	100MHz	100.5	100.5	100.5

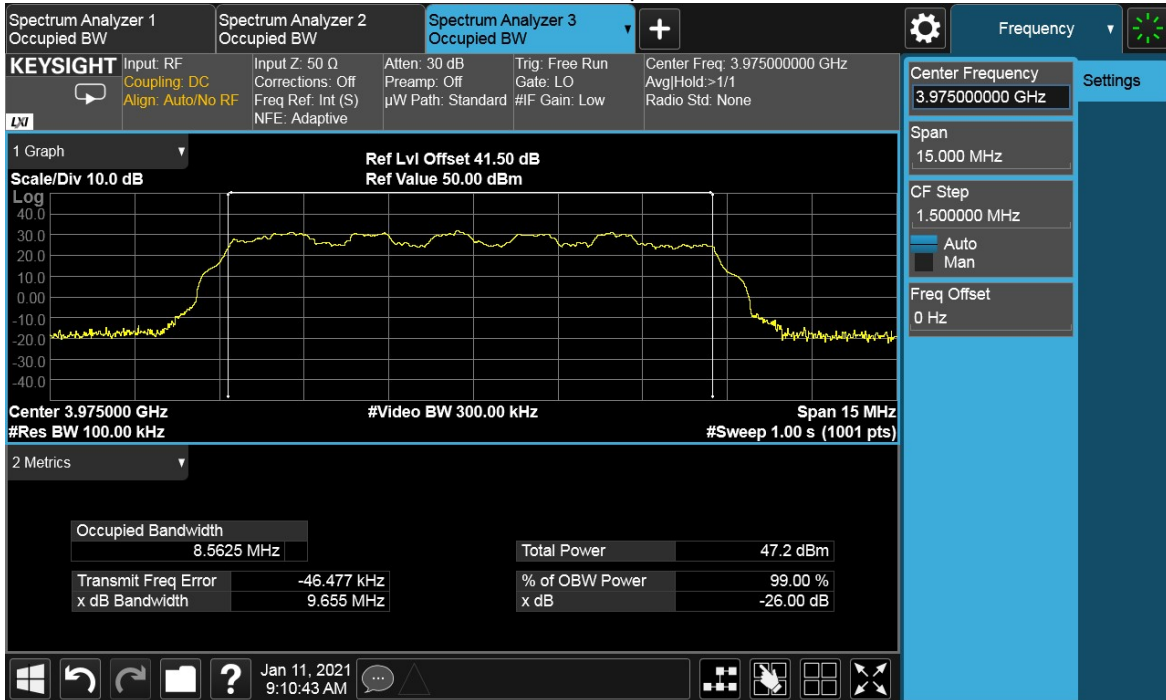
10MHz, Channel position B



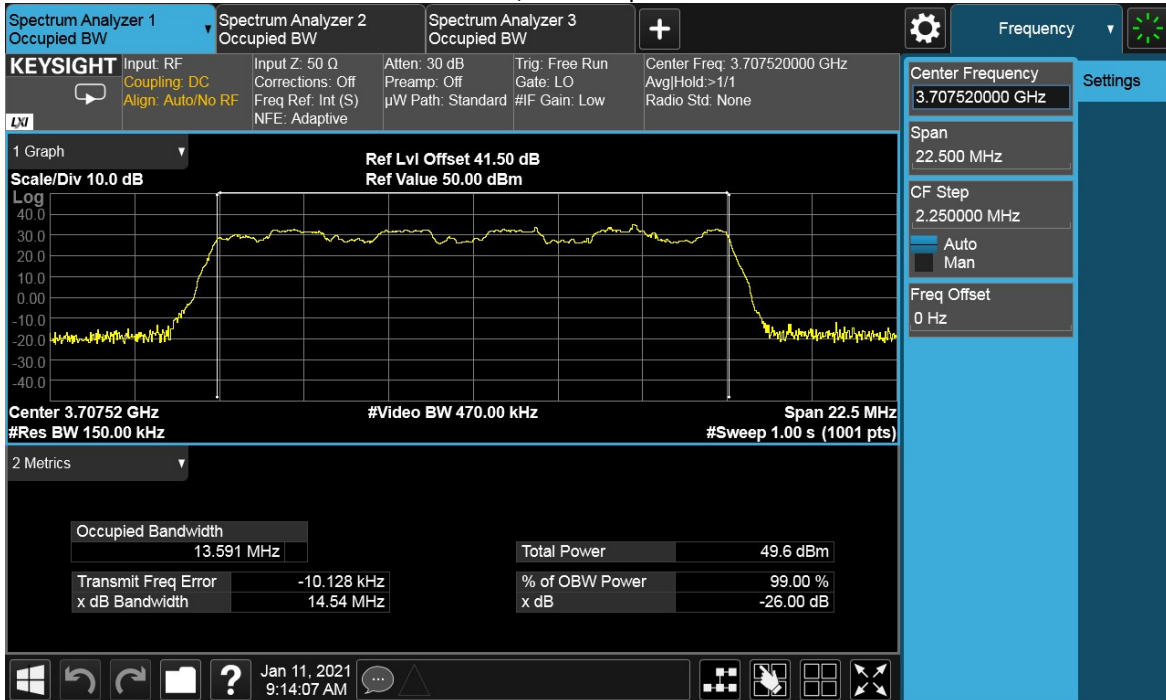
10MHz, Channel position M



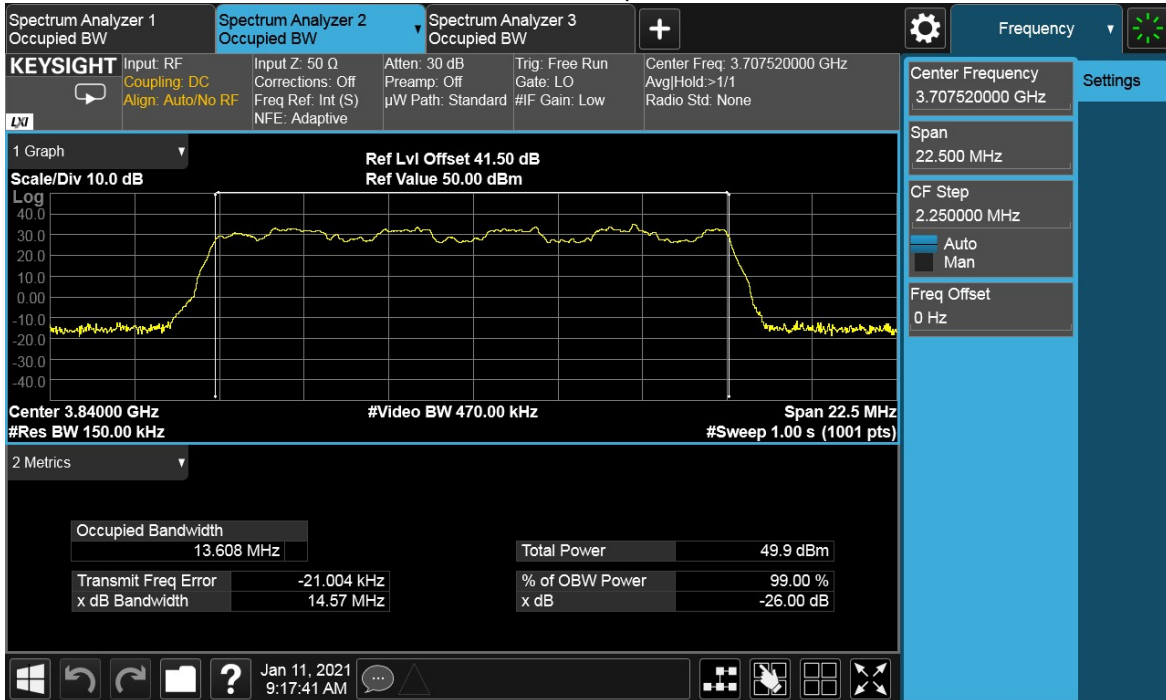
10MHz, Channel position T



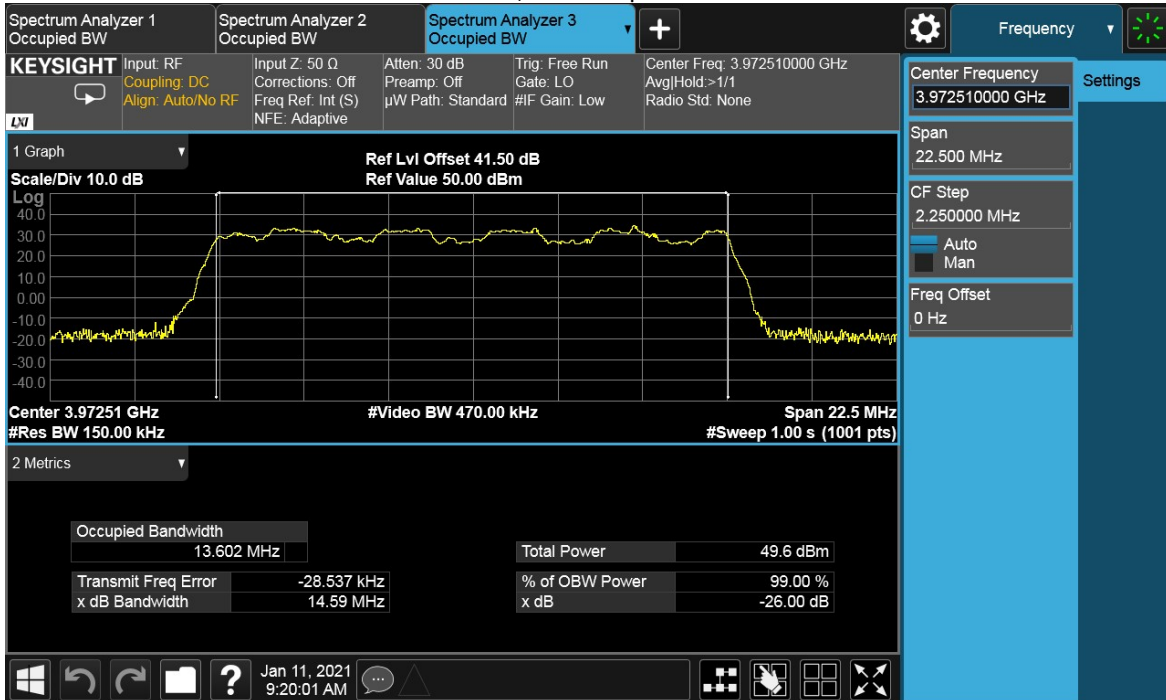
15MHz, Channel position B



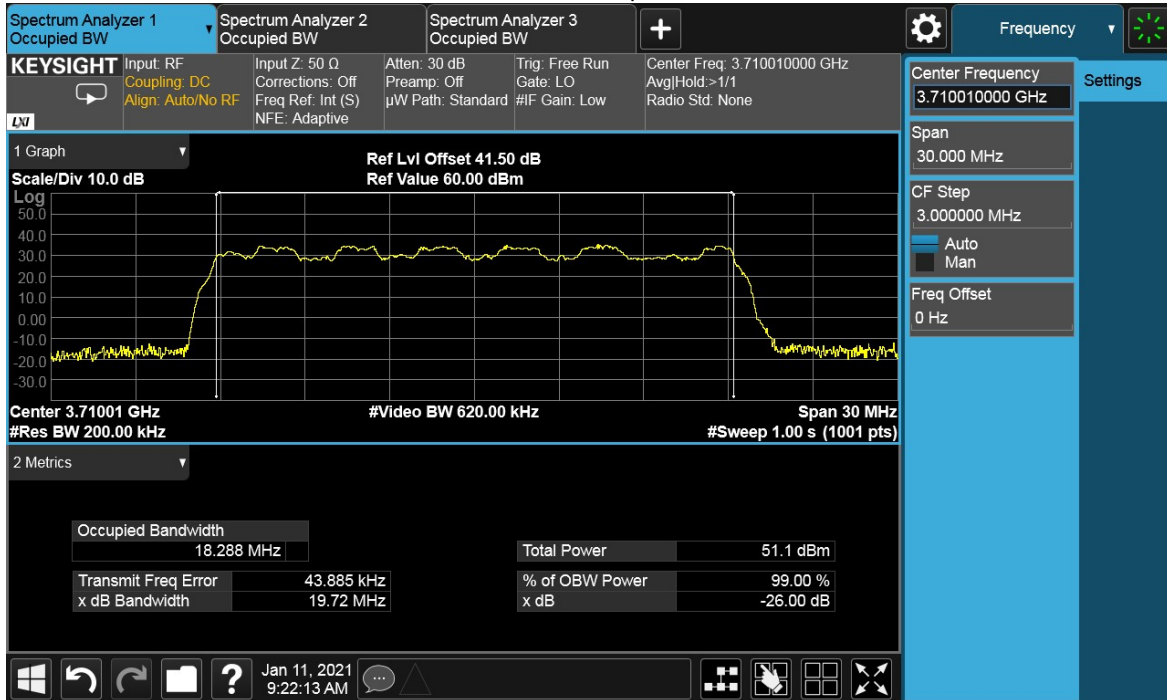
15MHz, Channel position M



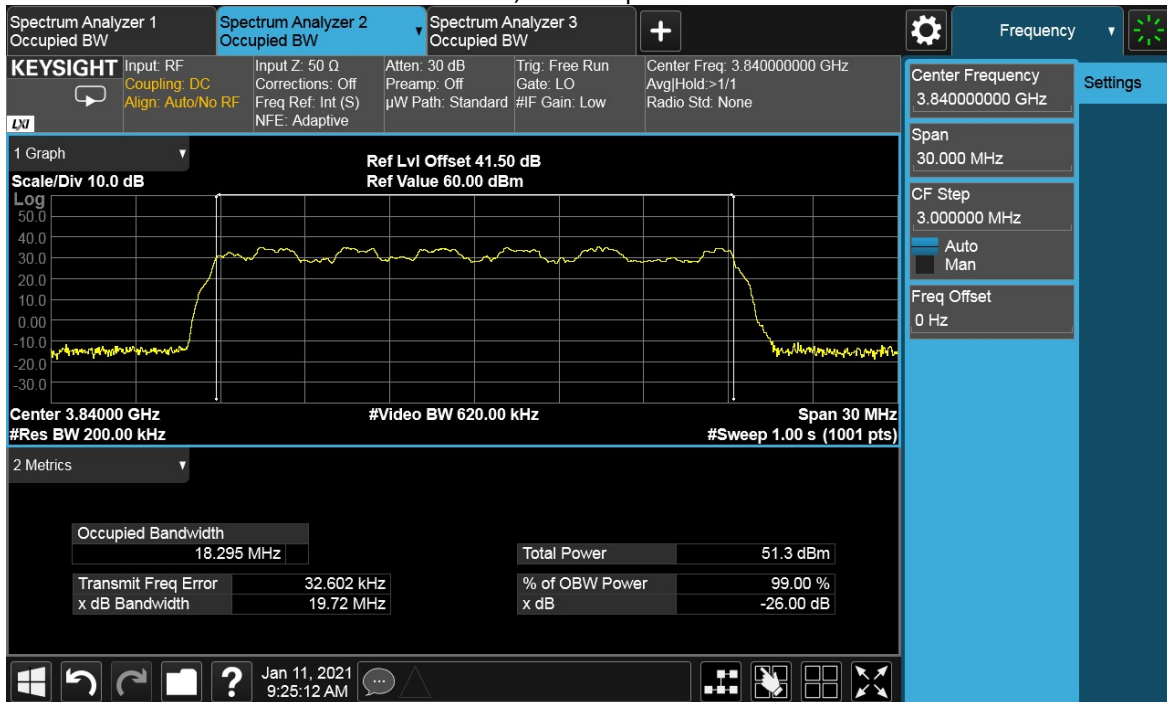
15MHz, Channel position T



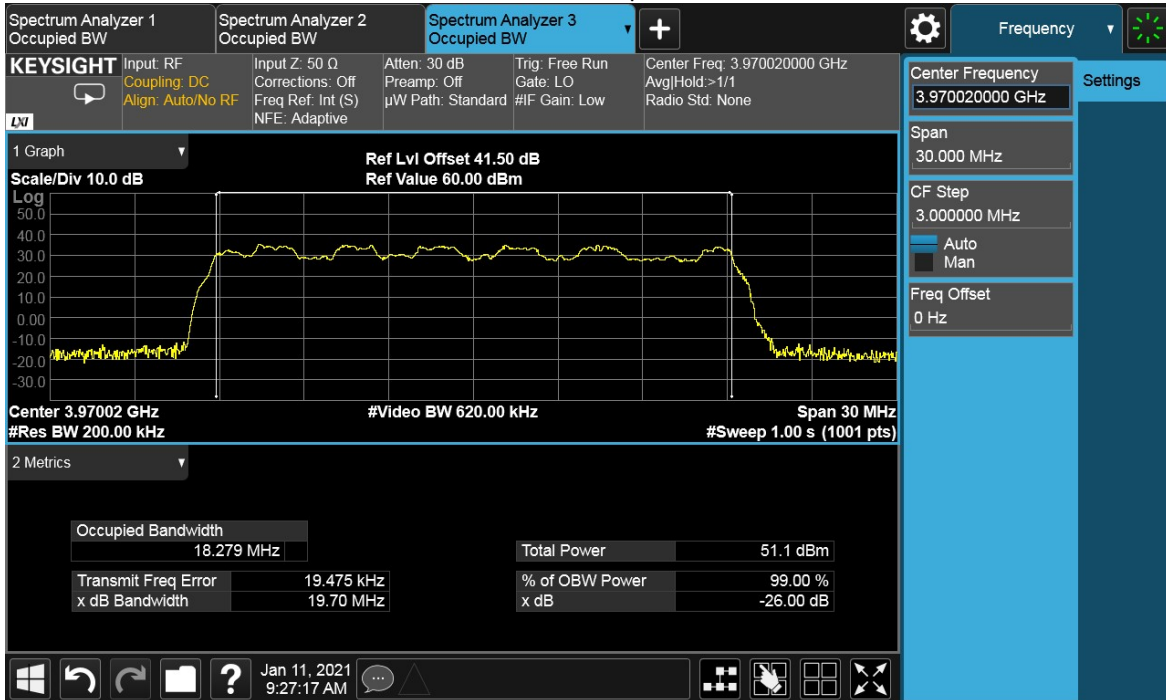
20MHz, Channel position B



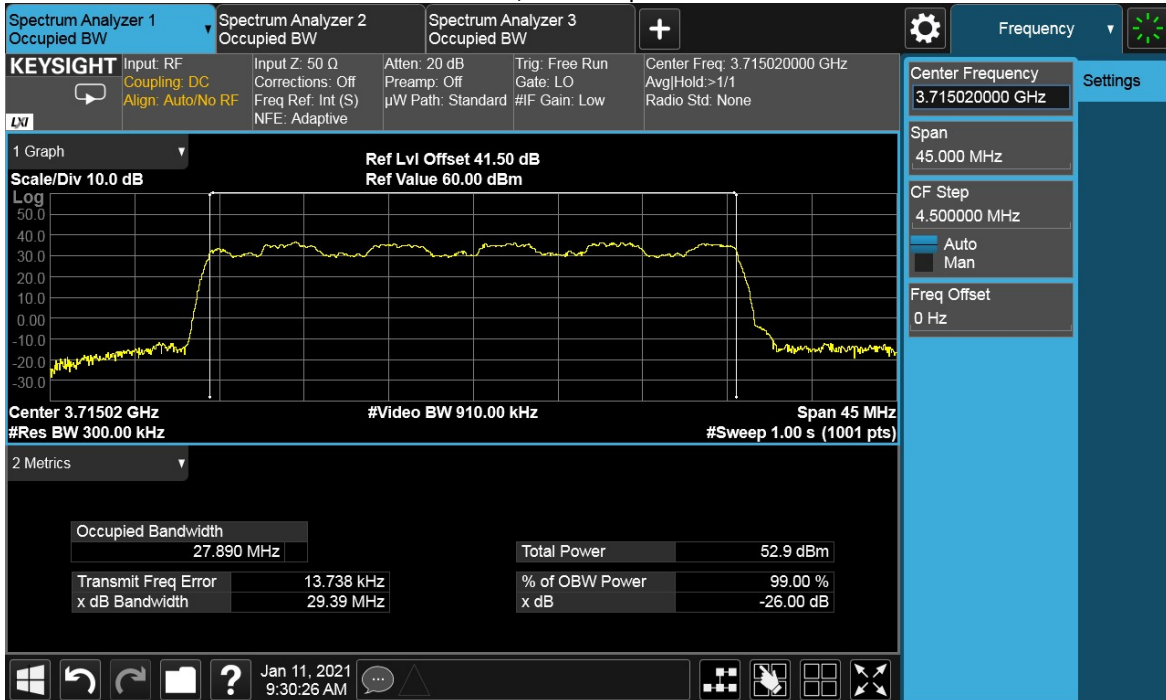
20MHz, Channel position M



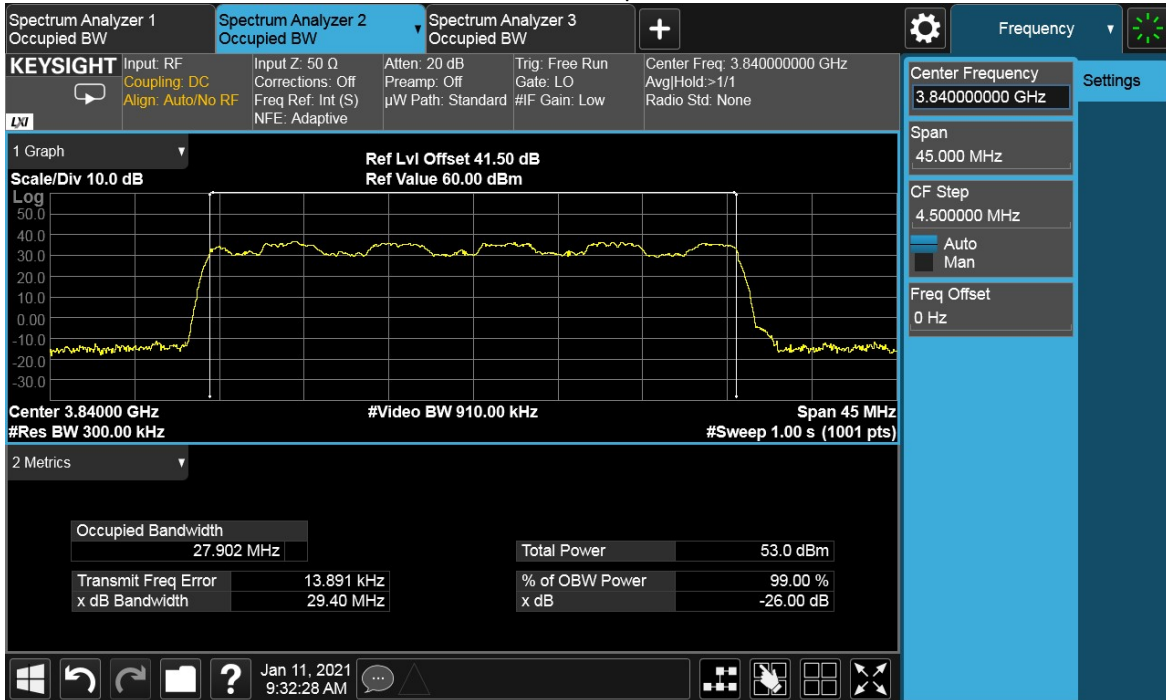
20MHz, Channel position T



30MHz, Channel position B



30MHz, Channel position M



30MHz, Channel position T

