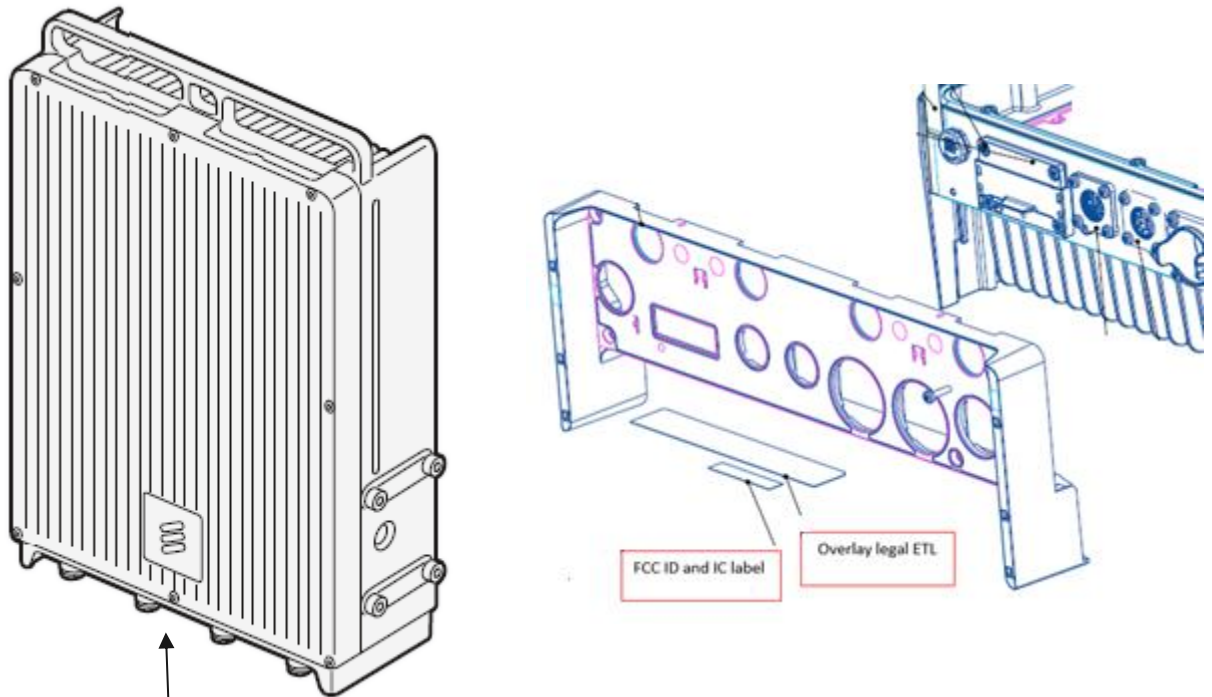


Confidentiality Class	External Confidentiality Label	Document Type	Page
Ericsson Confidential			1 (1)
Prepared By (Subject Responsible)	Approved By (Document Responsible)		Checked
EHELAUD Audun Helle			
Document Number	Revision	Date	Reference
	A	2020-06-02	



Exhibit 1- ID label and placement

Radio 4480 44B2/B25 44B66A C



FCC ID: TA8AKRC161844
 IC: 287AB-AS161844
 AS161844



The label is a plastic sticker affixed to the product via permanent adhesive. It is designed to last the expected lifetime of the product in the environment in which the product is to be operated.