

Ericsson AB

RF TEST REPORT

Report Type:
FCC Part 27 RF report

PRODUCT NAME:
Radio 4402 B66A

REPORT NUMBER:
200500652SHA-001

ISSUE DATE:
May 6, 2020

DOCUMENT CONTROL NUMBER:
TTRFFCC Part 27_V1 © 2018 Intertek



Applicant: Ericsson AB
Isafjordsgatan 10 SE-164 80 Stockholm 16480 Sweden

Manufacturer: Ericsson AB
Isafjordsgatan 10 SE-164 80 Stockholm 16480 Sweden

FCC ID: TA8AKRC161742-1

IC: 287AB-AS1617421

SUMMARY:

The equipment complies with the requirements according to the following standard(s) or Specification:

FCC CFR 47 Part 27: MISCELLANEOUS WIRELESS COMMUNICATIONS SERVICES

ISED RSS-139 Issue 3: Advanced Wireless Services (AWS) Equipment Operating in the Bands 1710-1780 MHz and 2110-2180 MHz

PREPARED BY:



Project Engineer
Nemo Li

REVIEWED BY:



Reviewer
Daniel Zhao

This report is for the exclusive use of Intertek's Client and is provided pursuant to the agreement between Intertek and its Client. Intertek's responsibility and liability are limited to the terms and conditions of the agreement. Intertek assumes no liability to any party, other than to the Client in accordance with the agreement, for any loss, expense or damage occasioned by the use of this report. Only the Client is authorized to permit copying or distribution of this report and then only in its entirety. Any use of the Intertek name or one of its marks for the sale or advertisement of the tested material, product or service must first be approved in writing by Intertek. The observations and test results in this report are relevant only to the sample tested. This report by itself does not imply that the material, product, or service is or has ever been under an Intertek certification program.

TEST REPORT

Content

REVISION HISTORY..... 4

MEASUREMENT RESULT SUMMARY 5

1 GENERAL INFORMATION 6

1.1 DESCRIPTION OF EQUIPMENT UNDER TEST (EUT) 6

1.2 TECHNICAL SPECIFICATION 7

1.3 DESCRIPTION OF TEST FACILITY 8

2 TEST SPECIFICATIONS..... 9

2.1 RELATED DOCUMENTS 9

2.2 PRODUCT INFORMATION..... 9

2.3 CONFIGURATION DESCRIPTION..... 10

2.4 TEST SETUP..... 20

2.5 TEST ENVIRONMENT CONDITION:..... 22

2.6 INSTRUMENT LIST 23

2.7 MEASUREMENT UNCERTAINTY 25

3 MAXIMUM OUTPUT POWER AND PEAK TO AVERAGE POWER RATIO AND EIRP 26

3.1 LIMIT 26

3.2 MEASUREMENT PROCEDURE 26

3.3 MEASUREMENT RESULT 27

4 OCCUPIED BANDWIDTH 59

4.1 MEASUREMENT PROCEDURE 59

4.2 MEASUREMENT RESULT 60

5 UNWANTED EMISSIONS AT BAND EDGE 88

5.1 LIMIT 88

5.2 MEASUREMENT PROCEDURE 88

5.3 MEASUREMENT RESULT 89

6 CONDUCTED UNWANTED EMISSION 243

6.1 LIMIT 243

6.2 MEASUREMENT PROCEDURE 243

6.3 MEASUREMENT RESULT 244

7 RADIATED UNWANTED EMISSION 319

7.1 LIMIT 319

7.2 MEASUREMENT PROCEDURE 319

7.3 MEASUREMENT RESULT 320

8 FREQUENCY STABILITY 335

8.1 LIMIT 335

8.2 MEASUREMENT PROCEDURE 335

8.3 MEASUREMENT RESULT 336

Revision History

| Report No. | Version | Description | Issued Date |
|------------------|---------|-------------------------|-------------|
| 200500652SHA-001 | Rev. 01 | Initial issue of report | May 6, 2020 |

Measurement result summary

| TEST ITEM | FCC REFERANCE | IC REFERANCE | RESULT |
|---|--------------------|---------------------|--------|
| Max Output Power and Peak to Average Power Ratio and EIRP | 27.50(d) | RSS-139 4.1, 6.5 | Pass |
| Occupied Bandwidth | 27.53(h) 2.1049 | RSS-GEN 6.7 | Pass |
| Unwanted Emissions at Band Edge | 27.53(h) | RSS-139 6.6 | Pass |
| Conducted Unwanted Emission | 27.53(h) | RSS-139 6.6 | Pass |
| Radiated Unwanted Emissions | 27.53(h) | RSS-139 6.6 | Pass |
| Frequency Stability | 27.54 | RSS-139 6.4 | Pass |

1 GENERAL INFORMATION

1.1 Description of Equipment Under Test (EUT)

| | |
|-----------------------|---------------------------------|
| Description: | Remote Radio Unit |
| Product name: | Radio 4402 B66A |
| Product number: | KRC 161 742/1 |
| HVIN | AS1617421 |
| Serial Number(s) | D829783591 |
| Rating: | 36V DC |
| Software Version: | CXP9013268%15-R82CB |
| Hardware Version: | R1C |
| Sample received date: | April 20, 2020 |
| Date of test: | April 20, 2020 ~ April 27, 2020 |

TEST REPORT

1.2 Technical Specification

| | |
|-------------------------------|--|
| Frequency Range: | RX: 1710-1780 MHz, TX: 2110-2180 MHz (LTE, NR) RX: 1710-1755 MHz, TX: 2110-2155 MHz (WCDMA) |
| Number of Antenna ports: | 4 TX/RX |
| Supported RAT: | WCDMA, LTE, NB-IoT, NR |
| Supported other mode: | / |
| Max RF bandwidth (IBW): | NB-IoT Standalone: 20MHz WCDMA: 45MHz LTE, NR: 70MHz |
| Supported Number of Carriers: | Maximum 6 carriers per port for all configuration (maximum 1 carrier for NB-IoT-Standalone). |
| Supported modulation: | NB-IoT: QPSK WCDMA: QPSK, 16QAM, 64QAM LTE, NR: QPSK, 16QAM, 64QAM, 256QAM |
| Supported Channel Bandwidth: | WCDMA: 5MHz LTE: 1.4MHz, 3MHz, 5MHz, 10MHz, 15MHz, 20MHz NR: 5MHz, 10MHz, 15MHz, 20 MHz, with 15kHz SCS |
| Declaration output power: | Maximum 37.0 dBm (5W) per port. Maximum 34.0 dBm (2.5W) per port for LTE 1.4M and 3M single carrier. Maximum 33.0 dBm (2W) per port for NB-IoT-Standalone. |
| Antenna Gain: | KRE 105 280/1, Gain: 10.5dBi |

1.3 Description of Test Facility

| | |
|---|--|
| Name: | Intertek Testing Services Shanghai |
| Address 1: | Building 86, No. 1198 Qinzhou Road(North), Shanghai 200233, P.R. China |
| Address 2: | No. 5 Lize East Street, Ericsson Tower, Chaoyang District, Beijing 100102 P.R.C. |
| Telephone: | +86 21 61278200 |
| Telefax: | +86 21 54262353 |
| The test facility is recognized, certified, or accredited by these organizations: | FCC Accredited Lab Designation Number: CN1175, CN1258 |
| | IC Registration Lab CAB identifier.: CN0051 |
| | A2LA Accreditation Lab Certificate Number: 3309.02, 3309.04 |

2 TEST SPECIFICATIONS

2.1 Related documents

FCC Part 27 (2019)
FCC Part 2 (2019)
ISED RSS-139 issue 3 July 2015
ISED RSS-Gen issue 5 March 2019 Amendment 1
ANSI C63.26:2015
KDB 971168 D01 v03r01
KDB 662911 D01 v02r01

2.2 Product Information

The Equipment Under Test (EUT) is an Ericsson Antenna Integrated Radio Unit working in the wireless communications services 2100MHz band which provides communication connections to network in WCDMA / LTE / NB-IoT / NR modes and MSR modes. The Radio 4402 B66A KRC 161 742/1 operates from a -48V DC or a 120V AC power supply.

The EUT includes 4 TX/RX ports and it can be configured to transmit in MIMO mode for LTE and NR carriers, and MIMO mode was used for measurements as the worst configuration. The complete testing was performed with the EUT transmitting at maximum RF power unless otherwise stated.

A full technical description can be found in the Manufacturer's documentation.

2.3 Configuration Description

The following settings were used to representative for all traffic scenarios when settings with different modulations, channel bandwidths, number for carriers and RF configurations have been tested to find the worst case setting. The settings below were used for all measurements unless otherwise noted:

NR

| Configuration | No. of Carriers | NR Channel Bandwidth (MHz) | Carrier Frequency Configuration (MHz) | | |
|---------------|-----------------|----------------------------|---------------------------------------|---|--------|
| | | | Bottom | Middle | Top |
| NR-MIMO-1C | 1 | 5 | 2112.5 | 2145 | 2177.5 |
| | | 10 | 2115 | 2145 | 2175 |
| | | 15 | 2117.5 | 2145 | 2172.5 |
| | | 20 | 2120 | 2145 | 2170 |
| NR-MIMO-2C | 2 | 5 | - | 2112.5+2177.5 | - |
| | | 10 | - | 2115+2175 | - |
| | | 15 | - | 2117.5+2172.5 | - |
| | | 20 | - | 2120+2170 | - |
| NR-MIMO-6C | 6 | 5 | - | 2112.5+2117.5+2122.5 +2167.5+2172.5+2177.5 | - |
| | | 10 | - | 2115+2125+2135 +2155+2165+2175 | - |

W+NR

| Configuration | No. of Carriers | NR Channel Bandwidth | Carrier Frequency Configuration (MHz) | | |
|----------------|-----------------|----------------------|---------------------------------------|---|-----|
| | | | Bottom | Middle | Top |
| W+NR-MIMO-MC-1 | 1W+1NR | 5 | - | (W)2112.4 + (NR)2177.5 | - |
| | | 10 | - | (W)2112.4 + (NR)2175 | - |
| | | 15 | - | (W)2112.4 + (NR)2172.5 | - |
| | | 20 | - | (W)2112.4 + (NR)2170 | - |
| W+NR-MIMO-MC-2 | 2W+1NR | 5 | - | (W)2112.4+2117.4+(NR)2177.5 | - |
| | | 10 | - | (W)2112.4+2117.4+(NR)2175 | - |
| | | 15 | - | (W)2112.4+2117.4+(NR)2172.5 | - |
| | | 20 | - | (W)2112.4+2117.4+(NR)2170 | - |
| W+NR-MIMO-MC-3 | 3W+3NR | 5 | - | (W)2112.4 + 2117.4 + 2122.4 + (NR)2167.5 + 2172.5 + 2177.5 | - |
| | | 10 | - | (W)2112.4 + 2117.4 + 2122.4 + (NR)2155 + 2165 + 2175 | - |
| | | 15 | - | (W)2112.4 + 2117.4 + 2122.4 + (NR)2142.5 + 2157.5 + 2172.5 | - |
| W+NR-MIMO-MC-4 | 2W+3NR | 20 | - | (W)2112.4 + 2117.4 + (NR) 2130 + 2150 + 2170 | - |

TEST REPORT

L+NR

| Configuration | Carrier | NR Carrier Bandwidth (MHz) | Carrier Frequency Configuration (MHz) | | | LTE Carrier Bandwidth (MHz) |
|----------------|---------|----------------------------|---------------------------------------|---|-----|-----------------------------|
| | | | Bottom | Middle | Top | |
| L+NR-MIMO-MC-1 | 1L+1NR | 5 | - | (NR)2112.5 + (L)2179.3 | - | 1.4 |
| | | 5 | - | (NR)2112.5 + (L)2178.5 | - | 3 |
| | | 5 | - | (NR)2112.5 + (L)2177.5 | - | 5 |
| | | 10 | - | (NR)2115 + (L)2179.3 | - | 1.4 |
| | | 10 | - | (NR)2115 + (L)2177.5 | - | 5 |
| | | 15 | - | (NR)2117.5 + (L)2179.3 | - | 1.4 |
| | | 15 | - | (NR)2117.5 + (L)2177.5 | - | 5 |
| | | 20 | - | (NR)2120 + (L)2179.3 | - | 1.4 |
| | | 20 | - | (NR)2120 + (L)2177.5 | - | 5 |
| L+NR-MIMO-MC-2 | 1L+2NR | 5 | - | (NR)2112.5+ 2117.5+ (L)2179.3 | - | 1.4 |
| | | 5 | - | (NR)2112.5+ 2117.5+ (L)2178.5 | - | 3 |
| | | 5 | - | (NR)2112.5+2117.5 + (L)2177.5 | - | 5 |
| | | 10 | - | (NR)2115+2125 + (L)2179.3 | - | 1.4 |
| | | 10 | - | (NR)2115+2125 + (L)2177.5 | - | 5 |
| | | 15 | - | (NR)2117.5+2132.5 + (L)2179.3 | - | 1.4 |
| | | 15 | - | (NR)2117.5+2132.5 + (L)2177.5 | - | 5 |
| | | 20 | - | (NR)2120+2140 + (L)2179.3 | - | 1.4 |
| | | 20 | - | (NR)2120+2140 + (L)2177.5 | - | 5 |
| L+NR-MIMO-MC-3 | 3L+3NR | 5 | - | (NR)2112.5+ 2117.5+ 2122.5+ (L)2176.5+2177.9+2179.3 | - | 1.4 |
| | | 5 | - | (NR)2112.5+ 2117.5+ 2122.5+ (L)2172.5+2175.5+2178.5 | - | 3 |
| | | 5 | - | (NR)2112.5+ 2117.5+ 2122.5+ (L)2167.5+2172.5+2177.5 | - | 5 |
| | | 10 | - | (NR)2115+ 2125+ 2135+ (L)2176.5+2177.9+2179.3 | - | 1.4 |
| | | 10 | - | (NR)2115+ 2125+ 2135+ (L)2167.5+2172.5+2177.5 | - | 5 |
| | | 15 | - | (NR)2117.5+ 2132.5+ 2147.5+ (L)2176.5+2177.9+2179.3 | - | 1.4 |
| | | 15 | - | (NR)2117.5+ 2132.5+ 2147.5+ (L)2167.5+2172.5+2177.5 | - | 5 |
| L+NR-MIMO-MC-4 | 2L+3NR | 20 | - | (NR)2120+ 2140+ 2160+ (L)2177.9+2179.3 | - | 1.4 |

TEST REPORT

| | | | | | | |
|--|--|----|---|---|---|---|
| | | 20 | - | (NR)2120+ 2140+ 2160+ (L)2172.5+2177.5 | - | 5 |
|--|--|----|---|---|---|---|

SA+NR

| Configuration | Carrier | NR Carrier Bandwidth (MHz) | Carrier Frequency Configuration (MHz) | | |
|-----------------|-------------|----------------------------|---------------------------------------|---|-----|
| | | | Bottom | Middle | Top |
| NB+NR-MIMO-MC-1 | 1SA+1N R | 5 | - | (NR)2112.5+(SA)2179.8 | - |
| | | 10 | - | (NR)2115+(SA)2179.8 | - |
| | | 15 | - | (NR)2117.5+(SA)2179.8 | - |
| | | 20 | - | (NR)2120+(SA)2179.8 | - |
| NB+NR-MIMO-MC-2 | 1SA+2N R | 5 | - | (NR)2112.5+2117.5+(SA)2179.8 | - |
| | | 10 | - | (NR)2115+2125+(SA)2179.8 | - |
| | | 15 | - | (NR)2117.5+2132.5+(SA)2179.8 | - |
| | | 20 | - | (NR)2120+2140+(SA)2179.8 | - |
| NB+NR-MIMO-MC-3 | 1SA+3N R | 20 | - | (NR)2120+2140+2160+(SA)2179.8 | - |
| NB+NR-MIMO-MC-4 | 1SA+4N R | 15 | - | (NR)2117.5+2132.5+2147.5+2162.5 +(SA)2179.8 | - |
| NB+NR-MIMO-MC-5 | 1SA+5N R | 5 | - | (NR)2112.5+2117.5+2122.5+2127.5 +2132.5+(SA)2179.8 | - |
| NB+NR-MIMO-MC-5 | 1SA+5N R | 10 | - | (NR)2115+2125+2135+2145+2155+ (SA)2179.8 | - |

W+L+NR

| Configuration | Carrier | NR Carrier Bandwidth (MHz) | Carrier Frequency Configuration (MHz) | | | LTE Carrier Bandwidth (MHz) |
|------------------|---------------|----------------------------|---------------------------------------|-------------------------------------|-----|-----------------------------|
| | | | Bottom | Middle | Top | |
| W+L+NR-MIMO-MC-1 | 1W+1L+1 NR | 5 | - | (NR)2112.5+(W)2152.6 + (L)2179.3 | - | 1.4 |
| | | 5 | - | (NR)2112.5+(W)2152.6 + (L)2178.5 | - | 3 |
| | | 5 | - | (NR)2112.5+(W)2152.6 + (L)2177.5 | - | 5 |
| | | 10 | - | (NR)2115+(W)2152.6 + (L)2179.3 | - | 1.4 |
| | | 10 | - | (NR)2115+(W)2152.6 + (L)2177.5 | - | 5 |
| | | 15 | - | (NR)2117.5+(W)2152.6 + (L)2179.3 | - | 1.4 |
| | | 15 | - | (NR)2117.5+(W)2152.6 + (L)2177.5 | - | 5 |
| | | 20 | - | (NR)2120+(W)2152.6 + (L)2179.3 | - | 1.4 |
| | | 20 | - | (NR)2120+(W)2152.6 + (L)2177.5 | - | 5 |

TEST REPORT

| | | | | | | |
|------------------|------------|----|---|---|---|-----|
| W+L+NR-MIMO-MC-2 | 2W+1L+1 NR | 5 | - | (NR)2112.5+(W)2147.6+2152.6 + (L)2179.3 | - | 1.4 |
| | | 5 | - | (NR)2112.5+(W)2147.6+2152.6 + (L)2178.5 | - | 3 |
| | | 5 | - | (NR)2112.5+(W)2147.6+2152.6 + (L)2177.5 | - | 5 |
| | | 10 | - | (NR)2115+(W)2147.6+2152.6 + (L)2179.3 | - | 1.4 |
| | | 10 | - | (NR)2115+(W)2147.6+2152.6 + (L)2177.5 | - | 5 |
| | | 15 | - | (NR)2117.5+(W)2147.6+2152.6 + (L)2179.3 | - | 1.4 |
| | | 15 | - | (NR)2117.5+(W)2147.6+2152.6 + (L)2177.5 | - | 5 |
| | | 20 | - | (NR)2120+(W)2147.6+2152.6 + (L)2179.3 | - | 1.4 |
| | | 20 | - | (NR)2120+(W)2147.6+2152.6 + (L)2177.5 | - | 5 |
| W+L+NR-MIMO-MC-3 | 2W+2L+2 NR | 5 | - | (NR)2112.5+2117.5+(W)2147.6+2152.6 + (L)2177.9+2179.3 | - | 1.4 |
| | | 5 | - | (NR)2112.5+2117.5+(W)2147.6+2152.6 + (L)2175.5+2178.5 | - | 3 |
| | | 5 | - | (NR)2112.5+2117.5+(W)2147.6+2152.6 + (L)2172.5+2177.5 | - | 5 |
| | | 10 | - | (NR)2115+2125+(W)2147.6+2152.6 + (L)2177.9+2179.3 | - | 1.4 |
| | | 10 | - | (NR)2115+2125+(W)2147.6+2152.6 + (L)2172.5+2177.5 | - | 5 |
| | | 15 | - | (NR)2117.5+2132.5+(W)2147.6+2152.6 + (L)2177.9+2179.3 | - | 1.4 |
| | | 15 | - | (NR)2117.5+2132.5+(W)2147.6+2152.6 + (L)2172.5+2177.5 | - | 5 |
| W+L+NR-MIMO-MC-4 | 1W+2L+2 NR | 20 | - | (NR)2120+2140 + (W) 2152.6 + (L)2177.9+2179.3 | - | 1.4 |
| W+L+NR-MIMO-MC-4 | 1W+2L+2 NR | 20 | - | (NR)2120+2140 + (W) 2152.6 + (L)2172.5+2177.5 | - | 5 |

SA+L+NR

| Configuration | Carrier | NR Carrier Bandwidth (MHz) | Carrier Frequency Configuration (MHz) | | | LTE Carrier Bandwidth (MHz) |
|-------------------|------------|----------------------------|---------------------------------------|---------------------------------|-----|-----------------------------|
| | | | Bottom | Middle | Top | |
| NB+L+NR-MIMO-MC-1 | 1NB+1L+1NR | 5 | - | (NR)2112.5+(L)2178.9+(SA)2179.8 | - | 1.4 |
| | | 5 | - | (NR)2112.5+(L)2178.1+(SA)2179.8 | - | 3 |
| | | 10 | - | (NR)2115+(L)2178.9+(SA)2179.8 | - | 1.4 |

TEST REPORT

| | | | | | | |
|-------------------|------------|----|---|--|---|-----|
| | | 10 | - | (NR)2115+(L)2122.5+(SA)2179.8 | - | 5 |
| | | 15 | - | (NR)2117.5+(L)2178.9+(SA)2179.8 | - | 1.4 |
| | | 15 | - | (NR)2117.5+(L)2127.5+(SA)2179.8 | - | 5 |
| | | 20 | - | (NR)2120+(L)2178.9+(SA)2179.8 | - | 1.4 |
| | | 20 | - | (NR)2120+(L)2132.5+(SA)2179.8 | - | 5 |
| NB+L+NR-MIMO-MC-2 | 1NB+2L+1NR | 5 | - | (NR)2112.5+(L)2177.5+2178.9+(SA)2179.8 | - | 1.4 |
| | | 5 | - | (NR)2112.5+(L)2175.1+2178.1+(SA)2179.8 | - | 3 |
| | | 10 | - | (NR)2115+(L)2177.5+2178.9+(SA)2179.8 | - | 1.4 |
| | | 10 | - | (NR)2115+(L)2122.5+2127.5+(SA)2179.8 | - | 5 |
| | | 15 | - | (NR)2117.5+(L)2177.5+2178.9+(SA)2179.8 | - | 1.4 |
| | | 15 | - | (NR)2117.5+(L)2127.5+2132.5+(SA)2179.8 | - | 5 |
| | | 20 | - | (NR)2120+(L)2177.5+2178.9+(SA)2179.8 | - | 1.4 |
| | | 20 | - | (NR)2120+(L)2132.5+2137.5+(SA)2179.8 | - | 5 |
| NB+L+NR-MIMO-MC-3 | 1NB+3L+2NR | 5 | - | (NR)2112.5+2117.5+(L)2176.1+2177.5+2178.9+(SA)2179.8 | - | 1.4 |
| | | 5 | - | (NR)2112.5+2117.5+(L)2172.1+2175.1+2178.1+(SA)2179.8 | - | 3 |
| | | 10 | - | (NR)2115+2125+(L)2176.1+2177.5+2178.9+(SA)2179.8 | - | 1.4 |
| | | 10 | - | (NR)2115+2125+(L)2132.5+2137.5+2142.5+(SA)2179.8 | - | 5 |
| | | 15 | - | (NR)2117.5+2132.5+(L)2176.1+2177.5+2178.9+(SA)2179.8 | - | 1.4 |
| | | 15 | - | (NR)2117.5+2132.5+(L)2142.5+2147.5+2152.5+(SA)2179.8 | - | 5 |
| | | 20 | - | (NR)2120+2140+(L)2176.1+2177.5+2178.9+(SA)2179.8 | - | 1.4 |
| | | 20 | - | (NR)2120+2140+(L)2152.5+2157.5+2162.5+(SA)2179.8 | - | 5 |

TEST REPORT

NR

| Configuration | No. of Carriers | NR Channel Bandwidth (MHz) | Carrier Frequency Configuration (MHz) | | |
|---------------|-----------------|----------------------------|---------------------------------------|--------|---------------|
| | | | Bottom | Middle | Top |
| NR-MIMO-1C-BE | 1 | 5 | 2112.5 | - | 2177.5 |
| | | 10 | 2115 | - | 2175 |
| | | 15 | 2117.5 | - | 2172.5 |
| | | 20 | 2120 | - | 2170 |
| NR-MIMO-2C-BE | 2 | 5 | 2112.5+2117.5 | - | 2172.5+2177.5 |
| | | 10 | 2115+2125 | - | 2165+2175 |
| | | 15 | 2117.5+2132.5 | - | 2157.5+2172.5 |
| | | 20 | 2120+2140 | - | 2150+2170 |

W+NR

| Configuration | No. of Carriers | NR Channel Bandwidth | Carrier Frequency Configuration (MHz) | | |
|-------------------|-----------------|----------------------|---------------------------------------|--------|-------------------------------|
| | | | Bottom | Middle | Top |
| W+NR-MIMO-MC-1-BE | 1W+1NR | 5 | (W)2112.4 + (NR)2117.5 | - | (NR)2147.5 + (W)2152.6 |
| | | 10 | (W)2112.4 + (NR)2120 | - | (NR)2145 + (W)2152.6 |
| | | 15 | (W)2112.4 + (NR)2122.5 | - | (NR)2142.5 + (W)2152.6 |
| | | 20 | (W)2112.4 + (NR)2125 | - | (NR)2140 + (W)2152.6 |
| W+NR-MIMO-MC-2-BE | 2W+1NR | 5 | (W)2112.4+2117.4+(NR)2122.5 | - | (NR)2142.5 + (W)2147.6+2152.6 |
| | | 10 | (W)2112.4+2117.4+(NR)2125 | - | (NR)2140 + (W)2147.6+2152.6 |
| | | 15 | (W)2112.4+2117.4+(NR)2127.5 | - | (NR)2137.5 + (W)2147.6+2152.6 |
| | | 20 | (W)2112.4+2117.4+(NR)2130 | - | (NR)2135 + (W)2147.6+2152.6 |

L+NR

| Configuration | Carrier | NR Carrier Bandwidth (MHz) | Carrier Frequency Configuration (MHz) | | | LTE Carrier Bandwidth (MHz) |
|-------------------|---------|----------------------------|---------------------------------------|--------|------------------------|-----------------------------|
| | | | Bottom | Middle | Top | |
| L+NR-MIMO-MC-1-BE | 1L+1NR | 5 | (L)2110.7 + (NR)2113.9 | N/A | (NR)2176.1 + (L)2179.3 | 1.4 |
| | | 5 | (L)2111.5 + (NR)2115.5 | N/A | (NR)2174.5 + (L)2178.5 | 3 |
| | | 5 | (L)2112.5 + (NR)2117.5 | N/A | (NR)2172.5 + (L)2177.5 | 5 |
| | | 10 | (L)2110.7 + (NR)2116.4 | N/A | (NR)2173.6 + (L)2179.3 | 1.4 |
| | | 10 | (L)2112.5 + (NR)2120 | N/A | (NR)2170 + (L)2177.5 | 5 |

TEST REPORT

| | | | | | | |
|-----------------------|-------|----|----------------------------------|-----|----------------------------------|-----|
| | | 15 | (L)2110.7 + (NR)2118.9 | N/A | (NR)2171.1 + (L)2179.3 | 1.4 |
| | | 15 | (L)2112.5 + (NR)2122.5 | N/A | (NR)2167.5 + (L)2177.5 | 5 |
| | | 20 | (L)2110.7 + (NR)2121.4 | N/A | (NR)2168.6 + (L)2179.3 | 1.4 |
| | | 20 | (L)2112.5 + (NR)2125 | N/A | (NR)2165 + (L)2177.5 | 5 |
| L+NR-MIMO- MC-2-BE | 2L+NR | 5 | (L)2110.7+2112.1 + (NR)2115.3 | N/A | (NR)2174.7 + (L)2177.9+2179.3 | 1.4 |
| | | 5 | (L)2111.5+2114.5 + (NR)2118.5 | N/A | (NR)2171.5 + (L)2175.5+2178.5 | 3 |
| | | 5 | (L)2112.5+2117.5 + (NR)2122.5 | N/A | (NR)2167.5 + (L)2172.5+2177.5 | 5 |
| | | 10 | (L)2110.7+2112.1 + (NR)2117.8 | N/A | (NR)2172.2 + (L)2177.9+2179.3 | 1.4 |
| | | 10 | (L)2112.5+2117.5 + (NR)2125 | N/A | (NR)2165 + (L)2172.5+2177.5 | 5 |
| | | 15 | (L)2110.7+2112.1 + (NR)2120.3 | N/A | (NR)2169.7 + (L)2177.9+2179.3 | 1.4 |
| | | 15 | (L)2112.5+2117.5 + (NR)2127.5 | N/A | (NR)2162.5 + (L)2172.5+2177.5 | 5 |
| | | 20 | (L)2110.7+2112.1 + (NR)2122.8 | N/A | (NR)2167.2 + (L)2177.9+2179.3 | 1.4 |
| | | 20 | (L)2112.5+2117.5 + (NR)2130 | N/A | (NR)2160 + (L)2172.5+2177.5 | 5 |

SA+NR

| Configuration | Carrier | NR Carrier Bandwidth (MHz) | Carrier Frequency Configuration (MHz) | | |
|----------------------------|---------|----------------------------|---------------------------------------|--------|----------------------------------|
| | | | Bottom | Middle | Top |
| NB+NR- MIMO-MC-1- BE | 1SA+1NR | 5 | (NB)2110.2+(NR)2112.9 | - | (NR)2177.1+(NB)2179.8 |
| | | 10 | (NB)2110.2+(NR)2115.4 | - | (NR)2174.6+(NB)2179.8 |
| | | 15 | (NB)2110.2+(NR)2117.9 | - | (NR)2172.1+(NB)2179.8 |
| | | 20 | (NB)2110.2+(NR)2120.4 | - | (NR)2169.6+(NB)2179.8 |
| NB+NR- MIMO-MC-2- BE | 1SA+2NR | 5 | (NB)2110.2+ (NR)2112.9+2117.9 | - | (NR)2172.1+2177.1+ (NB)2179.8 |
| | | 10 | (NB)2110.2+ (NR)2115.4+2125.4 | - | (NR)2164.6+2174.6+ (NB)2179.8 |
| | | 15 | (NB)2110.2+ (NR)2117.9+2132.9 | - | (NR)2157.1+2172.1+ (NB)2179.8 |
| | | 20 | (NB)2110.2+ (NR)2120.4+2140.4 | - | (NR)2149.6+2169.6+ (NB)2179.8 |

W+L+NR

| Configuration | Carrier | NR Carrier Bandwidth (MHz) | Carrier Frequency Configuration (MHz) | | | LTE Carrier Bandwidth (MHz) |
|---------------|---------|----------------------------|---------------------------------------|--------|-----|-----------------------------|
| | | | Bottom | Middle | Top | |

TEST REPORT

| | | | | | | |
|-----------------------------|---------------|----|---|---|---|-----|
| W+L+NR- MIMO-MC-1- BE | 1W+1L+ 1NR | 5 | (L)2110.7+(W)2113.8 + (NR)2118.9 | - | (NR)2146.1+(W)2151.2 + (L)2154.3 | 1.4 |
| | | 5 | (L)2111.5+(W)2115.4 + (NR)2120.5 | - | (NR)2144.5+(W)2149.6 + (L)2153.5 | 3 |
| | | 5 | (W)2112.4+(L)2117.5 + (NR)2122.5 | - | (NR)2142.5 + (L)2147.5+(W)2152.6 | 5 |
| | | 10 | (L)2110.7+(W)2113.8 + (NR)2121.4 | - | (NR)2143.6+(W)2151.2 + (L)2154.3 | 1.4 |
| | | 10 | (W)2112.4+(L)2117.5 + (NR)2125 | - | (NR)2140 + (L)2147.5+(W)2152.6 | 5 |
| | | 15 | (L)2110.7+(W)2113.8 + (NR)2123.9 | - | (NR)2141.1+(W)2151.2 + (L)2154.3 | 1.4 |
| | | 15 | (W)2112.4+(L)2117.5 + (NR)2127.5 | - | (NR)2137.5 + (L)2147.5+(W)2152.6 | 5 |
| | | 20 | (L)2110.7+(W)2113.8 + (NR)2126.4 | - | (NR)2138.6+(W)2151.2 + (L)2154.3 | 1.4 |
| | | 20 | (W)2112.4+(L)2117.5 + (NR)2130 | - | (NR)2135 + (L)2147.5+(W)2152.6 | 5 |
| W+L+NR- MIMO-MC-2- BE | 1W+2L+ 1NR | 5 | (L)2110.7+2112.1+(W)2115.2 + (NR)2120.3 | - | (NR)2144.7+(W)2149.8 + (L)2152.9+2154.3 | 1.4 |
| | | 5 | (L)2111.5+2114.5+(W)2118.4 + (NR)2123.5 | - | (NR)2141.5+(W)2146.6 + (L)2150.5+2153.5 | 3 |
| | | 5 | (W)2112.4+(L)2117.5+2122.5+(NR)2127.5 | - | (NR)2137.5 + (L)2142.5+2147.5 + (W)2152.6 | 5 |
| | | 10 | (L)2110.7+2112.1+(W)2115.2 + (NR)2122.8 | - | (NR)2142.2+(W)2149.8 + (L)2152.9+2154.3 | 1.4 |
| | | 10 | (W)2112.4+(L)2117.5+2122.5+(NR)2130 | - | (NR)2135 + (L)2142.5+2147.5 + (W)2152.6 | 5 |
| | | 15 | (L)2110.7+2112.1+(W)2115.2 + (NR)2125.3 | - | (NR)2139.7+(W)2149.8 + (L)2152.9+2154.3 | 1.4 |
| | | 15 | (W)2112.4+(L)2117.5+2122.5+(NR)2132.5 | - | (NR)2132.5 + (L)2142.5+2147.5 + (W)2152.6 | 5 |
| | | 20 | (L)2110.7+2112.1+(W)2115.2 + (NR)2127.8 | - | (NR)2137.2+(W)2149.8 + (L)2152.9+2154.3 | 1.4 |
| | | 20 | (W)2112.4+(L)2117.5+2122.5+(NR)2135 | - | (NR)2130 + (L)2142.5+2147.5 + (W)2152.6 | 5 |

SA+L+NR

| Configuration | Carrier | NR Carrier Bandwidth (MHz) | Carrier Frequency Configuration (MHz) | | | LTE Carrier Bandwidth (MHz) |
|----------------------|------------|----------------------------|--|--------|--|-----------------------------|
| | | | Bottom | Middle | Top | |
| NB+L+NR-MIMO-MC-1-BE | 1NB+1L+1NR | 5 | (NB)2110.2+(L)2111.1 + (NR)2114.3 | - | (NR)2175.7+(L)2178.9+(NB)2179.8 | 1.4 |
| | | 5 | (NB)2110.2+(L)2111.9 + (NR)2115.9 | - | (NR)2174.1+(L)2178.1+(NB)2179.8 | 3 |
| | | 5 | (NB)2110.2+(L)2112.9 + (NR)2117.9 | - | (NR)2172.1+(L)2177.1+(NB)2179.8 | 5 |
| | | 10 | (NB)2110.2+(L)2111.1 + (NR)2116.8 | - | (NR)2173.2+(L)2178.9+(NB)2179.8 | 1.4 |
| | | 10 | (NB)2110.2+(L)2112.9 + (NR)2120.4 | - | (NR)2169.6+(L)2177.1+(NB)2179.8 | 5 |
| | | 15 | (NB)2110.2+(L)2111.1 + (NR)2119.3 | - | (NR)2170.7+(L)2178.9+(NB)2179.8 | 1.4 |
| | | 15 | (NB)2110.2+(L)2112.9 + (NR)2122.9 | - | (NR)2167.1+(L)2177.1+(NB)2179.8 | 5 |
| | | 20 | (NB)2110.2+(L)2111.1 + (NR)2121.8 | - | (NR)2168.2+(L)2178.9+(NB)2179.8 | 1.4 |
| | | 20 | (NB)2110.2+(L)2112.9 + (NR)2125.4 | - | (NR)2164.6+(L)2177.1+(NB)2179.8 | 5 |
| NB+L+NR-MIMO-MC-2-BE | 1NB+2L+1NR | 5 | (NB)2110.2+(L)2111.1+2112.5 + (NR)2115.7 | - | (NR)2174.3+(L)2177.5+2178.9+(NB)2179.8 | 1.4 |
| | | 5 | (NB)2110.2+(L)2111.9+2114.9 + (NR)2118.9 | - | (NR)2171.1+(L)2175.1+2178.1+(NB)2179.8 | 3 |
| | | 5 | (NB)2110.2+(L)2112.9+2117.9 + (NR)2122.9 | - | (NR)2167.1+(L)2172.1+2177.1+(NB)2179.8 | 5 |
| | | 10 | (NB)2110.2+(L)2111.1+2112.5 + (NR)2118.2 | - | (NR)2171.8+(L)2177.5+2178.9+(NB)2179.8 | 1.4 |
| | | 10 | (NB)2110.2+(L)2112.9+2117.9 + (NR)2125.4 | - | (NR)2164.6+(L)2172.1+2177.1+(NB)2179.8 | 5 |
| | | 15 | (NB)2110.2+(L)2111.1+2112.5 + (NR)2120.7 | - | (NR)2169.3+(L)2177.5+2178.9+(NB)2179.8 | 1.4 |
| | | 15 | (NB)2110.2+(L)2112.9+2117.9 + (NR)2127.9 | - | (NR)2162.1+(L)2172.1+2177.1+(NB)2179.8 | 5 |
| | | 20 | (NB)2110.2+(L)2111.1+2112.5 + (NR)2123.2 | - | (NR)2166.8+(L)2177.5+2178.9+(NB)2179.8 | 1.4 |
| | | 20 | (NB)2110.2+(L)2112.9 + (NR)2125.4 | - | (NR)2159.6+(L)2177.1+(NB)2179.8 | 5 |

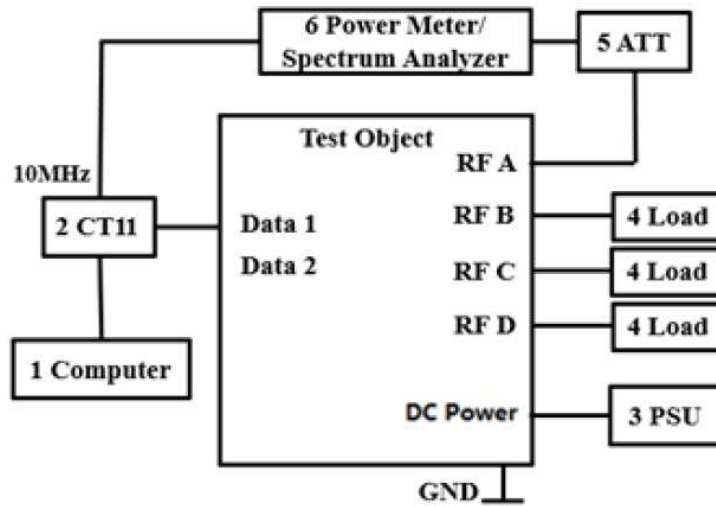
TEST REPORT

| | | | | | | |
|--|--|--|----------------------------|--|----------------------------|--|
| | | | 2.9+2117.9 + (NR)2130.4 | | 72.1+2177.1+(NB)2179.8 | |
|--|--|--|----------------------------|--|----------------------------|--|

TEST REPORT

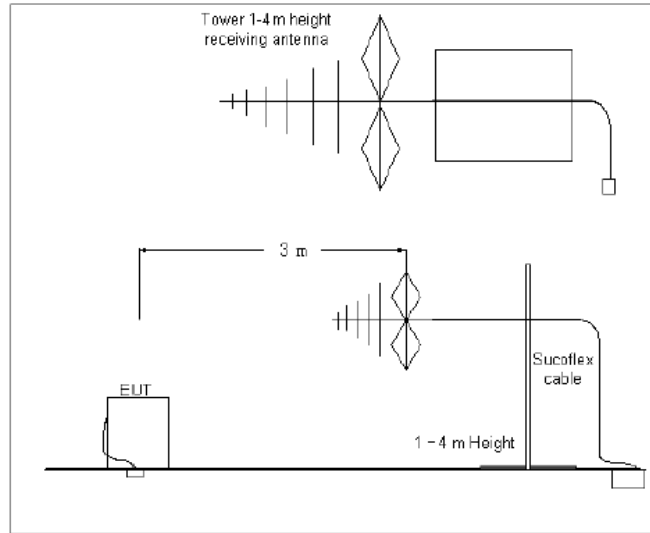
2.4 Test Setup

Conducted Measurement:



| No. | Auxiliary Equipment | Product Number / Model Type | Version |
|-----|---------------------|-----------------------------|---------|
| 1 | Computer | Dell Optiplex 3050 | - |
| 2 | CT11 | LPC 102 494/1 | R2A |
| 3 | Power supply unit | - | - |
| 4 | Load | TF150 | - |
| 5 | Attenuator | Aeroflex / Weinschel | - |

Radiated Measurement:



| No. | Auxiliary Equipment | Product Number / Model Type | Version |
|-----|---------------------|-----------------------------|---------|
| 1 | Computer | Dell Optiplex 3050 | - |
| 2 | CT11 | LPC 102 494/1 | R2A |
| 3 | Power supply unit | - | - |
| 4 | Load | TF150 | - |
| 5 | Attenuator | Aeroflex / Weinschel | - |

TEST REPORT**2.5 Test environment condition:**

| Test items | Temperature | Humidity |
|---|--------------------------|----------|
| Max Output Power and Peak to Average Power Ratio and EIRP | 23°C | 54% RH |
| Occupied Bandwidth | | |
| Unwanted Emissions at Band Edge | | |
| Conducted Unwanted Emission | | |
| Radiated Unwanted Emissions | 24°C | 56% RH |
| Frequency Stability | Please refer to clause 8 | |

2.6 Instrument list

| Radiated Emission | | | | | |
|-------------------------------------|--------------------------------------|-------------------|------------------------|--------------|------------|
| Used | Equipment | Manufacturer | Type | Internal no. | Due date |
| <input checked="" type="checkbox"/> | Test Receiver | R&S | ESIB 26 | EC 3045 | 2020-09-16 |
| <input checked="" type="checkbox"/> | Bilog Antenna | TESEQ | CBL 6112D | EC 4206 | 2020-09-24 |
| <input checked="" type="checkbox"/> | Pre-amplifier | R&S | AFS42-00101800-25-S-42 | EC5262 | 2020-06-11 |
| <input checked="" type="checkbox"/> | Horn antenna | R&S | HF 906 | EC 3049 | 2021-01-17 |
| <input type="checkbox"/> | Horn antenna | ETS | 3117 | EC 4792-1 | 2021-02-25 |
| <input checked="" type="checkbox"/> | Horn antenna | TOYO | HAP18-26W | EC 4792-3 | 2020-07-09 |
| <input type="checkbox"/> | Active loop antenna | Schwarzbeck | FMZB1519 | EC 5345 | 2021-03-14 |
| RF test | | | | | |
| Used | Equipment | Manufacturer | Type | Internal no. | Due date |
| <input type="checkbox"/> | PXA Signal Analyzer | Keysight | N9030A | EC 5338 | 2021-03-16 |
| <input type="checkbox"/> | Power sensor | Agilent | U2021XA | EC 5338-1 | 2021-03-16 |
| <input type="checkbox"/> | Vector Signal Generator | Agilent | N5182B | EC 5175 | 2021-03-16 |
| <input type="checkbox"/> | Universal Radio Communication Tester | R&S | CMW500 | EC5944 | 2020-12-09 |
| <input type="checkbox"/> | MXG Analog Signal Generator | Agilent | N5181A | EC 5338-2 | 2021-03-16 |
| <input type="checkbox"/> | Mobile Test System | Litepoint | lqxel | EC 5176 | 2021-01-16 |
| <input type="checkbox"/> | Test Receiver | R&S | ESCI 7 | EC 4501 | 2020-09-16 |
| <input checked="" type="checkbox"/> | Climate chamber | GWS | MT3065 | EC 6021 | 2020-07-04 |
| <input checked="" type="checkbox"/> | Spectrum Analyzer | Keysight | N9030B | EC 6078 | 2020-06-11 |
| Tet Site | | | | | |
| Used | Equipment | Manufacturer | Type | Internal no. | Due date |
| <input type="checkbox"/> | Shielded room | Zhongyu | - | EC 2838 | 2021-01-12 |
| <input type="checkbox"/> | Shielded room | Zhongyu | - | EC 2839 | 2021-01-12 |
| <input checked="" type="checkbox"/> | Semi-anechoic chamber | Albatross project | - | EC 3048 | 2020-06-31 |
| <input type="checkbox"/> | Fully-anechoic chamber | Albatross project | - | EC 3047 | 2020-06-31 |
| Additional instrument | | | | | |
| Used | Equipment | Manufacturer | Type | Internal no. | Due date |

TEST REPORT

| | | | | | |
|-------------------------------------|-------------------|--------|-----------------|---------|------------|
| <input type="checkbox"/> | Therom-Hygrograph | ZJ1-2A | S.M.I.F. | EC 3783 | 2021-03-03 |
| <input type="checkbox"/> | Therom-Hygrograph | ZJ1-2A | S.M.I.F. | EC 3481 | 2021-01-05 |
| <input checked="" type="checkbox"/> | Therom-Hygrograph | ZJ1-2A | S.M.I.F. | EC 3442 | 2021-01-05 |
| <input checked="" type="checkbox"/> | Therom-Hygrograph | ZJ1-2A | S.M.I.F. | EC 3324 | 2020-09-05 |
| <input type="checkbox"/> | Pressure meter | YM3 | Shanghai Mengde | EC 3320 | 2020-07-14 |

2.7 Measurement uncertainty

The measurement uncertainty represents an expanded uncertainty expressed at approximately the 95% confidence level using a coverage factor of k=2.

| Test item | Measurement uncertainty |
|--|-------------------------|
| Maximum output power | 0.73dB |
| Occupied Bandwidth | 0.88% |
| Unwanted Emissions at Band Edge | 3.03dB |
| Conducted Unwanted Emission | 3.03dB |
| Radiated Unwanted Emissions below 1GHz | 4.90dB |
| Radiated Unwanted Emissions above 1GHz | 5.02dB |
| Frequency stability | 0.77×10^{-7} |

3 Maximum Output Power and Peak to Average Power Ratio and EIRP

Test result: Pass

3.1 Limit

Output Power:

(EIRP) 1640 W(62.15dBm) or 3280W(65.16dBm) for emission bandwidth \leq 1MHz
1640 W/MHz(62.15dBm/MHz) or 3280W/MHz(65.16dBm/MHz) for emission bandwidth $>$ 1MHz

Peak to Average Ratio: \leq 13 dB

3.2 Measurement Procedure

The EUT was configured to transmit on maximum power and proper modulation. The transmitter power shall be measured in terms of a root-mean-square (RMS) average value. In case of the EUT was configured to MIMO mode, since the EUT transmits on all antennas simultaneously in the same frequency range, using the Measure-and-Sum approach, the output power at all antennas were tested, and the total output power were then summed mathematically in linear power units according to FCC KDB 662911 D01.

A peak to average ratio measurement is performed at the conducted ports of the EUT for single carrier for single RAT mode. The spectrum analyzers Complementary Cumulative Distribution Function (CCDF) was used and 0.1% probability value recorded.

TEST REPORT

3.3 Measurement result

NR mode:

Configuration NR-MIMO-1C

| Antenna Port | NR Modulation | NR Carrier Bandwidth (MHz) | Output power / Peak-to-Average Ratio (PAR) | | | | | | | | |
|---------------------|---------------|----------------------------|--|------------------|----------|--------------------|------------------|----------|--------------------|------------------|----------|
| | | | Channel position B | | | Channel position M | | | Channel position T | | |
| | | | Power (dBm) | Power (dBm /MHz) | PAR (dB) | Power (dBm) | Power (dBm /MHz) | PAR (dB) | Power (dBm) | Power (dBm /MHz) | PAR (dB) |
| A | QPSK | 5 | 36.14 | 30.128 | 7.68 | 36.45 | 30.350 | 7.69 | 35.69 | 29.752 | 7.71 |
| B | QPSK | 5 | 35.94 | 29.838 | 7.70 | 36.21 | 30.203 | 7.68 | 35.51 | 29.399 | 7.71 |
| C | QPSK | 5 | 36.01 | 29.962 | 7.68 | 36.24 | 30.158 | 7.69 | 35.60 | 29.643 | 7.71 |
| D | QPSK | 5 | 36.08 | 30.015 | 7.68 | 36.40 | 30.379 | 7.68 | 35.63 | 29.560 | 7.71 |
| Total | | | 42.06 | 36.008 | - | 42.35 | 36.294 | - | 41.63 | 35.611 | - |
| Total Power+10.5dBi | | | 52.56 | 46.508 | - | 52.85 | 46.794 | - | 52.13 | 46.111 | - |

| Antenna Port | NR Modulation | NR Carrier Bandwidth (MHz) | Output power / Peak-to-Average Ratio (PAR) | | | | | | | | |
|---------------------|---------------|----------------------------|--|------------------|----------|--------------------|------------------|----------|--------------------|------------------|----------|
| | | | Channel position B | | | Channel position M | | | Channel position T | | |
| | | | Power (dBm) | Power (dBm /MHz) | PAR (dB) | Power (dBm) | Power (dBm /MHz) | PAR (dB) | Power (dBm) | Power (dBm /MHz) | PAR (dB) |
| A | 16QAM | 5 | 36.16 | 30.299 | 7.70 | 36.44 | 30.639 | 7.68 | 35.71 | 29.890 | 7.69 |
| B | 16QAM | 5 | 35.89 | 29.997 | 7.71 | 36.20 | 30.500 | 7.68 | 35.52 | 29.826 | 7.69 |
| C | 16QAM | 5 | 36.09 | 30.269 | 7.70 | 36.37 | 30.733 | 7.69 | 35.59 | 29.790 | 7.68 |
| D | 16QAM | 5 | 36.16 | 30.263 | 7.70 | 36.39 | 30.584 | 7.68 | 35.63 | 29.864 | 7.69 |
| Total | | | 42.10 | 36.229 | - | 42.37 | 36.635 | - | 41.63 | 35.863 | - |
| Total Power+10.5dBi | | | 52.60 | 46.729 | - | 52.87 | 47.135 | - | 52.13 | 46.363 | - |

| Antenna Port | NR Modulation | NR Carrier Bandwidth (MHz) | Output power / Peak-to-Average Ratio (PAR) | | | | | | | | |
|---------------------|---------------|----------------------------|--|------------------|----------|--------------------|------------------|----------|--------------------|------------------|----------|
| | | | Channel position B | | | Channel position M | | | Channel position T | | |
| | | | Power (dBm) | Power (dBm /MHz) | PAR (dB) | Power (dBm) | Power (dBm /MHz) | PAR (dB) | Power (dBm) | Power (dBm /MHz) | PAR (dB) |
| A | 64QAM | 5 | 36.08 | 29.983 | 7.78 | 36.42 | 30.347 | 7.77 | 35.64 | 29.717 | 7.78 |
| B | 64QAM | 5 | 35.82 | 29.896 | 7.78 | 36.16 | 30.089 | 7.76 | 35.40 | 29.408 | 7.78 |
| C | 64QAM | 5 | 36.02 | 29.877 | 7.78 | 36.21 | 30.276 | 7.78 | 35.48 | 29.616 | 7.77 |
| D | 64QAM | 5 | 36.04 | 30.020 | 7.79 | 36.38 | 30.388 | 7.77 | 35.52 | 29.579 | 7.78 |
| Total | | | 42.01 | 35.965 | - | 42.31 | 36.297 | - | 41.53 | 35.602 | - |
| Total Power+10.5dBi | | | 52.51 | 46.465 | - | 52.81 | 46.797 | - | 52.03 | 46.102 | - |

| Antenna Port | NR Modulation | NR Carrier Bandwidth (MHz) | Output power / Peak-to-Average Ratio (PAR) | | | | | | | | |
|--------------|---------------|----------------------------|--|------------------|----------|--------------------|------------------|----------|--------------------|------------------|----------|
| | | | Channel position B | | | Channel position M | | | Channel position T | | |
| | | | Power (dBm) | Power (dBm /MHz) | PAR (dB) | Power (dBm) | Power (dBm /MHz) | PAR (dB) | Power (dBm) | Power (dBm /MHz) | PAR (dB) |

TEST REPORT

| | | | | | | | | | | | |
|---------------------|--------|---|-------|--------|------|-------|--------|------|-------|--------|------|
| A | 256QAM | 5 | 36.14 | 30.154 | 7.77 | 36.37 | 30.306 | 7.76 | 35.69 | 29.592 | 7.77 |
| B | 256QAM | 5 | 35.83 | 29.709 | 7.77 | 36.20 | 30.066 | 7.76 | 35.41 | 29.440 | 7.78 |
| C | 256QAM | 5 | 36.03 | 29.987 | 7.77 | 36.32 | 30.166 | 7.76 | 35.61 | 29.508 | 7.77 |
| D | 256QAM | 5 | 36.07 | 30.025 | 7.77 | 36.38 | 30.349 | 7.75 | 35.61 | 29.443 | 7.77 |
| Total | | | 42.04 | 35.992 | - | 42.34 | 36.244 | - | 41.60 | 35.517 | - |
| Total Power+10.5dBi | | | 52.54 | 46.492 | - | 52.84 | 46.744 | - | 52.10 | 46.017 | - |

| Antenna Port | NR Modulation | NR Carrier Bandwidth (MHz) | Output power / Peak-to-Average Ratio (PAR) | | | | | | | | |
|---------------------|---------------|----------------------------|--|------------------|----------|--------------------|------------------|----------|--------------------|------------------|----------|
| | | | Channel position B | | | Channel position M | | | Channel position T | | |
| | | | Power (dBm) | Power (dBm /MHz) | PAR (dB) | Power (dBm) | Power (dBm /MHz) | PAR (dB) | Power (dBm) | Power (dBm /MHz) | PAR (dB) |
| A | QPSK | 10 | 36.29 | 27.165 | 7.71 | 36.51 | 27.327 | 7.71 | 35.87 | 26.745 | 7.72 |
| B | QPSK | 10 | 36.05 | 26.868 | 7.71 | 36.24 | 27.277 | 7.71 | 35.63 | 26.602 | 7.72 |
| C | QPSK | 10 | 36.17 | 27.050 | 7.71 | 36.32 | 27.237 | 7.70 | 35.74 | 26.665 | 7.72 |
| D | QPSK | 10 | 36.22 | 27.143 | 7.70 | 36.45 | 27.277 | 7.71 | 35.80 | 26.703 | 7.73 |
| Total | | | 42.20 | 33.079 | - | 42.40 | 33.300 | - | 41.78 | 32.700 | - |
| Total Power+10.5dBi | | | 52.70 | 43.579 | - | 52.90 | 43.800 | - | 52.28 | 43.200 | - |

| Antenna Port | NR Modulation | NR Carrier Bandwidth (MHz) | Output power / Peak-to-Average Ratio (PAR) | | | | | | | | |
|---------------------|---------------|----------------------------|--|------------------|----------|--------------------|------------------|----------|--------------------|------------------|----------|
| | | | Channel position B | | | Channel position M | | | Channel position T | | |
| | | | Power (dBm) | Power (dBm /MHz) | PAR (dB) | Power (dBm) | Power (dBm /MHz) | PAR (dB) | Power (dBm) | Power (dBm /MHz) | PAR (dB) |
| A | 16QAM | 10 | 36.27 | 27.751 | 7.74 | 36.50 | 27.773 | 7.73 | 35.89 | 27.152 | 7.75 |
| B | 16QAM | 10 | 36.05 | 27.387 | 7.74 | 36.23 | 27.562 | 7.74 | 35.66 | 27.051 | 7.75 |
| C | 16QAM | 10 | 36.17 | 27.673 | 7.73 | 36.32 | 27.644 | 7.74 | 35.79 | 27.130 | 7.75 |
| D | 16QAM | 10 | 36.26 | 27.569 | 7.74 | 36.41 | 27.772 | 7.74 | 35.79 | 26.970 | 7.75 |
| Total | | | 42.21 | 33.618 | - | 42.39 | 33.709 | - | 41.80 | 33.097 | - |
| Total Power+10.5dBi | | | 52.71 | 44.118 | - | 52.89 | 44.209 | - | 52.30 | 43.597 | - |

| Antenna Port | NR Modulation | NR Carrier Bandwidth (MHz) | Output power / Peak-to-Average Ratio (PAR) | | | | | | | | |
|---------------------|---------------|----------------------------|--|------------------|----------|--------------------|------------------|----------|--------------------|------------------|----------|
| | | | Channel position B | | | Channel position M | | | Channel position T | | |
| | | | Power (dBm) | Power (dBm /MHz) | PAR (dB) | Power (dBm) | Power (dBm /MHz) | PAR (dB) | Power (dBm) | Power (dBm /MHz) | PAR (dB) |
| A | 64QAM | 10 | 36.20 | 27.319 | 7.76 | 36.43 | 27.210 | 7.76 | 35.84 | 26.826 | 7.77 |
| B | 64QAM | 10 | 35.97 | 26.848 | 7.75 | 36.18 | 27.011 | 7.75 | 35.55 | 26.520 | 7.77 |
| C | 64QAM | 10 | 36.11 | 26.984 | 7.76 | 36.22 | 27.179 | 7.75 | 35.72 | 26.732 | 7.77 |
| D | 64QAM | 10 | 36.14 | 27.056 | 7.75 | 36.33 | 27.151 | 7.76 | 35.66 | 26.542 | 7.76 |
| Total | | | 42.13 | 33.076 | - | 42.31 | 33.159 | - | 41.71 | 32.678 | - |
| Total Power+10.5dBi | | | 52.63 | 43.576 | - | 52.81 | 43.659 | - | 52.21 | 43.178 | - |

| Antenna Port | NR Modulation | NR Carrier Bandwidth (MHz) | Output power / Peak-to-Average Ratio (PAR) | | | | | | | | |
|--------------|---------------|----------------------------|--|-------------|----------|--------------------|-------------|----------|--------------------|-------------|----------|
| | | | Channel position B | | | Channel position M | | | Channel position T | | |
| | | | Power (dBm) | Power (dBm) | PAR (dB) | Power (dBm) | Power (dBm) | PAR (dB) | Power (dBm) | Power (dBm) | PAR (dB) |

TEST REPORT

| | | | | /MHz) | | | /MHz) | | | /MHz) | |
|---------------------|--------|----|-------|--------|------|-------|--------|------|-------|--------|------|
| A | 256QAM | 10 | 36.25 | 27.086 | 7.72 | 36.41 | 26.950 | 7.71 | 35.88 | 26.750 | 7.72 |
| B | 256QAM | 10 | 36.03 | 26.928 | 7.72 | 36.21 | 27.077 | 7.72 | 35.62 | 26.864 | 7.72 |
| C | 256QAM | 10 | 36.16 | 27.089 | 7.73 | 36.30 | 26.990 | 7.72 | 35.74 | 26.602 | 7.71 |
| D | 256QAM | 10 | 36.20 | 27.235 | 7.73 | 36.37 | 27.323 | 7.71 | 35.74 | 26.776 | 7.71 |
| Total | | | 42.18 | 33.106 | - | 42.34 | 33.108 | - | 41.77 | 32.770 | - |
| Total Power+10.5dBi | | | 52.68 | 43.606 | - | 52.84 | 43.608 | - | 52.27 | 43.270 | - |

| Antenna Port | NR Modulation | NR Carrier Bandwidth (MHz)) | Output power / Peak-to-Average Ratio (PAR) | | | | | | | | |
|---------------------|---------------|-----------------------------|--|------------------|----------|--------------------|------------------|----------|--------------------|------------------|----------|
| | | | Channel position B | | | Channel position M | | | Channel position T | | |
| | | | Power (dBm) | Power (dBm /MHz) | PAR (dB) | Power (dBm) | Power (dBm /MHz) | PAR (dB) | Power (dBm) | Power (dBm /MHz) | PAR (dB) |
| A | QPSK | 15 | 36.33 | 25.373 | 7.76 | 36.42 | 25.442 | 7.77 | 35.96 | 25.116 | 7.77 |
| B | QPSK | 15 | 36.11 | 25.340 | 7.76 | 36.19 | 25.176 | 7.76 | 35.72 | 24.836 | 7.78 |
| C | QPSK | 15 | 36.21 | 25.244 | 7.76 | 36.28 | 25.291 | 7.77 | 35.83 | 24.903 | 7.77 |
| D | QPSK | 15 | 36.27 | 25.322 | 7.76 | 36.35 | 25.351 | 7.76 | 35.82 | 24.927 | 7.77 |
| Total | | | 42.25 | 31.341 | - | 42.33 | 31.337 | - | 41.85 | 30.967 | - |
| Total Power+10.5dBi | | | 52.75 | 41.841 | - | 52.83 | 41.837 | - | 52.35 | 41.467 | - |

| Antenna Port | NR Modulation | NR Carrier Bandwidth (MHz) | Output power / Peak-to-Average Ratio (PAR) | | | | | | | | |
|---------------------|---------------|----------------------------|--|------------------|----------|--------------------|------------------|----------|--------------------|------------------|----------|
| | | | Channel position B | | | Channel position M | | | Channel position T | | |
| | | | Power (dBm) | Power (dBm /MHz) | PAR (dB) | Power (dBm) | Power (dBm /MHz) | PAR (dB) | Power (dBm) | Power (dBm /MHz) | PAR (dB) |
| A | 16QAM | 15 | 36.33 | 26.754 | 7.74 | 36.44 | 26.849 | 7.75 | 35.98 | 26.612 | 7.76 |
| B | 16QAM | 15 | 36.15 | 26.493 | 7.74 | 36.24 | 26.563 | 7.75 | 35.73 | 26.204 | 7.76 |
| C | 16QAM | 15 | 36.24 | 26.691 | 7.74 | 36.31 | 26.749 | 7.75 | 35.84 | 26.487 | 7.77 |
| D | 16QAM | 15 | 36.29 | 26.726 | 7.74 | 36.40 | 26.921 | 7.76 | 35.83 | 26.285 | 7.78 |
| Total | | | 42.27 | 32.688 | - | 42.37 | 32.793 | - | 41.87 | 32.421 | - |
| Total Power+10.5dBi | | | 52.77 | 43.188 | - | 52.87 | 43.293 | - | 52.37 | 42.921 | - |

| Antenna Port | NR Modulation | NR Carrier Bandwidth (MHz) | Output power / Peak-to-Average Ratio (PAR) | | | | | | | | |
|---------------------|---------------|----------------------------|--|------------------|----------|--------------------|------------------|----------|--------------------|------------------|----------|
| | | | Channel position B | | | Channel position M | | | Channel position T | | |
| | | | Power (dBm) | Power (dBm /MHz) | PAR (dB) | Power (dBm) | Power (dBm /MHz) | PAR (dB) | Power (dBm) | Power (dBm /MHz) | PAR (dB) |
| A | 64QAM | 15 | 36.27 | 25.336 | 7.75 | 36.40 | 25.418 | 7.77 | 35.92 | 25.280 | 7.77 |
| B | 64QAM | 15 | 36.04 | 25.098 | 7.74 | 36.15 | 25.237 | 7.77 | 35.66 | 24.864 | 7.77 |
| C | 64QAM | 15 | 36.16 | 25.293 | 7.75 | 36.20 | 25.223 | 7.77 | 35.78 | 25.104 | 7.78 |
| D | 64QAM | 15 | 36.16 | 25.377 | 7.74 | 36.29 | 25.420 | 7.78 | 35.76 | 24.904 | 7.78 |
| Total | | | 42.18 | 31.298 | - | 42.28 | 31.346 | - | 41.80 | 31.062 | - |
| Total Power+10.5dBi | | | 52.68 | 41.798 | - | 52.78 | 41.846 | - | 52.30 | 41.562 | - |

| Antenna Port | NR Modulation | NR Carrier Bandwidth (MHz) | Output power / Peak-to-Average Ratio (PAR) | | | | | | | | |
|--------------|---------------|----------------------------|--|-------|-----|--------------------|-------|-----|--------------------|-------|-----|
| | | | Channel position B | | | Channel position M | | | Channel position T | | |
| | | | Power | Power | PAR | Power | Power | PAR | Power | Power | PAR |

TEST REPORT

| | | | (dBm) | (dBm /MHz) | (dB) | (dBm) | (dBm /MHz) | (dB) | (dBm) | (dBm /MHz) | (dB) |
|---------------------|--------|----|-------|------------|------|-------|------------|------|-------|------------|------|
| A | 256QAM | 15 | 36.29 | 25.424 | 7.76 | 36.40 | 25.518 | 7.75 | 35.98 | 25.102 | 7.74 |
| B | 256QAM | 15 | 36.07 | 25.303 | 7.76 | 36.21 | 25.236 | 7.75 | 35.75 | 24.943 | 7.75 |
| C | 256QAM | 15 | 36.22 | 25.385 | 7.77 | 36.25 | 25.289 | 7.77 | 35.81 | 25.007 | 7.74 |
| D | 256QAM | 15 | 36.22 | 25.359 | 7.76 | 36.33 | 25.387 | 7.77 | 35.81 | 24.884 | 7.75 |
| Total | | | 42.22 | 31.389 | - | 42.32 | 31.379 | - | 41.86 | 31.005 | - |
| Total Power+10.5dBi | | | 52.72 | 41.889 | - | 52.82 | 41.879 | - | 52.36 | 41.505 | - |

| Antenna Port | NR Modulation | NR Carrier Bandwidth (MHz) | Output power / Peak-to-Average Ratio (PAR) | | | | | | | | |
|---------------------|---------------|----------------------------|--|------------------|----------|--------------------|------------------|----------|--------------------|------------------|----------|
| | | | Channel position B | | | Channel position M | | | Channel position T | | |
| | | | Power (dBm) | Power (dBm /MHz) | PAR (dB) | Power (dBm) | Power (dBm /MHz) | PAR (dB) | Power (dBm) | Power (dBm /MHz) | PAR (dB) |
| A | QPSK | 20 | 36.37 | 24.076 | 7.74 | 36.48 | 24.237 | 7.73 | 36.06 | 24.042 | 7.76 |
| B | QPSK | 20 | 36.17 | 24.043 | 7.73 | 36.27 | 23.913 | 7.74 | 35.84 | 23.607 | 7.77 |
| C | QPSK | 20 | 36.29 | 24.149 | 7.73 | 36.31 | 24.099 | 7.75 | 35.93 | 23.926 | 7.77 |
| D | QPSK | 20 | 36.28 | 24.197 | 7.74 | 36.37 | 24.151 | 7.75 | 35.94 | 23.830 | 7.77 |
| Total | | | 42.30 | 30.137 | - | 42.38 | 30.122 | - | 41.96 | 29.875 | - |
| Total Power+10.5dBi | | | 52.80 | 40.637 | - | 52.88 | 40.622 | - | 52.46 | 40.375 | - |

| Antenna Port | NR Modulation | NR Carrier Bandwidth (MHz) | Output power / Peak-to-Average Ratio (PAR) | | | | | | | | |
|---------------------|---------------|----------------------------|--|------------------|----------|--------------------|------------------|----------|--------------------|------------------|----------|
| | | | Channel position B | | | Channel position M | | | Channel position T | | |
| | | | Power (dBm) | Power (dBm /MHz) | PAR (dB) | Power (dBm) | Power (dBm /MHz) | PAR (dB) | Power (dBm) | Power (dBm /MHz) | PAR (dB) |
| A | 16QAM | 20 | 36.33 | 25.720 | 7.69 | 36.46 | 25.719 | 7.73 | 36.06 | 25.547 | 7.76 |
| B | 16QAM | 20 | 36.20 | 25.641 | 7.70 | 36.25 | 25.488 | 7.74 | 35.84 | 25.227 | 7.75 |
| C | 16QAM | 20 | 36.28 | 25.648 | 7.70 | 36.29 | 25.680 | 7.74 | 35.94 | 25.188 | 7.75 |
| D | 16QAM | 20 | 36.29 | 25.630 | 7.70 | 36.37 | 25.681 | 7.75 | 35.95 | 25.426 | 7.77 |
| Total | | | 42.30 | 31.680 | - | 42.36 | 31.664 | - | 41.97 | 31.370 | - |
| Total Power+10.5dBi | | | 52.80 | 42.180 | - | 52.86 | 42.164 | - | 52.47 | 41.870 | - |

| Antenna Port | NR Modulation | NR Carrier Bandwidth (MHz) | Output power / Peak-to-Average Ratio (PAR) | | | | | | | | |
|---------------------|---------------|----------------------------|--|------------------|----------|--------------------|------------------|----------|--------------------|------------------|----------|
| | | | Channel position B | | | Channel position M | | | Channel position T | | |
| | | | Power (dBm) | Power (dBm /MHz) | PAR (dB) | Power (dBm) | Power (dBm /MHz) | PAR (dB) | Power (dBm) | Power (dBm /MHz) | PAR (dB) |
| A | 64QAM | 20 | 36.32 | 24.166 | 7.74 | 36.40 | 24.260 | 7.74 | 36.02 | 24.006 | 7.75 |
| B | 64QAM | 20 | 36.12 | 24.106 | 7.74 | 36.17 | 23.924 | 7.75 | 35.81 | 23.708 | 7.74 |
| C | 64QAM | 20 | 36.24 | 24.227 | 7.74 | 36.26 | 24.150 | 7.75 | 35.88 | 23.781 | 7.74 |
| D | 64QAM | 20 | 36.26 | 24.106 | 7.74 | 36.31 | 24.204 | 7.77 | 35.89 | 23.725 | 7.75 |
| Total | | | 42.26 | 30.172 | - | 42.31 | 30.157 | - | 41.92 | 29.827 | - |
| Total Power+10.5dBi | | | 52.76 | 40.672 | - | 52.81 | 40.657 | - | 52.42 | 40.327 | - |

| Antenna Port | NR Modulation | NR Carrier Bandwidth | Output power / Peak-to-Average Ratio (PAR) | | | | | | | | |
|--------------|---------------|----------------------|--|--|--|--------------------|--|--|--------------------|--|--|
| | | | Channel position B | | | Channel position M | | | Channel position T | | |

TEST REPORT

| | | (MHz) | Power (dBm) | Power (dBm /MHz) | PAR (dB) | Power (dBm) | Power (dBm /MHz) | PAR (dB) | Power (dBm) | Power (dBm /MHz) | PAR (dB) |
|---------------------|--------|-------|-------------|------------------|----------|-------------|------------------|----------|-------------|------------------|----------|
| A | 256QAM | 20 | 36.36 | 24.205 | 7.74 | 36.40 | 24.302 | 7.74 | 36.04 | 24.113 | 7.75 |
| B | 256QAM | 20 | 36.15 | 24.052 | 7.74 | 36.21 | 24.042 | 7.74 | 35.82 | 23.729 | 7.76 |
| C | 256QAM | 20 | 36.27 | 24.195 | 7.74 | 36.28 | 24.092 | 7.75 | 35.92 | 23.772 | 7.75 |
| D | 256QAM | 20 | 36.29 | 24.181 | 7.74 | 36.30 | 24.082 | 7.76 | 35.91 | 24.013 | 7.77 |
| Total | | | 42.29 | 30.179 | - | 42.32 | 30.151 | - | 41.94 | 29.930 | - |
| Total Power+10.5dBi | | | 52.79 | 40.679 | - | 52.82 | 40.651 | - | 52.44 | 40.430 | - |

Configuration NR-MIMO-2C

| Antenna Port | NR Modulation | NR Carrier Bandwidth (MHz) | Output power / Peak-to-Average Ratio (PAR) | | | | | | | | |
|---------------------|---------------|----------------------------|--|------------------|----------|--------------------|------------------|----------|--------------------|------------------|----------|
| | | | Channel position B | | | Channel position M | | | Channel position T | | |
| | | | Power (dBm) | Power (dBm /MHz) | PAR (dB) | Power (dBm) | Power (dBm /MHz) | PAR (dB) | Power (dBm) | Power (dBm /MHz) | PAR (dB) |
| A | QPSK | 5 | - | - | - | 35.76 | 26.839 | - | - | - | - |
| B | QPSK | 5 | - | - | - | 35.61 | 26.527 | - | - | - | - |
| C | QPSK | 5 | - | - | - | 35.71 | 26.703 | - | - | - | - |
| D | QPSK | 5 | - | - | - | 35.67 | 26.884 | - | - | - | - |
| Total | | | - | - | - | 41.71 | 32.761 | - | - | - | - |
| Total Power+10.5dBi | | | - | - | - | 52.21 | 43.261 | - | - | - | - |

| Antenna Port | NR Modulation | NR Carrier Bandwidth (MHz) | Output power / Peak-to-Average Ratio (PAR) | | | | | | | | |
|---------------------|---------------|----------------------------|--|------------------|----------|--------------------|------------------|----------|--------------------|------------------|----------|
| | | | Channel position B | | | Channel position M | | | Channel position T | | |
| | | | Power (dBm) | Power (dBm /MHz) | PAR (dB) | Power (dBm) | Power (dBm /MHz) | PAR (dB) | Power (dBm) | Power (dBm /MHz) | PAR (dB) |
| A | QPSK | 10 | - | - | - | 35.85 | 23.726 | - | - | - | - |
| B | QPSK | 10 | - | - | - | 35.79 | 23.691 | - | - | - | - |
| C | QPSK | 10 | - | - | - | 35.83 | 23.729 | - | - | - | - |
| D | QPSK | 10 | - | - | - | 36.48 | 23.676 | - | - | - | - |
| Total | | | - | - | - | 42.02 | 29.726 | - | - | - | - |
| Total Power+10.5dBi | | | - | - | - | 52.52 | 40.226 | - | - | - | - |

| Antenna Port | NR Modulation | NR Carrier Bandwidth (MHz) | Output power / Peak-to-Average Ratio (PAR) | | | | | | | | |
|---------------------|---------------|----------------------------|--|------------------|----------|--------------------|------------------|----------|--------------------|------------------|----------|
| | | | Channel position B | | | Channel position M | | | Channel position T | | |
| | | | Power (dBm) | Power (dBm /MHz) | PAR (dB) | Power (dBm) | Power (dBm /MHz) | PAR (dB) | Power (dBm) | Power (dBm /MHz) | PAR (dB) |
| A | QPSK | 15 | - | - | - | 35.94 | 22.100 | - | - | - | - |
| B | QPSK | 15 | - | - | - | 35.88 | 22.032 | - | - | - | - |
| C | QPSK | 15 | - | - | - | 35.91 | 22.079 | - | - | - | - |
| D | QPSK | 15 | - | - | - | 35.54 | 21.721 | - | - | - | - |
| Total | | | - | - | - | 41.84 | 28.006 | - | - | - | - |
| Total Power+10.5dBi | | | - | - | - | 52.34 | 38.506 | - | - | - | - |

TEST REPORT

| Antenna Port | NR Modulation | NR Carrier Bandwidth (MHz) | Output power / Peak-to-Average Ratio (PAR) | | | | | | | | |
|---------------------|---------------|----------------------------|--|------------------|----------|--------------------|------------------|----------|--------------------|------------------|----------|
| | | | Channel position B | | | Channel position M | | | Channel position T | | |
| | | | Power (dBm) | Power (dBm /MHz) | PAR (dB) | Power (dBm) | Power (dBm /MHz) | PAR (dB) | Power (dBm) | Power (dBm /MHz) | PAR (dB) |
| A | QPSK | 20 | - | - | - | 36.02 | 20.959 | - | - | - | - |
| B | QPSK | 20 | - | - | - | 35.93 | 21.010 | - | - | - | - |
| C | QPSK | 20 | - | - | - | 36.02 | 20.896 | - | - | - | - |
| D | QPSK | 20 | - | - | - | 35.99 | 21.008 | - | - | - | - |
| Total | | | - | - | - | 42.01 | 26.989 | - | - | - | - |
| Total Power+10.5dBi | | | - | - | - | 52.51 | 37.489 | - | - | - | - |

Configuration NR-MIMO-3C

| Antenna Port | NR Modulation | NR Carrier Bandwidth (MHz) | Output power / Peak-to-Average Ratio (PAR) | | | | | | | | |
|---------------------|---------------|----------------------------|--|------------------|----------|--------------------|------------------|----------|--------------------|------------------|----------|
| | | | Channel position B | | | Channel position M | | | Channel position T | | |
| | | | Power (dBm) | Power (dBm /MHz) | PAR (dB) | Power (dBm) | Power (dBm /MHz) | PAR (dB) | Power (dBm) | Power (dBm /MHz) | PAR (dB) |
| A | QPSK | 20 | - | - | - | 36.06 | 19.315 | - | - | - | - |
| B | QPSK | 20 | - | - | - | 35.97 | 19.091 | - | - | - | - |
| C | QPSK | 20 | - | - | - | 36.00 | 19.184 | - | - | - | - |
| D | QPSK | 20 | - | - | - | 35.88 | 19.218 | - | - | - | - |
| Total | | | - | - | - | 42.00 | 25.223 | - | - | - | - |
| Total Power+10.5dBi | | | - | - | - | 52.50 | 35.723 | - | - | - | - |

Configuration NR-MIMO-4C

| Antenna Port | NR Modulation | NR Carrier Bandwidth (MHz) | Output power / Peak-to-Average Ratio (PAR) | | | | | | | | |
|---------------------|---------------|----------------------------|--|------------------|----------|--------------------|------------------|----------|--------------------|------------------|----------|
| | | | Channel position B | | | Channel position M | | | Channel position T | | |
| | | | Power (dBm) | Power (dBm /MHz) | PAR (dB) | Power (dBm) | Power (dBm /MHz) | PAR (dB) | Power (dBm) | Power (dBm /MHz) | PAR (dB) |
| A | QPSK | 15 | - | - | - | 36.17 | 19.215 | - | - | - | - |
| B | QPSK | 15 | - | - | - | 36.07 | 18.824 | - | - | - | - |
| C | QPSK | 15 | - | - | - | 36.10 | 19.224 | - | - | - | - |
| D | QPSK | 15 | - | - | - | 36.13 | 19.243 | - | - | - | - |
| Total | | | - | - | - | 42.14 | 25.151 | - | - | - | - |
| Total Power+10.5dBi | | | - | - | - | 52.64 | 35.651 | - | - | - | - |

Configuration NR-MIMO-6C

| Antenna Port | NR Modulation | NR Carrier Bandwidth (MHz) | Output power / Peak-to-Average Ratio (PAR) | | | | | | | | |
|--------------|---------------|----------------------------|--|------------------|----------|--------------------|------------------|----------|--------------------|------------------|----------|
| | | | Channel position B | | | Channel position M | | | Channel position T | | |
| | | | Power (dBm) | Power (dBm /MHz) | PAR (dB) | Power (dBm) | Power (dBm /MHz) | PAR (dB) | Power (dBm) | Power (dBm /MHz) | PAR (dB) |
| A | QPSK | 5 | - | - | - | 35.86 | 22.254 | - | - | - | - |
| B | QPSK | 5 | - | - | - | 35.79 | 22.095 | - | - | - | - |
| C | QPSK | 5 | - | - | - | 35.84 | 22.168 | - | - | - | - |
| D | QPSK | 5 | - | - | - | 35.84 | 22.117 | - | - | - | - |

TEST REPORT

| | | | | | | | | | |
|---------------------|---|---|---|-------|--------|---|---|---|---|
| Total | - | - | - | 41.85 | 28.180 | - | - | - | - |
| Total Power+10.5dBi | - | - | - | 52.35 | 38.680 | - | - | - | - |

| Antenna Port | NR Modulation | NR Carrier Bandwidth (MHz) | Output power / Peak-to-Average Ratio (PAR) | | | | | | | | |
|---------------------|---------------|----------------------------|--|------------------|----------|--------------------|------------------|----------|--------------------|------------------|----------|
| | | | Channel position B | | | Channel position M | | | Channel position T | | |
| | | | Power (dBm) | Power (dBm /MHz) | PAR (dB) | Power (dBm) | Power (dBm /MHz) | PAR (dB) | Power (dBm) | Power (dBm /MHz) | PAR (dB) |
| A | QPSK | 10 | - | - | - | 36.08 | 19.910 | - | - | - | - |
| B | QPSK | 10 | - | - | - | 35.99 | 19.131 | - | - | - | - |
| C | QPSK | 10 | - | - | - | 36.03 | 19.261 | - | - | - | - |
| D | QPSK | 10 | - | - | - | 36.07 | 19.254 | - | - | - | - |
| Total | | | - | - | - | 42.06 | 25.421 | - | - | - | - |
| Total Power+10.5dBi | | | - | - | - | 52.56 | 35.921 | - | - | - | - |

WCDMA+NR mode:

W+NR-MIMO-MC-1

| Antenna Port | NR Modulation | NR Carrier Bandwidth (MHz) | Output power / Peak-to-Average Ratio (PAR) | | | | | | | | |
|---------------------|---------------|----------------------------|--|------------------|----------|--------------------|------------------|----------|--------------------|------------------|----------|
| | | | Channel position B | | | Channel position M | | | Channel position T | | |
| | | | Power (dBm) | Power (dBm /MHz) | PAR (dB) | Power (dBm) | Power (dBm /MHz) | PAR (dB) | Power (dBm) | Power (dBm /MHz) | PAR (dB) |
| A | QPSK | 5 | - | - | - | 36.48 | 28.763 | - | - | - | - |
| B | QPSK | 5 | - | - | - | 36.30 | 28.500 | - | - | - | - |
| C | QPSK | 5 | - | - | - | 36.29 | 28.687 | - | - | - | - |
| D | QPSK | 5 | - | - | - | 35.96 | 27.886 | - | - | - | - |
| Total | | | - | - | - | 42.28 | 34.493 | - | - | - | - |
| Total Power+10.5dBi | | | - | - | - | 52.78 | 44.993 | - | - | - | - |

| Antenna Port | NR Modulation | NR Carrier Bandwidth (MHz) | Output power / Peak-to-Average Ratio (PAR) | | | | | | | | |
|---------------------|---------------|----------------------------|--|------------------|----------|--------------------|------------------|----------|--------------------|------------------|----------|
| | | | Channel position B | | | Channel position M | | | Channel position T | | |
| | | | Power (dBm) | Power (dBm /MHz) | PAR (dB) | Power (dBm) | Power (dBm /MHz) | PAR (dB) | Power (dBm) | Power (dBm /MHz) | PAR (dB) |
| A | QPSK | 10 | - | - | - | 36.59 | 28.732 | - | - | - | - |
| B | QPSK | 10 | - | - | - | 36.35 | 28.671 | - | - | - | - |
| C | QPSK | 10 | - | - | - | 36.34 | 28.517 | - | - | - | - |
| D | QPSK | 10 | - | - | - | 36.04 | 27.854 | - | - | - | - |
| Total | | | - | - | - | 42.35 | 34.478 | - | - | - | - |
| Total Power+10.5dBi | | | - | - | - | 52.85 | 44.978 | - | - | - | - |

| Antenna Port | NR Modulation | NR Carrier Bandwidth (MHz) | Output power / Peak-to-Average Ratio (PAR) | | | | | | | | |
|--------------|---------------|----------------------------|--|------------------|----------|--------------------|------------------|----------|--------------------|------------------|----------|
| | | | Channel position B | | | Channel position M | | | Channel position T | | |
| | | | Power (dBm) | Power (dBm /MHz) | PAR (dB) | Power (dBm) | Power (dBm /MHz) | PAR (dB) | Power (dBm) | Power (dBm /MHz) | PAR (dB) |

TEST REPORT

| | | | | | | | | | | | |
|---------------------|------|----|---|---|---|-------|--------|---|---|---|---|
| A | QPSK | 15 | - | - | - | 36.61 | 28.628 | - | - | - | - |
| B | QPSK | 15 | - | - | - | 36.36 | 28.417 | - | - | - | - |
| C | QPSK | 15 | - | - | - | 36.35 | 28.362 | - | - | - | - |
| D | QPSK | 15 | - | - | - | 36.06 | 27.691 | - | - | - | - |
| Total | | | - | - | - | 42.37 | 34.309 | - | - | - | - |
| Total Power+10.5dBi | | | - | - | - | 52.87 | 44.809 | - | - | - | - |

| Antenna Port | NR Modulation | NR Carrier Bandwidth (MHz) | Output power / Peak-to-Average Ratio (PAR) | | | | | | | | |
|---------------------|---------------|----------------------------|--|------------------|----------|--------------------|------------------|----------|--------------------|------------------|----------|
| | | | Channel position B | | | Channel position M | | | Channel position T | | |
| | | | Power (dBm) | Power (dBm /MHz) | PAR (dB) | Power (dBm) | Power (dBm /MHz) | PAR (dB) | Power (dBm) | Power (dBm /MHz) | PAR (dB) |
| A | QPSK | 20 | - | - | - | 36.67 | 28.722 | - | - | - | - |
| B | QPSK | 20 | - | - | - | 36.41 | 28.412 | - | - | - | - |
| C | QPSK | 20 | - | - | - | 36.41 | 28.527 | - | - | - | - |
| D | QPSK | 20 | - | - | - | 36.14 | 27.718 | - | - | - | - |
| Total | | | - | - | - | 42.43 | 34.381 | - | - | - | - |
| Total Power+10.5dBi | | | - | - | - | 52.93 | 44.881 | - | - | - | - |

W+NR-MIMO-MC-2

| Antenna Port | NR Modulation | NR Carrier Bandwidth (MHz) | Output power / Peak-to-Average Ratio (PAR) | | | | | | | | |
|---------------------|---------------|----------------------------|--|------------------|----------|--------------------|------------------|----------|--------------------|------------------|----------|
| | | | Channel position B | | | Channel position M | | | Channel position T | | |
| | | | Power (dBm) | Power (dBm /MHz) | PAR (dB) | Power (dBm) | Power (dBm /MHz) | PAR (dB) | Power (dBm) | Power (dBm /MHz) | PAR (dB) |
| A | QPSK | 5 | - | - | - | 36.61 | 27.020 | - | - | - | - |
| B | QPSK | 5 | - | - | - | 36.36 | 26.815 | - | - | - | - |
| C | QPSK | 5 | - | - | - | 36.34 | 26.615 | - | - | - | - |
| D | QPSK | 5 | - | - | - | 36.05 | 26.217 | - | - | - | - |
| Total | | | - | - | - | 42.37 | 32.697 | - | - | - | - |
| Total Power+10.5dBi | | | - | - | - | 52.87 | 43.197 | - | - | - | - |

| Antenna Port | NR Modulation | NR Carrier Bandwidth (MHz) | Output power / Peak-to-Average Ratio (PAR) | | | | | | | | |
|---------------------|---------------|----------------------------|--|------------------|----------|--------------------|------------------|----------|--------------------|------------------|----------|
| | | | Channel position B | | | Channel position M | | | Channel position T | | |
| | | | Power (dBm) | Power (dBm /MHz) | PAR (dB) | Power (dBm) | Power (dBm /MHz) | PAR (dB) | Power (dBm) | Power (dBm /MHz) | PAR (dB) |
| A | QPSK | 10 | - | - | - | 36.69 | 27.058 | - | - | - | - |
| B | QPSK | 10 | - | - | - | 36.45 | 26.701 | - | - | - | - |
| C | QPSK | 10 | - | - | - | 36.38 | 26.762 | - | - | - | - |
| D | QPSK | 10 | - | - | - | 36.11 | 26.169 | - | - | - | - |
| Total | | | - | - | - | 42.43 | 32.705 | - | - | - | - |
| Total Power+10.5dBi | | | - | - | - | 52.93 | 43.205 | - | - | - | - |

| Antenna Port | NR Modulation | NR Carrier Bandwidth (MHz) | Output power / Peak-to-Average Ratio (PAR) | | | | | | | | |
|--------------|---------------|----------------------------|--|-------|-----|--------------------|-------|-----|--------------------|-------|-----|
| | | | Channel position B | | | Channel position M | | | Channel position T | | |
| | | | Power | Power | PAR | Power | Power | PAR | Power | Power | PAR |

TEST REPORT

| | | | (dBm) | (dBm /MHz) | (dB) | (dBm) | (dBm /MHz) | (dB) | (dBm) | (dBm /MHz) | (dB) |
|---------------------|------|----|-------|------------|------|-------|------------|------|-------|------------|------|
| A | QPSK | 15 | - | - | - | 36.69 | 26.911 | - | - | - | - |
| B | QPSK | 15 | - | - | - | 36.43 | 26.700 | - | - | - | - |
| C | QPSK | 15 | - | - | - | 36.38 | 26.682 | - | - | - | - |
| D | QPSK | 15 | - | - | - | 36.11 | 26.113 | - | - | - | - |
| Total | | | - | - | - | 42.43 | 32.632 | - | - | - | - |
| Total Power+10.5dBi | | | - | - | - | 52.93 | 43.132 | - | - | - | - |

| Antenna Port | NR Modulation | NR Carrier Bandwidth (MHz) | Output power / Peak-to-Average Ratio (PAR) | | | | | | | | |
|---------------------|---------------|----------------------------|--|------------------|----------|--------------------|------------------|----------|--------------------|------------------|----------|
| | | | Channel position B | | | Channel position M | | | Channel position T | | |
| | | | Power (dBm) | Power (dBm /MHz) | PAR (dB) | Power (dBm) | Power (dBm /MHz) | PAR (dB) | Power (dBm) | Power (dBm /MHz) | PAR (dB) |
| A | QPSK | 20 | - | - | - | 36.72 | 26.507 | - | - | - | - |
| B | QPSK | 20 | - | - | - | 36.48 | 26.653 | - | - | - | - |
| C | QPSK | 20 | - | - | - | 36.36 | 26.845 | - | - | - | - |
| D | QPSK | 20 | - | - | - | 36.12 | 26.048 | - | - | - | - |
| Total | | | - | - | - | 42.45 | 32.544 | - | - | - | - |
| Total Power+10.5dBi | | | - | - | - | 52.95 | 43.044 | - | - | - | - |

W+NR-MIMO-MC-3

| Antenna Port | NR Modulation | NR Carrier Bandwidth (MHz) | Output power / Peak-to-Average Ratio (PAR) | | | | | | | | |
|---------------------|---------------|----------------------------|--|------------------|----------|--------------------|------------------|----------|--------------------|------------------|----------|
| | | | Channel position B | | | Channel position M | | | Channel position T | | |
| | | | Power (dBm) | Power (dBm /MHz) | PAR (dB) | Power (dBm) | Power (dBm /MHz) | PAR (dB) | Power (dBm) | Power (dBm /MHz) | PAR (dB) |
| A | QPSK | 5 | - | - | - | 36.60 | 24.026 | - | - | - | - |
| B | QPSK | 5 | - | - | - | 36.38 | 23.819 | - | - | - | - |
| C | QPSK | 5 | - | - | - | 36.31 | 23.874 | - | - | - | - |
| D | QPSK | 5 | - | - | - | 36.02 | 23.197 | - | - | - | - |
| Total | | | - | - | - | 42.35 | 29.761 | - | - | - | - |
| Total Power+10.5dBi | | | - | - | - | 52.85 | 40.261 | - | - | - | - |

| Antenna Port | NR Modulation | NR Carrier Bandwidth (MHz)) | Output power / Peak-to-Average Ratio (PAR) | | | | | | | | |
|---------------------|---------------|-----------------------------|--|------------------|----------|--------------------|------------------|----------|--------------------|------------------|----------|
| | | | Channel position B | | | Channel position M | | | Channel position T | | |
| | | | Power (dBm) | Power (dBm /MHz) | PAR (dB) | Power (dBm) | Power (dBm /MHz) | PAR (dB) | Power (dBm) | Power (dBm /MHz) | PAR (dB) |
| A | QPSK | 10 | - | - | - | 36.70 | 24.103 | - | - | - | - |
| B | QPSK | 10 | - | - | - | 36.45 | 23.905 | - | - | - | - |
| C | QPSK | 10 | - | - | - | 36.37 | 23.570 | - | - | - | - |
| D | QPSK | 10 | - | - | - | 36.12 | 23.184 | - | - | - | - |
| Total | | | - | - | - | 42.44 | 29.725 | - | - | - | - |
| Total Power+10.5dBi | | | - | - | - | 52.94 | 40.225 | - | - | - | - |

| Antenna | NR | NR Carrier | Output power / Peak-to-Average Ratio (PAR) | | | | | | | | |
|---------|----|------------|--|--|--|--|--|--|--|--|--|
|---------|----|------------|--|--|--|--|--|--|--|--|--|

TEST REPORT

| Port | Modulation | Bandwidth (MHz) | Channel position B | | | Channel position M | | | Channel position T | | |
|---------------------|------------|-----------------|--------------------|------------------|----------|--------------------|------------------|----------|--------------------|------------------|----------|
| | | | Power (dBm) | Power (dBm /MHz) | PAR (dB) | Power (dBm) | Power (dBm /MHz) | PAR (dB) | Power (dBm) | Power (dBm /MHz) | PAR (dB) |
| A | QPSK | 15 | - | - | - | 36.77 | 24.003 | - | - | - | - |
| B | QPSK | 15 | - | - | - | 36.53 | 23.906 | - | - | - | - |
| C | QPSK | 15 | - | - | - | 36.39 | 23.659 | - | - | - | - |
| D | QPSK | 15 | - | - | - | 36.13 | 23.068 | - | - | - | - |
| Total | | | - | - | - | 42.48 | 29.694 | - | - | - | - |
| Total Power+10.5dBi | | | - | - | - | 52.98 | 40.194 | - | - | - | - |

W+NR-MIMO-MC-3

| Antenna Port | NR Modulation | NR Carrier Bandwidth (MHz) | Output power / Peak-to-Average Ratio (PAR) | | | | | | | | |
|---------------------|---------------|----------------------------|--|------------------|----------|--------------------|------------------|----------|--------------------|------------------|----------|
| | | | Channel position B | | | Channel position M | | | Channel position T | | |
| | | | Power (dBm) | Power (dBm /MHz) | PAR (dB) | Power (dBm) | Power (dBm /MHz) | PAR (dB) | Power (dBm) | Power (dBm /MHz) | PAR (dB) |
| A | QPSK | 20 | - | - | - | 36.77 | 24.871 | - | - | - | - |
| B | QPSK | 20 | - | - | - | 36.54 | 24.611 | - | - | - | - |
| C | QPSK | 20 | - | - | - | 36.47 | 24.477 | - | - | - | - |
| D | QPSK | 20 | - | - | - | 36.17 | 23.993 | - | - | - | - |
| Total | | | - | - | - | 42.51 | 30.520 | - | - | - | - |
| Total Power+10.5dBi | | | - | - | - | 53.01 | 41.020 | - | - | - | - |

NB+NR mode:

NB+NR-MIMO-MC-1:

| Antenna Port | NR Modulation | NR Carrier Bandwidth (MHz) | Output power / Peak-to-Average Ratio (PAR) | | | | | | | | |
|---------------------|---------------|----------------------------|--|------------------|----------|--------------------|------------------|----------|--------------------|------------------|----------|
| | | | Channel position B | | | Channel position M | | | Channel position T | | |
| | | | Power (dBm) | Power (dBm /MHz) | PAR (dB) | Power (dBm) | Power (dBm /MHz) | PAR (dB) | Power (dBm) | Power (dBm /MHz) | PAR (dB) |
| A | QPSK | 5 | - | - | - | 35.60 | 32.309 | - | - | - | - |
| B | QPSK | 5 | - | - | - | 35.80 | 32.775 | - | - | - | - |
| C | QPSK | 5 | - | - | - | 35.63 | 32.670 | - | - | - | - |
| D | QPSK | 5 | - | - | - | 35.30 | 31.971 | - | - | - | - |
| Total | | | - | - | - | 41.61 | 38.463 | - | - | - | - |
| Total Power+10.5dBi | | | - | - | - | 52.11 | 48.963 | - | - | - | - |

| Antenna Port | NR Modulation | NR Carrier Bandwidth (MHz) | Output power / Peak-to-Average Ratio (PAR) | | | | | | | | |
|--------------|---------------|----------------------------|--|------------------|----------|--------------------|------------------|----------|--------------------|------------------|----------|
| | | | Channel position B | | | Channel position M | | | Channel position T | | |
| | | | Power (dBm) | Power (dBm /MHz) | PAR (dB) | Power (dBm) | Power (dBm /MHz) | PAR (dB) | Power (dBm) | Power (dBm /MHz) | PAR (dB) |
| A | QPSK | 10 | - | - | - | 35.71 | 32.439 | - | - | - | - |
| B | QPSK | 10 | - | - | - | 35.81 | 32.744 | - | - | - | - |
| C | QPSK | 10 | - | - | - | 35.70 | 32.554 | - | - | - | - |

TEST REPORT

| | | | | | | | | | | | |
|---------------------|------|----|---|---|---|-------|--------|---|---|---|---|
| D | QPSK | 10 | - | - | - | 35.32 | 31.930 | - | - | - | - |
| Total | | | - | - | - | 41.66 | 38.448 | - | - | - | - |
| Total Power+10.5dBi | | | - | - | - | 52.16 | 48.948 | - | - | - | - |

| Antenna Port | NR Modulation | NR Carrier Bandwidth (MHz) | Output power / Peak-to-Average Ratio (PAR) | | | | | | | | |
|---------------------|---------------|----------------------------|--|------------------|----------|--------------------|------------------|----------|--------------------|------------------|----------|
| | | | Channel position B | | | Channel position M | | | Channel position T | | |
| | | | Power (dBm) | Power (dBm /MHz) | PAR (dB) | Power (dBm) | Power (dBm /MHz) | PAR (dB) | Power (dBm) | Power (dBm /MHz) | PAR (dB) |
| A | QPSK | 15 | - | - | - | 35.67 | 32.264 | - | - | - | - |
| B | QPSK | 15 | - | - | - | 35.88 | 32.643 | - | - | - | - |
| C | QPSK | 15 | - | - | - | 35.62 | 32.696 | - | - | - | - |
| D | QPSK | 15 | - | - | - | 35.34 | 31.872 | - | - | - | - |
| Total | | | - | - | - | 41.65 | 38.402 | - | - | - | - |
| Total Power+10.5dBi | | | - | - | - | 52.15 | 48.902 | - | - | - | - |

| Antenna Port | NR Modulation | NR Carrier Bandwidth (MHz) | Output power / Peak-to-Average Ratio (PAR) | | | | | | | | |
|---------------------|---------------|----------------------------|--|------------------|----------|--------------------|------------------|----------|--------------------|------------------|----------|
| | | | Channel position B | | | Channel position M | | | Channel position T | | |
| | | | Power (dBm) | Power (dBm /MHz) | PAR (dB) | Power (dBm) | Power (dBm /MHz) | PAR (dB) | Power (dBm) | Power (dBm /MHz) | PAR (dB) |
| A | QPSK | 20 | - | - | - | 35.72 | 32.563 | - | - | - | - |
| B | QPSK | 20 | - | - | - | 35.91 | 32.800 | - | - | - | - |
| C | QPSK | 20 | - | - | - | 35.78 | 32.657 | - | - | - | - |
| D | QPSK | 20 | - | - | - | 35.48 | 31.984 | - | - | - | - |
| Total | | | - | - | - | 41.75 | 38.532 | - | - | - | - |
| Total Power+10.5dBi | | | - | - | - | 52.25 | 49.032 | - | - | - | - |

NB+NR-MIMO-MC-2:

| Antenna Port | NR Modulation | NR Carrier Bandwidth (MHz) | Output power / Peak-to-Average Ratio (PAR) | | | | | | | | |
|---------------------|---------------|----------------------------|--|------------------|----------|--------------------|------------------|----------|--------------------|------------------|----------|
| | | | Channel position B | | | Channel position M | | | Channel position T | | |
| | | | Power (dBm) | Power (dBm /MHz) | PAR (dB) | Power (dBm) | Power (dBm /MHz) | PAR (dB) | Power (dBm) | Power (dBm /MHz) | PAR (dB) |
| A | QPSK | 5 | - | - | - | 35.46 | 30.524 | - | - | - | - |
| B | QPSK | 5 | - | - | - | 35.68 | 30.520 | - | - | - | - |
| C | QPSK | 5 | - | - | - | 35.55 | 30.347 | - | - | - | - |
| D | QPSK | 5 | - | - | - | 35.39 | 29.868 | - | - | - | - |
| Total | | | - | - | - | 41.54 | 36.343 | - | - | - | - |
| Total Power+10.5dBi | | | - | - | - | 52.04 | 46.843 | - | - | - | - |

| Antenna Port | NR Modulation | NR Carrier Bandwidth (MHz) | Output power / Peak-to-Average Ratio (PAR) | | | | | | | | |
|--------------|---------------|----------------------------|--|------------------|----------|--------------------|------------------|----------|--------------------|------------------|----------|
| | | | Channel position B | | | Channel position M | | | Channel position T | | |
| | | | Power (dBm) | Power (dBm /MHz) | PAR (dB) | Power (dBm) | Power (dBm /MHz) | PAR (dB) | Power (dBm) | Power (dBm /MHz) | PAR (dB) |
| A | QPSK | 10 | - | - | - | 35.95 | 30.847 | - | - | - | - |

TEST REPORT

| | | | | | | | | | | | |
|---------------------|------|----|---|---|---|-------|--------|---|---|---|---|
| B | QPSK | 10 | - | - | - | 36.00 | 30.894 | - | - | - | - |
| C | QPSK | 10 | - | - | - | 35.91 | 30.987 | - | - | - | - |
| D | QPSK | 10 | - | - | - | 35.64 | 30.429 | - | - | - | - |
| Total | | | - | - | - | 41.90 | 36.815 | - | - | - | - |
| Total Power+10.5dBi | | | - | - | - | 52.40 | 47.315 | - | - | - | - |

| Antenna Port | NR Modulation | NR Carrier Bandwidth (MHz) | Output power / Peak-to-Average Ratio (PAR) | | | | | | | | |
|---------------------|---------------|----------------------------|--|------------------|----------|--------------------|------------------|----------|--------------------|------------------|----------|
| | | | Channel position B | | | Channel position M | | | Channel position T | | |
| | | | Power (dBm) | Power (dBm /MHz) | PAR (dB) | Power (dBm) | Power (dBm /MHz) | PAR (dB) | Power (dBm) | Power (dBm /MHz) | PAR (dB) |
| A | QPSK | 15 | - | - | - | 36.11 | 30.725 | - | - | - | - |
| B | QPSK | 15 | - | - | - | 36.18 | 31.039 | - | - | - | - |
| C | QPSK | 15 | - | - | - | 36.10 | 30.939 | - | - | - | - |
| D | QPSK | 15 | - | - | - | 35.78 | 30.294 | - | - | - | - |
| Total | | | - | - | - | 42.07 | 36.779 | - | - | - | - |
| Total Power+10.5dBi | | | - | - | - | 52.57 | 47.279 | - | - | - | - |

| Antenna Port | NR Modulation | NR Carrier Bandwidth (MHz) | Output power / Peak-to-Average Ratio (PAR) | | | | | | | | |
|---------------------|---------------|----------------------------|--|------------------|----------|--------------------|------------------|----------|--------------------|------------------|----------|
| | | | Channel position B | | | Channel position M | | | Channel position T | | |
| | | | Power (dBm) | Power (dBm /MHz) | PAR (dB) | Power (dBm) | Power (dBm /MHz) | PAR (dB) | Power (dBm) | Power (dBm /MHz) | PAR (dB) |
| A | QPSK | 20 | - | - | - | 36.26 | 30.900 | - | - | - | - |
| B | QPSK | 20 | - | - | - | 36.32 | 30.823 | - | - | - | - |
| C | QPSK | 20 | - | - | - | 36.18 | 30.770 | - | - | - | - |
| D | QPSK | 20 | - | - | - | 35.96 | 30.436 | - | - | - | - |
| Total | | | - | - | - | 42.20 | 36.756 | - | - | - | - |
| Total Power+10.5dBi | | | - | - | - | 52.70 | 47.256 | - | - | - | - |

NB+NR-MIMO-MC-3:

| Antenna Port | NR Modulation | NR Carrier Bandwidth (MHz) | Output power / Peak-to-Average Ratio (PAR) | | | | | | | | |
|---------------------|---------------|----------------------------|--|------------------|----------|--------------------|------------------|----------|--------------------|------------------|----------|
| | | | Channel position B | | | Channel position M | | | Channel position T | | |
| | | | Power (dBm) | Power (dBm /MHz) | PAR (dB) | Power (dBm) | Power (dBm /MHz) | PAR (dB) | Power (dBm) | Power (dBm /MHz) | PAR (dB) |
| A | QPSK | 20 | - | - | - | 36.38 | 29.754 | - | - | - | - |
| B | QPSK | 20 | - | - | - | 36.50 | 30.319 | - | - | - | - |
| C | QPSK | 20 | - | - | - | 36.24 | 29.731 | - | - | - | - |
| D | QPSK | 20 | - | - | - | 36.01 | 29.395 | - | - | - | - |
| Total | | | - | - | - | 42.31 | 35.833 | - | - | - | - |
| Total Power+10.5dBi | | | - | - | - | 52.81 | 46.333 | - | - | - | - |

NB+NR-MIMO-MC-4:

| Antenna Port | NR Modulation | NR Carrier Bandwidth (MHz) | Output power / Peak-to-Average Ratio (PAR) | | | | | | | | |
|--------------|---------------|----------------------------|--|-------|-----|--------------------|-------|-----|--------------------|-------|-----|
| | | | Channel position B | | | Channel position M | | | Channel position T | | |
| | | | Power | Power | PAR | Power | Power | PAR | Power | Power | PAR |

TEST REPORT

| | | | (dBm) | (dBm /MHz) | (dB) | (dBm) | (dBm /MHz) | (dB) | (dBm) | (dBm /MHz) | (dB) |
|---------------------|------|----|-------|------------|------|-------|------------|------|-------|------------|------|
| A | QPSK | 15 | - | - | - | 36.33 | 28.425 | - | - | - | - |
| B | QPSK | 15 | - | - | - | 36.42 | 28.817 | - | - | - | - |
| C | QPSK | 15 | - | - | - | 36.28 | 28.832 | - | - | - | - |
| D | QPSK | 15 | - | - | - | 35.97 | 28.096 | - | - | - | - |
| Total | | | - | - | - | 42.27 | 34.574 | - | - | - | - |
| Total Power+10.5dBi | | | - | - | - | 52.77 | 45.074 | - | - | - | - |

NB+NR-MIMO-MC-5:

| Antenna Port | NR Modulation | NR Carrier Bandwidth (MHz) | Output power / Peak-to-Average Ratio (PAR) | | | | | | | | |
|---------------------|---------------|----------------------------|--|------------------|----------|--------------------|------------------|----------|--------------------|------------------|----------|
| | | | Channel position B | | | Channel position M | | | Channel position T | | |
| | | | Power (dBm) | Power (dBm /MHz) | PAR (dB) | Power (dBm) | Power (dBm /MHz) | PAR (dB) | Power (dBm) | Power (dBm /MHz) | PAR (dB) |
| A | QPSK | 5 | - | - | - | 36.15 | 27.892 | - | - | - | - |
| B | QPSK | 5 | - | - | - | 36.33 | 28.014 | - | - | - | - |
| C | QPSK | 5 | - | - | - | 36.20 | 27.767 | - | - | - | - |
| D | QPSK | 5 | - | - | - | 35.75 | 27.277 | - | - | - | - |
| Total | | | - | - | - | 42.13 | 33.767 | - | - | - | - |
| Total Power+10.5dBi | | | - | - | - | 52.63 | 44.267 | - | - | - | - |

| Antenna Port | NR Modulation | NR Carrier Bandwidth (MHz) | Output power / Peak-to-Average Ratio (PAR) | | | | | | | | |
|---------------------|---------------|----------------------------|--|------------------|----------|--------------------|------------------|----------|--------------------|------------------|----------|
| | | | Channel position B | | | Channel position M | | | Channel position T | | |
| | | | Power (dBm) | Power (dBm /MHz) | PAR (dB) | Power (dBm) | Power (dBm /MHz) | PAR (dB) | Power (dBm) | Power (dBm /MHz) | PAR (dB) |
| A | QPSK | 10 | - | - | - | 36.37 | 27.950 | - | - | - | - |
| B | QPSK | 10 | - | - | - | 36.50 | 28.080 | - | - | - | - |
| C | QPSK | 10 | - | - | - | 36.27 | 28.018 | - | - | - | - |
| D | QPSK | 10 | - | - | - | 36.01 | 27.324 | - | - | - | - |
| Total | | | - | - | - | 42.31 | 33.874 | - | - | - | - |
| Total Power+10.5dBi | | | - | - | - | 52.81 | 44.374 | - | - | - | - |

LTE+NR mode:

L+NR-MIMO-MC-1

| Antenna Port | NR Modulation | LTE Modulation | NR Carrier Bandwidth (MHz) | LTE Carrier Bandwidth (MHz) | Output power / Peak-to-Average Ratio (PAR) | | |
|---------------------|---------------|----------------|----------------------------|-----------------------------|--|-----------------|----------|
| | | | | | Channel position M | | |
| | | | | | Power (dBm) | Power (dBm/MHz) | PAR (dB) |
| A | QPSK | QPSK | 5 | 1.4 | 36.09 | 32.059 | - |
| B | QPSK | QPSK | 5 | 1.4 | 35.87 | 32.104 | - |
| C | QPSK | QPSK | 5 | 1.4 | 35.84 | 32.173 | - |
| D | QPSK | QPSK | 5 | 1.4 | 35.44 | 32.258 | - |
| Total | | | | | 41.84 | 38.170 | - |
| Total Power+10.5dBi | | | | | 52.34 | 48.670 | - |

TEST REPORT

| Antenna Port | NR Modulation | LTE Modulation | NR Carrier Bandwidth (MHz) | LTE Carrier Bandwidth (MHz) | Output power / Peak-to-Average Ratio (PAR) | | |
|---------------------|---------------|----------------|----------------------------|-----------------------------|--|-----------------|----------|
| | | | | | Channel position M | | |
| | | | | | Power (dBm) | Power (dBm/MHz) | PAR (dB) |
| A | QPSK | QPSK | 5 | 3 | 36.38 | 29.462 | - |
| B | QPSK | QPSK | 5 | 3 | 36.11 | 29.313 | - |
| C | QPSK | QPSK | 5 | 3 | 36.10 | 29.288 | - |
| D | QPSK | QPSK | 5 | 3 | 35.75 | 28.561 | - |
| Total | | | | | 42.11 | 35.190 | - |
| Total Power+10.5dBi | | | | | 52.61 | 45.690 | - |

| Antenna Port | NR Modulation | LTE Modulation | NR Carrier Bandwidth (MHz) | LTE Carrier Bandwidth (MHz) | Output power / Peak-to-Average Ratio (PAR) | | |
|---------------------|---------------|----------------|----------------------------|-----------------------------|--|-----------------|----------|
| | | | | | Channel position M | | |
| | | | | | Power (dBm) | Power (dBm/MHz) | PAR (dB) |
| A | QPSK | QPSK | 5 | 5 | 36.53 | 27.944 | - |
| B | QPSK | QPSK | 5 | 5 | 36.28 | 27.577 | - |
| C | QPSK | QPSK | 5 | 5 | 36.27 | 27.613 | - |
| D | QPSK | QPSK | 5 | 5 | 35.75 | 28.561 | - |
| Total | | | | | 42.24 | 33.963 | - |
| Total Power+10.5dBi | | | | | 52.74 | 44.463 | - |

| Antenna Port | NR Modulation | LTE Modulation | NR Carrier Bandwidth (MHz) | LTE Carrier Bandwidth (MHz) | Output power / Peak-to-Average Ratio (PAR) | | |
|---------------------|---------------|----------------|----------------------------|-----------------------------|--|-----------------|----------|
| | | | | | Channel position M | | |
| | | | | | Power (dBm) | Power (dBm/MHz) | PAR (dB) |
| A | QPSK | QPSK | 10 | 1.4 | 36.18 | 32.446 | - |
| B | QPSK | QPSK | 10 | 1.4 | 35.89 | 32.071 | - |
| C | QPSK | QPSK | 10 | 1.4 | 35.91 | 31.883 | - |
| D | QPSK | QPSK | 10 | 1.4 | 35.53 | 31.513 | - |
| Total | | | | | 41.90 | 38.012 | - |
| Total Power+10.5dBi | | | | | 52.40 | 48.512 | - |

| Antenna Port | NR Modulation | LTE Modulation | NR Carrier Bandwidth (MHz) | LTE Carrier Bandwidth (MHz) | Output power / Peak-to-Average Ratio (PAR) | | |
|---------------------|---------------|----------------|----------------------------|-----------------------------|--|-----------------|----------|
| | | | | | Channel position M | | |
| | | | | | Power (dBm) | Power (dBm/MHz) | PAR (dB) |
| A | QPSK | QPSK | 10 | 5 | 36.59 | 27.819 | - |
| B | QPSK | QPSK | 10 | 5 | 36.32 | 27.408 | - |
| C | QPSK | QPSK | 10 | 5 | 36.31 | 27.516 | - |
| D | QPSK | QPSK | 10 | 5 | 35.97 | 26.673 | - |
| Total | | | | | 42.32 | 33.395 | - |
| Total Power+10.5dBi | | | | | 52.82 | 43.895 | - |

TEST REPORT

| Antenna Port | NR Modulation | LTE Modulation | NR Carrier Bandwidth (MHz) | LTE Carrier Bandwidth (MHz) | Output power / Peak-to-Average Ratio (PAR) | | |
|---------------------|---------------|----------------|----------------------------|-----------------------------|--|-----------------|----------|
| | | | | | Channel position M | | |
| | | | | | Power (dBm) | Power (dBm/MHz) | PAR (dB) |
| A | QPSK | QPSK | 15 | 1.4 | 36.20 | 32.234 | - |
| B | QPSK | QPSK | 15 | 1.4 | 36.02 | 31.950 | - |
| C | QPSK | QPSK | 15 | 1.4 | 35.94 | 31.950 | - |
| D | QPSK | QPSK | 15 | 1.4 | 35.58 | 31.341 | - |
| Total | | | | | 41.96 | 37.901 | - |
| Total Power+10.5dBi | | | | | 52.46 | 48.401 | - |

| Antenna Port | NR Modulation | LTE Modulation | NR Carrier Bandwidth (MHz) | LTE Carrier Bandwidth (MHz) | Output power / Peak-to-Average Ratio (PAR) | | |
|---------------------|---------------|----------------|----------------------------|-----------------------------|--|-----------------|----------|
| | | | | | Channel position M | | |
| | | | | | Power (dBm) | Power (dBm/MHz) | PAR (dB) |
| A | QPSK | QPSK | 15 | 5 | 36.62 | 27.741 | - |
| B | QPSK | QPSK | 15 | 5 | 36.36 | 27.463 | - |
| C | QPSK | QPSK | 15 | 5 | 36.35 | 27.563 | - |
| D | QPSK | QPSK | 15 | 5 | 35.98 | 26.759 | - |
| Total | | | | | 42.35 | 33.418 | - |
| Total Power+10.5dBi | | | | | 52.85 | 43.918 | - |

| Antenna Port | NR Modulation | LTE Modulation | NR Carrier Bandwidth (MHz) | LTE Carrier Bandwidth (MHz) | Output power / Peak-to-Average Ratio (PAR) | | |
|---------------------|---------------|----------------|----------------------------|-----------------------------|--|-----------------|----------|
| | | | | | Channel position M | | |
| | | | | | Power (dBm) | Power (dBm/MHz) | PAR (dB) |
| A | QPSK | QPSK | 20 | 1.4 | 36.20 | 32.234 | - |
| B | QPSK | QPSK | 20 | 1.4 | 35.99 | 31.955 | - |
| C | QPSK | QPSK | 20 | 1.4 | 35.94 | 32.023 | - |
| D | QPSK | QPSK | 20 | 1.4 | 35.55 | 31.405 | - |
| Total | | | | | 41.95 | 37.935 | - |
| Total Power+10.5dBi | | | | | 52.45 | 48.435 | - |

| Antenna Port | NR Modulation | LTE Modulation | NR Carrier Bandwidth (MHz) | LTE Carrier Bandwidth (MHz) | Output power / Peak-to-Average Ratio (PAR) | | |
|---------------------|---------------|----------------|----------------------------|-----------------------------|--|-----------------|----------|
| | | | | | Channel position M | | |
| | | | | | Power (dBm) | Power (dBm/MHz) | PAR (dB) |
| A | QPSK | QPSK | 20 | 5 | 36.66 | 27.695 | - |
| B | QPSK | QPSK | 20 | 5 | 36.39 | 27.375 | - |
| C | QPSK | QPSK | 20 | 5 | 36.38 | 27.530 | - |
| D | QPSK | QPSK | 20 | 5 | 36.00 | 26.844 | - |
| Total | | | | | 42.38 | 33.393 | - |
| Total Power+10.5dBi | | | | | 52.88 | 43.893 | - |

TEST REPORT

L+NR-MIMO-MC-2

| Antenna Port | NR Modulation | LTE Modulation | NR Carrier Bandwidth (MHz) | LTE Carrier Bandwidth (MHz) | Output power / Peak-to-Average Ratio (PAR) | | |
|---------------------|---------------|----------------|----------------------------|-----------------------------|--|-----------------|----------|
| | | | | | Channel position M | | |
| | | | | | Power (dBm) | Power (dBm/MHz) | PAR (dB) |
| A | QPSK | QPSK | 5 | 1.4 | 36.10 | 30.569 | - |
| B | QPSK | QPSK | 5 | 1.4 | 35.83 | 30.264 | - |
| C | QPSK | QPSK | 5 | 1.4 | 35.79 | 30.159 | - |
| D | QPSK | QPSK | 5 | 1.4 | 35.42 | 29.305 | - |
| Total | | | | | 41.81 | 36.119 | - |
| Total Power+10.5dBi | | | | | 52.31 | 46.619 | - |

| Antenna Port | NR Modulation | LTE Modulation | NR Carrier Bandwidth (MHz) | LTE Carrier Bandwidth (MHz) | Output power / Peak-to-Average Ratio (PAR) | | |
|---------------------|---------------|----------------|----------------------------|-----------------------------|--|-----------------|----------|
| | | | | | Channel position M | | |
| | | | | | Power (dBm) | Power (dBm/MHz) | PAR (dB) |
| A | QPSK | QPSK | 5 | 3 | 36.20 | 27.443 | - |
| B | QPSK | QPSK | 5 | 3 | 35.95 | 27.314 | - |
| C | QPSK | QPSK | 5 | 3 | 35.97 | 27.463 | - |
| D | QPSK | QPSK | 5 | 3 | 35.56 | 26.699 | - |
| Total | | | | | 41.95 | 33.261 | - |
| Total Power+10.5dBi | | | | | 52.45 | 43.761 | - |

| Antenna Port | NR Modulation | LTE Modulation | NR Carrier Bandwidth (MHz) | LTE Carrier Bandwidth (MHz) | Output power / Peak-to-Average Ratio (PAR) | | |
|---------------------|---------------|----------------|----------------------------|-----------------------------|--|-----------------|----------|
| | | | | | Channel position M | | |
| | | | | | Power (dBm) | Power (dBm/MHz) | PAR (dB) |
| A | QPSK | QPSK | 5 | 5 | 36.28 | 25.891 | - |
| B | QPSK | QPSK | 5 | 5 | 35.98 | 25.537 | - |
| C | QPSK | QPSK | 5 | 5 | 36.01 | 25.606 | - |
| D | QPSK | QPSK | 5 | 5 | 35.62 | 24.938 | - |
| Total | | | | | 42.00 | 31.527 | - |
| Total Power+10.5dBi | | | | | 52.50 | 42.027 | - |

| Antenna Port | NR Modulation | LTE Modulation | NR Carrier Bandwidth (MHz) | LTE Carrier Bandwidth (MHz) | Output power / Peak-to-Average Ratio (PAR) | | |
|---------------------|---------------|----------------|----------------------------|-----------------------------|--|-----------------|----------|
| | | | | | Channel position M | | |
| | | | | | Power (dBm) | Power (dBm/MHz) | PAR (dB) |
| A | QPSK | QPSK | 10 | 1.4 | 36.17 | 30.332 | - |
| B | QPSK | QPSK | 10 | 1.4 | 35.89 | 30.056 | - |
| C | QPSK | QPSK | 10 | 1.4 | 35.90 | 29.960 | - |
| D | QPSK | QPSK | 10 | 1.4 | 35.52 | 29.431 | - |
| Total | | | | | 41.90 | 35.977 | - |
| Total Power+10.5dBi | | | | | 52.40 | 46.477 | - |

TEST REPORT

| Antenna Port | NR Modulation | LTE Modulation | NR Carrier Bandwidth (MHz) | LTE Carrier Bandwidth (MHz) | Output power / Peak-to-Average Ratio (PAR) | | |
|---------------------|---------------|----------------|----------------------------|-----------------------------|--|-----------------|----------|
| | | | | | Channel position M | | |
| | | | | | Power (dBm) | Power (dBm/MHz) | PAR (dB) |
| A | QPSK | QPSK | 15 | 1.4 | 36.22 | 30.275 | - |
| B | QPSK | QPSK | 15 | 1.4 | 35.92 | 30.007 | - |
| C | QPSK | QPSK | 15 | 1.4 | 35.96 | 29.963 | - |
| D | QPSK | QPSK | 15 | 1.4 | 35.53 | 29.263 | - |
| Total | | | | | 41.94 | 35.913 | - |
| Total Power+10.5dBi | | | | | 52.44 | 46.413 | - |

| Antenna Port | NR Modulation | LTE Modulation | NR Carrier Bandwidth (MHz) | LTE Carrier Bandwidth (MHz) | Output power / Peak-to-Average Ratio (PAR) | | |
|---------------------|---------------|----------------|----------------------------|-----------------------------|--|-----------------|----------|
| | | | | | Channel position M | | |
| | | | | | Power (dBm) | Power (dBm/MHz) | PAR (dB) |
| A | QPSK | QPSK | 15 | 5 | 36.42 | 25.626 | - |
| B | QPSK | QPSK | 15 | 5 | 36.11 | 25.241 | - |
| C | QPSK | QPSK | 15 | 5 | 36.11 | 25.345 | - |
| D | QPSK | QPSK | 15 | 5 | 35.75 | 24.837 | - |
| Total | | | | | 42.12 | 31.292 | - |
| Total Power+10.5dBi | | | | | 52.62 | 41.792 | - |

| Antenna Port | NR Modulation | LTE Modulation | NR Carrier Bandwidth (MHz) | LTE Carrier Bandwidth (MHz) | Output power / Peak-to-Average Ratio (PAR) | | |
|---------------------|---------------|----------------|----------------------------|-----------------------------|--|-----------------|----------|
| | | | | | Channel position M | | |
| | | | | | Power (dBm) | Power (dBm/MHz) | PAR (dB) |
| A | QPSK | QPSK | 20 | 1.4 | 36.26 | 30.489 | - |
| B | QPSK | QPSK | 20 | 1.4 | 35.96 | 29.985 | - |
| C | QPSK | QPSK | 20 | 1.4 | 35.94 | 29.876 | - |
| D | QPSK | QPSK | 20 | 1.4 | 35.59 | 29.212 | - |
| Total | | | | | 41.96 | 35.935 | - |
| Total Power+10.5dBi | | | | | 52.46 | 46.435 | - |

| Antenna Port | NR Modulation | LTE Modulation | NR Carrier Bandwidth (MHz) | LTE Carrier Bandwidth (MHz) | Output power / Peak-to-Average Ratio (PAR) | | |
|---------------------|---------------|----------------|----------------------------|-----------------------------|--|-----------------|----------|
| | | | | | Channel position M | | |
| | | | | | Power (dBm) | Power (dBm/MHz) | PAR (dB) |
| A | QPSK | QPSK | 20 | 5 | 36.44 | 25.516 | - |
| B | QPSK | QPSK | 20 | 5 | 36.12 | 25.198 | - |
| C | QPSK | QPSK | 20 | 5 | 36.12 | 25.260 | - |
| D | QPSK | QPSK | 20 | 5 | 35.77 | 24.715 | - |
| Total | | | | | 42.14 | 31.202 | - |
| Total Power+10.5dBi | | | | | 52.64 | 41.702 | - |

TEST REPORT

L+NR-MIMO-MC-3

| Antenna Port | NR Modulation | LTE Modulation | NR Carrier Bandwidth (MHz) | LTE Carrier Bandwidth (MHz) | Output power / Peak-to-Average Ratio (PAR) | | |
|---------------------|---------------|----------------|----------------------------|-----------------------------|--|-----------------|----------|
| | | | | | Channel position M | | |
| | | | | | Power (dBm) | Power (dBm/MHz) | PAR (dB) |
| A | QPSK | QPSK | 5 | 1.4 | 36.06 | 27.684 | - |
| B | QPSK | QPSK | 5 | 1.4 | 35.78 | 27.398 | - |
| C | QPSK | QPSK | 5 | 1.4 | 35.80 | 27.269 | - |
| D | QPSK | QPSK | 5 | 1.4 | 35.41 | 26.978 | - |
| Total | | | | | 41.79 | 33.360 | - |
| Total Power+10.5dBi | | | | | 52.29 | 43.860 | - |

| Antenna Port | NR Modulation | LTE Modulation | NR Carrier Bandwidth (MHz) | LTE Carrier Bandwidth (MHz) | Output power / Peak-to-Average Ratio (PAR) | | |
|---------------------|---------------|----------------|----------------------------|-----------------------------|--|-----------------|----------|
| | | | | | Channel position M | | |
| | | | | | Power (dBm) | Power (dBm/MHz) | PAR (dB) |
| A | QPSK | QPSK | 5 | 3 | 36.30 | 24.820 | - |
| B | QPSK | QPSK | 5 | 3 | 36.02 | 24.529 | - |
| C | QPSK | QPSK | 5 | 3 | 36.00 | 24.622 | - |
| D | QPSK | QPSK | 5 | 3 | 35.65 | 24.118 | - |
| Total | | | | | 42.02 | 30.550 | - |
| Total Power+10.5dBi | | | | | 52.52 | 41.050 | - |

| Antenna Port | NR Modulation | LTE Modulation | NR Carrier Bandwidth (MHz) | LTE Carrier Bandwidth (MHz) | Output power / Peak-to-Average Ratio (PAR) | | |
|---------------------|---------------|----------------|----------------------------|-----------------------------|--|-----------------|----------|
| | | | | | Channel position M | | |
| | | | | | Power (dBm) | Power (dBm/MHz) | PAR (dB) |
| A | QPSK | QPSK | 5 | 5 | 36.49 | 23.020 | - |
| B | QPSK | QPSK | 5 | 5 | 36.17 | 22.736 | - |
| C | QPSK | QPSK | 5 | 5 | 36.15 | 22.705 | - |
| D | QPSK | QPSK | 5 | 5 | 35.80 | 22.118 | - |
| Total | | | | | 42.18 | 28.678 | - |
| Total Power+10.5dBi | | | | | 52.68 | 39.178 | - |

| Antenna Port | NR Modulation | LTE Modulation | NR Carrier Bandwidth (MHz) | LTE Carrier Bandwidth (MHz) | Output power / Peak-to-Average Ratio (PAR) | | |
|---------------------|---------------|----------------|----------------------------|-----------------------------|--|-----------------|----------|
| | | | | | Channel position M | | |
| | | | | | Power (dBm) | Power (dBm/MHz) | PAR (dB) |
| A | QPSK | QPSK | 10 | 1.4 | 36.19 | 27.845 | - |
| B | QPSK | QPSK | 10 | 1.4 | 35.86 | 27.370 | - |
| C | QPSK | QPSK | 10 | 1.4 | 35.85 | 27.246 | - |
| D | QPSK | QPSK | 10 | 1.4 | 35.53 | 26.774 | - |
| Total | | | | | 41.88 | 33.346 | - |
| Total Power+10.5dBi | | | | | 52.38 | 43.846 | - |

TEST REPORT

| Antenna Port | NR Modulation | LTE Modulation | NR Carrier Bandwidth (MHz) | LTE Carrier Bandwidth (MHz) | Output power / Peak-to-Average Ratio (PAR) | | |
|---------------------|---------------|----------------|----------------------------|-----------------------------|--|-----------------|----------|
| | | | | | Channel position M | | |
| | | | | | Power (dBm) | Power (dBm/MHz) | PAR (dB) |
| A | QPSK | QPSK | 10 | 5 | 36.53 | 2305.000 | - |
| B | QPSK | QPSK | 10 | 5 | 36.22 | 22.694 | - |
| C | QPSK | QPSK | 10 | 5 | 36.21 | 22.613 | - |
| D | QPSK | QPSK | 10 | 5 | 35.86 | 22.182 | - |
| Total | | | | | 42.23 | 2305.000 | - |
| Total Power+10.5dBi | | | | | 52.73 | 2315.500 | - |

| Antenna Port | NR Modulation | LTE Modulation | NR Carrier Bandwidth (MHz) | LTE Carrier Bandwidth (MHz) | Output power / Peak-to-Average Ratio (PAR) | | |
|---------------------|---------------|----------------|----------------------------|-----------------------------|--|-----------------|----------|
| | | | | | Channel position M | | |
| | | | | | Power (dBm) | Power (dBm/MHz) | PAR (dB) |
| A | QPSK | QPSK | 15 | 1.4 | 36.18 | 27.571 | - |
| B | QPSK | QPSK | 15 | 1.4 | 35.85 | 27.222 | - |
| C | QPSK | QPSK | 15 | 1.4 | 35.85 | 27.276 | - |
| D | QPSK | QPSK | 15 | 1.4 | 35.50 | 26.700 | - |
| Total | | | | | 41.87 | 33.224 | - |
| Total Power+10.5dBi | | | | | 52.37 | 43.724 | - |

| Antenna Port | NR Modulation | LTE Modulation | NR Carrier Bandwidth (MHz) | LTE Carrier Bandwidth (MHz) | Output power / Peak-to-Average Ratio (PAR) | | |
|---------------------|---------------|----------------|----------------------------|-----------------------------|--|-----------------|----------|
| | | | | | Channel position M | | |
| | | | | | Power (dBm) | Power (dBm/MHz) | PAR (dB) |
| A | QPSK | QPSK | 15 | 5 | 36.53 | 22.886 | - |
| B | QPSK | QPSK | 15 | 5 | 36.24 | 22.781 | - |
| C | QPSK | QPSK | 15 | 5 | 36.18 | 22.681 | - |
| D | QPSK | QPSK | 15 | 5 | 35.87 | 21.903 | - |
| Total | | | | | 42.23 | 28.600 | - |
| Total Power+10.5dBi | | | | | 52.73 | 39.100 | - |

| Antenna Port | NR Modulation | LTE Modulation | NR Carrier Bandwidth (MHz) | LTE Carrier Bandwidth (MHz) | Output power / Peak-to-Average Ratio (PAR) | | |
|---------------------|---------------|----------------|----------------------------|-----------------------------|--|-----------------|----------|
| | | | | | Channel position M | | |
| | | | | | Power (dBm) | Power (dBm/MHz) | PAR (dB) |
| A | QPSK | QPSK | 20 | 1.4 | 36.17 | 27.488 | - |
| B | QPSK | QPSK | 20 | 1.4 | 35.84 | 27.361 | - |
| C | QPSK | QPSK | 20 | 1.4 | 35.81 | 27.413 | - |
| D | QPSK | QPSK | 20 | 1.4 | 35.50 | 26.699 | - |
| Total | | | | | 41.86 | 33.272 | - |
| Total Power+10.5dBi | | | | | 52.36 | 43.772 | - |

TEST REPORT

L+NR-MIMO-MC-4

| Antenna Port | NR Modulation | LTE Modulation | NR Carrier Bandwidth (MHz) | LTE Carrier Bandwidth (MHz) | Output power / Peak-to-Average Ratio (PAR) | | |
|---------------------|---------------|----------------|----------------------------|-----------------------------|--|-----------------|----------|
| | | | | | Channel position M | | |
| | | | | | Power (dBm) | Power (dBm/MHz) | PAR (dB) |
| A | QPSK | QPSK | 20 | 5 | 36.54 | 23.598 | - |
| B | QPSK | QPSK | 20 | 5 | 36.21 | 23.474 | - |
| C | QPSK | QPSK | 20 | 5 | 36.19 | 23.393 | - |
| D | QPSK | QPSK | 20 | 5 | 35.85 | 22.839 | - |
| Total | | | | | 42.22 | 29.356 | - |
| Total Power+10.5dBi | | | | | 52.72 | 39.856 | - |

WCDMA+LTE+NR mode:

W+L+NR-MIMO-MC-1

| Antenna Port | NR Modulation | LTE Modulation | NR Carrier Bandwidth (MHz) | LTE Carrier Bandwidth (MHz) | Output power / Peak-to-Average Ratio (PAR) | | |
|---------------------|---------------|----------------|----------------------------|-----------------------------|--|-----------------|----------|
| | | | | | Channel position M | | |
| | | | | | Power (dBm) | Power (dBm/MHz) | PAR (dB) |
| A | QPSK | QPSK | 5 | 1.4 | 36.07 | 30.452 | - |
| B | QPSK | QPSK | 5 | 1.4 | 36.21 | 30.837 | - |
| C | QPSK | QPSK | 5 | 1.4 | 36.07 | 30.387 | - |
| D | QPSK | QPSK | 5 | 1.4 | 35.77 | 29.776 | - |
| Total | | | | | 42.05 | 36.400 | - |
| Total Power+10.5dBi | | | | | 52.55 | 46.900 | - |

| Antenna Port | NR Modulation | LTE Modulation | NR Carrier Bandwidth (MHz) | LTE Carrier Bandwidth (MHz) | Output power / Peak-to-Average Ratio (PAR) | | |
|---------------------|---------------|----------------|----------------------------|-----------------------------|--|-----------------|----------|
| | | | | | Channel position M | | |
| | | | | | Power (dBm) | Power (dBm/MHz) | PAR (dB) |
| A | QPSK | QPSK | 5 | 3 | 36.15 | 27.467 | - |
| B | QPSK | QPSK | 5 | 3 | 36.31 | 27.535 | - |
| C | QPSK | QPSK | 5 | 3 | 36.16 | 27.433 | - |
| D | QPSK | QPSK | 5 | 3 | 35.87 | 26.927 | - |
| Total | | | | | 42.15 | 33.368 | - |
| Total Power+10.5dBi | | | | | 52.65 | 43.868 | - |

| Antenna Port | NR Modulation | LTE Modulation | NR Carrier Bandwidth (MHz) | LTE Carrier Bandwidth (MHz) | Output power / Peak-to-Average Ratio (PAR) | | |
|---------------------|---------------|----------------|----------------------------|-----------------------------|--|-----------------|----------|
| | | | | | Channel position M | | |
| | | | | | Power (dBm) | Power (dBm/MHz) | PAR (dB) |
| A | QPSK | QPSK | 5 | 5 | 36.30 | 26.616 | - |
| B | QPSK | QPSK | 5 | 5 | 36.43 | 26.705 | - |
| C | QPSK | QPSK | 5 | 5 | 36.34 | 26.578 | - |
| D | QPSK | QPSK | 5 | 5 | 36.05 | 25.878 | - |
| Total | | | | | 42.30 | 32.477 | - |
| Total Power+10.5dBi | | | | | 52.80 | 42.977 | - |

TEST REPORT

| Antenna Port | NR Modulation | LTE Modulation | NR Carrier Bandwidth (MHz) | LTE Carrier Bandwidth (MHz) | Output power / Peak-to-Average Ratio (PAR) | | |
|---------------------|---------------|----------------|----------------------------|-----------------------------|--|-----------------|----------|
| | | | | | Channel position M | | |
| | | | | | Power (dBm) | Power (dBm/MHz) | PAR (dB) |
| A | QPSK | QPSK | 10 | 1.4 | 36.18 | 30.645 | - |
| B | QPSK | QPSK | 10 | 1.4 | 36.24 | 30.854 | - |
| C | QPSK | QPSK | 10 | 1.4 | 36.19 | 30.390 | - |
| D | QPSK | QPSK | 10 | 1.4 | 35.79 | 29.637 | - |
| Total | | | | | 42.12 | 36.426 | - |
| Total Power+10.5dBi | | | | | 52.62 | 46.926 | - |

| Antenna Port | NR Modulation | LTE Modulation | NR Carrier Bandwidth (MHz) | LTE Carrier Bandwidth (MHz) | Output power / Peak-to-Average Ratio (PAR) | | |
|---------------------|---------------|----------------|----------------------------|-----------------------------|--|-----------------|----------|
| | | | | | Channel position M | | |
| | | | | | Power (dBm) | Power (dBm/MHz) | PAR (dB) |
| A | QPSK | QPSK | 10 | 5 | 36.40 | 26.584 | - |
| B | QPSK | QPSK | 10 | 5 | 36.49 | 26.588 | - |
| C | QPSK | QPSK | 10 | 5 | 36.41 | 26.595 | - |
| D | QPSK | QPSK | 10 | 5 | 36.09 | 25.929 | - |
| Total | | | | | 42.37 | 32.454 | - |
| Total Power+10.5dBi | | | | | 52.87 | 42.954 | - |

| Antenna Port | NR Modulation | LTE Modulation | NR Carrier Bandwidth (MHz) | LTE Carrier Bandwidth (MHz) | Output power / Peak-to-Average Ratio (PAR) | | |
|---------------------|---------------|----------------|----------------------------|-----------------------------|--|-----------------|----------|
| | | | | | Channel position M | | |
| | | | | | Power (dBm) | Power (dBm/MHz) | PAR (dB) |
| A | QPSK | QPSK | 15 | 1.4 | 36.14 | 30.596 | - |
| B | QPSK | QPSK | 15 | 1.4 | 36.30 | 30.383 | - |
| C | QPSK | QPSK | 15 | 1.4 | 36.19 | 29.583 | - |
| D | QPSK | QPSK | 15 | 1.4 | 35.88 | 29.945 | - |
| Total | | | | | 42.15 | 36.165 | - |
| Total Power+10.5dBi | | | | | 52.65 | 46.665 | - |

| Antenna Port | NR Modulation | LTE Modulation | NR Carrier Bandwidth (MHz) | LTE Carrier Bandwidth (MHz) | Output power / Peak-to-Average Ratio (PAR) | | |
|---------------------|---------------|----------------|----------------------------|-----------------------------|--|-----------------|----------|
| | | | | | Channel position M | | |
| | | | | | Power (dBm) | Power (dBm/MHz) | PAR (dB) |
| A | QPSK | QPSK | 15 | 5 | 36.38 | 26.535 | - |
| B | QPSK | QPSK | 15 | 5 | 36.50 | 26.584 | - |
| C | QPSK | QPSK | 15 | 5 | 36.46 | 26.457 | - |
| D | QPSK | QPSK | 15 | 5 | 36.11 | 25.938 | - |
| Total | | | | | 42.39 | 32.407 | - |
| Total Power+10.5dBi | | | | | 52.89 | 42.907 | - |

TEST REPORT

| Antenna Port | NR Modulation | LTE Modulation | NR Carrier Bandwidth (MHz) | LTE Carrier Bandwidth (MHz) | Output power / Peak-to-Average Ratio (PAR) | | |
|---------------------|---------------|----------------|----------------------------|-----------------------------|--|-----------------|----------|
| | | | | | Channel position M | | |
| | | | | | Power (dBm) | Power (dBm/MHz) | PAR (dB) |
| A | QPSK | QPSK | 20 | 1.4 | 36.16 | 30.379 | - |
| B | QPSK | QPSK | 20 | 1.4 | 36.32 | 30.670 | - |
| C | QPSK | QPSK | 20 | 1.4 | 36.18 | 30.345 | - |
| D | QPSK | QPSK | 20 | 1.4 | 35.89 | 29.974 | - |
| Total | | | | | 42.16 | 36.370 | - |
| Total Power+10.5dBi | | | | | 52.66 | 46.870 | - |

| Antenna Port | NR Modulation | LTE Modulation | NR Carrier Bandwidth (MHz) | LTE Carrier Bandwidth (MHz) | Output power / Peak-to-Average Ratio (PAR) | | |
|---------------------|---------------|----------------|----------------------------|-----------------------------|--|-----------------|----------|
| | | | | | Channel position M | | |
| | | | | | Power (dBm) | Power (dBm/MHz) | PAR (dB) |
| A | QPSK | QPSK | 20 | 5 | 36.42 | 26.474 | - |
| B | QPSK | QPSK | 20 | 5 | 36.53 | 26.563 | - |
| C | QPSK | QPSK | 20 | 5 | 36.47 | 26.569 | - |
| D | QPSK | QPSK | 20 | 5 | 36.12 | 25.991 | - |
| Total | | | | | 42.41 | 32.426 | - |
| Total Power+10.5dBi | | | | | 52.91 | 42.926 | - |

W+L+NR-MIMO-MC-2

| Antenna Port | NR Modulation | LTE Modulation | NR Carrier Bandwidth (MHz) | LTE Carrier Bandwidth (MHz) | Output power / Peak-to-Average Ratio (PAR) | | |
|---------------------|---------------|----------------|----------------------------|-----------------------------|--|-----------------|----------|
| | | | | | Channel position M | | |
| | | | | | Power (dBm) | Power (dBm/MHz) | PAR (dB) |
| A | QPSK | QPSK | 5 | 1.4 | 36.16 | 29.444 | - |
| B | QPSK | QPSK | 5 | 1.4 | 36.32 | 29.553 | - |
| C | QPSK | QPSK | 5 | 1.4 | 36.26 | 29.321 | - |
| D | QPSK | QPSK | 5 | 1.4 | 35.95 | 28.716 | - |
| Total | | | | | 42.20 | 35.291 | - |
| Total Power+10.5dBi | | | | | 52.70 | 45.791 | - |

| Antenna Port | NR Modulation | LTE Modulation | NR Carrier Bandwidth (MHz) | LTE Carrier Bandwidth (MHz) | Output power / Peak-to-Average Ratio (PAR) | | |
|---------------------|---------------|----------------|----------------------------|-----------------------------|--|-----------------|----------|
| | | | | | Channel position M | | |
| | | | | | Power (dBm) | Power (dBm/MHz) | PAR (dB) |
| A | QPSK | QPSK | 5 | 3 | 36.25 | 26.507 | - |
| B | QPSK | QPSK | 5 | 3 | 36.38 | 26.345 | - |
| C | QPSK | QPSK | 5 | 3 | 36.27 | 26.519 | - |
| D | QPSK | QPSK | 5 | 3 | 35.98 | 25.741 | - |
| Total | | | | | 42.24 | 32.310 | - |
| Total Power+10.5dBi | | | | | 52.74 | 42.810 | - |

TEST REPORT

| Antenna Port | NR Modulation | LTE Modulation | NR Carrier Bandwidth (MHz) | LTE Carrier Bandwidth (MHz) | Output power / Peak-to-Average Ratio (PAR) | | |
|---------------------|---------------|----------------|----------------------------|-----------------------------|--|-----------------|----------|
| | | | | | Channel position M | | |
| | | | | | Power (dBm) | Power (dBm/MHz) | PAR (dB) |
| A | QPSK | QPSK | 5 | 5 | 36.40 | 25.427 | - |
| B | QPSK | QPSK | 5 | 5 | 36.54 | 25.499 | - |
| C | QPSK | QPSK | 5 | 5 | 36.48 | 25.327 | - |
| D | QPSK | QPSK | 5 | 5 | 36.15 | 24.794 | - |
| Total | | | | | 42.42 | 31.291 | - |
| Total Power+10.5dBi | | | | | 52.92 | 41.791 | - |

| Antenna Port | NR Modulation | LTE Modulation | NR Carrier Bandwidth (MHz) | LTE Carrier Bandwidth (MHz) | Output power / Peak-to-Average Ratio (PAR) | | |
|---------------------|---------------|----------------|----------------------------|-----------------------------|--|-----------------|----------|
| | | | | | Channel position M | | |
| | | | | | Power (dBm) | Power (dBm/MHz) | PAR (dB) |
| A | QPSK | QPSK | 10 | 1.4 | 36.23 | 29.201 | - |
| B | QPSK | QPSK | 10 | 1.4 | 36.33 | 29.487 | - |
| C | QPSK | QPSK | 10 | 1.4 | 36.27 | 29.185 | - |
| D | QPSK | QPSK | 10 | 1.4 | 35.93 | 28.877 | - |
| Total | | | | | 42.21 | 35.213 | - |
| Total Power+10.5dBi | | | | | 52.71 | 45.713 | - |

| Antenna Port | NR Modulation | LTE Modulation | NR Carrier Bandwidth (MHz) | LTE Carrier Bandwidth (MHz) | Output power / Peak-to-Average Ratio (PAR) | | |
|---------------------|---------------|----------------|----------------------------|-----------------------------|--|-----------------|----------|
| | | | | | Channel position M | | |
| | | | | | Power (dBm) | Power (dBm/MHz) | PAR (dB) |
| A | QPSK | QPSK | 10 | 5 | 36.44 | 25.418 | - |
| B | QPSK | QPSK | 10 | 5 | 36.56 | 25.575 | - |
| C | QPSK | QPSK | 10 | 5 | 36.44 | 25.379 | - |
| D | QPSK | QPSK | 10 | 5 | 36.17 | 24.878 | - |
| Total | | | | | 42.43 | 31.341 | - |
| Total Power+10.5dBi | | | | | 52.93 | 41.841 | - |

| Antenna Port | NR Modulation | LTE Modulation | NR Carrier Bandwidth (MHz) | LTE Carrier Bandwidth (MHz) | Output power / Peak-to-Average Ratio (PAR) | | |
|---------------------|---------------|----------------|----------------------------|-----------------------------|--|-----------------|----------|
| | | | | | Channel position M | | |
| | | | | | Power (dBm) | Power (dBm/MHz) | PAR (dB) |
| A | QPSK | QPSK | 15 | 1.4 | 36.26 | 29.241 | - |
| B | QPSK | QPSK | 15 | 1.4 | 36.36 | 29.465 | - |
| C | QPSK | QPSK | 15 | 1.4 | 36.25 | 29.160 | - |
| D | QPSK | QPSK | 15 | 1.4 | 35.95 | 28.621 | - |
| Total | | | | | 42.23 | 35.153 | - |
| Total Power+10.5dBi | | | | | 52.73 | 45.653 | - |

TEST REPORT

| Antenna Port | NR Modulation | LTE Modulation | NR Carrier Bandwidth (MHz) | LTE Carrier Bandwidth (MHz) | Output power / Peak-to-Average Ratio (PAR) | | |
|---------------------|---------------|----------------|----------------------------|-----------------------------|--|-----------------|----------|
| | | | | | Channel position M | | |
| | | | | | Power (dBm) | Power (dBm/MHz) | PAR (dB) |
| A | QPSK | QPSK | 15 | 5 | 36.43 | 25.652 | - |
| B | QPSK | QPSK | 15 | 5 | 36.57 | 25.590 | - |
| C | QPSK | QPSK | 15 | 5 | 36.46 | 25.472 | - |
| D | QPSK | QPSK | 15 | 5 | 36.18 | 24.780 | - |
| Total | | | | | 42.43 | 31.408 | - |
| Total Power+10.5dBi | | | | | 52.93 | 41.908 | - |

| Antenna Port | NR Modulation | LTE Modulation | NR Carrier Bandwidth (MHz) | LTE Carrier Bandwidth (MHz) | Output power / Peak-to-Average Ratio (PAR) | | |
|---------------------|---------------|----------------|----------------------------|-----------------------------|--|-----------------|----------|
| | | | | | Channel position M | | |
| | | | | | Power (dBm) | Power (dBm/MHz) | PAR (dB) |
| A | QPSK | QPSK | 20 | 1.4 | 36.30 | 29.291 | - |
| B | QPSK | QPSK | 20 | 1.4 | 36.38 | 29.131 | - |
| C | QPSK | QPSK | 20 | 1.4 | 36.24 | 29.212 | - |
| D | QPSK | QPSK | 20 | 1.4 | 35.97 | 28.609 | - |
| Total | | | | | 42.25 | 35.089 | - |
| Total Power+10.5dBi | | | | | 52.75 | 45.589 | - |

| Antenna Port | NR Modulation | LTE Modulation | NR Carrier Bandwidth (MHz) | LTE Carrier Bandwidth (MHz) | Output power / Peak-to-Average Ratio (PAR) | | |
|---------------------|---------------|----------------|----------------------------|-----------------------------|--|-----------------|----------|
| | | | | | Channel position M | | |
| | | | | | Power (dBm) | Power (dBm/MHz) | PAR (dB) |
| A | QPSK | QPSK | 20 | 5 | 36.39 | 25.425 | - |
| B | QPSK | QPSK | 20 | 5 | 36.61 | 25.594 | - |
| C | QPSK | QPSK | 20 | 5 | 36.50 | 25.464 | - |
| D | QPSK | QPSK | 20 | 5 | 36.21 | 24.713 | - |
| Total | | | | | 42.45 | 31.333 | - |
| Total Power+10.5dBi | | | | | 52.95 | 41.833 | - |

W+L+NR-MIMO-MC-3

| Antenna Port | NR Modulation | LTE Modulation | NR Carrier Bandwidth (MHz) | LTE Carrier Bandwidth (MHz) | Output power / Peak-to-Average Ratio (PAR) | | |
|---------------------|---------------|----------------|----------------------------|-----------------------------|--|-----------------|----------|
| | | | | | Channel position M | | |
| | | | | | Power (dBm) | Power (dBm/MHz) | PAR (dB) |
| A | QPSK | QPSK | 5 | 1.4 | 36.14 | 27.735 | - |
| B | QPSK | QPSK | 5 | 1.4 | 36.27 | 27.877 | - |
| C | QPSK | QPSK | 5 | 1.4 | 36.11 | 27.762 | - |
| D | QPSK | QPSK | 5 | 1.4 | 35.91 | 27.243 | - |
| Total | | | | | 42.13 | 33.682 | - |
| Total Power+10.5dBi | | | | | 52.63 | 44.182 | - |

TEST REPORT

| Antenna Port | NR Modulation | LTE Modulation | NR Carrier Bandwidth (MHz) | LTE Carrier Bandwidth (MHz) | Output power / Peak-to-Average Ratio (PAR) | | |
|---------------------|---------------|----------------|----------------------------|-----------------------------|--|-----------------|----------|
| | | | | | Channel position M | | |
| | | | | | Power (dBm) | Power (dBm/MHz) | PAR (dB) |
| A | QPSK | QPSK | 5 | 3 | 36.19 | 24.701 | - |
| B | QPSK | QPSK | 5 | 3 | 36.33 | 24.837 | - |
| C | QPSK | QPSK | 5 | 3 | 36.21 | 24.673 | - |
| D | QPSK | QPSK | 5 | 3 | 35.96 | 24.206 | - |
| Total | | | | | 42.20 | 30.631 | - |
| Total Power+10.5dBi | | | | | 52.70 | 41.131 | - |

| Antenna Port | NR Modulation | LTE Modulation | NR Carrier Bandwidth (MHz) | LTE Carrier Bandwidth (MHz) | Output power / Peak-to-Average Ratio (PAR) | | |
|---------------------|---------------|----------------|----------------------------|-----------------------------|--|-----------------|----------|
| | | | | | Channel position M | | |
| | | | | | Power (dBm) | Power (dBm/MHz) | PAR (dB) |
| A | QPSK | QPSK | 5 | 5 | 36.33 | 23.510 | - |
| B | QPSK | QPSK | 5 | 5 | 36.52 | 23.700 | - |
| C | QPSK | QPSK | 5 | 5 | 36.38 | 23.700 | - |
| D | QPSK | QPSK | 5 | 5 | 36.11 | 23.044 | - |
| Total | | | | | 42.36 | 29.517 | - |
| Total Power+10.5dBi | | | | | 52.86 | 40.017 | - |

| Antenna Port | NR Modulation | LTE Modulation | NR Carrier Bandwidth (MHz) | LTE Carrier Bandwidth (MHz) | Output power / Peak-to-Average Ratio (PAR) | | |
|---------------------|---------------|----------------|----------------------------|-----------------------------|--|-----------------|----------|
| | | | | | Channel position M | | |
| | | | | | Power (dBm) | Power (dBm/MHz) | PAR (dB) |
| A | QPSK | QPSK | 10 | 1.4 | 36.16 | 27.812 | - |
| B | QPSK | QPSK | 10 | 1.4 | 36.30 | 27.688 | - |
| C | QPSK | QPSK | 10 | 1.4 | 36.17 | 27.479 | - |
| D | QPSK | QPSK | 10 | 1.4 | 35.93 | 27.245 | - |
| Total | | | | | 42.16 | 33.582 | - |
| Total Power+10.5dBi | | | | | 52.66 | 44.082 | - |

| Antenna Port | NR Modulation | LTE Modulation | NR Carrier Bandwidth (MHz) | LTE Carrier Bandwidth (MHz) | Output power / Peak-to-Average Ratio (PAR) | | |
|---------------------|---------------|----------------|----------------------------|-----------------------------|--|-----------------|----------|
| | | | | | Channel position M | | |
| | | | | | Power (dBm) | Power (dBm/MHz) | PAR (dB) |
| A | QPSK | QPSK | 10 | 5 | 36.38 | 23.686 | - |
| B | QPSK | QPSK | 10 | 5 | 36.54 | 23.768 | - |
| C | QPSK | QPSK | 10 | 5 | 36.39 | 23.709 | - |
| D | QPSK | QPSK | 10 | 5 | 36.17 | 23.110 | - |
| Total | | | | | 42.39 | 29.597 | - |
| Total Power+10.5dBi | | | | | 52.89 | 40.097 | - |

TEST REPORT

| Antenna Port | NR Modulation | LTE Modulation | NR Carrier Bandwidth (MHz) | LTE Carrier Bandwidth (MHz) | Output power / Peak-to-Average Ratio (PAR) | | |
|---------------------|---------------|----------------|----------------------------|-----------------------------|--|-----------------|----------|
| | | | | | Channel position M | | |
| | | | | | Power (dBm) | Power (dBm/MHz) | PAR (dB) |
| A | QPSK | QPSK | 15 | 1.4 | 36.21 | 27.691 | - |
| B | QPSK | QPSK | 15 | 1.4 | 36.31 | 27.834 | - |
| C | QPSK | QPSK | 15 | 1.4 | 36.18 | 27.479 | - |
| D | QPSK | QPSK | 15 | 1.4 | 35.95 | 27.104 | - |
| Total | | | | | 42.19 | 33.556 | - |
| Total Power+10.5dBi | | | | | 52.69 | 44.056 | - |

| Antenna Port | NR Modulation | LTE Modulation | NR Carrier Bandwidth (MHz) | LTE Carrier Bandwidth (MHz) | Output power / Peak-to-Average Ratio (PAR) | | |
|---------------------|---------------|----------------|----------------------------|-----------------------------|--|-----------------|----------|
| | | | | | Channel position M | | |
| | | | | | Power (dBm) | Power (dBm/MHz) | PAR (dB) |
| A | QPSK | QPSK | 15 | 5 | 36.40 | 23.545 | - |
| B | QPSK | QPSK | 15 | 5 | 36.56 | 23.749 | - |
| C | QPSK | QPSK | 15 | 5 | 36.40 | 23.538 | - |
| D | QPSK | QPSK | 15 | 5 | 36.16 | 23.110 | - |
| Total | | | | | 42.40 | 29.512 | - |
| Total Power+10.5dBi | | | | | 52.90 | 40.012 | - |

W+L+NR-MIMO-MC-4

| Antenna Port | NR Modulation | LTE Modulation | NR Carrier Bandwidth (MHz) | LTE Carrier Bandwidth (MHz) | Output power / Peak-to-Average Ratio (PAR) | | |
|---------------------|---------------|----------------|----------------------------|-----------------------------|--|-----------------|----------|
| | | | | | Channel position M | | |
| | | | | | Power (dBm) | Power (dBm/MHz) | PAR (dB) |
| A | QPSK | QPSK | 20 | 1.4 | 36.14 | 28.528 | - |
| B | QPSK | QPSK | 20 | 1.4 | 36.28 | 28.777 | - |
| C | QPSK | QPSK | 20 | 1.4 | 36.16 | 28.569 | - |
| D | QPSK | QPSK | 20 | 1.4 | 35.92 | 27.685 | - |
| Total | | | | | 42.15 | 34.430 | - |
| Total Power+10.5dBi | | | | | 52.65 | 44.930 | - |

| Antenna Port | NR Modulation | LTE Modulation | NR Carrier Bandwidth (MHz) | LTE Carrier Bandwidth (MHz) | Output power / Peak-to-Average Ratio (PAR) | | |
|---------------------|---------------|----------------|----------------------------|-----------------------------|--|-----------------|----------|
| | | | | | Channel position M | | |
| | | | | | Power (dBm) | Power (dBm/MHz) | PAR (dB) |
| A | QPSK | QPSK | 20 | 5 | 36.41 | 24.344 | - |
| B | QPSK | QPSK | 20 | 5 | 36.59 | 24.428 | - |
| C | QPSK | QPSK | 20 | 5 | 36.44 | 24.141 | - |
| D | QPSK | QPSK | 20 | 5 | 36.21 | 23.742 | - |
| Total | | | | | 42.44 | 30.192 | - |
| Total Power+10.5dBi | | | | | 52.94 | 40.692 | - |

TEST REPORT

NB+LTE+NR mode:

NB+L+NR-MIMO-MC-1

| Antenna Port | NR Modulation | LTE Modulation | NR Carrier Bandwidth (MHz) | LTE Carrier Bandwidth (MHz) | Output power / Peak-to-Average Ratio (PAR) | | |
|---------------------|---------------|----------------|----------------------------|-----------------------------|--|-----------------|----------|
| | | | | | Channel position M | | |
| | | | | | Power (dBm) | Power (dBm/MHz) | PAR (dB) |
| A | QPSK | QPSK | 5 | 1.4 | 35.19 | 31.478 | - |
| B | QPSK | QPSK | 5 | 1.4 | 35.37 | 31.849 | - |
| C | QPSK | QPSK | 5 | 1.4 | 35.26 | 31.529 | - |
| D | QPSK | QPSK | 5 | 1.4 | 35.34 | 31.228 | - |
| Total | | | | | 41.31 | 37.547 | - |
| Total Power+10.5dBi | | | | | 51.81 | 48.047 | - |

| Antenna Port | NR Modulation | LTE Modulation | NR Carrier Bandwidth (MHz) | LTE Carrier Bandwidth (MHz) | Output power / Peak-to-Average Ratio (PAR) | | |
|---------------------|---------------|----------------|----------------------------|-----------------------------|--|-----------------|----------|
| | | | | | Channel position M | | |
| | | | | | Power (dBm) | Power (dBm/MHz) | PAR (dB) |
| A | QPSK | QPSK | 5 | 3 | 35.29 | 30.723 | - |
| B | QPSK | QPSK | 5 | 3 | 35.53 | 31.303 | - |
| C | QPSK | QPSK | 5 | 3 | 35.44 | 30.653 | - |
| D | QPSK | QPSK | 5 | 3 | 35.43 | 31.040 | - |
| Total | | | | | 41.44 | 36.958 | - |
| Total Power+10.5dBi | | | | | 51.94 | 47.458 | - |

| Antenna Port | NR Modulation | LTE Modulation | NR Carrier Bandwidth (MHz) | LTE Carrier Bandwidth (MHz) | Output power / Peak-to-Average Ratio (PAR) | | |
|---------------------|---------------|----------------|----------------------------|-----------------------------|--|-----------------|----------|
| | | | | | Channel position M | | |
| | | | | | Power (dBm) | Power (dBm/MHz) | PAR (dB) |
| A | QPSK | QPSK | 10 | 1.4 | 35.28 | 31.537 | - |
| B | QPSK | QPSK | 10 | 1.4 | 35.42 | 31.492 | - |
| C | QPSK | QPSK | 10 | 1.4 | 35.26 | 31.407 | - |
| D | QPSK | QPSK | 10 | 1.4 | 35.37 | 31.189 | - |
| Total | | | | | 41.35 | 37.429 | - |
| Total Power+10.5dBi | | | | | 51.85 | 47.929 | - |

| Antenna Port | NR Modulation | LTE Modulation | NR Carrier Bandwidth (MHz) | LTE Carrier Bandwidth (MHz) | Output power / Peak-to-Average Ratio (PAR) | | |
|---------------------|---------------|----------------|----------------------------|-----------------------------|--|-----------------|----------|
| | | | | | Channel position M | | |
| | | | | | Power (dBm) | Power (dBm/MHz) | PAR (dB) |
| A | QPSK | QPSK | 10 | 5 | 35.57 | 30.310 | - |
| B | QPSK | QPSK | 10 | 5 | 35.70 | 30.844 | - |
| C | QPSK | QPSK | 10 | 5 | 35.59 | 30.594 | - |
| D | QPSK | QPSK | 10 | 5 | 35.64 | 30.644 | - |
| Total | | | | | 41.65 | 36.623 | - |
| Total Power+10.5dBi | | | | | 52.15 | 47.123 | - |

TEST REPORT

| Antenna Port | NR Modulation | LTE Modulation | NR Carrier Bandwidth (MHz) | LTE Carrier Bandwidth (MHz) | Output power / Peak-to-Average Ratio (PAR) | | |
|---------------------|---------------|----------------|----------------------------|-----------------------------|--|-----------------|----------|
| | | | | | Channel position M | | |
| | | | | | Power (dBm) | Power (dBm/MHz) | PAR (dB) |
| A | QPSK | QPSK | 15 | 1.4 | 35.16 | 31.585 | - |
| B | QPSK | QPSK | 15 | 1.4 | 35.45 | 31.679 | - |
| C | QPSK | QPSK | 15 | 1.4 | 35.28 | 31.427 | - |
| D | QPSK | QPSK | 15 | 1.4 | 35.40 | 31.516 | - |
| Total | | | | | 41.34 | 37.573 | - |
| Total Power+10.5dBi | | | | | 51.84 | 48.073 | - |

| Antenna Port | NR Modulation | LTE Modulation | NR Carrier Bandwidth (MHz) | LTE Carrier Bandwidth (MHz) | Output power / Peak-to-Average Ratio (PAR) | | |
|---------------------|---------------|----------------|----------------------------|-----------------------------|--|-----------------|----------|
| | | | | | Channel position M | | |
| | | | | | Power (dBm) | Power (dBm/MHz) | PAR (dB) |
| A | QPSK | QPSK | 15 | 5 | 35.56 | 30.486 | - |
| B | QPSK | QPSK | 15 | 5 | 35.80 | 30.787 | - |
| C | QPSK | QPSK | 15 | 5 | 35.68 | 30.606 | - |
| D | QPSK | QPSK | 15 | 5 | 35.71 | 30.313 | - |
| Total | | | | | 41.71 | 36.572 | - |
| Total Power+10.5dBi | | | | | 52.21 | 47.072 | - |

| Antenna Port | NR Modulation | LTE Modulation | NR Carrier Bandwidth (MHz) | LTE Carrier Bandwidth (MHz) | Output power / Peak-to-Average Ratio (PAR) | | |
|---------------------|---------------|----------------|----------------------------|-----------------------------|--|-----------------|----------|
| | | | | | Channel position M | | |
| | | | | | Power (dBm) | Power (dBm/MHz) | PAR (dB) |
| A | QPSK | QPSK | 20 | 1.4 | 35.25 | 31.320 | - |
| B | QPSK | QPSK | 20 | 1.4 | 35.51 | 31.491 | - |
| C | QPSK | QPSK | 20 | 1.4 | 35.39 | 31.620 | - |
| D | QPSK | QPSK | 20 | 1.4 | 35.43 | 31.135 | - |
| Total | | | | | 41.42 | 37.416 | - |
| Total Power+10.5dBi | | | | | 51.92 | 47.916 | - |

| Antenna Port | NR Modulation | LTE Modulation | NR Carrier Bandwidth (MHz) | LTE Carrier Bandwidth (MHz) | Output power / Peak-to-Average Ratio (PAR) | | |
|---------------------|---------------|----------------|----------------------------|-----------------------------|--|-----------------|----------|
| | | | | | Channel position M | | |
| | | | | | Power (dBm) | Power (dBm/MHz) | PAR (dB) |
| A | QPSK | QPSK | 20 | 5 | 35.67 | 30.647 | - |
| B | QPSK | QPSK | 20 | 5 | 35.78 | 30.825 | - |
| C | QPSK | QPSK | 20 | 5 | 35.76 | 30.284 | - |
| D | QPSK | QPSK | 20 | 5 | 35.77 | 30.682 | - |
| Total | | | | | 41.77 | 36.635 | - |
| Total Power+10.5dBi | | | | | 52.27 | 47.135 | - |

TEST REPORT

NB+L+NR-MIMO-MC-2

| Antenna Port | NR Modulation | LTE Modulation | NR Carrier Bandwidth (MHz) | LTE Carrier Bandwidth (MHz) | Output power / Peak-to-Average Ratio (PAR) | | |
|---------------------|---------------|----------------|----------------------------|-----------------------------|--|-----------------|----------|
| | | | | | Channel position M | | |
| | | | | | Power (dBm) | Power (dBm/MHz) | PAR (dB) |
| A | QPSK | QPSK | 5 | 1.4 | 35.21 | 30.272 | - |
| B | QPSK | QPSK | 5 | 1.4 | 35.55 | 30.424 | - |
| C | QPSK | QPSK | 5 | 1.4 | 35.35 | 30.354 | - |
| D | QPSK | QPSK | 5 | 1.4 | 35.44 | 30.194 | - |
| Total | | | | | 41.41 | 36.332 | - |
| Total Power+10.5dBi | | | | | 51.91 | 46.832 | - |

| Antenna Port | NR Modulation | LTE Modulation | NR Carrier Bandwidth (MHz) | LTE Carrier Bandwidth (MHz) | Output power / Peak-to-Average Ratio (PAR) | | |
|---------------------|---------------|----------------|----------------------------|-----------------------------|--|-----------------|----------|
| | | | | | Channel position M | | |
| | | | | | Power (dBm) | Power (dBm/MHz) | PAR (dB) |
| A | QPSK | QPSK | 5 | 3 | 35.35 | 29.588 | - |
| B | QPSK | QPSK | 5 | 3 | 35.56 | 29.822 | - |
| C | QPSK | QPSK | 5 | 3 | 35.45 | 29.762 | - |
| D | QPSK | QPSK | 5 | 3 | 35.44 | 29.675 | - |
| Total | | | | | 41.47 | 35.733 | - |
| Total Power+10.5dBi | | | | | 51.97 | 46.233 | - |

| Antenna Port | NR Modulation | LTE Modulation | NR Carrier Bandwidth (MHz) | LTE Carrier Bandwidth (MHz) | Output power / Peak-to-Average Ratio (PAR) | | |
|---------------------|---------------|----------------|----------------------------|-----------------------------|--|-----------------|----------|
| | | | | | Channel position M | | |
| | | | | | Power (dBm) | Power (dBm/MHz) | PAR (dB) |
| A | QPSK | QPSK | 10 | 1.4 | 35.35 | 30.057 | - |
| B | QPSK | QPSK | 10 | 1.4 | 35.57 | 30.641 | - |
| C | QPSK | QPSK | 10 | 1.4 | 35.44 | 30.454 | - |
| D | QPSK | QPSK | 10 | 1.4 | 35.43 | 29.816 | - |
| Total | | | | | 41.47 | 36.275 | - |
| Total Power+10.5dBi | | | | | 51.97 | 46.775 | - |

| Antenna Port | NR Modulation | LTE Modulation | NR Carrier Bandwidth (MHz) | LTE Carrier Bandwidth (MHz) | Output power / Peak-to-Average Ratio (PAR) | | |
|---------------------|---------------|----------------|----------------------------|-----------------------------|--|-----------------|----------|
| | | | | | Channel position M | | |
| | | | | | Power (dBm) | Power (dBm/MHz) | PAR (dB) |
| A | QPSK | QPSK | 10 | 5 | 35.80 | 29.467 | - |
| B | QPSK | QPSK | 10 | 5 | 36.03 | 29.531 | - |
| C | QPSK | QPSK | 10 | 5 | 35.97 | 29.606 | - |
| D | QPSK | QPSK | 10 | 5 | 35.90 | 29.445 | - |
| Total | | | | | 41.95 | 35.533 | - |
| Total Power+10.5dBi | | | | | 52.45 | 46.033 | - |