

TEST REPORT

NR+LTE

Configuration	Carrier	NR Carrier BW(MHz)	Carrier Frequency Configuration			LTE Carrier BW(MHz)
			Bottom	Middle	Top	
NR+LTE-MC-1	1NR+1LTE	5	-	(NR)619.5+(L)649.5	-	5
NR+LTE-MC-2	2NR+1LTE	5	-	(NR)619.5+624.5+(L)649.5	-	5
		15	-	(NR)624.5+639.5+(L)649.5	-	5
NR+LTE-MC-3	1NR+2LTE	5	-	(NR)619.5+(L)644.5+649.5	-	5
		5	-	(NR)619.5+(L)629.5+644.5	-	15
		20	-	(NR)627+(L)644.5+649.5	-	5
NR+LTE-MC-4	3NR+3LTE	5	-	(NR)619.5++624.5+629.5 +(L)639.5+644.5+649.5	-	5

NR+LTE with NB-GB

Configuration	Carrier	NR Carrier BW(MHz)	Carrier Frequency Configuration			GB Carrier BW(MHz)
			Bottom	Middle	Top	
NR+GB-MC-1	1NR+1GB	5	-	(NR)619.5+(GB)647.0	-	10
		15	-	(NR)624.5+(GB)642.0	-	20
		20	-	(NR)627.0+(GB)644.5	-	15
NR+GB-MC-2	2NR+1GB	5	-	(NR)619.5+624.5+(GB)647.0	-	10
		5	-	(NR)619.5+624.5+(GB)642.0	-	20
		10	-	(NR)622.0+632.0+(GB)644.5	-	15
NR+GB-MC-3	1NR+1LTE+GB	5	-	(NR)619.5+(L)637.0 +(GB)647.0	-	10
		5	-	(NR)619.5+(L)632.0 +(GB)642.0	-	20
		10	-	(NR)622+(L)637.0+(GB)647.0	-	10
NR+GB-MC-4	3NR+2LTE+1GB	5	-	(NR)619.5++624.5 +629.5+(L)634.5 +639.5+(GB)647.0	-	10

NR/ESS with NB-IoT(IB)

Configuration	Carrier	ESS Carrier BW(MHz)	Carrier Frequency Configuration		
			Bottom	Middle	Top
NR ESS IB-1C	1	10	622.0	634.5	647.0
		15	624.5	634.5	644.5
		20	627.0	634.5	642.0

TEST REPORT

LTE+SA

Configuration	Carrier	LTE Carrier BW(MHz)	Carrier Frequency Configuration			SA Carrier BW(MHz)
			Bottom	Middle	Top	
LTE+SA-MC-1	1LTE +1SA	5	(SA)617.2 +(L)619.8	-	(L)649.2 +(SA)651.8	0.2
		5	-	(L)619.5+(SA)651.8	-	0.2
LTE+SA-MC-2	1LTE +2SA	5	-	(SA)617.2+636.8 +(L)649.5	-	0.2

NR

Configuration	Carrier	NR Carrier BW(MHz)	Carrier Frequency Configuration		
			Bottom	Middle	Top
NR-1C-UE	1	5	619.5	-	649.5
		10	622.0	-	647.0
		15	624.5	-	644.5
		20	627.0	-	642.0
NR-2C-UE	2	5	619.5+624.5	-	644.5+649.5
		10	622.0+632.0	-	637.0+647.0
		15	624.5+639.5	-	629.5+644.5
NR-6C-UE	6	5	619.5+624.5+629.5 +634.5+639.5+644.5	-	624.5+629.5+634.5 +639.5+644.5+649.5

LTE

Configuration	Carrier	LTE Carrier BW(MHz)	Carrier Frequency Configuration		
			Bottom	Middle	Top
LTE-1C-UE	1	5	619.5	-	649.5
		10	622.0	-	647.0
		15	624.5	-	644.5
		20	627.0	-	642.0
LTE-2C-UE	2	5	619.5+624.5	-	644.5+649.5
		10	622.0+632.0	-	637.0+647.0
		15	624.5+639.5	-	629.5+644.5
LTE-6C-UE	6	5	619.5+624.5+629.5 +634.5+639.5+644.5	-	614.5+629.5+634.5 +639.5+644.5+649.5

NB-IoT SA

Configuration	Carrier	SA Carrier BW(MHz)	Carrier Frequency Configuration		
			Bottom	Middle	Top
SA-1C-UE	1	0.2	617.2	-	651.8
SA-2C-UE	2	0.2	617.2+618.8	-	650.2+651.8

TEST REPORT

NR+LTE

Configuration	Carrier	NR Carrier BW(MHz)	Carrier Frequency Configuration			LTE Carrier BW(MHz)
			Bottom	Middle	Top	
NR+LTE-MC-1-UE	1NR+1LTE	5	(NR)619.5+(L)624.5	-	(NR)644.5+(L)649.5	5
NR+LTE-MC-2-UE	2NR+1LTE	5	-	(NR)619.5+634.5+(L)649.5	-	5
NR+LTE-MC-3-UE	3NR+3LTE	5	(NR)619.5+624.5+629.5+(L)634.5+639.5+644.5	-	(NR)624.5+629.5+634.5+(L)639.5+644.5+649.5	5

NR+LTE with NB-GB

Configuration	Carrier	NR Carrier BW(MHz)	Carrier Frequency Configuration			GB Carrier BW(MHz)
			Bottom	Middle	Top	
NR+GB-MC-1-UE	1NR+1GB	5	(NR)619.5+(GB)627.0	-	(NR)639.5+(GB)647.0	10
		15	-	(NR)624.5+(GB)642.0	-	20
		20	-	(NR)627.0+(GB)644.5	-	15
NR+GB-MC-2-UE	3NR+2LTE+1GB	5	-	(NR)619.5++624.5+629.5+(L)634.5+639.5+(GB)647.0	-	10

NR/ESS with NB-IoT(IB)

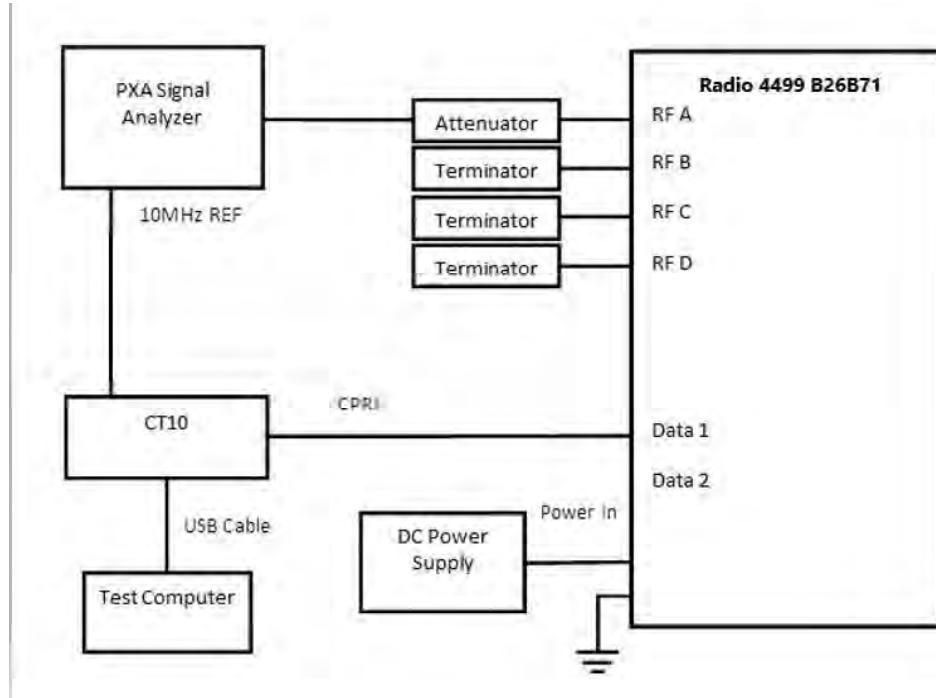
Configuration	Carrier	NR Carrier BW(MHz)	Carrier Frequency Configuration		
			Bottom	Middle	Top
NR ESS IB-1C-UE	1	10	622.0	-	647.0
		15	624.5	-	644.5
		20	627.0	-	642.0

LTE+SA

Configuration	Carrier	LTE Carrier BW(MHz)	Carrier Frequency Configuration			SA Carrier BW(MHz)
			Bottom	Middle	Top	
LTE+SA-MC-1-UE	1LTE+1SA	5	(SA)617.2+(LTE)619.8	-	(LTE)613.2+(SA)651.8	0.2
		5	-	(LTE)619.5+(SA)651.8	-	0.2
LTE+SA-MC-2-UE	1LTE+2SA	5	-	(SA)617.2+(SA)636.8+(LTE)649.5	-	0.2

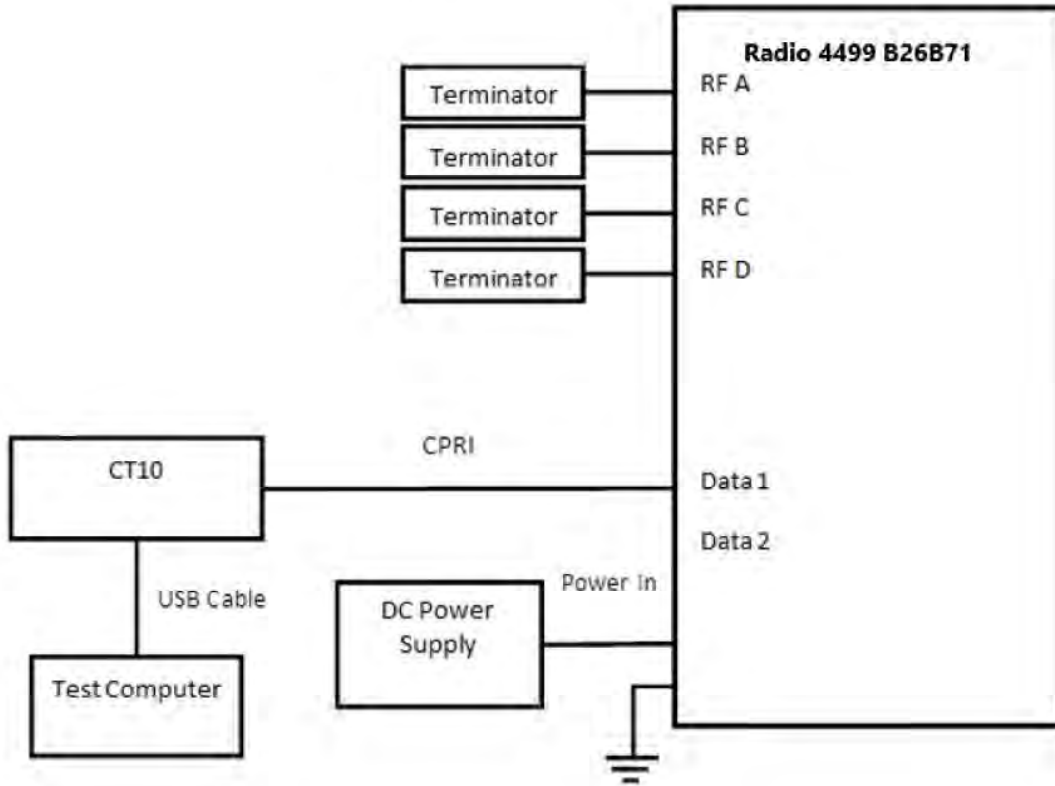
2.4 Test Setup

Conducted Measurement:



No.	Auxiliary Equipment	Product Number / Model Type	Version
1	Test computer	DELL Optiplex 3050	-
2	CT10	LPC102487/1	R1C
4	DC Power Supply	N8737A	-
5	Attenuator	AT6-460-MF-IM-300	-
6	Attenuator	WDTS300-30Db-6G-NFF	-
7	Terminator	WTF100-10	-

Radiated Measurement:



No.	Auxiliary Equipment	Product Number / Model Type	Version
1	Test computer	DELL Optiplex 3050	-
2	CT10	LPC102487/1	R1C
4	DC Power Supply	N8737A	-
5	Attenuator	AT6-460-MF-IM-300	-
6	Attenuator	WDTS300-30Db-6G-NFF	-
7	Terminator	WTF100-10	-

2.5 Test environment condition:

Test items	Temperature	Humidity
Max Output Power and Peak to Average Power Ratio and EIRP	21°C	54% RH
Occupied Bandwidth		
Unwanted Emissions at Band Edge		
Conducted Unwanted Emission		
Radiated Unwanted Emissions	22°C	56% RH
Frequency Stability	Please refer to clause 8	

2.6 Instrument list

Intertek Testing Services Shanghai					
Used	Equipment	Manufacturer	Type	S/N	Due date
<input checked="" type="checkbox"/>	PXA Signal Analyzer	Keysight	N9030A	MY54490394	2023.4.7
<input checked="" type="checkbox"/>	Signal Generator	R&S	SMU200A	103457	2023.8.14
<input checked="" type="checkbox"/>	Multi-meter	Fluke	117	93990470	2023.1.9
<input checked="" type="checkbox"/>	Climatic Chamber	赛宝	CEEC-WR16H-50W	15-095	2023.9.20
<input checked="" type="checkbox"/>	Humiture meter	托普	TPJ-20	TP161108085	2023.2.21
<input checked="" type="checkbox"/>	Power sensor	R&S	NRP-Z11	120458	2023.8.9
<input checked="" type="checkbox"/>	Power sensor	R&S	NRP-Z21	104407	2023.8.9
<input checked="" type="checkbox"/>	Power meter	R&S	NRX	101173_BAMS-1001958119	2023.8.9

BEIJING BOOMWAVE TEST SERVICE CO. LTD.					
Used	Equipment	Manufacturer	Type	S/N	Due date
<input checked="" type="checkbox"/>	EMI TEST RECERVER	R&S	ESR26	101320	2023/01/11
<input checked="" type="checkbox"/>	Hybrid antenna	SCHWARZBECK	VULB9163	01266	2023/07/03
<input checked="" type="checkbox"/>	Double-Ridged Waveguide Horn Antenna	R&S	HF907	100096	2023/05/27
<input checked="" type="checkbox"/>	Pre-amplifier	Qualwave	QLAS-1000-18000-45-30	20255003	2023/01/11
<input checked="" type="checkbox"/>	Digital display temperature and humidity recorder	DICKSON	TM320	015079	2023/05/09
<input checked="" type="checkbox"/>	SAC10	TDK	SAC10	SAC10	2023/07/11

2.7 Measurement uncertainty

The measurement uncertainty represents an expanded uncertainty expressed at approximately the 95% confidence level using a coverage factor of k=2.

Test item	Measurement uncertainty
Maximum output power	0.73dB
Occupied Bandwidth	0.88%
Unwanted Emissions at Band Edge	3.03dB
Conducted Unwanted Emission	3.03dB
Radiated Unwanted Emissions below 1GHz	4.90dB
Radiated Unwanted Emissions above 1GHz	5.02dB
Frequency stability	0.77 x 10 ⁻⁷

TEST REPORT

3 Maximum Output Power and Peak to Average Power Ratio and EIRP

Test result: Pass

3.1 Limit

FCC CFR 47 Part 27:

(1) Fixed and base stations transmitting a signal with an emission bandwidth of 1 MHz or less must not exceed an effective radiated power (ERP) of 1000 watts and an antenna height of 305 m height above average terrain (HAAT), except that antenna heights greater than 305 m HAAT are permitted if power levels are reduced below 1000 watts ERP in accordance with Table 1 of this section;

Antenna height (AAT) in meters (feet)	Effective radiated power (ERP) (watts)
Above 1372 (4500)	65
Above 1220 (4000) To 1372 (4500)	70
Above 1067 (3500) To 1220 (4000)	75
Above 915 (3000) To 1067 (3500)	100
Above 763 (2500) To 915 (3000)	140
Above 610 (2000) To 763 (2500)	200
Above 458 (1500) To 610 (2000)	350
Above 305 (1000) To 458 (1500)	600
Up to 305 (1000)	1000

(2) Fixed and base stations transmitting a signal with an emission bandwidth greater than 1 MHz must not exceed an ERP of 1000 watts/MHz and an antenna height of 305 m HAAT, except that antenna heights greater than 305 m HAAT are permitted if power levels are reduced below 1000 watts/MHz ERP in accordance with Table 3 of this section;

Antenna height (AAT) in meters (feet)	Effective radiated power (ERP) per MHz (watts/MHz)
Above 1220 (4000) To 1372 (4500)	70
Above 1067 (3500) To 1220 (4000)	75
Above 915 (3000) To 1067 (3500)	100
Above 763 (2500) To 915 (3000)	140
Above 610 (2000) To 763 (2500)	200
Above 458 (1500) To 610 (2000)	350
Above 305 (1000) To 458 (1500)	600
Up to 305 (1000)	1000

RSS-130 Issue 2:

For fixed and base stations transmitting in accordance with section 4, the maximum permissible equivalent isotropically radiated power (e.i.r.p.) is 1640 watts and 1640 watts/MHz for a channel bandwidth less than or equal to 1 MHz and greater than 1 MHz, respectively. These e.i.r.p. limits apply for stations with an antenna height above average terrain (HAAT) up to 305 metres.

Peak to Average Ratio: ≤13 dB

TEST REPORT**3.2 Measurement Procedure**

The EUT was configured to transmit on maximum power and proper modulation. The transmitter power shall be measured in terms of a root-mean-square (RMS) average value. In case of the EUT was configured to MIMO mode, since the EUT transmits on all antennas simultaneously in the same frequency range, using the Measure-and-Sum approach, the output power at all antennas were tested, and the total output power were then summed mathematically in linear power units according to FCC KDB 662911 D01.

A peak to average ratio measurement is performed at the conducted ports of the EUT for single carrier for single RAT mode. The spectrum analyzers Complementary Cumulative Distribution Function (CCDF) was used and 0.1% probability value recorded.

3.3 Measurement result

NR-1C

Antenna Port	NR Modulation	NR Carrier Bandwidth (MHz)	Output power / Peak-to-Average Ratio (PAR)								
			Channel position B			Channel position M			Channel position T		
			Power (dBm)	Power (dBm /MHz)	PAR (dB)	Power (dBm)	Power (dBm /MHz)	PAR (dB)	Power (dBm)	Power (dBm /MHz)	PAR (dB)
A	QPSK	5	46.03	39.84	7.49	46.07	39.56	7.43	45.72	39.55	7.54
B	QPSK	5	45.85	39.62	7.39	45.58	39.56	7.37	45.39	39.21	7.41
C	QPSK	5	45.86	39.63	7.47	45.91	39.66	7.43	45.43	39.25	7.44
D	QPSK	5	45.82	39.62	7.48	45.87	39.66	7.41	45.53	39.37	7.45
Total			51.91	45.70	-	51.88	45.63	-	51.54	45.37	-
Limit			-	62.15	13.00	-	62.15	13.00	-	62.15	13.00
Max antenna gain			-	16.45	-	-	16.52	-	-	16.78	-

Antenna Port	NR Modulation	NR Carrier Bandwidth (MHz)	Output power / Peak-to-Average Ratio (PAR)								
			Channel position B			Channel position M			Channel position T		
			Power (dBm)	Power (dBm /MHz)	PAR (dB)	Power (dBm)	Power (dBm /MHz)	PAR (dB)	Power (dBm)	Power (dBm /MHz)	PAR (dB)
A	QPSK	10	46.15	36.71	7.44	46.05	36.66	7.39	45.76	36.41	7.54
B	QPSK	10	45.94	36.52	7.39	45.89	36.50	7.37	45.59	36.27	7.60
C	QPSK	10	46.20	36.59	7.35	45.94	36.51	7.34	45.61	36.28	7.48
D	QPSK	10	45.88	36.53	7.51	45.95	36.54	7.42	45.66	36.35	7.50
Total			52.07	42.61	-	51.98	42.57	-	51.68	42.35	-
Limit			-	62.15	13.00	-	62.15	13.00	-	62.15	13.00
Max antenna gain			-	19.54	-	-	19.58	-	-	19.80	-

Antenna Port	NR Modulation	NR Carrier Bandwidth (MHz)	Output power / Peak-to-Average Ratio (PAR)								
			Channel position B			Channel position M			Channel position T		
			Power (dBm)	Power (dBm /MHz)	PAR (dB)	Power (dBm)	Power (dBm /MHz)	PAR (dB)	Power (dBm)	Power (dBm /MHz)	PAR (dB)
A	QPSK	15	46.10	34.88	7.46	45.98	34.82	7.44	45.66	34.57	7.68
B	QPSK	15	45.93	34.79	7.45	45.86	34.69	7.40	45.59	34.54	7.55
C	QPSK	15	46.02	34.81	7.46	45.94	34.81	7.43	45.72	34.64	7.53
D	QPSK	15	45.97	34.75	7.46	46.00	34.80	7.48	45.76	34.61	7.70
Total			52.03	40.83	-	51.97	40.80	-	51.70	40.61	-
Limit			-	62.15	13.00	-	62.15	13.00	-	62.15	13.00
Max antenna gain			-	21.32	-	-	21.35	-	-	21.54	-

TEST REPORT

Antenna Port	NR Modulation	NR Carrier Bandwidth (MHz)	Output power / Peak-to-Average Ratio (PAR)								
			Channel position B			Channel position M			Channel position T		
			Power (dBm)	Power (dBm /MHz)	PAR (dB)	Power (dBm)	Power (dBm /MHz)	PAR (dB)	Power (dBm)	Power (dBm /MHz)	PAR (dB)
A	QPSK	20	46.09	33.61	75.00	45.99	33.55	7.53	45.83	33.53	7.96
B	QPSK	20	45.80	33.30	7.42	45.82	33.41	7.42	45.68	33.32	7.73
C	QPSK	20	45.58	33.33	7.47	45.89	33.34	7.46	45.76	33.41	7.77
D	QPSK	20	45.97	33.46	7.45	45.98	33.59	7.44	45.84	33.51	7.75
Total			51.88	39.45	-	51.94	39.49	-	51.80	39.46	-
Limit			-	62.15	13.00	-	62.15	13.00	-	62.15	13.00
Max antenna gain			-	22.70	-	-	22.66	-	-	22.69	-

NR-2C

Antenna Port	NR Modulation	NR Carrier Bandwidth (MHz)	Output power / Peak-to-Average Ratio (PAR)								
			Channel position B			Channel position M			Channel position T		
			Power (dBm)	Power (dBm /MHz)	PAR (dB)	Power (dBm)	Power (dBm /MHz)	PAR (dB)	Power (dBm)	Power (dBm /MHz)	PAR (dB)
A	QPSK	5	-	-	-	45.60	36.59	-	-	-	-
B	QPSK	5	-	-	-	45.40	36.33	-	-	-	-
C	QPSK	5	-	-	-	45.37	36.36	-	-	-	-
D	QPSK	5	-	-	-	45.47	36.41	-	-	-	-
Total			-	-	-	51.48	42.44	-	-	-	-
Limit			-	-	-	-	62.15	-	-	-	-
Max antenna gain			-	-	-	-	19.71	-	-	-	-

Antenna Port	NR Modulation	NR Carrier Bandwidth (MHz)	Output power / Peak-to-Average Ratio (PAR)								
			Channel position B			Channel position M			Channel position T		
			Power (dBm)	Power (dBm /MHz)	PAR (dB)	Power (dBm)	Power (dBm /MHz)	PAR (dB)	Power (dBm)	Power (dBm /MHz)	PAR (dB)
A	QPSK	10	-	-	-	45.93	33.67	-	-	-	-
B	QPSK	10	-	-	-	45.70	33.43	-	-	-	-
C	QPSK	10	-	-	-	45.73	33.48	-	-	-	-
D	QPSK	10	-	-	-	45.80	33.47	-	-	-	-
Total			-	-	-	51.81	39.53	-	-	-	-
Limit			-	-	-	-	62.15	-	-	-	-
Max antenna gain			-	-	-	-	22.62	-	-	-	-

Antenna Port	NR Modulation	NR Carrier Bandwidth (MHz)	Output power / Peak-to-Average Ratio (PAR)								
			Channel position B			Channel position M			Channel position T		
			Power (dBm)	Power (dBm /MHz)	PAR (dB)	Power (dBm)	Power (dBm /MHz)	PAR (dB)	Power (dBm)	Power (dBm /MHz)	PAR (dB)
A	QPSK	15	-	-	-	45.93	31.87	-	-	-	-
B	QPSK	15	-	-	-	45.72	31.61	-	-	-	-
C	QPSK	15	-	-	-	45.73	31.62	-	-	-	-
D	QPSK	15	-	-	-	45.82	31.64	-	-	-	-
Total			-	-	-	51.82	37.71	-	-	-	-
Limit			-	-	-	-	62.15	-	-	-	-
Max antenna gain			-	-	-	-	24.44	-	-	-	-

NR-6C

Antenna Port	NR Modulation	NR Carrier Bandwidth (MHz)	Output power / Peak-to-Average Ratio (PAR)								
			Channel position B			Channel position M			Channel position T		
			Power (dBm)	Power (dBm /MHz)	PAR (dB)	Power (dBm)	Power (dBm /MHz)	PAR (dB)	Power (dBm)	Power (dBm /MHz)	PAR (dB)
A	QPSK	5	-	-	-	45.95	32.13	-	-	-	-
B	QPSK	5	-	-	-	45.80	31.91	-	-	-	-
C	QPSK	5	-	-	-	45.79	31.89	-	-	-	-
D	QPSK	5	-	-	-	45.90	31.94	-	-	-	-
Total			-	-	-	51.88	37.99	-	-	-	-
Limit			-	-	-	-	62.15	-	-	-	-
Max antenna gain			-	-	-	-	24.16	-	-	-	-

LTE-1C

Antenna Port	LTE Modulation	LTE Carrier Bandwidth (MHz)	Output power / Peak-to-Average Ratio (PAR)								
			Channel position B			Channel position M			Channel position T		
			Power (dBm)	Power (dBm /MHz)	PAR (dB)	Power (dBm)	Power (dBm /MHz)	PAR (dB)	Power (dBm)	Power (dBm /MHz)	PAR (dB)
A	QPSK	5	46.13	39.92	7.37	46.18	39.97	7.32	45.78	39.59	7.33
B	QPSK	5	45.97	39.75	7.30	45.98	39.74	7.28	45.48	39.30	7.35
C	QPSK	5	45.99	39.80	7.38	46.03	39.82	7.33	45.55	39.41	7.41
D	QPSK	5	46.10	39.80	7.44	46.06	39.86	7.36	45.67	39.51	7.44
Total			52.07	45.84	-	52.08	45.87	-	51.64	45.47	-
Limit			-	62.15	13.00	-	62.15	13.00	-	62.15	13.00
Max antenna gain			-	16.31	-	-	16.28	-	-	16.68	-

Antenna Port	LTE Modulation	LTE Carrier Bandwidth (MHz)	Output power / Peak-to-Average Ratio (PAR)								
			Channel position B			Channel position M			Channel position T		
			Power (dBm)	Power (dBm /MHz)	PAR (dB)	Power (dBm)	Power (dBm /MHz)	PAR (dB)	Power (dBm)	Power (dBm /MHz)	PAR (dB)
A	QPSK	10	46.20	37.00	7.34	46.19	37.04	7.31	45.80	36.72	7.57
B	QPSK	10	45.99	36.79	7.31	45.96	36.80	7.31	45.61	36.50	7.42
C	QPSK	10	46.04	36.86	7.34	46.05	36.85	7.29	45.69	36.58	7.44
D	QPSK	10	46.03	36.82	7.40	46.08	36.87	7.34	45.79	36.65	7.56
Total			52.09	42.89	-	52.09	42.91	-	51.74	42.63	-
Limit			-	62.15	13.00	-	62.15	13.00	-	62.15	13.00
Max antenna gain			-	19.26	-	-	19.24	-	-	19.52	-

Antenna Port	LTE Modulation	LTE Carrier Bandwidth (MHz)	Output power / Peak-to-Average Ratio (PAR)								
			Channel position B			Channel position M			Channel position T		
			Power (dBm)	Power (dBm /MHz)	PAR (dB)	Power (dBm)	Power (dBm /MHz)	PAR (dB)	Power (dBm)	Power (dBm /MHz)	PAR (dB)
A	QPSK	15	46.38	35.4	7.71	46.26	35.31	7.88	45.95	35.11	7.86
B	QPSK	15	46.13	35.14	7.79	46.08	35.12	7.64	45.83	35.00	7.73
C	QPSK	15	46.15	35.17	7.67	46.11	35.20	7.76	45.83	35.00	7.88
D	QPSK	15	46.13	35.13	7.71	46.10	35.17	7.80	45.89	35.03	7.64
Total			52.22	41.23	-	52.16	41.22	-	51.90	41.06	-
Limit			-	62.15	13.00	-	62.15	13.00	-	62.15	13.00
Max antenna gain			-	20.92	-	-	20.93	-	-	21.09	-

Antenna Port	LTE Modulation	LTE Carrier Bandwidth (MHz)	Output power / Peak-to-Average Ratio (PAR)								
			Channel position B			Channel position M			Channel position T		
			Power (dBm)	Power (dBm /MHz)	PAR (dB)	Power (dBm)	Power (dBm /MHz)	PAR (dB)	Power (dBm)	Power (dBm /MHz)	PAR (dB)
A	QPSK	20	46.28	33.79	8.12	46.16	33.80	8.20	46.02	33.95	8.22
B	QPSK	20	45.98	33.78	8.20	46.02	33.88	7.91	45.85	33.77	8.33
C	QPSK	20	46.03	33.79	8.21	46.05	33.90	8.30	45.88	33.86	8.30
D	QPSK	20	46.02	33.86	7.82	46.04	33.86	7.99	45.89	33.84	7.93
Total			52.10	39.83	-	52.09	39.88	-	51.93	39.88	-
Limit			-	62.15	13.00	-	62.15	13.00	-	62.15	13.00
Max antenna gain			-	22.32	-	-	22.27	-	-	22.27	-

LTE-2C

Antenna Port	LTE Modulation	LTE Carrier Bandwidth (MHz)	Output power / Peak-to-Average Ratio (PAR)								
			Channel position B			Channel position M			Channel position T		
			Power (dBm)	Power (dBm /MHz)	PAR (dB)	Power (dBm)	Power (dBm /MHz)	PAR (dB)	Power (dBm)	Power (dBm /MHz)	PAR (dB)
A	QPSK	5	-	-	-	45.76	38.07	-	-	-	-
B	QPSK	5	-	-	-	45.51	37.79	-	-	-	-
C	QPSK	5	-	-	-	45.52	37.83	-	-	-	-
D	QPSK	5	-	-	-	45.59	37.84	-	-	-	-
Total			-	-	-	51.62	43.90	-	-	-	-
Limit			-	-	-	-	62.15	-	-	-	-
Max antenna gain			-	-	-	-	18.25	-	-	-	-

Antenna Port	LTE Modulation	LTE Carrier Bandwidth (MHz)	Output power / Peak-to-Average Ratio (PAR)								
			Channel position B			Channel position M			Channel position T		
			Power (dBm)	Power (dBm /MHz)	PAR (dB)	Power (dBm)	Power (dBm /MHz)	PAR (dB)	Power (dBm)	Power (dBm /MHz)	PAR (dB)
A	QPSK	10	-	-	-	45.34	34.08	-	-	-	-
B	QPSK	10	-	-	-	45.26	33.87	-	-	-	-
C	QPSK	10	-	-	-	45.24	33.85	-	-	-	-
D	QPSK	10	-	-	-	45.29	33.93	-	-	-	-
Total			-	-	-	51.30	39.95	-	-	-	-
Limit			-	-	-	-	62.15	-	-	-	-
Max antenna gain			-	-	-	-	22.20	-	-	-	-

Antenna Port	LTE Modulation	LTE Carrier Bandwidth (MHz)	Output power / Peak-to-Average Ratio (PAR)								
			Channel position B			Channel position M			Channel position T		
			Power (dBm)	Power (dBm /MHz)	PAR (dB)	Power (dBm)	Power (dBm /MHz)	PAR (dB)	Power (dBm)	Power (dBm /MHz)	PAR (dB)
A	QPSK	15	-	-	-	45.34	32.31	-	-	-	-
B	QPSK	15	-	-	-	45.23	33.37	-	-	-	-
C	QPSK	15	-	-	-	45.20	33.33	-	-	-	-
D	QPSK	15	-	-	-	45.24	33.38	-	-	-	-
Total			-	-	-	51.27	39.14	-	-	-	-
Limit			-	-	-	-	62.15	-	-	-	-
Max antenna gain			-	-	-	-	23.01	-	-	-	-

TEST REPORT

LTE-6C

Antenna Port	LTE Modulation	LTE Carrier Bandwidth (MHz)	Output power / Peak-to-Average Ratio (PAR)								
			Channel position B			Channel position M			Channel position T		
			Power (dBm)	Power (dBm /MHz)	PAR (dB)	Power (dBm)	Power (dBm /MHz)	PAR (dB)	Power (dBm)	Power (dBm /MHz)	PAR (dB)
A	QPSK	5	-	-	-	46.10	32.27	-	-	-	-
B	QPSK	5	-	-	-	45.92	32.03	-	-	-	-
C	QPSK	5	-	-	-	45.95	32.10	-	-	-	-
D	QPSK	5	-	-	-	46.02	32.10	-	-	-	-
Total			-	-	-	52.02	38.15	-	-	-	-
Limit			-	-	-	-	62.15	-	-	-	-
Max antenna gain			-	-	-	-	24.00	-	-	-	-

SA-1C

Antenna Port	Modulation	Carrier Bandwidth (MHz)	Output power / Peak-to-Average Ratio (PAR)								
			Channel position B			Channel position M			Channel position T		
			Power (dBm)	Power (dBm /MHz)	PAR (dB)	Power (dBm)	Power (dBm /MHz)	PAR (dB)	Power (dBm)	Power (dBm /MHz)	PAR (dB)
A	QPSK	0.2	42.92	43.03	7.11	42.31	43.02	7.08	41.80	42.47	6.95
B	QPSK	0.2	42.76	42.93	7.12	42.20	42.80	7.07	41.87	42.46	6.95
C	QPSK	0.2	42.76	42.88	7.12	42.34	42.95	7.08	41.88	42.52	6.95
D	QPSK	0.2	42.67	42.78	7.11	42.16	42.16	7.07	42.04	42.58	6.96
Total			48.80	48.93	-	48.27	48.77	-	47.92	48.53	-
Limit			62.15	-	13.00	62.15	-	13.00	62.15	-	13.00
Max antenna gain			13.35	-	-	13.88	-	-	14.23	-	-

SA-2C

Antenna Port	Modulation	Carrier Bandwidth (MHz)	Output power / Peak-to-Average Ratio (PAR)								
			Channel position B			Channel position M			Channel position T		
			Power (dBm)	Power (dBm /MHz)	PAR (dB)	Power (dBm)	Power (dBm /MHz)	PAR (dB)	Power (dBm)	Power (dBm /MHz)	PAR (dB)
A	QPSK	0.2	-	-	-	43.30	41.01	-	-	-	-
B	QPSK	0.2	-	-	-	42.61	40.48	-	-	-	-
C	QPSK	0.2	-	-	-	42.71	40.72	-	-	-	-
D	QPSK	0.2	-	-	-	42.88	40.96	-	-	-	-
Total			-	-	-	48.90	46.82	-	-	-	-
Limit			-	-	-	61.25	-	-	-	-	-
Max antenna gain			-	-	-	12.35	-	-	-	-	-

NR+LTE-MC-1

Antenna Port	NR Modulation	LTE Modulation	NR Carrier Bandwidth (MHz)	LTE Carrier Bandwidth (MHz)	Output power / Peak-to-Average Ratio (PAR)		
					Channel position M		
					Power (dBm)	Power (dBm/MHz)	PAR (dB)
A	QPSK	QPSK	5	5	45.69	36.60	-
B	QPSK	QPSK	5	5	45.48	36.41	-
C	QPSK	QPSK	5	5	45.45	36.39	-
D	QPSK	QPSK	5	5	45.54	36.40	-
Total					51.56	42.47	-
Limit					-	62.15	-
Max antenna gain					-	19.68	-

NR+LTE-MC-2

Antenna Port	NR Modulation	LTE Modulation	NR Carrier Bandwidth (MHz)	LTE Carrier Bandwidth (MHz)	Output power / Peak-to-Average Ratio (PAR)		
					Channel position M		
					Power (dBm)	Power (dBm/MHz)	PAR (dB)
A	QPSK	QPSK	5	5	45.74	34.87	-
B	QPSK	QPSK	5	5	45.52	34.60	-
C	QPSK	QPSK	5	5	45.53	34.60	-
D	QPSK	QPSK	5	5	45.62	34.63	-
Total					51.62	40.70	-
Limit					-	62.15	-
Max antenna gain					-	21.45	-

Antenna Port	NR Modulation	LTE Modulation	NR Carrier Bandwidth (MHz)	LTE Carrier Bandwidth (MHz)	Output power / Peak-to-Average Ratio (PAR)		
					Channel position M		
					Power (dBm)	Power (dBm/MHz)	PAR (dB)
A	QPSK	QPSK	15	5	45.68	34.51	-
B	QPSK	QPSK	15	5	45.44	34.24	-
C	QPSK	QPSK	15	5	45.46	34.30	-
D	QPSK	QPSK	15	5	45.57	34.52	-
Total					51.56	40.41	-
Limit					-	62.15	-
Max antenna gain					-	21.74	-

NR+LTE-MC-3

Antenna Port	NR Modulation	LTE Modulation	NR Carrier Bandwidth (MHz)	LTE Carrier Bandwidth (MHz)	Output power / Peak-to-Average Ratio (PAR)		
					Channel position M		
					Power (dBm)	Power (dBm/MHz)	PAR (dB)
A	QPSK	QPSK	5	5	45.67	34.83	-
B	QPSK	QPSK	5	5	45.43	34.58	-
C	QPSK	QPSK	5	5	45.49	34.59	-
D	QPSK	QPSK	5	5	45.57	34.61	-
Total					51.56	40.67	-
Limit					-	62.15	-
Max antenna gain					-	21.48	-

Antenna Port	NR Modulation	LTE Modulation	NR Carrier Bandwidth (MHz)	LTE Carrier Bandwidth (MHz)	Output power / Peak-to-Average Ratio (PAR)		
					Channel position M		
					Power (dBm)	Power (dBm/MHz)	PAR (dB)
A	QPSK	QPSK	5	15	45.79	34.75	-
B	QPSK	QPSK	5	15	45.57	34.54	-
C	QPSK	QPSK	5	15	45.68	34.58	-
D	QPSK	QPSK	5	15	45.76	34.66	-
Total					51.72	40.65	-
Limit					-	62.15	-
Max antenna gain					-	21.50	-

Antenna Port	NR Modulation	LTE Modulation	NR Carrier Bandwidth (MHz)	LTE Carrier Bandwidth (MHz)	Output power / Peak-to-Average Ratio (PAR)		
					Channel position M		
					Power (dBm)	Power (dBm/MHz)	PAR (dB)
A	QPSK	QPSK	20	5	45.73	34.69	-
B	QPSK	QPSK	20	5	45.59	34.51	-
C	QPSK	QPSK	20	5	45.52	34.50	-
D	QPSK	QPSK	20	5	45.60	34.59	-
Total					51.63	40.59	-
Limit					-	62.15	-
Max antenna gain					-	21.56	-

NR+LTE-MC-4

Antenna Port	NR Modulation	LTE Modulation	NR Carrier Bandwidth (MHz)	LTE Carrier Bandwidth (MHz)	Output power / Peak-to-Average Ratio (PAR)		
					Channel position M		
					Power (dBm)	Power (dBm/MHz)	PAR (dB)
A	QPSK	QPSK	5	5	46.06	32.17	-
B	QPSK	QPSK	5	5	45.93	31.96	-
C	QPSK	QPSK	5	5	45.94	31.98	-
D	QPSK	QPSK	5	5	45.96	32.02	-
Total					51.99	38.05	-
Limit					-	62.15	-
Max antenna gain					-	24.10	-

NR+GB-MC-1

Antenna Port	NR Modulation	GB Modulation	NR Carrier Bandwidth (MHz)	GB Carrier Bandwidth (MHz)	Output power / Peak-to-Average Ratio (PAR)		
					Channel position M		
					Power (dBm)	Power (dBm/MHz)	PAR (dB)
A	QPSK	QPSK	5	10	45.58	36.47	-
B	QPSK	QPSK	5	10	45.41	36.37	-
C	QPSK	QPSK	5	10	45.61	36.35	-
D	QPSK	QPSK	5	10	45.49	36.40	-
Total					51.54	42.42	-
Limit					-	62.15	-
Max antenna gain					-	19.73	-

Antenna Port	NR Modulation	GB Modulation	NR Carrier Bandwidth (MHz)	GB Carrier Bandwidth (MHz)	Output power / Peak-to-Average Ratio (PAR)		
					Channel position M		
					Power (dBm)	Power (dBm/MHz)	PAR (dB)
A	QPSK	QPSK	15	20	45.96	31.87	-
B	QPSK	QPSK	15	20	45.73	31.55	-
C	QPSK	QPSK	15	20	45.77	31.57	-
D	QPSK	QPSK	15	20	45.83	31.85	-
Total					51.84	37.73	-
Limit					-	62.15	-
Max antenna gain					-	24.42	-

TEST REPORT

Antenna Port	NR Modulation	GB Modulation	NR Carrier Bandwidth (MHz)	GB Carrier Bandwidth (MHz)	Output power / Peak-to-Average Ratio (PAR)		
					Channel position M		
					Power (dBm)	Power (dBm/MHz)	PAR (dB)
A	QPSK	QPSK	20	15	45.91	32.21	-
B	QPSK	QPSK	20	15	45.71	32.20	-
C	QPSK	QPSK	20	15	45.69	32.00	-
D	QPSK	QPSK	20	15	45.77	32.12	-
Total					51.79	38.15	-
Limit					-	62.15	-
Max antenna gain					-	24.00	-

NR+GB-MC-2

Antenna Port	NR Modulation	GB Modulation	NR Carrier Bandwidth (MHz)	GB Carrier Bandwidth (MHz)	Output power / Peak-to-Average Ratio (PAR)		
					Channel position M		
					Power (dBm)	Power (dBm/MHz)	PAR (dB)
A	QPSK	QPSK	5	10	45.72	36.08	-
B	QPSK	QPSK	5	10	45.49	35.85	-
C	QPSK	QPSK	5	10	45.53	35.94	-
D	QPSK	QPSK	5	10	45.56	35.90	-
Total					51.60	41.96	-
Limit					-	62.15	-
Max antenna gain					-	20.19	-

Antenna Port	NR Modulation	GB Modulation	NR Carrier Bandwidth (MHz)	GB Carrier Bandwidth (MHz)	Output power / Peak-to-Average Ratio (PAR)		
					Channel position M		
					Power (dBm)	Power (dBm/MHz)	PAR (dB)
A	QPSK	QPSK	5	20	45.78	34.82	-
B	QPSK	QPSK	5	20	45.55	34.58	-
C	QPSK	QPSK	5	20	45.57	34.59	-
D	QPSK	QPSK	5	20	45.61	34.61	-
Total					51.65	40.67	-
Limit					-	62.15	-
Max antenna gain					-	21.48	-

TEST REPORT

Antenna Port	NR Modulation	GB Modulation	NR Carrier Bandwidth (MHz)	GB Carrier Bandwidth (MHz)	Output power / Peak-to-Average Ratio (PAR)		
					Channel position M		
					Power (dBm)	Power (dBm/MHz)	PAR (dB)
A	QPSK	QPSK	10	15	45.93	31.85	-
B	QPSK	QPSK	10	15	45.71	31.63	-
C	QPSK	QPSK	10	15	45.79	31.71	-
D	QPSK	QPSK	10	15	45.80	31.67	-
Total					51.83	37.74	-
Limit					-	62.15	-
Max antenna gain					-	24.41	-

NR+GB-MC-3

Antenna Port	NR Modulation	GB Modulation	NR Carrier Bandwidth (MHz)	GB Carrier Bandwidth (MHz)	Output power / Peak-to-Average Ratio (PAR)		
					Channel position M		
					Power (dBm)	Power (dBm/MHz)	PAR (dB)
A	QPSK	QPSK	5	10	45.75	34.86	-
B	QPSK	QPSK	5	10	45.00	34.64	-
C	QPSK	QPSK	5	10	45.60	34.60	-
D	QPSK	QPSK	5	10	45.60	34.64	-
Total					51.52	40.71	-
Limit					-	62.15	-
Max antenna gain					-	21.44	-

Antenna Port	NR Modulation	GB Modulation	NR Carrier Bandwidth (MHz)	GB Carrier Bandwidth (MHz)	Output power / Peak-to-Average Ratio (PAR)		
					Channel position M		
					Power (dBm)	Power (dBm/MHz)	PAR (dB)
A	QPSK	QPSK	5	20	45.89	34.84	-
B	QPSK	QPSK	5	20	45.62	34.58	-
C	QPSK	QPSK	5	20	45.68	34.64	-
D	QPSK	QPSK	5	20	45.69	34.63	-
Total					51.74	40.69	-
Limit					-	62.15	-
Max antenna gain					-	21.46	-