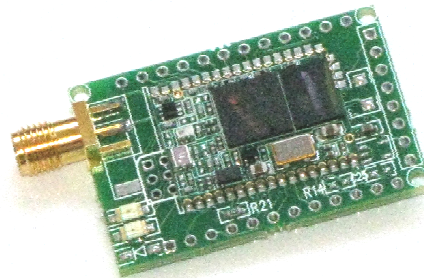


Class 1 Bluetooth® Super Module



Features

- Supports Bluetooth 2.1/2.0/1.2/1.1 and v2.0+EDR
- Embedded SPP/DUN stack support, no host or processor stacks required
- Small-form factor 24 Pin DIP package (0.1" pitch X 0.9" socket width)
- Accepts 4Vdc to 24Vdc power
- Serial port signals on TTL, RS-232 and RS-485 levels.
- RS-485 signaling with auto-direction control (PCB rev 4)
- UART baud rate speeds: 1200bps up to 921.6Kbps
- 9 General Purpose Input/Output Pins (4ma source/sink) controlled via remote commands
- 2 Channel 8 Bit AD converter (5Hz, 0-1.8VDC)
- LEDs indicate connection and RX/TX status
- On board antenna or external SMA jack
- Low power consumption (*30mA connected, <10mA sniff mode*)
- Programmable over local UART and remotely from any Bluetooth client
 - Simple ACSII command interface
- UART (SPP or HCI) and USB (HCI only) data connection interfaces
- Sustained SPP data rates - 240Kbps (slave), 300Kbps (master)
- Embedded Bluetooth stack profiles included (*requires no host stack*): GAP, SDP, RFCOMM and L2CAP protocols, with SPP and DUN profile support.

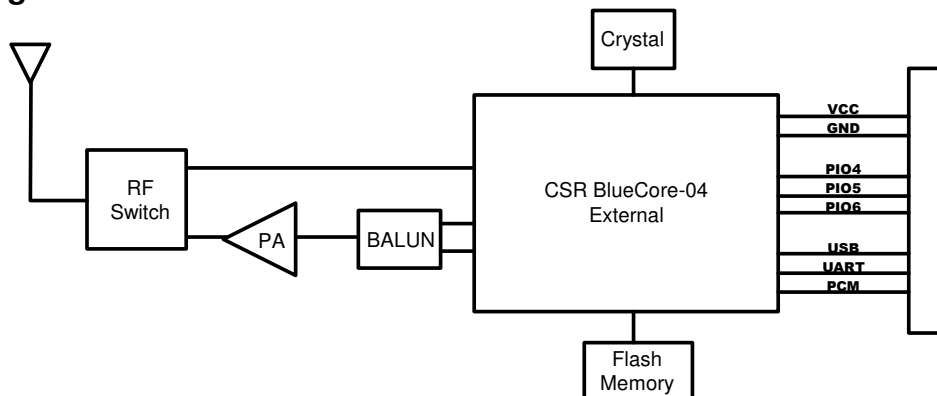
Applications

- Wireless RS232/RS485 cable replacement
- Remote equipment monitoring
- Scanners, GPS and measurement systems
- Industrial sensors and controls
- Medical devices

Description

The RN24 transforms your product's serial interface into a wireless connection. The RN24 is a Class 1 Bluetooth radio with auto-connect and connect on RX data features, enabling your product to transfer data up to 100M. The RN24 accepts a wide range of unregulated DC power. The DIP packaging with GPIO, UART interfaces and AD converter makes it the perfect prototyping module and allows products to have optional Bluetooth capability when the module is plugged in.

Block Diagram



Overview

- UART baud rate speeds: 1200bps up to 921Kbps, non-standard baud rates can be programmed.
- Class 1 radio, 330' (100m) distance, 12dBm output transmitter, -80dBm typical receive sensitivity
- Frequency 2402 ~ 2480MHz,
- FHSS/GFSK modulation, 79 channels at 1MHz intervals
- Secure communications, 128 bit encryption
- Error correction for guaranteed packet delivery
- UART local and over-the-air RF configuration
- Auto-discovery/pairing requires no software configuration (instant cable replacement).
- Auto-connect master, IO pin (DTR) and character based trigger modes

Environmental Conditions

Parameter	Value
Temperature Range (Operating)	-40 °C ~ 85 °C
Temperature Range (Storage)	-40 °C ~ 85 °C
Relative Humidity (Operating)	≤90%
Relative Humidity (Storage)	≤90%

Electrical Characteristics

Power supply voltage <i>WARNING – Only one source of power must be supplied.</i>	3.3Vdc ± 0.1V and 10mVp-p max. noise OR 4-24VDC unregulated .
--	---

Parameter	Min	Typ.	Max.	Unit
Supply Voltage (DC)	3.0	3.3	3.6	V
RX Supply Current		35	60	mA
TX Supply Current		65	100	mA
Average power consumption				
Standby/Idle (default settings)		25		mA
Connected (normal mode)		30	50	mA
Connected (low power Sniff)		8		mA
Standby/Idle (lowest power)	250uA	2.5		mA

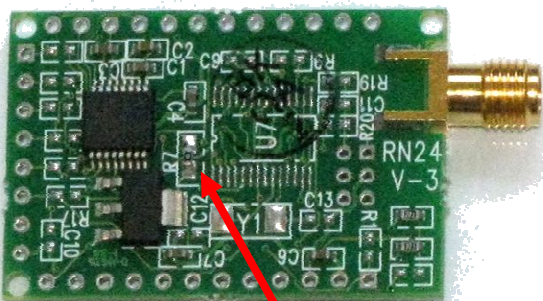
Digital I/O Characteristics

WARNING: Take care not to exceed the voltage limits to the VCC, TTL SERIAL, and GPIO pins. 0 negative voltage or voltage exceeding 3.30 VDC can permanently damage the device!

- Use a 10KΩ series resistor on inputs
- GPIO sink current is 4mA max.
- Unused pins should float

2.7V ≤ VDD ≤ 3.0V	Min	Typ.	Max.	Unit
Input logic level LOW	-0.4	-	+0.8	V
Input logic level HIGH	0.7VDD	-	VDD+0.4	V
Output logic level LOW	-	-	0.2	V
Output logic level HIGH	VDD-0.2	-	-	V
All I/O's (except reset) default to weakpull down	+0.2	+1.0	+5.0	μA

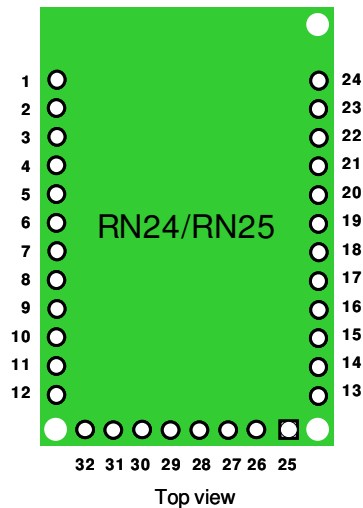
The RN24 can drive either UART signals on the TTL pins 8-11 or RS232 pins 13-16. **WARNING:** Driving the TTL signals at RS232 levels can permanently damage the module. By default the module is configured to drive only the RS232 pins. To drive the TTL signals you must remove the resistor R7. R7 can be found on the bottom of the board, near the center.



Remove R7 to enable the UART TTL signaling on pins 8-11. This will disconnect pins 13-16 from the UART interface.

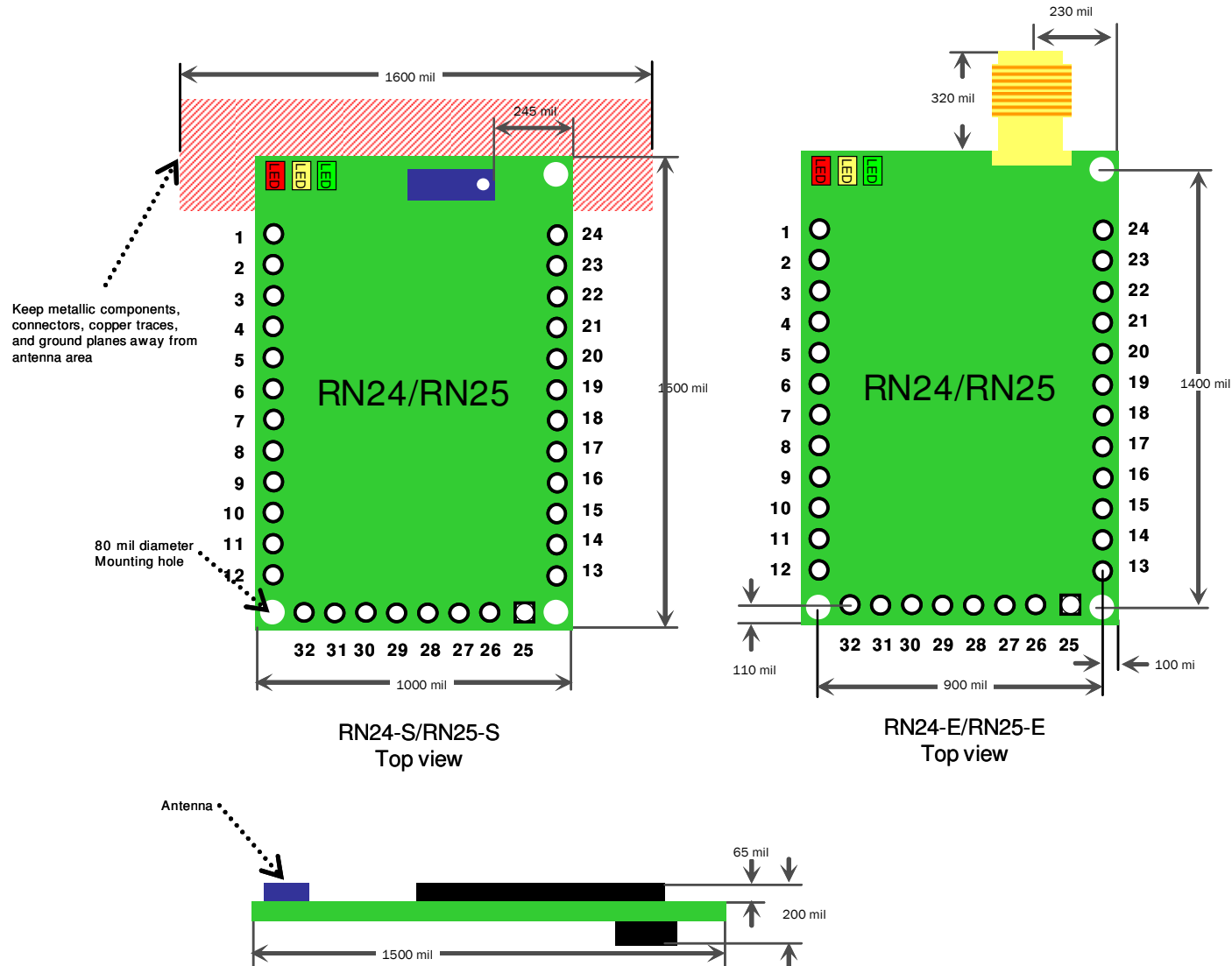
Pin Description

NOTE: The Power can be applied to either pin 12, or pin 3, but **NOT** both. If pin 12 is powered then Pin 3 can be used as a 3.3V regulated supply output up to 200mA.



Pin	Name	Description	Default
1	RESET	Active HIGH	Has 1K pulldown
2	GND		
3	VCC	3.3V power (Only for RN24)	Mutually exclusive with Pin 12
4	SPI_CS	Programming Only	No Connect
5	SPI_CK	Programming Only	No Connect
6	SPI_MO	Programming Only	No Connect
7	SPI_MI	Programming Only	No Connect
8	CTS	Input, if set HIGH disables transmitter	TTL input
9	TX	Transmit output	TTL output
10	RTS	Output, goes HIGH to disable host transmitter	TTL output
11	RX	Receive input	TTL input
12	VDD	4-24V unregulated DC power (RN24 or RN25)	Mutually exclusive with Pin 3
13	UART_TX	Receive input	RS-232 level signaling
14	UART_RX	Transmit output	RS-232 level signaling
15	UART_RTS	Output, goes HIGH to disable host transmitter	RS-232 level signaling
16	UART_CTS	Input, if set HIGH disables transmitter	RS-232 level signaling
17	GPIO-7	Default baud rate, HIGH = 9600, LOW = 115K	Input to RN24, default = LOW
18	GPIO-6	Enable auto master mode = HIGH	Input to RN24, default = LOW
19	GPIO-4	Restore factory defaults	Set HIGH then toggle for 5 msec. 3 times
20	GPIO-3	Enable instant cable mode = HIGH	Input to module, default = LOW
21	GPIO-2	Connection status, connected=HIGH	Output from module
22	RS-485 D+	RS485 signaling (Only on RN25)	(Auto direction detect)
23	RS-485 D-	RS485 signaling (Only on RN25)	(Auto direction detect)
24	GND	Ground	
25	GPIO-11		
26	GPIO-8	Controls red LED	
27	GPIO-9	Controls yellow LED	
28	GPIO-10		
29	NC		
30	NC		
31	NC		
32	GND	Ground	

Module Dimensions



Connect with 24 pin DIP (through-hole) 0.1" pitch and 0.9" wide socket

Single row mating sockets use:

Digikey P/N: ED7012-ND (female)

ED7512-ND (male)

Design Concerns

1. **Reset circuit.** RN-24 contains a 1k pulldown, the polarity of reset is ACTIVE HIGH.
A power on reset circuit with delay is OPTIONAL on the reset pin of the module. It should only be required if the input power supply has a very slow ramp, or tends to bounce or have instability on power up. Often a microcontroller or embedded CPU IO is available to generate reset once power is stable
2. **Factory reset PIO4.** It is a good idea to connect this pin to a switch, or jumper, or resistor, so it can be accessed. This pin can be used to reset the module to FACTORY DEFAULTS and is often critical in situations where the module has been mis-configured.
3. **Connection status.** PIO5 is available to drive an LED, and blinks at various speeds to indicate status. PIO2 is an output which directly reflects the connection state, it goes HIGH when connected, and LOW otherwise.
4. **RS485 support.** RS-485 signaling with auto-direction control is ONLY supported on PCB rev 4 and later. Treat pins 22 and 23 as no connect on previous PCB boards.
5. **Using SPI bus for flash upgrade.** While not required, this bus is very useful for configuring advanced parameters of the Bluetooth modules, and is required for upgrading the firmware on modules. The suggested ref-design shows a 6pin header which can be implemented to gain access to this bus. A minimum-mode version could just use the SPI signals (4pins) and pickup ground and VCC from elsewhere on the design.
6. **Minimizing Radio interference.** When integrating the RN24 DIP module with on board chip antenna be sure the area around the chip antenna end of RN24-S module protrudes at least 5mm from the PCB and any metal enclosure. If this is not possible use the RN24-E.
7. **Soldering Reflow Profile.**
 - Lead-Free Solder Reflow
 - Temp: 230 degree C , 30-40 seconds, Peak 250 degree C maximum.
 - Preheat temp: 165 +- 15 degree C, 90 to 120 seconds.
 - Time: Single Pass, One Time
8. **Connecting to the GPIO.** Placing 3.3Vdc into the PIO's while they are set as outputs will permanently damage the radio. The failure mode is short across GND and VCC. Use a 10KO resistor in series or a 10KO pull up resistor for input and output PIO's respectively.
 - Make sure to connect a common ground when using the external TX, RX inputs on the 0 – 3.3Vdc
 - For a 3 wire DB-9 interface (tx, rx, gnd only) connect/short CTS to RTS, Factory default is hardware flow control enabled CTS and RTS connected.
 - When using a 5.0Vdc Input, PIO's require a 10K ohm series resistor. PIO's are 0-3.3Vdc not 5 volt tolerant.

Compliance Information

- FCC Certified, FCC ID T9J-RN24, IC number6514A-RN24
- Environmentally friendly RoHS compliant

Ordering Information

Part Number	Description
RN-24-S	With chip antenna
RN-24-E	With SMA jack
RN-25-S	RS485 signaling with chip antenna
RN-25-E	RS485 signaling with SMA jack

RN-SMA-S	1" external antenna "Stubby"
RN-SMA-4	4" high performance antenna
For other configurations, contact Roving Networks directly.	

Visit <http://www.rovingnetworks.com> for current pricing and a list of distributors carrying our products.

Copyright © 2009 Roving Networks. All rights reserved.

The Bluetooth trademark and logo are registered trademarks and are owned by the Bluetooth SIG, Inc. All other trademarks are property of their respective owners.

Roving Networks reserves the right to make corrections, modifications, and other changes to its products, documentation and services at any time. Customers should obtain the latest relevant information before placing orders and should verify that such information is current and complete.

Roving Networks assumes no liability for applications assistance or customer product design. Customers are responsible for their products and applications using Roving Networks components. To minimize the risks associated with customer products and applications, customers should provide adequate design and operating safeguards.

Roving Networks products are not authorized for use in safety-critical applications (such as life support) where a failure of the Roving Networks product would reasonably be expected to cause severe personal injury or death, unless officers of the parties have executed an agreement specifically governing such use.

Federal Communications Commission (FCC) Requirements

This equipment has been tested and found to comply with the limits for a Class B digital device, pursuant to part 15 of the FCC rules. These limits are designed to provide reasonable protection against harmful interference in a residential installation.

This equipment generates uses and can radiate radio frequency energy and, if not installed and used in accordance with the instructions, may cause harmful interference to radio communications. However, there is no guarantee that interference will not occur in a particular installation. If this equipment does cause harmful interference to radio or television reception, which can be determined by turning the equipment off and on, the user is encouraged to try to correct the interference by one or more of the following measures:

- Reorient or relocate the receiving antenna.
- Increase the separation between the equipment and receiver.
- Connect the equipment into an outlet on a circuit different from that to which the receiver is connected.
- Consult the dealer or an experienced radio/TV technician for help.

FCC Caution :

To assure continued compliance, any changes or modifications not expressly approved by the party responsible for compliance could void the user's authority to operate this equipment. (Example - use only shielded interface cables when connecting to computer or peripheral devices).

This Transmitter must not be colocated or operating in conjunction with any other antenna or transmitter. Any changes or modifications (including the antennas) made to this device that are not expressly approved by the manufacturer may void the user's authority to operate the equipment.

End Product Labeling

This transmitter module is authorized only for use in devices where the antenna may be installed such that 20 cm may be maintained between the antenna and users. The final end product must be labeled in visible area with the following:

“Contains FCC ID: T9J-RN24”

End Product Manual Information

The user manual for end users must include the following information in a prominent location “IMPORTANT NOTE: To comply with FCC RF exposure compliance requirements, the antenna used for this transmitter must be installed to provide a separation

distance of at least 20cm from all persons and must not be colocated or operating in conjunction with any other antenna or transmitter.”

This device complies with part 15 of the FCC rules. Operation is subject to the following two conditions

- (1) This device may not cause harmful interference and
- (2) This device must accept any interference received, including interference that may cause undesired operation.

IMPORTANT NOTE:

In the event that these conditions can not be met (for example certain laptop configurations or colocation with another transmitter), then the FCC authorization is no longer considered valid and the FCC ID can not be used on the final product. In these circumstances, the OEM integrator will be responsible for reevaluating the end product (including the transmitter) and obtaining a separate FCC authorization.

This device is intended only for OEM integrators under the following conditions: The antenna must be installed such that 20 cm is maintained between the antenna and users. As long as a condition above is met, further transmitter test will not be required. However, the OEM integrator is still responsible for testing their end product for any additional compliance requirements required with this module installed (for example, digital device emissions, PC peripheral requirements, etc.).