



PRO-CELL CO., LTD.

SPECIFICATION FOR APPROVAL

Customer :

Model No. : OB-002

Description : 2.4GHz OMNI ANTENNA

Date : 2006/09/19

PRO-CELL CO., LTD.

No.6, Lane 133, Sec.1, Guo-Ji Road, Ta-yuan Hsiang, Taoyuan, Taiwan, R.O.C.

Tel: +886-3-3858288

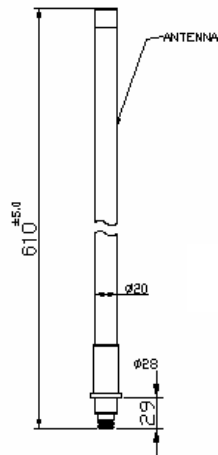
Fax: +886-3-3858289

E-mail: sales@antenna.com.tw

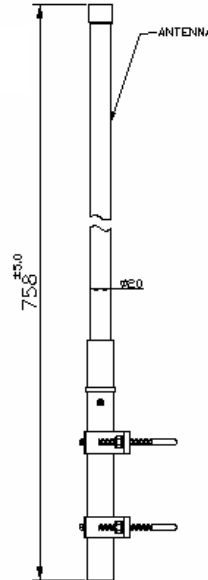
<http://www.antenna.com.tw>



PRO-CELL CO., LTD.



Antenna



Antenna + mount

Electrical Specifications:

Frequency Range	2.4 ~ 2.4835GHz
VSWR	≤ 2.0
Impedance	50Ω ± 5Ω
Gain	9 dBi
Polarization	Vertical
Power Handling	10 Watt
Beam Width	H: 360° / E: 14.6°

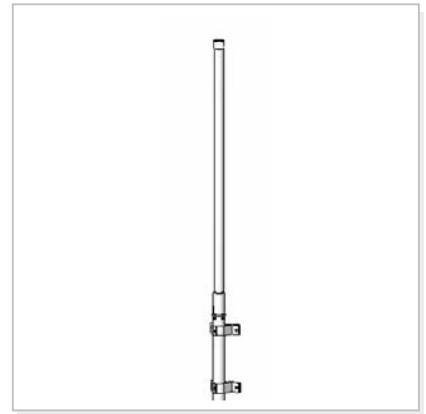
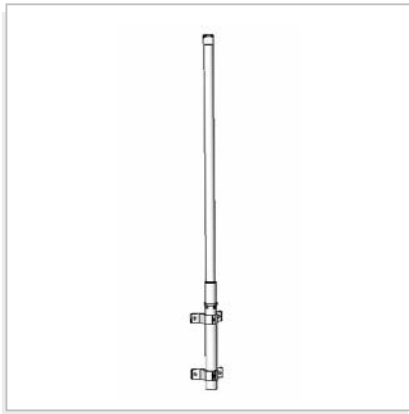
Mechanical Specifications:

Connector	N Female
Operation Temp.	-30°C ~ +60°C
Material	Radome: Fiberglass Base: Copper Mount: Aluminum
Dimension (L*W*H)	610*28Ø mm
Weight	408g ± 20g (w/ mount)
Color	White



PRO-CELL CO., LTD.

3D Illustration



PRO-CELL CO., LTD.

No.6, Lane 133, Sec.1, Guo-Ji Road, Ta-yuan Hsiang, Taoyuan, Taiwan. R.O.C.

Tel: +886-3-3858288

Fax: +886-3-3858289

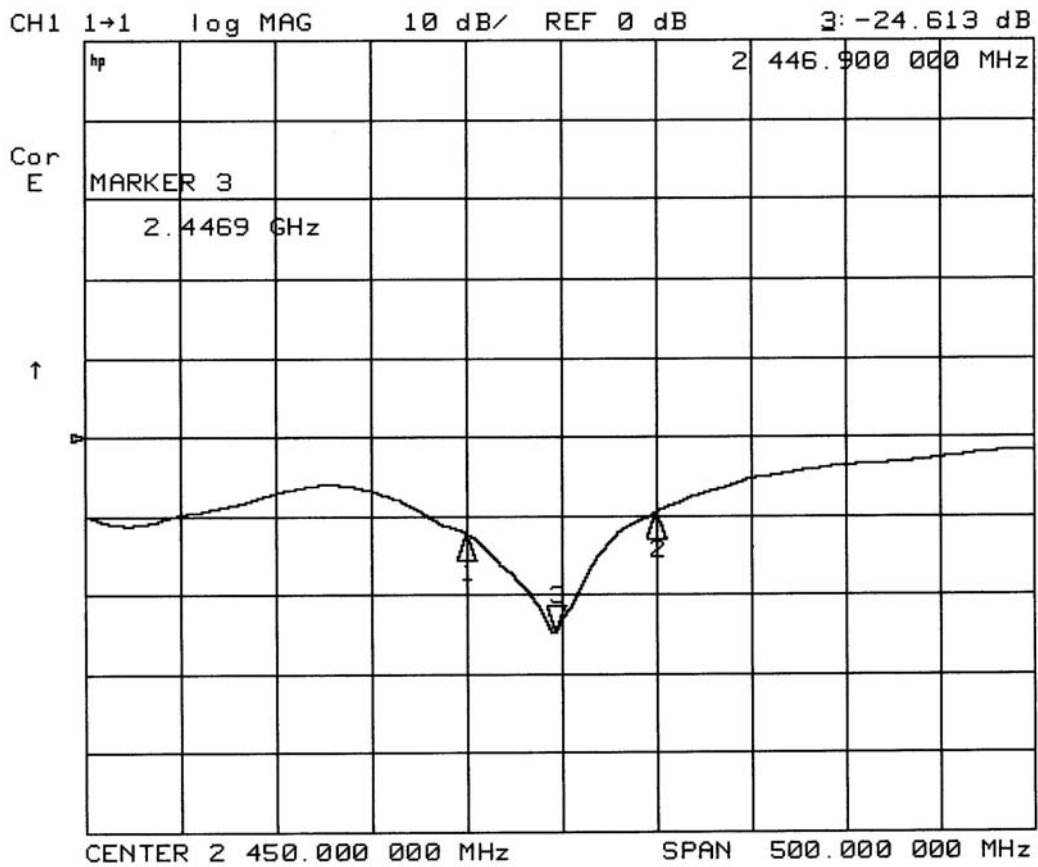
E-mail: sales@antenna.com.tw

<http://www.antenna.com.tw>



PRO-CELL CO., LTD.

RETURN LOSS



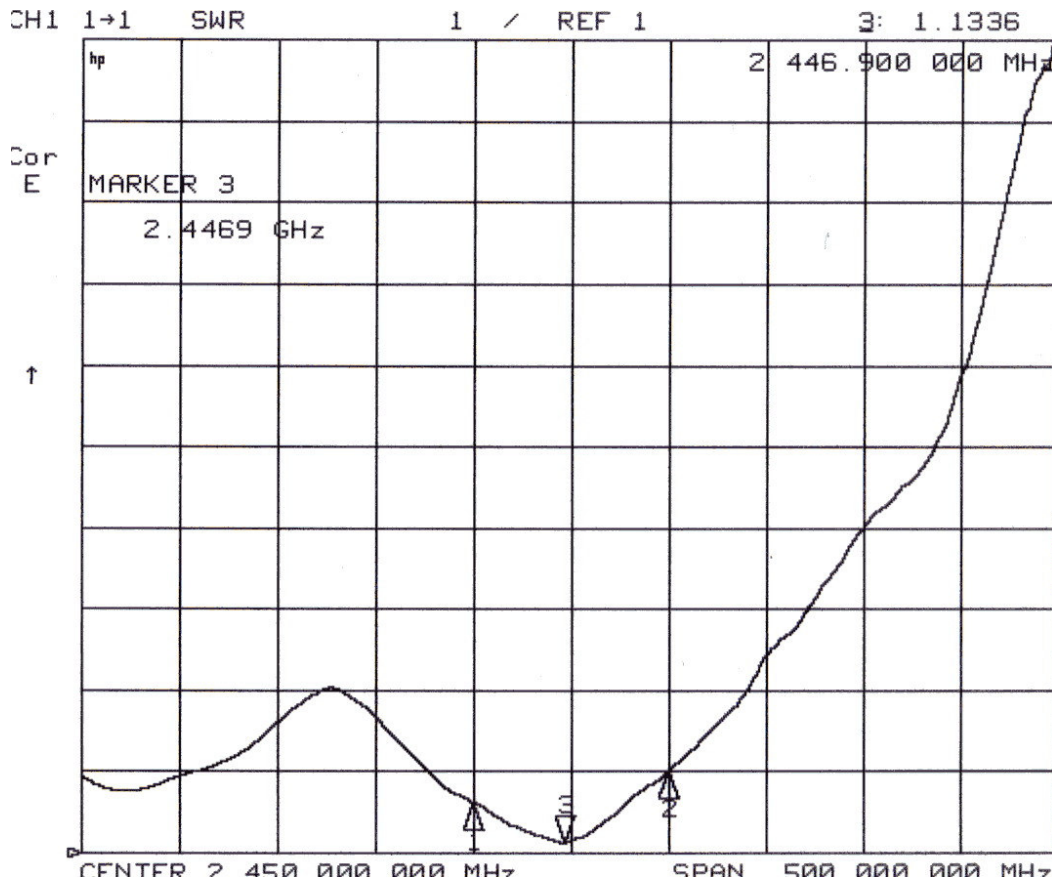
PRO-CELL CO., LTD.

No.6, Lane 133, Sec.1, Guo-Ji Road, Ta-yuan Hsiang, Taoyuan, Taiwan, R.O.C.
Tel: +886-3-3858288 Fax: +886-3-3858289
E-mail: sales@antenna.com.tw <http://www.antenna.com.tw>



PRO-CELL CO., LTD.

SWR



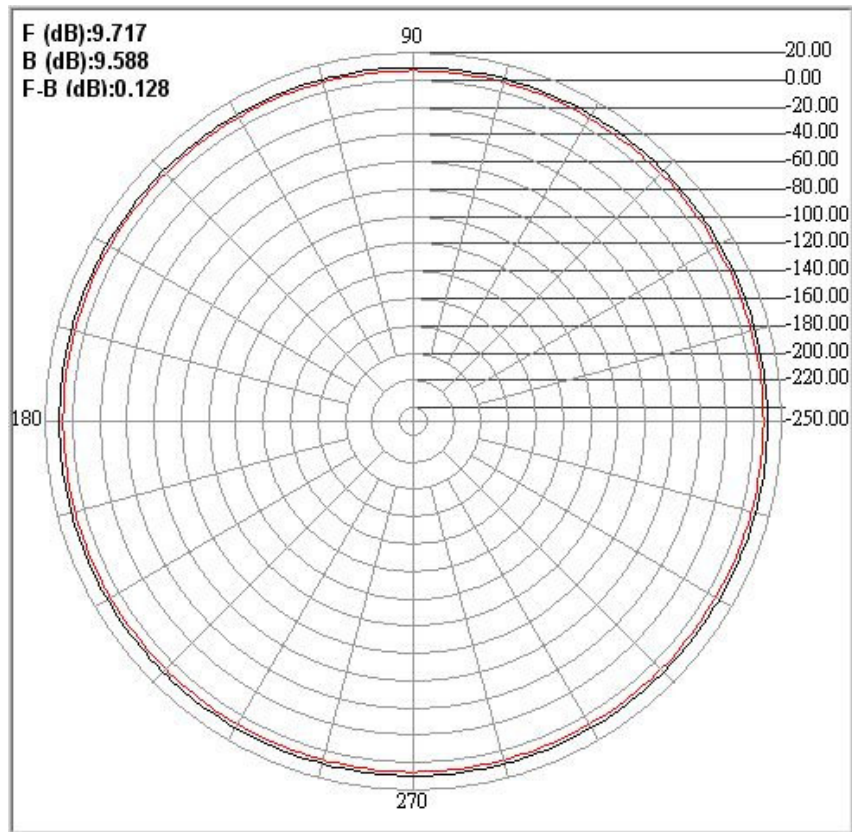
PRO-CELL CO., LTD.

No.6, Lane 133, Sec.1, Guo-Ji Road, Ta-yuan Hsiang, Taoyuan, Taiwan, R.O.C.
Tel: +886-3-3858288 Fax: +886-3-3858289
E-mail: sales@antenna.com.tw <http://www.antenna.com.tw>



PRO-CELL CO., LTD.

H-PLANE



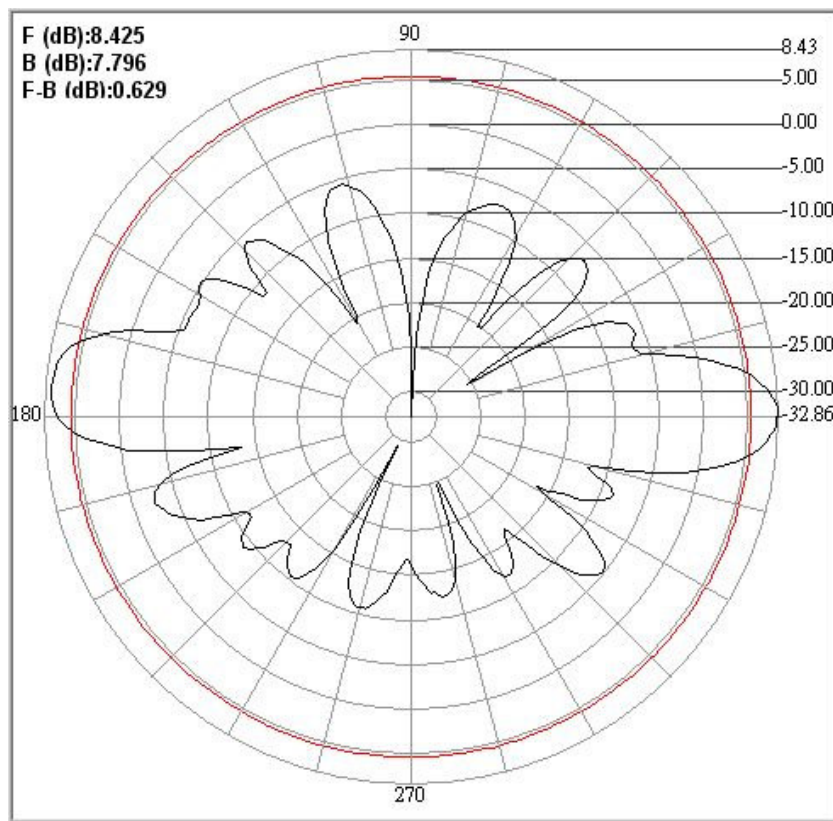
PRO-CELL CO., LTD.

No.6, Lane 133, Sec.1, Guo-Ji Road, Ta-yuan Hsiang, Taoyuan, Taiwan, R.O.C.
Tel: +886-3-3858288 Fax: +886-3-3858289
E-mail: sales@antenna.com.tw <http://www.antenna.com.tw>



PRO-CELL CO., LTD.

E-PLANE



PRO-CELL CO., LTD.

No.6, Lane 133, Sec.1, Guo-Ji Road, Ta-yuan Hsiang, Taoyuan, Taiwan, R.O.C.
Tel: +886-3-3858288 Fax: +886-3-3858289
E-mail: sales@antenna.com.tw <http://www.antenna.com.tw>



PRO-CELL CO., LTD.

SPECIFICATION FOR APPROVAL

Customer :

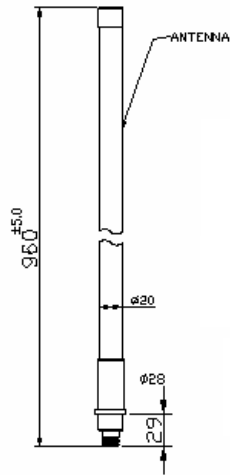
Model No. : OB-003

Description : 2.4GHz OMNI ANTENNA

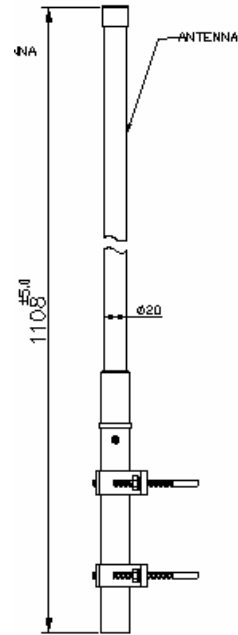
Date : 2006/11/07



PRO-CELL CO., LTD.



Antenna



Antenna + mount

Electrical Specifications:

Frequency Range	2.4 ~ 2.4835GHz
VSWR	≤ 2.0
Impedance	$50\Omega \pm 5\Omega$
Gain	12 dBi
Polarization	Vertical
Power Handling	10 Watt
Beam Width	H: 360° / E: 10°

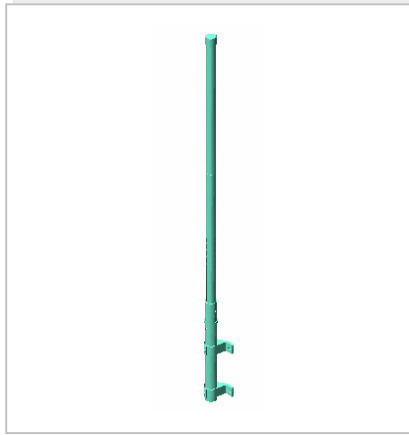
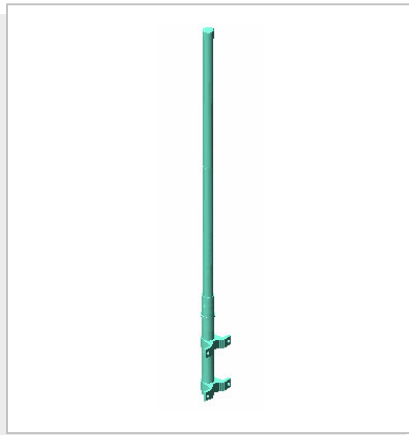
Mechanical Specifications:

Connector	N Female
Operation Temp.	$-30^\circ\text{C} \sim +60^\circ\text{C}$
Material	Radome: Fiberglass Base: Copper Mount: Aluminum
Dimension (L*W*H)	960*280 mm
Weight	720g \pm 20g (w/ mount)
Color	White



PRO-CELL CO., LTD.

3D Illustration



PRO-CELL CO., LTD.

No.6, Lane 133, Sec.1, Guo-Ji Road, Ta-yuan Hsiang, Taoyuan, Taiwan. R.O.C.

Tel: +886-3-3858288

Fax: +886-3-3858289

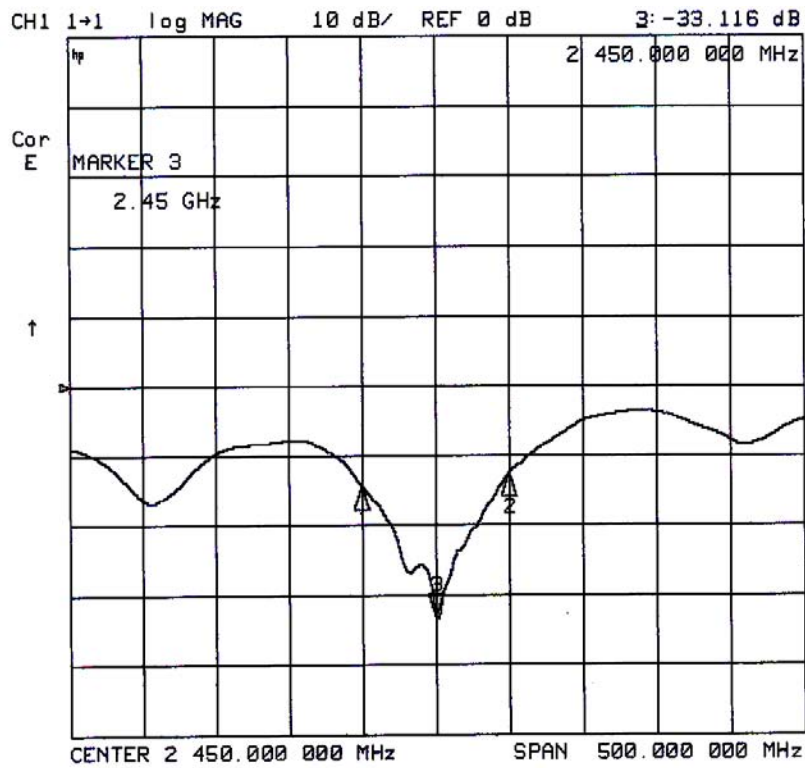
E-mail: sales@antenna.com.tw

<http://www.antenna.com.tw>



PRO-CELL CO., LTD.

RETURN LOSS



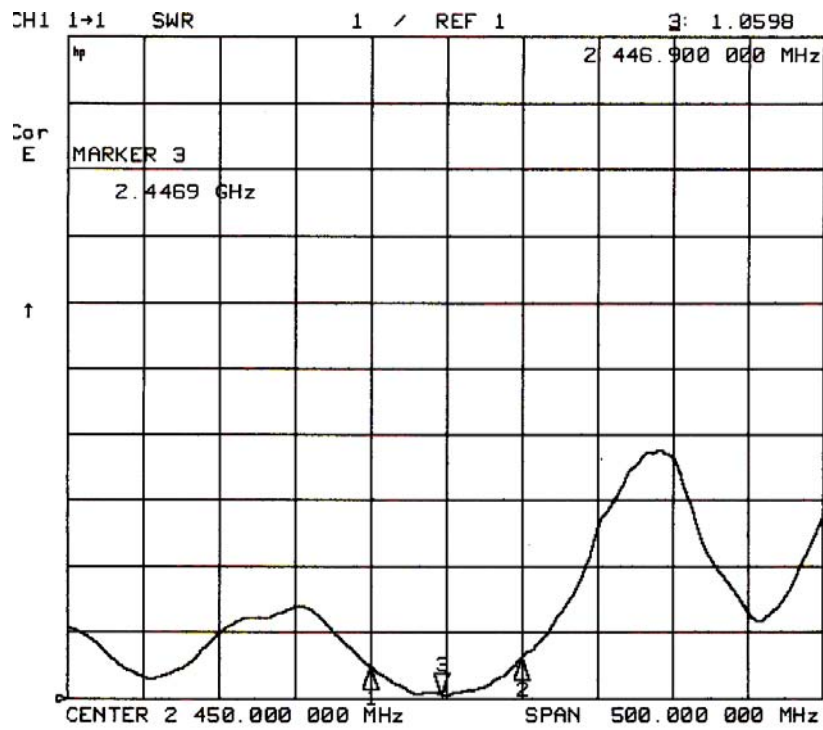
PRO-CELL CO., LTD.

No.6, Lane 133, Sec.1, Guo-Ji Road, Ta-yuan Hsiang, Taoyuan, Taiwan. R.O.C.
Tel: +886-3-3858288 Fax: +886-3-3858289
E-mail: sales@antenna.com.tw <http://www.antenna.com.tw>



PRO-CELL CO., LTD.

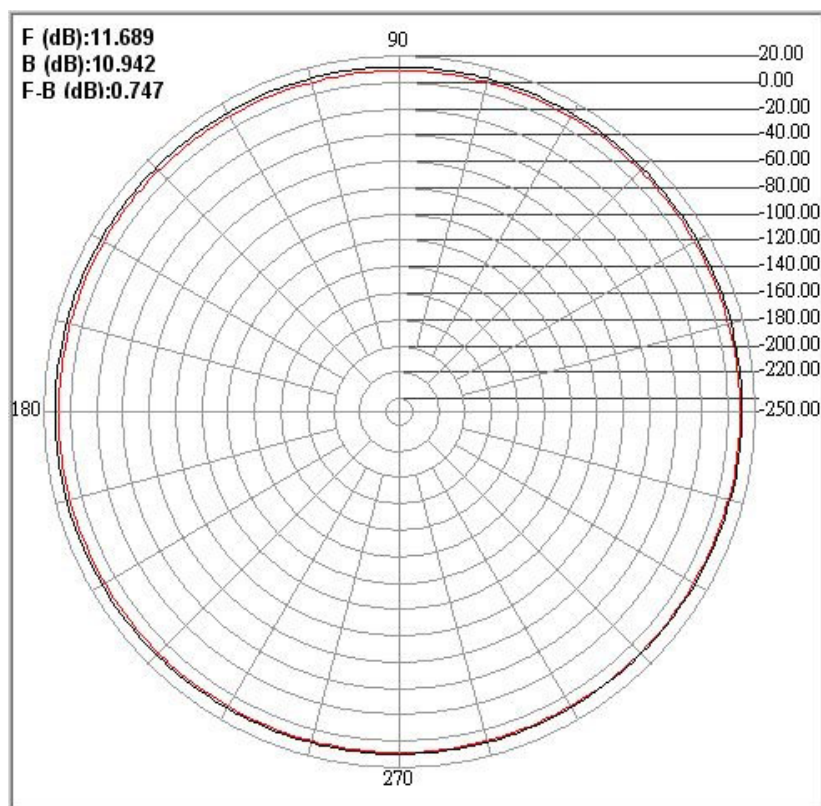
SWR





PRO-CELL CO., LTD.

H-PLANE



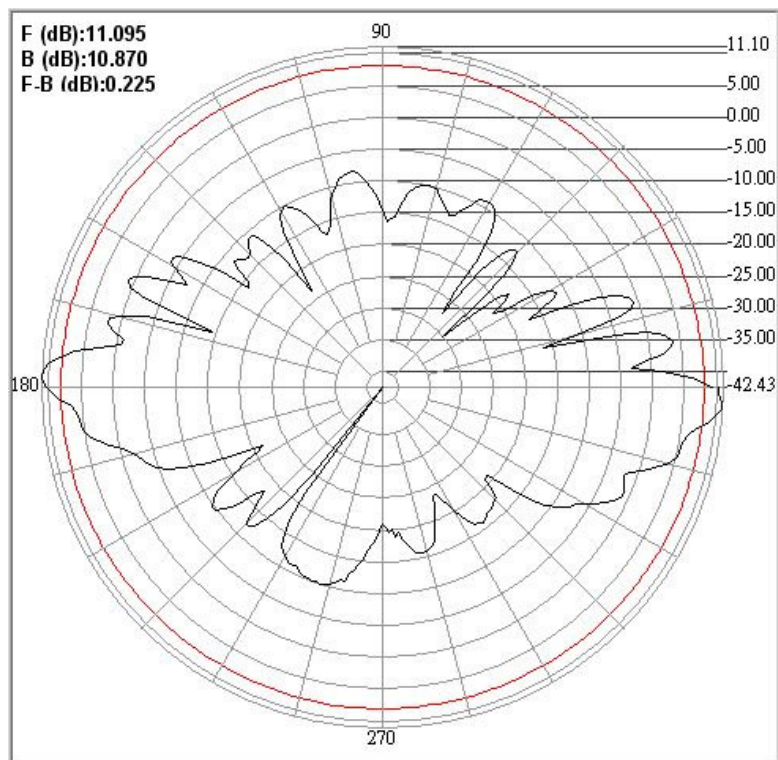
PRO-CELL CO., LTD.

No.6, Lane 133, Sec.1, Guo-Ji Road, Ta-yuan Hsiang, Taoyuan, Taiwan. R.O.C.
Tel: +886-3-3858288 Fax: +886-3-3858289
E-mail: sales@antenna.com.tw http://www.antenna.com.tw



PRO-CELL CO., LTD.

E-PLANE





PRO-CELL CO., LTD.

SPECIFICATION FOR APPROVAL

Customer :

Model No. : PA-M01

Description : 2.4GHz PANEL ANTENNA

Date : 2006/10/31

PRO-CELL CO., LTD.

No.6, Lane 133, Sec.1, Guo-Ji Road, Ta-yuan Hsiang, Taoyuan, Taiwan. R.O.C.

Tel: 886-3-3858288

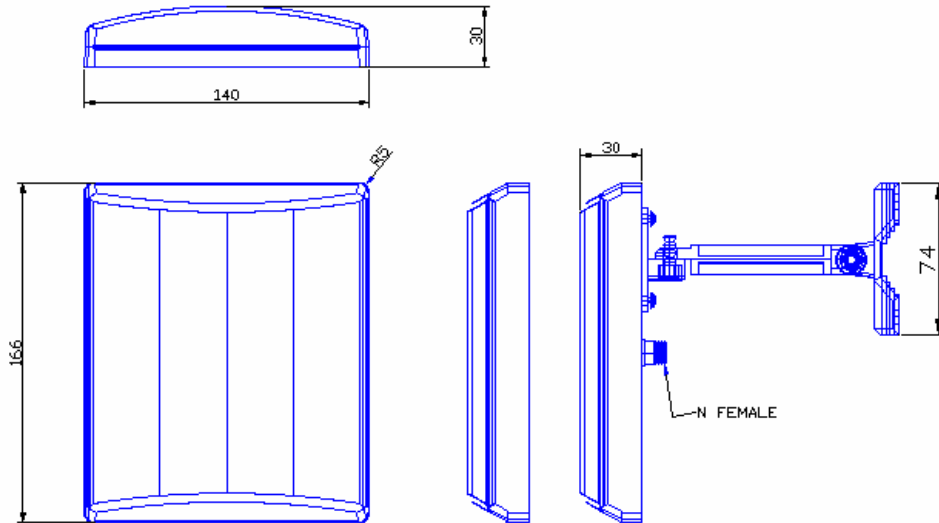
Fax: 886-3-3858289

E-mail: sales@antenna.com.tw

<http://www.antenna.com.tw>



PRO-CELL CO., LTD.



Electrical Specifications:

Frequency Range	2.4~ 2.4835GHz
VSWR	≤ 2.0
Impedance	50Ω ± 5Ω
Gain	12 dBi
Polarization	Vertical
Power Handling	10 Watt
Beam Width	H: 50.1° / E: 39.1°

Mechanical Specifications:

Connector	N Female
Operation Temp.	-30°C ~ +60°C
Material	Radome: ABS Mount: Zinc Alloy
Dimension (L*W*H)	166*140*30 mm
Weight	370g ± 20g (w/ mount)
Color	White

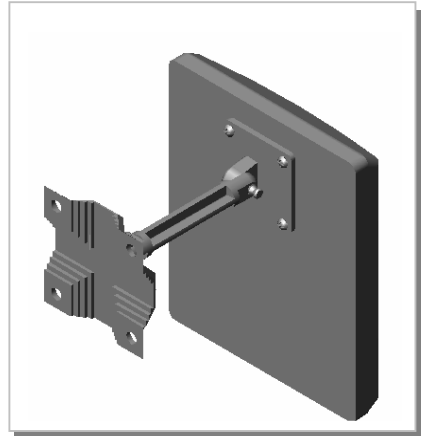
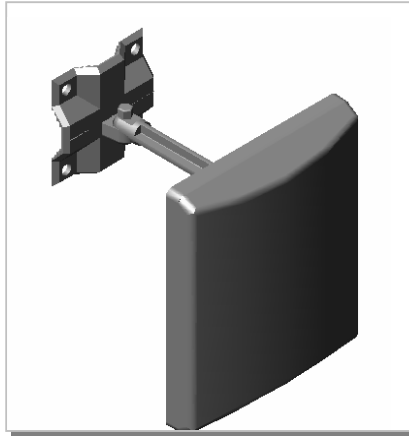
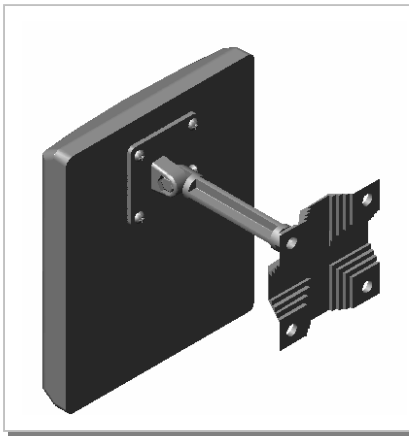
PRO-CELL CO., LTD.

No.6, Lane 133, Sec.1, Guo-Ji Road, Ta-yuan Hsiang, Taoyuan, Taiwan, R.O.C.
Tel: 886-3-3858288 Fax: 886-3-3858289
E-mail: sales@antenna.com.tw <http://www.antenna.com.tw>



PRO-CELL CO., LTD.

3D Illustration



PRO-CELL CO., LTD.

No.6, Lane 133, Sec.1, Guo-Ji Road, Ta-yuan Hsiang, Taoyuan, Taiwan, R.O.C.

Tel: 886-3-3858288

Fax: 886-3-3858289

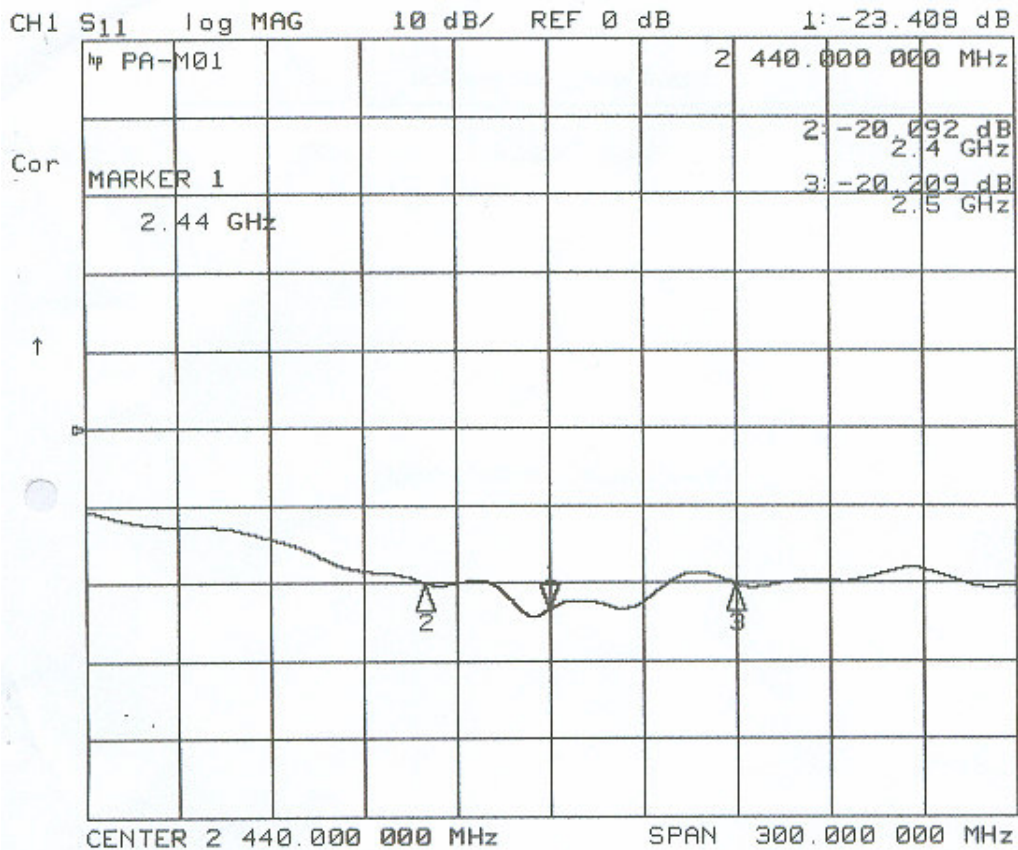
E-mail: sales@antenna.com.tw

<http://www.antenna.com.tw>



PRO-CELL CO., LTD.

RETURN LOSS



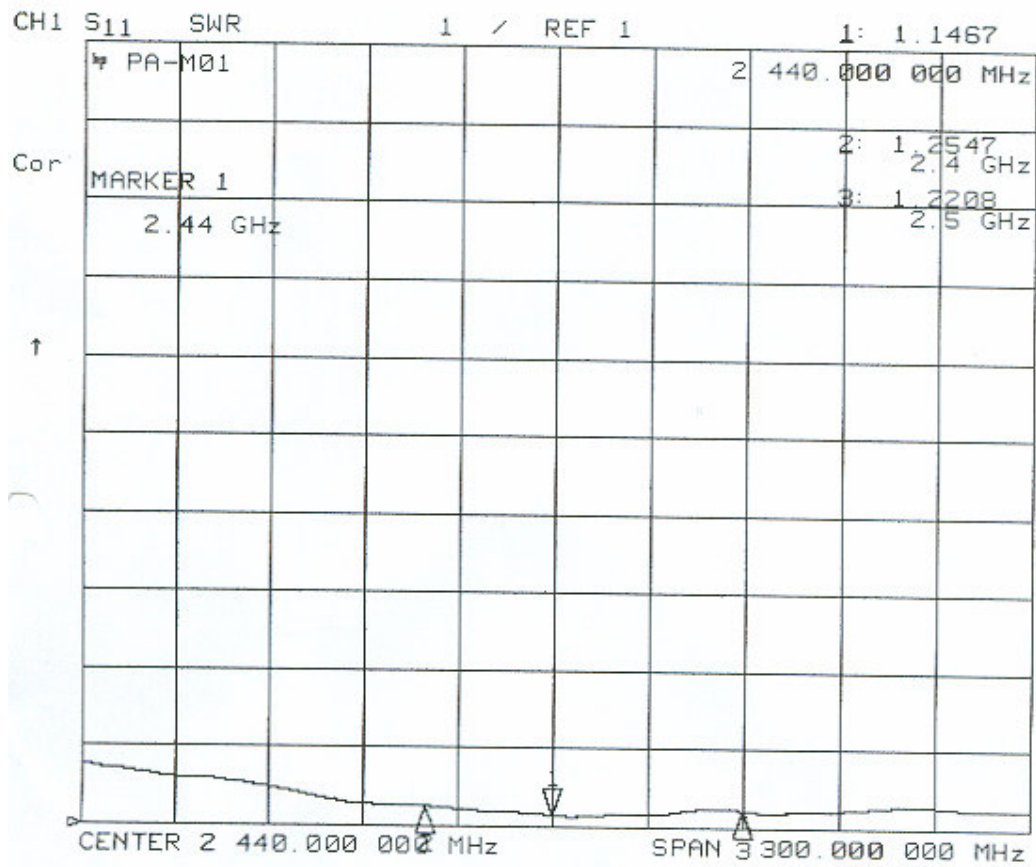
PRO-CELL CO., LTD.

No.6, Lane 133, Sec.1, Guo-Ji Road, Ta-yuan Hsiang, Taoyuan, Taiwan, R.O.C.
Tel: 886-3-3858288 Fax: 886-3-3858289
E-mail: sales@antenna.com.tw <http://www.antenna.com.tw>



PRO-CELL CO., LTD.

SWR

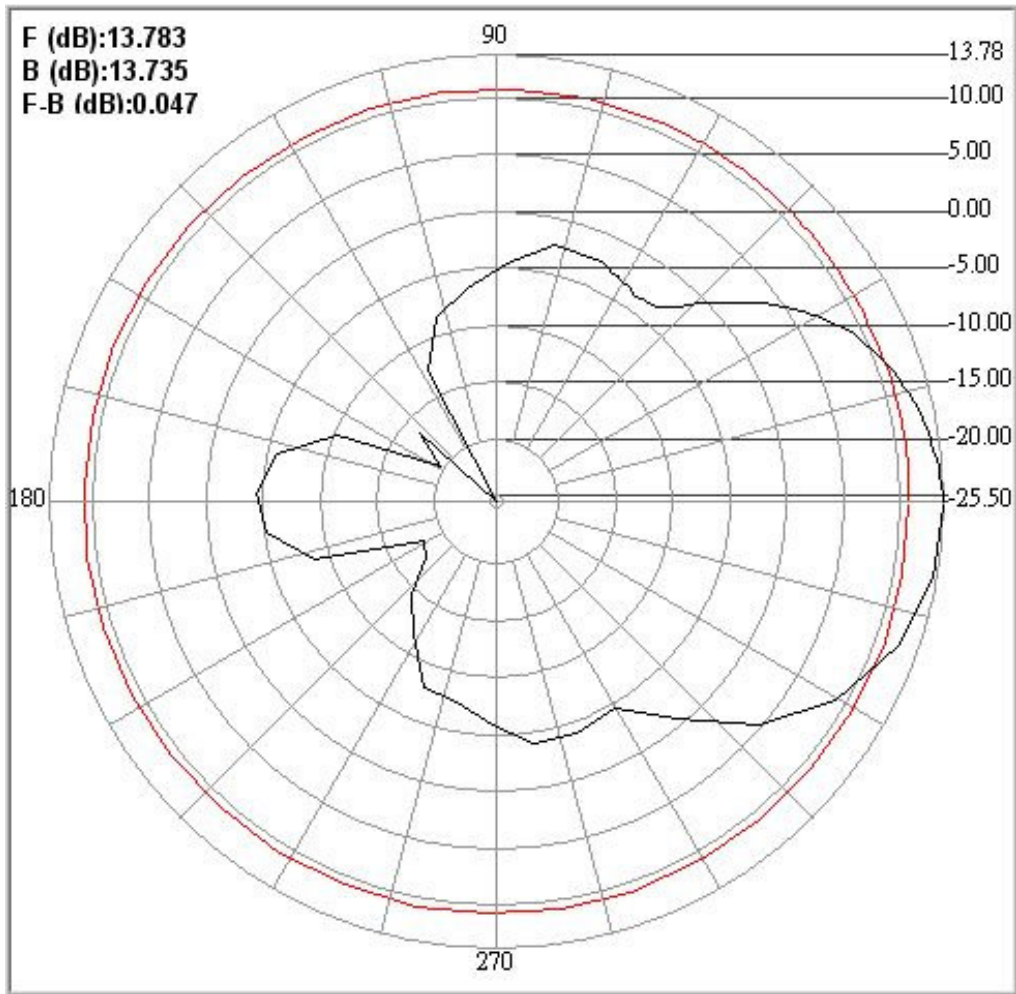


PRO-CELL CO., LTD.

No.6, Lane 133, Sec.1, Guo-Ji Road, Ta-yuan Hsiang, Taoyuan, Taiwan, R.O.C.
Tel: 886-3-3858288 Fax: 886-3-3858289
E-mail: sales@antenna.com.tw <http://www.antenna.com.tw>

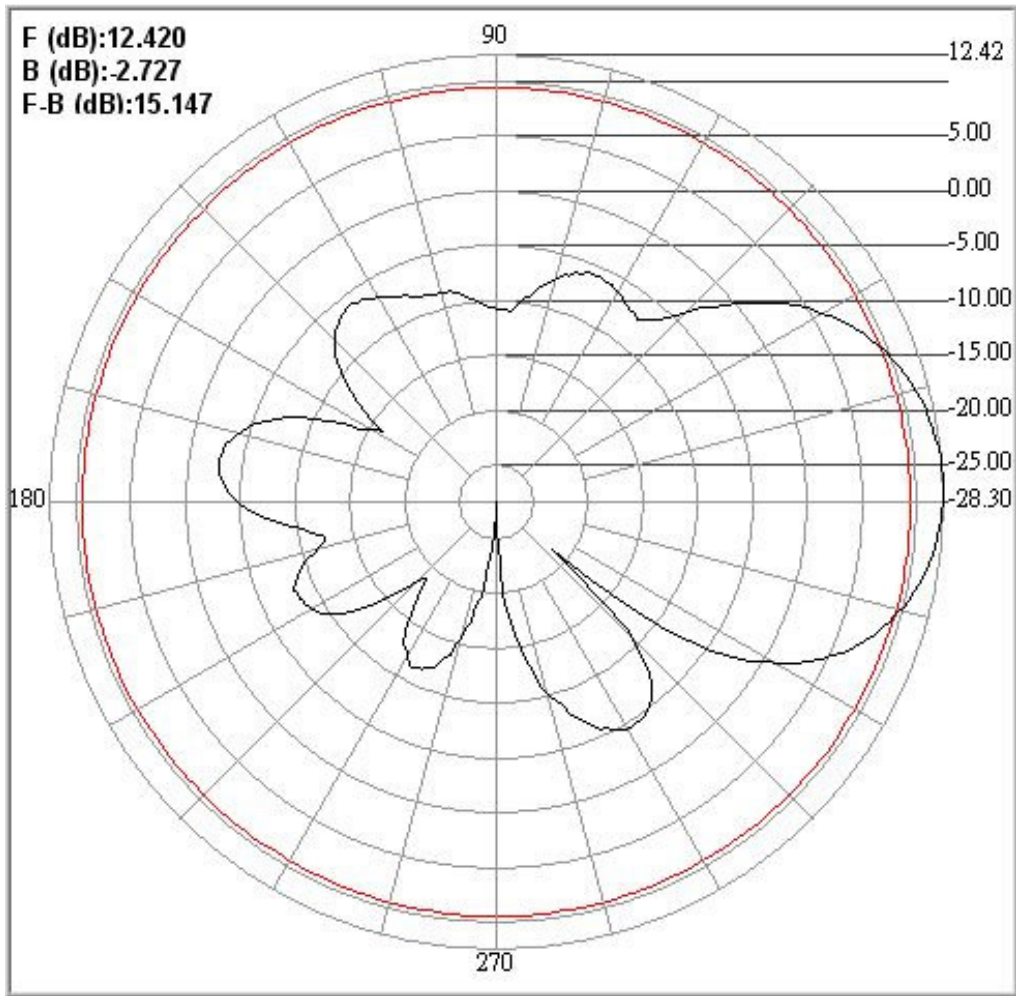


H-PLANE





E-PLANE





PRO-CELL CO., LTD.

SPECIFICATION FOR APPROVAL

Customer :

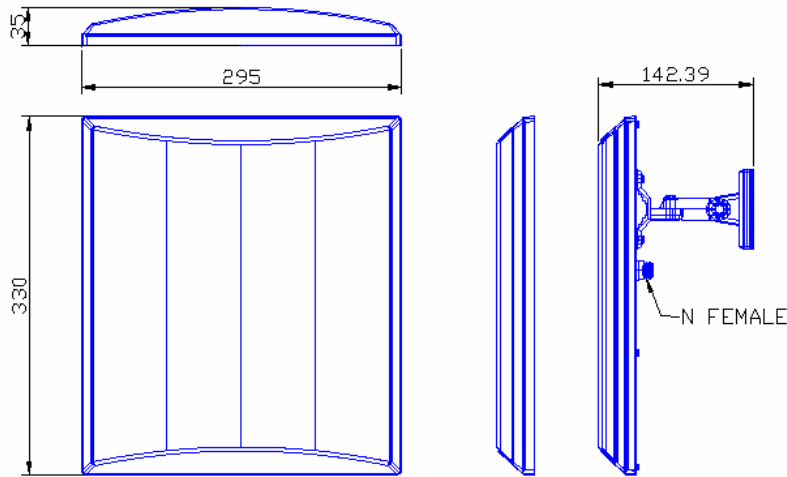
Model No. : PA-L01

Description : 2.4GHz PANEL ANTENNA

Date : 2006/09/19



PRO-CELL CO., LTD.



Electrical Specifications:

Frequency Range	2.4~ 2.4835GHz
VSWR	≤ 2.0
Impedance	50Ω ± 5Ω
Gain	18 dBi
Polarization	Vertical
Power Handling	10 Watt
Beam Width	H: 25.8° / E: 20.7°

Mechanical Specifications:

Connector	N Female
Operation Temp.	-30°C ~ +60°C
Material	Radome: ABS Mount: Zinc alloy
Dimension (L*W*H)	330*295*35 mm
Weight	1344g ± 20g (w/ mount)
Color	White

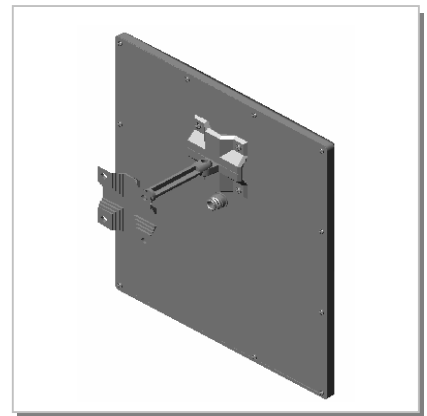
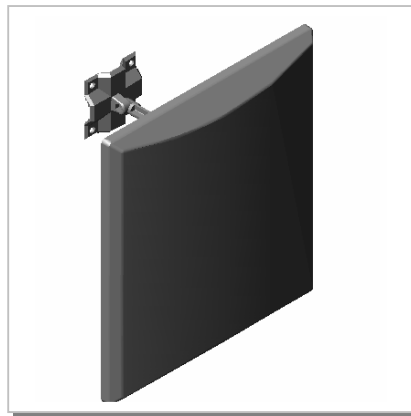
PRO-CELL CO., LTD.

No.6, Lane 133, Sec.1 Guo-Ji Road, Ta-yuan Hsiang, Taoyuan, Taiwan, R.O.C.
Tel: 886-3-3858288 Fax: 886-3-3858289
E-mail: sales@antenna.com.tw <http://www.antenna.com.tw>



PRO-CELL CO., LTD.

3D Illustration



PRO-CELL CO., LTD.

No.6, Lane 133, Sec.1 Guo-Ji Road, Ta-yuan Hsiang, Taoyuan, Taiwan, R.O.C.

Tel: 886-3-3858288

Fax: 886-3-3858289

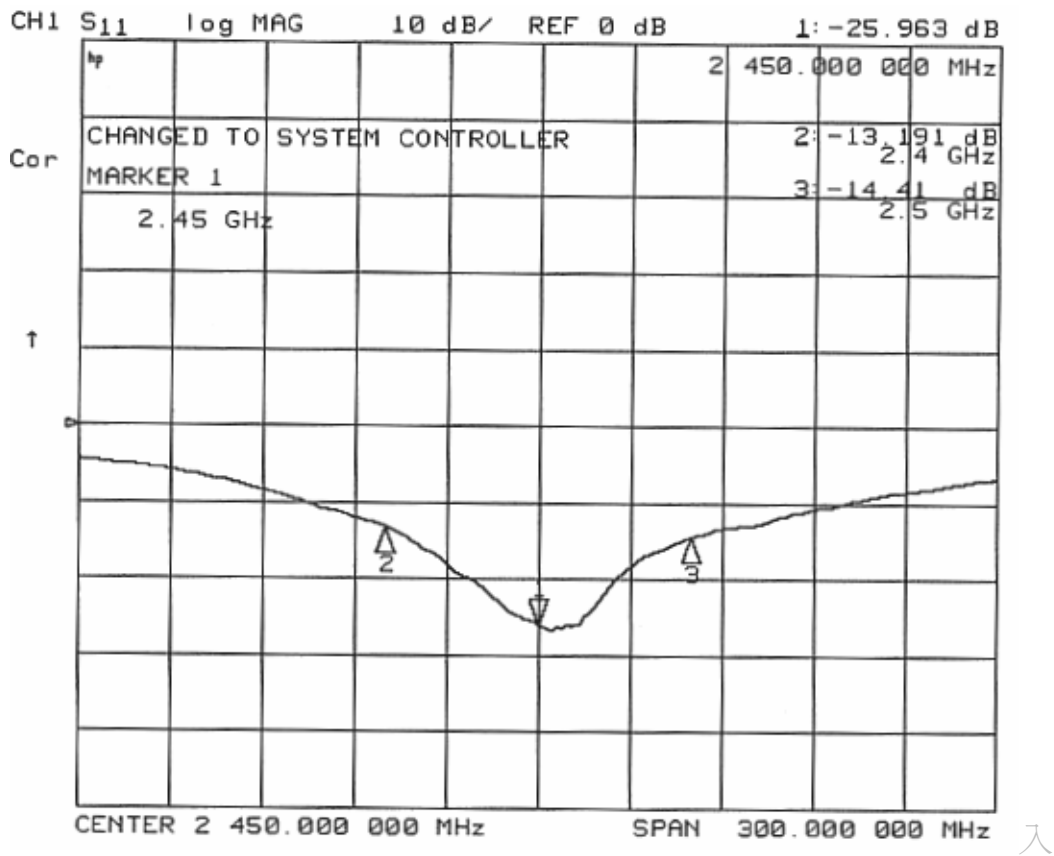
E-mail: sales@antenna.com.tw

<http://www.antenna.com.tw>



PRO-CELL CO., LTD.

RETURN LOSS



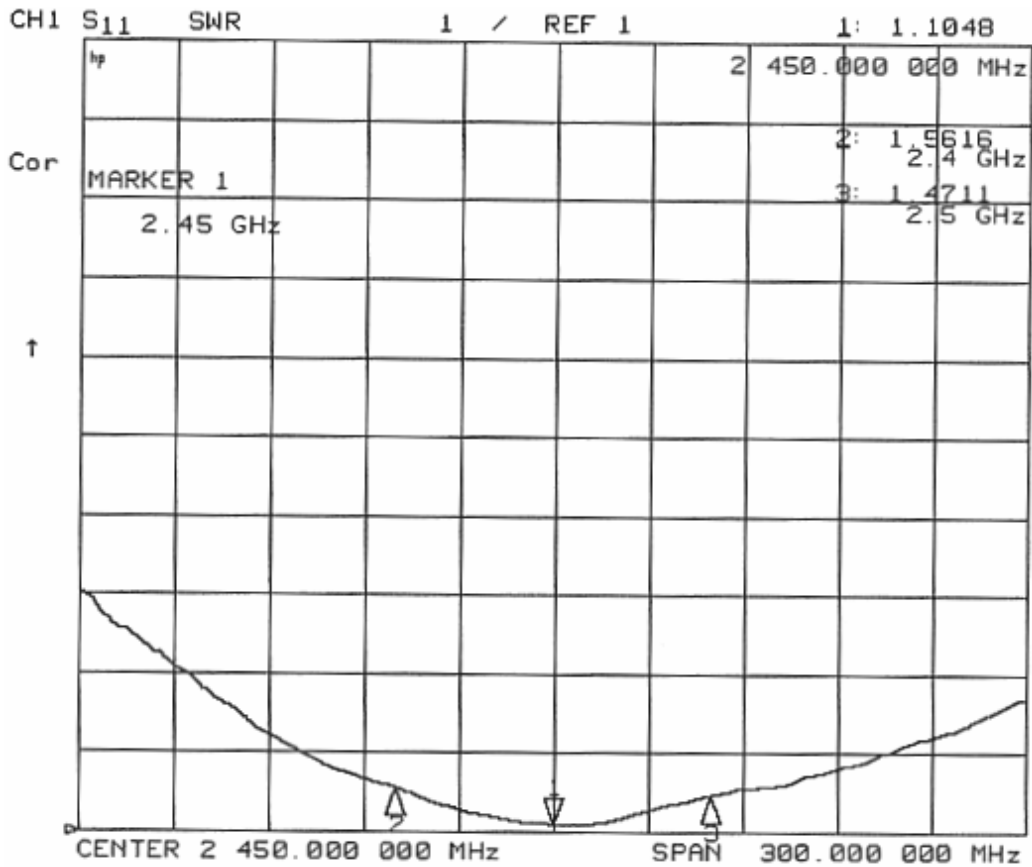
PRO-CELL CO., LTD.

No.6, Lane 133, Sec.1 Guo-Ji Road, Ta-yuan Hsiang, Taoyuan, Taiwan, R.O.C.
Tel: 886-3-3858288 Fax: 886-3-3858289
E-mail: sales@antenna.com.tw <http://www.antenna.com.tw>



PRO-CELL CO., LTD.

SWR



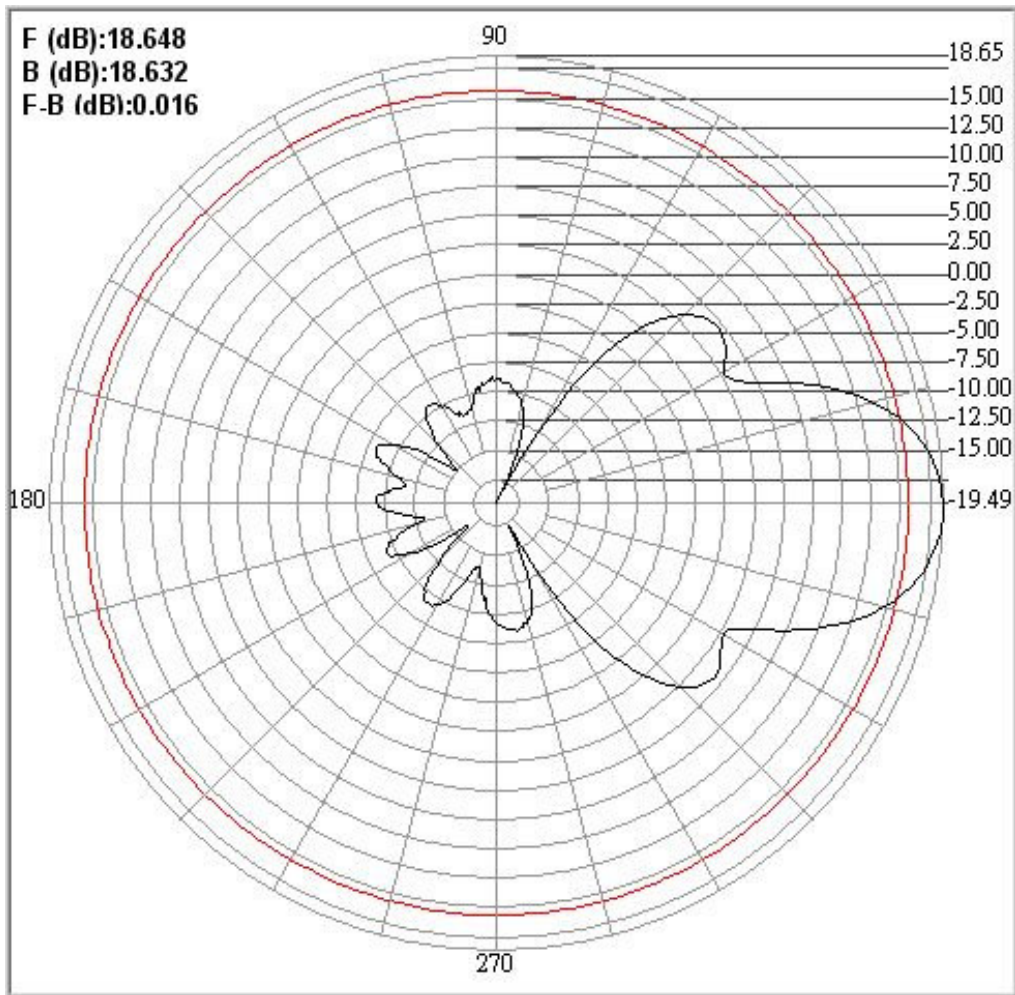
PRO-CELL CO., LTD.

No.6, Lane 133, Sec.1 Guo-Ji Road, Ta-yuan Hsiang, Taoyuan, Taiwan, R.O.C.
Tel: 886-3-3858288 Fax: 886-3-3858289
E-mail: sales@antenna.com.tw <http://www.antenna.com.tw>



PRO-CELL CO., LTD.

H-PLANE

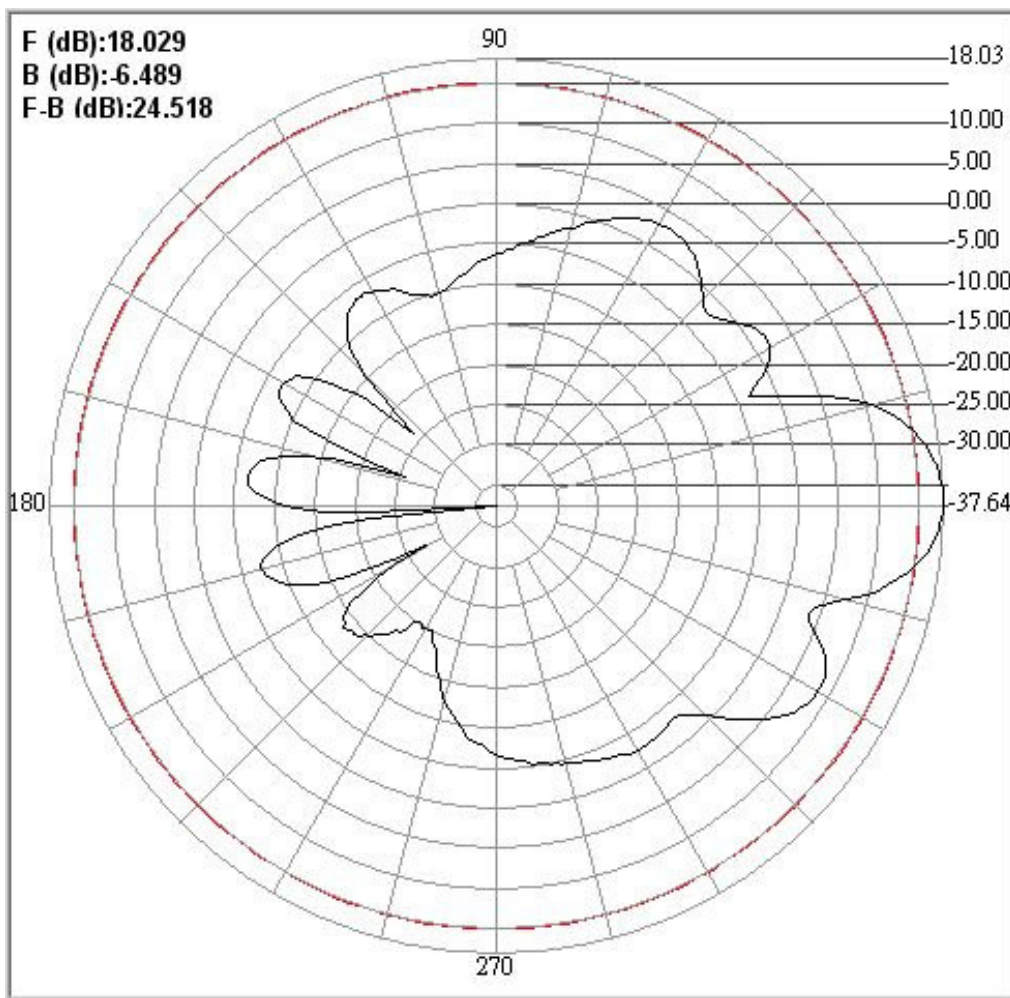


PRO-CELL CO., LTD.

No.6, Lane 133, Sec.1 Guo-Ji Road, Ta-yuan Hsiang, Taoyuan, Taiwan, R.O.C.
Tel: 886-3-3858288 Fax: 886-3-3858289
E-mail: sales@antenna.com.tw <http://www.antenna.com.tw>



E-PLANE





PRO-CELL CO., LTD.

SPECIFICATION FOR APPROVAL

Customer :

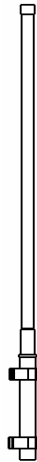
Model No. : OB-008

Description : 5.1 ~ 5.5GHz OMNI ANTENNA

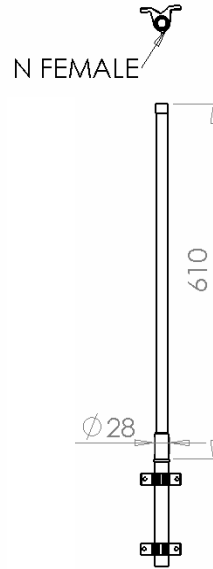
Date : 2006/12/28



PRO-CELL CO., LTD.



Antenna



Antenna + mount

Electrical Specifications:

Frequency Range	5.1 ~ 5.5GHz
VSWR	≤ 2.0
Impedance	$50\Omega \pm 5\Omega$
Gain	12dBi
Polarization	Vertical
Power Handling	10 Watt
Beam Width	H: 360° / E: 10.4°

Mechanical Specifications:

Connector	N Female
Operation Temp.	$-30^\circ\text{C} \sim +60^\circ\text{C}$
Material	Radome: Fiberglass Base: Copper Mount: Aluminum
Dimension (L*W*H)	$\text{O}28*610 \text{ mm}$
Weight	$500\text{g} \pm 20\text{g}$ (w/ mount)
Color	White

PRO-CELL CO., LTD.

No.6, Lane 133, Sec.1, Guo-Ji Road, Ta-yuan Hsiang, Taoyuan, Taiwan. R.O.C.
Tel: +886-3-3858288 Fax: +886-3-3858289
E-mail: sales@antenna.com.tw <http://www.antenna.com.tw>



PRO-CELL CO., LTD.

3D Illustration



PRO-CELL CO., LTD.

No.6, Lane 133, Sec.1, Guo-Ji Road, Ta-yuan Hsiang, Taoyuan, Taiwan. R.O.C.

Tel: +886-3-3858288

Fax: +886-3-3858289

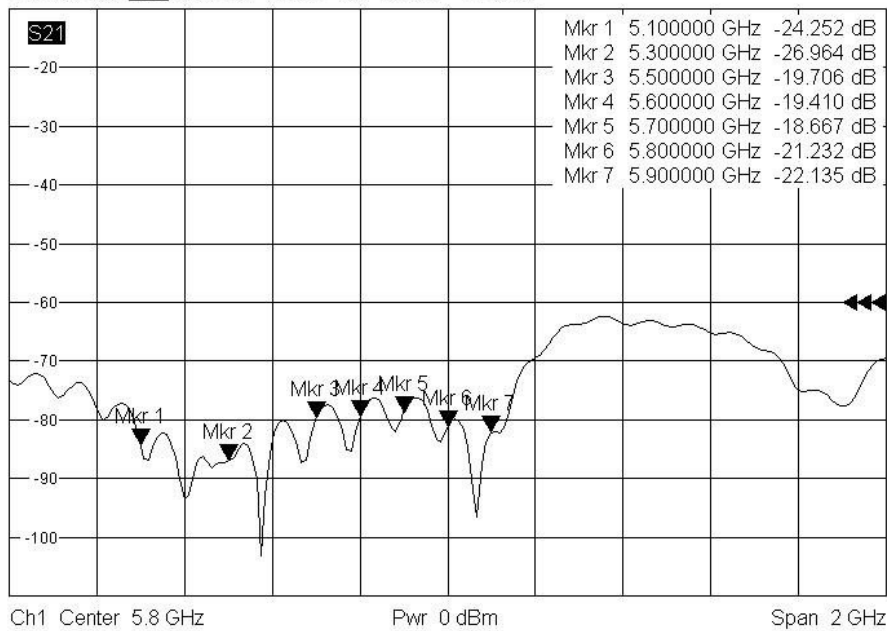
E-mail: sales@antenna.com.tw

<http://www.antenna.com.tw>



RETURN LOSS

Trc1 S11 dB Mag 10 dB / Ref 0 dB Cal
Trc2 S21 dB Mag 10 dB / Ref -60 dB Invisible
Mem3[Trc2] S21 dB Mag 10 dB / Ref -60 dB Invisible



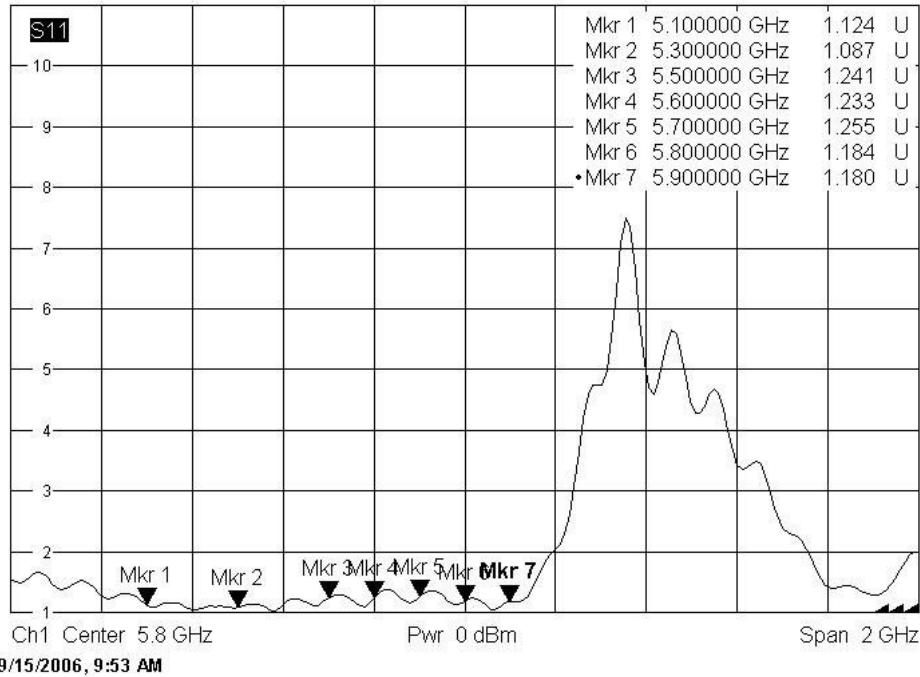
9/15/2006, 9:52 AM



PRO-CELL CO., LTD.

SWR

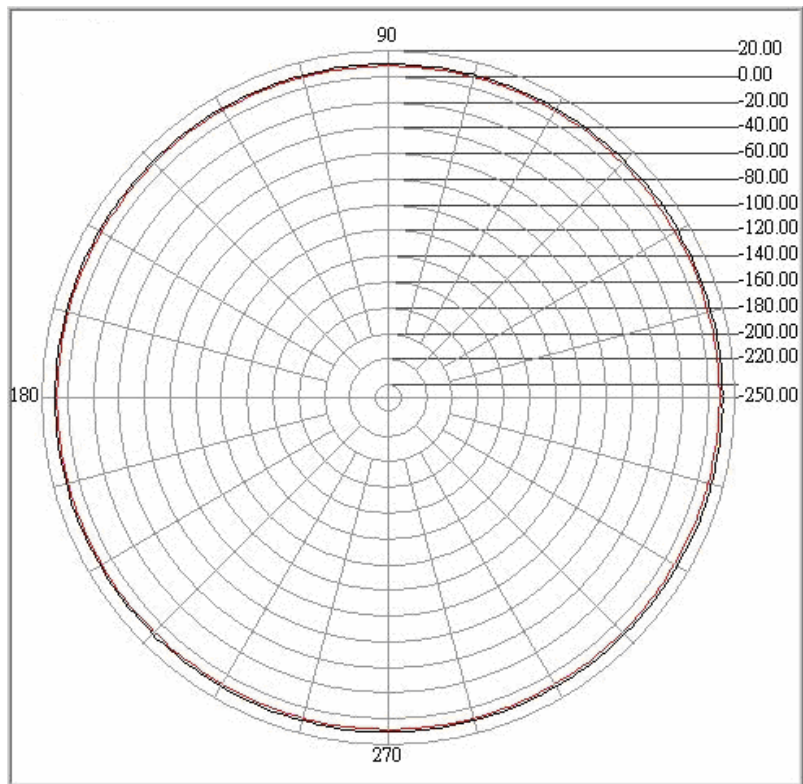
Trc1 S11 SWR 1 U / Ref 1 U Cal
 Trc2 S21 SWR 1 U / Ref 1 U Invisible
 Mem3[Trc2] S21 SWR 1 U / Ref 1 U Invisible





PRO-CELL CO., LTD.

H-PLANE



PRO-CELL CO., LTD.

No.6, Lane 133, Sec.1, Guo-Ji Road, Ta-yuan Hsiang, Taoyuan, Taiwan, R.O.C.

Tel: +886-3-3858288

Fax: +886-3-3858289

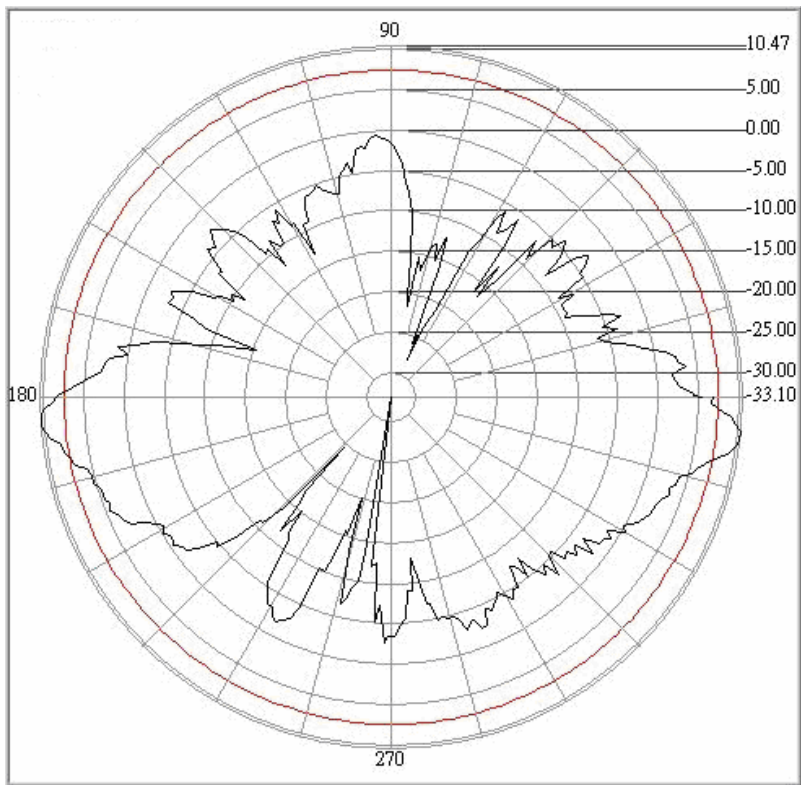
E-mail: sales@antenna.com.tw

<http://www.antenna.com.tw>



PRO-CELL CO., LTD.

E-PLANE





PRO-CELL CO., LTD.

SPECIFICATION FOR APPROVAL

Customer :

Model No. : PA-M02

Description : 5.1 ~ 5.835GHz PANEL ANTENNA

Date : 2006/10/31

PRO-CELL CO., LTD.

No.6, Lane 133, Sec.1, Guo-Ji Road, Ta-yuan Hsiang, Taoyuan, Taiwan. R.O.C.

Tel: 886-3-3858288

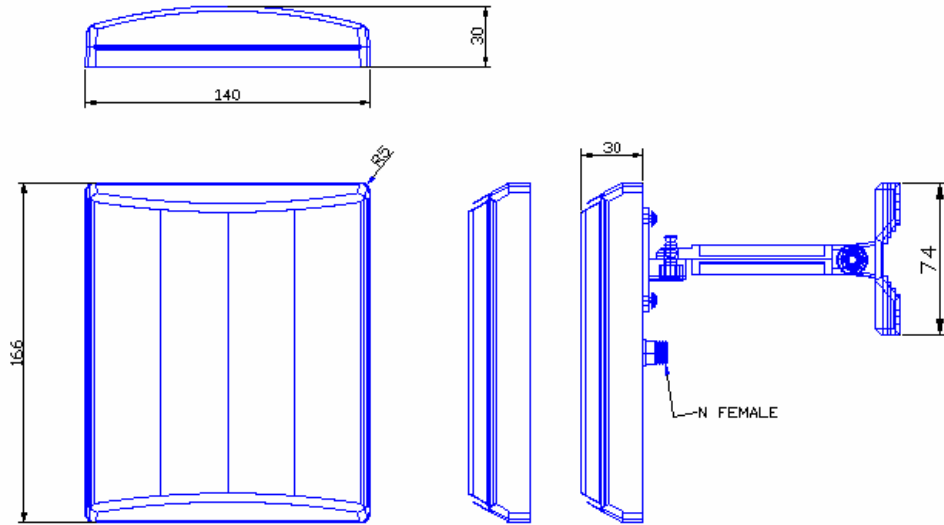
Fax: 886-3-3858289

E-mail: sales@antenna.com.tw

<http://www.antenna.com.tw>



PRO-CELL CO., LTD.



Electrical Specifications:

Frequency Range	5.1 ~ 5.835GHz
VSWR	≤ 2.0
Impedance	50Ω ± 5Ω
Gain	14 dBi
Polarization	Vertical
Power Handling	10 Watt
Beam Width	H: 28.4° / E: 31.2°

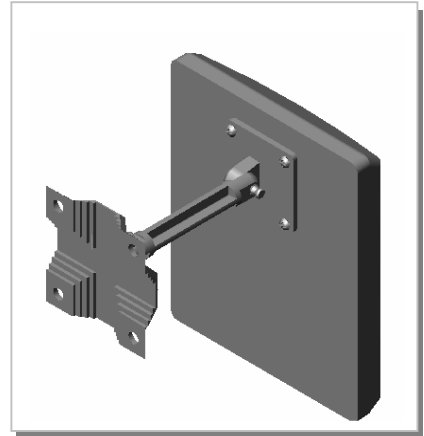
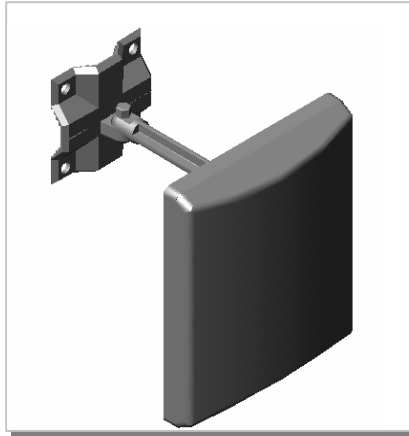
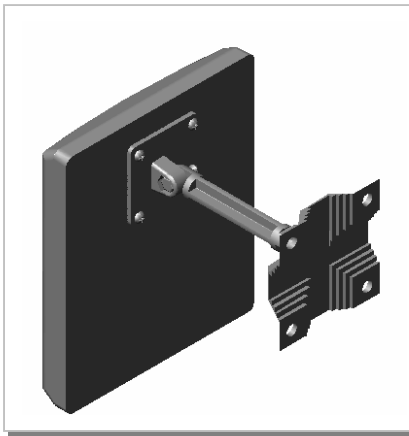
Mechanical Specifications:

Connector	N Female
Operation Temp.	-30°C ~ +60°C
Material	Radome: ABS Mount: Zinc Alloy
Dimension (L*W*H)	166*140*30 mm
Weight	370g ± 20g (w/ mount)
Color	White



PRO-CELL CO., LTD.

3D Illustration



PRO-CELL CO., LTD.

No.6, Lane 133, Sec.1, Guo-Ji Road, Ta-yuan Hsiang, Taoyuan, Taiwan, R.O.C.

Tel: 886-3-3858288

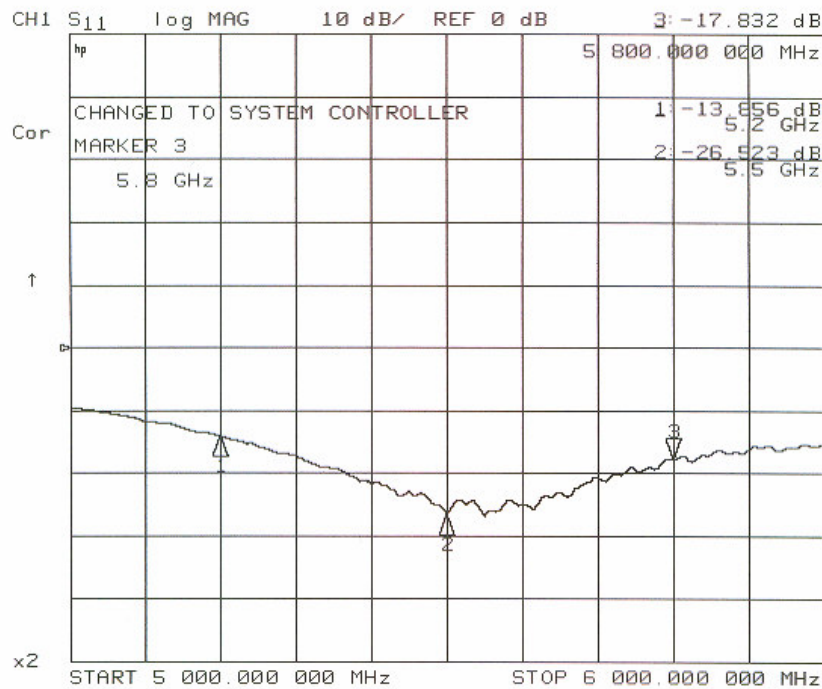
Fax: 886-3-3858289

E-mail: sales@antenna.com.tw

<http://www.antenna.com.tw>



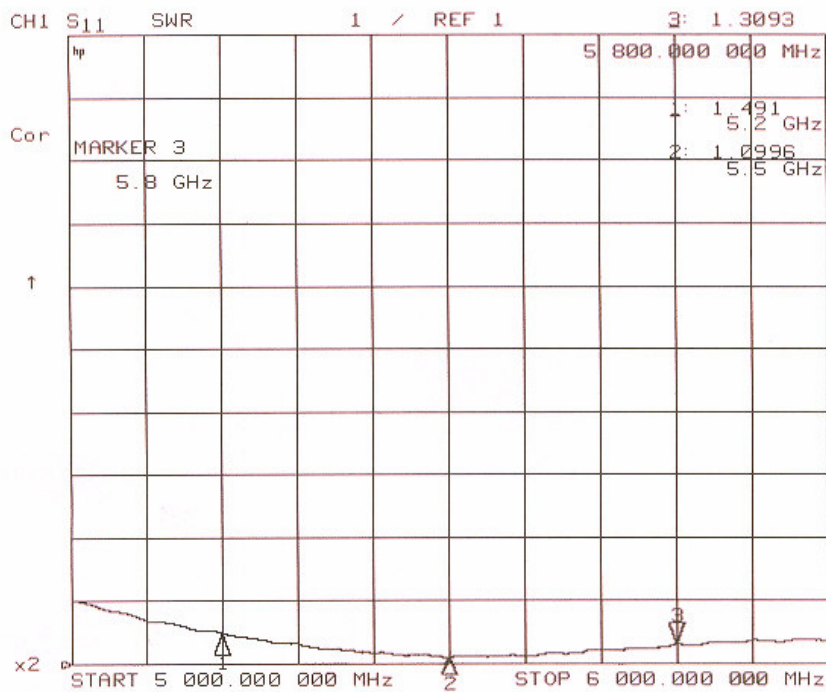
RETURN LOSS





PRO-CELL CO., LTD.

SWR



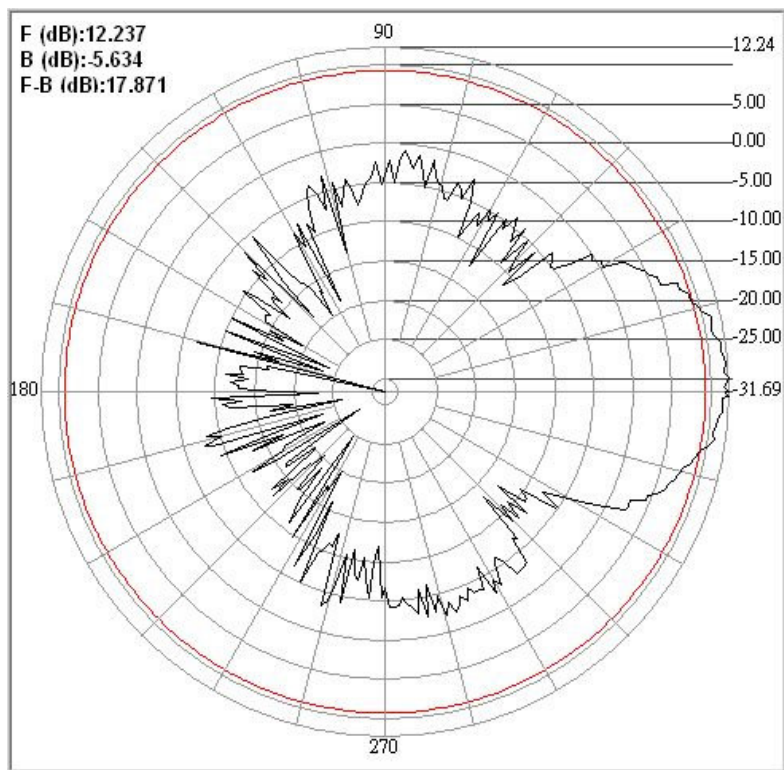
PRO-CELL CO., LTD.

No.6, Lane 133, Sec.1, Guo-Ji Road, Ta-yuan Hsiang, Taoyuan, Taiwan, R.O.C.
Tel: 886-3-3858288 Fax: 886-3-3858289
E-mail: sales@antenna.com.tw <http://www.antenna.com.tw>



PRO-CELL CO., LTD.

H-PLANE



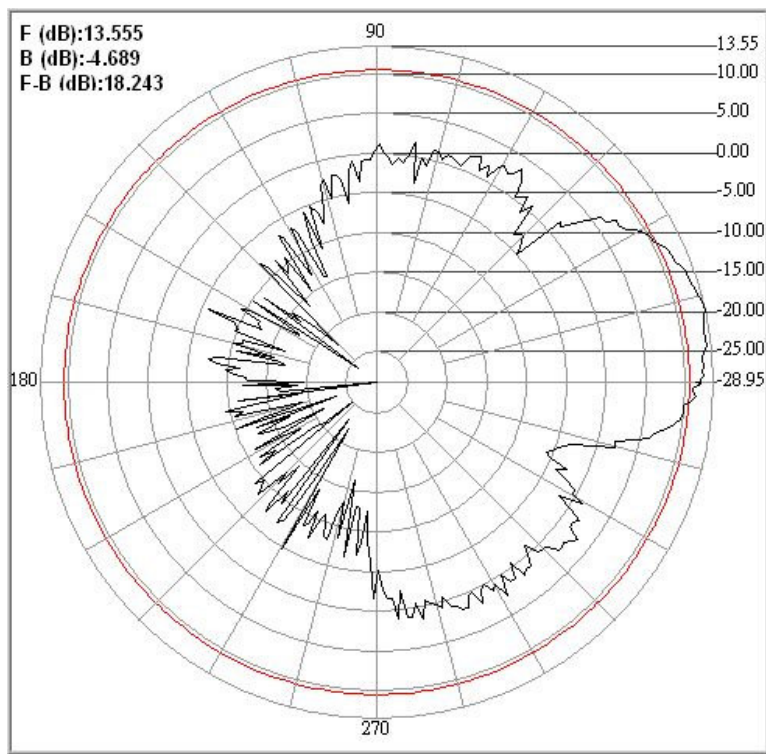
PRO-CELL CO., LTD.

No.6, Lane 133, Sec.1, Guo-Ji Road, Ta-yuan Hsiang, Taoyuan, Taiwan, R.O.C.
Tel: 886-3-3858288 Fax: 886-3-3858289
E-mail: sales@antenna.com.tw <http://www.antenna.com.tw>



PRO-CELL CO., LTD.

E-PLANE



PRO-CELL CO., LTD.

No.6, Lane 133, Sec.1, Guo-Ji Road, Ta-yuan Hsiang, Taoyuan, Taiwan, R.O.C.
Tel: 886-3-3858288 Fax: 886-3-3858289
E-mail: sales@antenna.com.tw <http://www.antenna.com.tw>



PRO-CELL CO., LTD.

SPECIFICATION FOR APPROVAL

Customer :

Model No. : PA-L02

Description : 5.1 ~ 5.8GHz PANEL ANTENNA

Date : 2006/08/09

PRO-CELL CO., LTD.

No.6, Lane 133, Sec.1, Guo-Ji Road, Ta-yuan Hsiang, Taoyuan, Taiwan. R.O.C.

Tel: 886-3-3858288

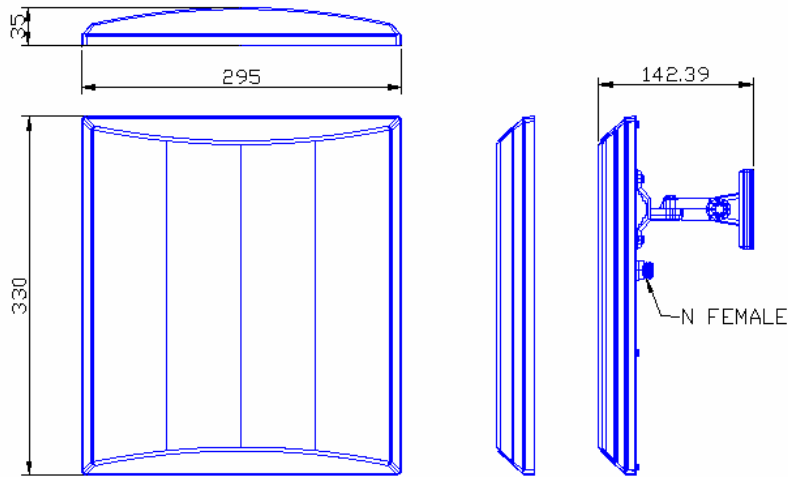
Fax: 886-3-3858289

E-mail: sales@antenna.com.tw

<http://www.antenna.com.tw>



PRO-CELL CO., LTD.



Electrical Specifications:

Frequency Range	5.1 ~ 5.8GHz
VSWR	≤ 2.0
Impedance	50Ω ± 5Ω
Gain	20 dBi
Polarization	Vertical
Power Handling	10 Watt
Beam Width	H: 16° / E: 16°

Mechanical Specifications:

Connector	N Female
Operation Temp.	-30°C ~ +60°C
Material	Radome: ABS Mount: Zinc Alloy
Dimension (L*W*H)	330*295*35 mm
Weight	1344g ± 20g (w/ mount)
Color	White

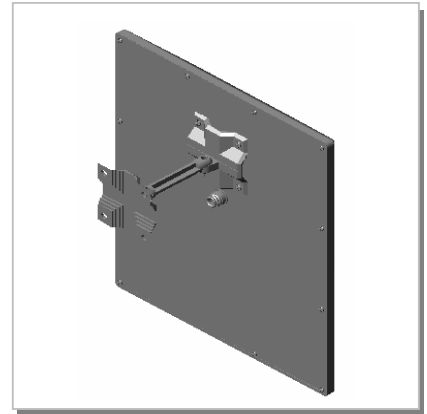
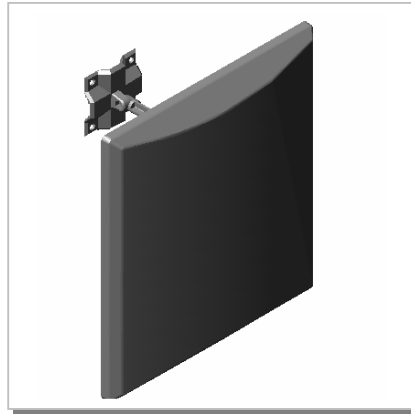
PRO-CELL CO., LTD.

No.6, Lane 133, Sec.1, Guo-Ji Road, Ta-yuan Hsiang, Taoyuan, Taiwan, R.O.C.
Tel: 886-3-3858288 Fax: 886-3-3858289
E-mail: sales@antenna.com.tw <http://www.antenna.com.tw>



PRO-CELL CO., LTD.

3D Illustration



PRO-CELL CO., LTD.

No.6, Lane 133, Sec.1, Guo-Ji Road, Ta-yuan Hsiang, Taoyuan, Taiwan, R.O.C.

Tel: 886-3-3858288

Fax: 886-3-3858289

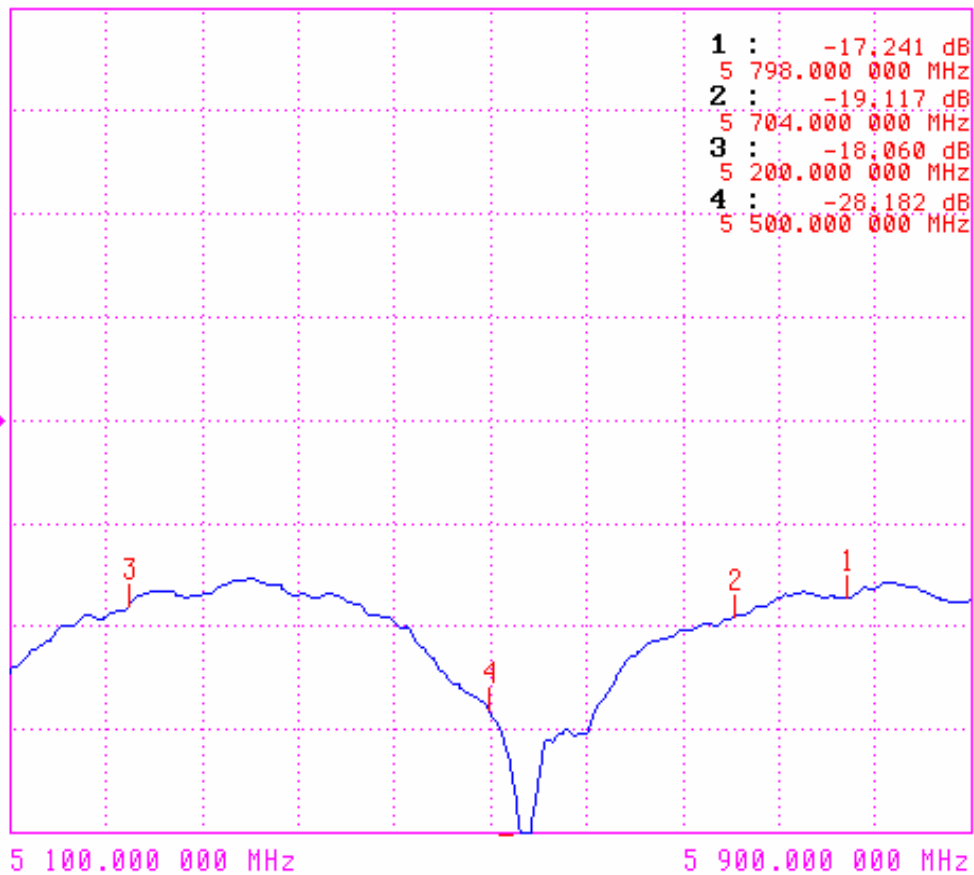
E-mail: sales@antenna.com.tw

<http://www.antenna.com.tw>



RETURN LOSS

S11 FORWARD REFLECTION TRANSMISSION/REFLECTION
CHN1
LOG MAGNITUDE REF=0.000 dB 10.000 dB/DIV



欲



PRO-CELL CO., LTD.

SWR

S11 FORWARD REFLECTION

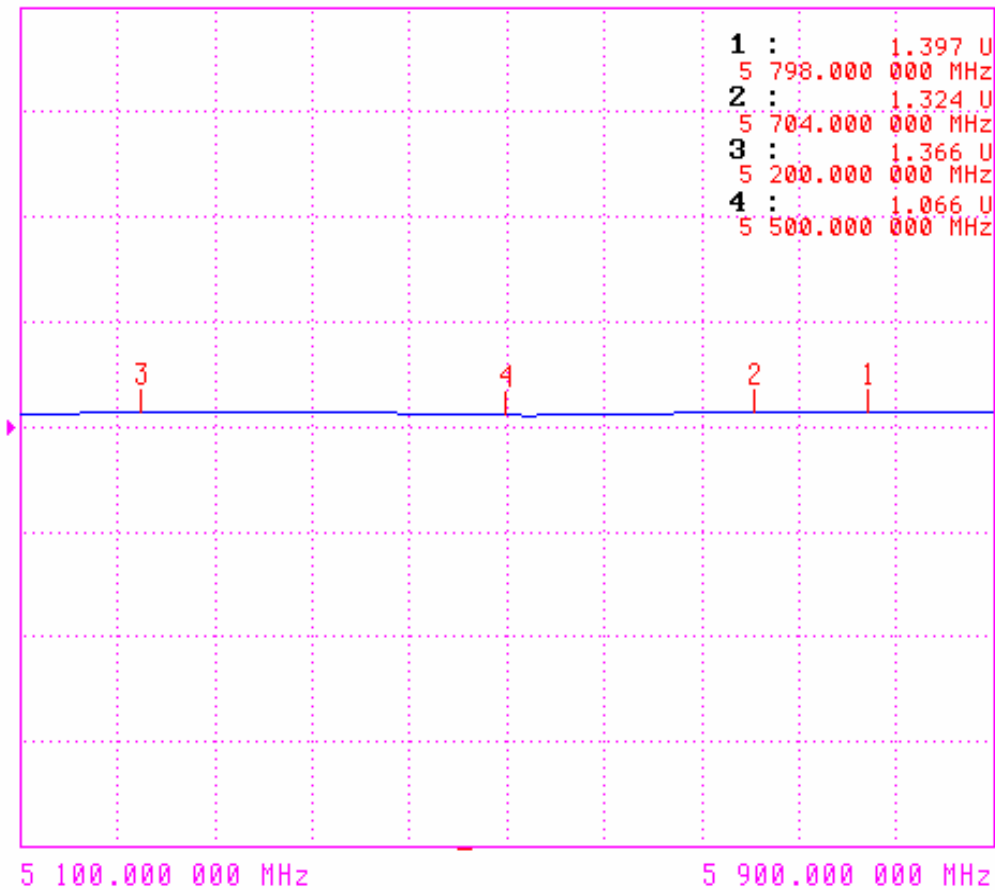
TRANSMISSION/REFLECTION

CHN1

SWR

REF=0.000 pU

10.000 U/DIV

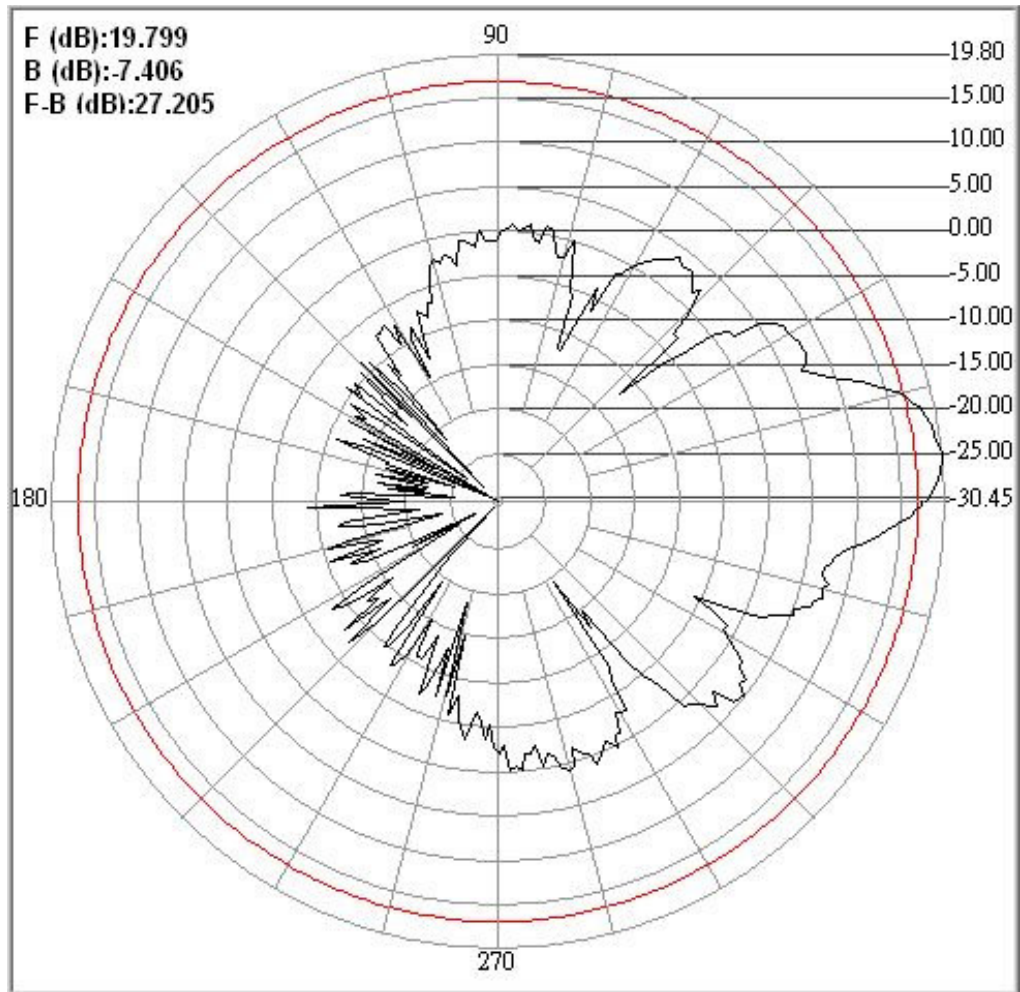


PRO-CELL CO., LTD.

No.6, Lane 133, Sec.1, Guo-Ji Road, Ta-yuan Hsiang, Taoyuan, Taiwan, R.O.C.
Tel: 886-3-3858288 Fax: 886-3-3858289
E-mail: sales@antenna.com.tw <http://www.antenna.com.tw>



H-PLANE





E-PLANE

