

Figure 6.6.1: Block diagram of an integrated UWB OFDM PHY

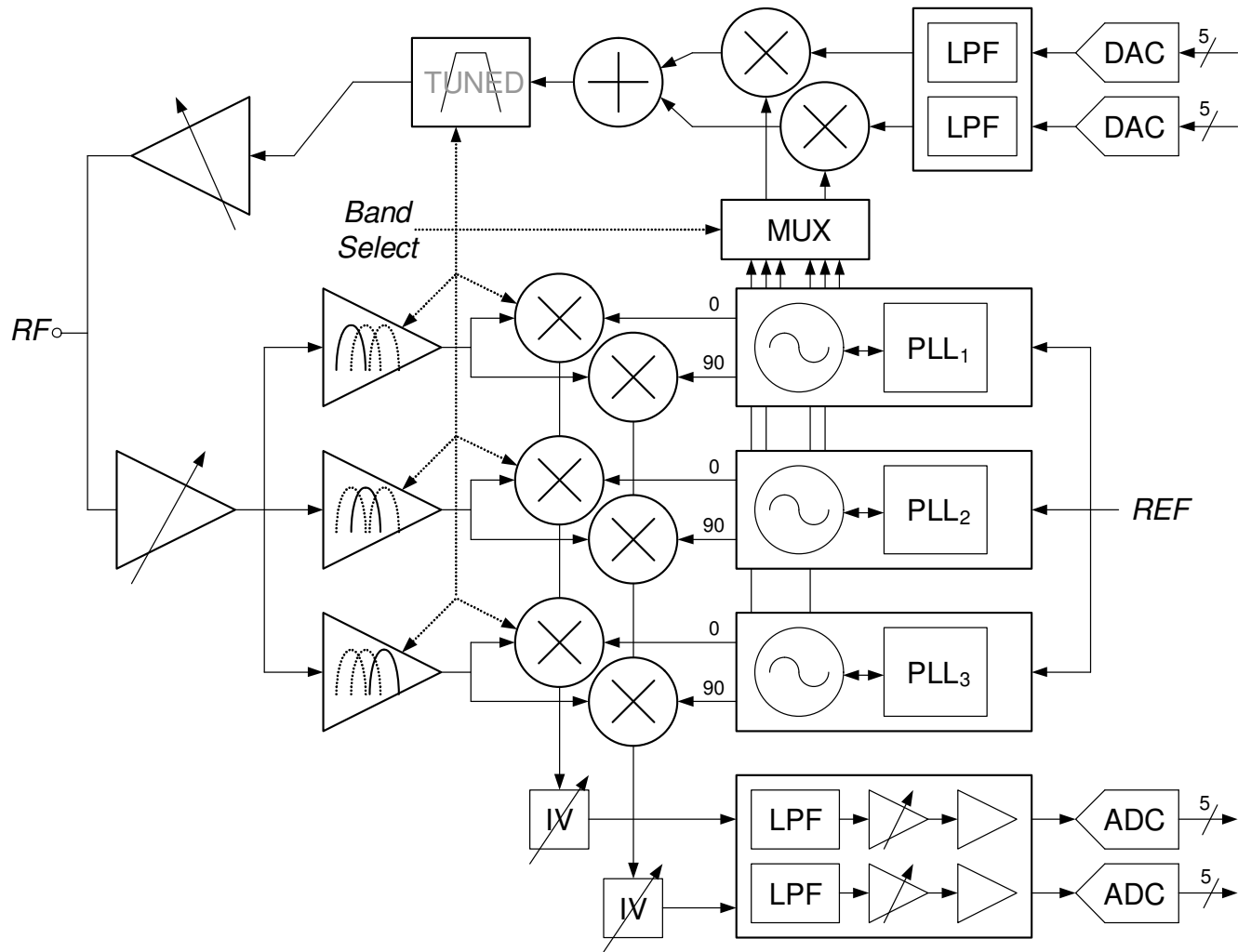


Figure 6.6.2: Block diagram of a direct-conversion transceiver

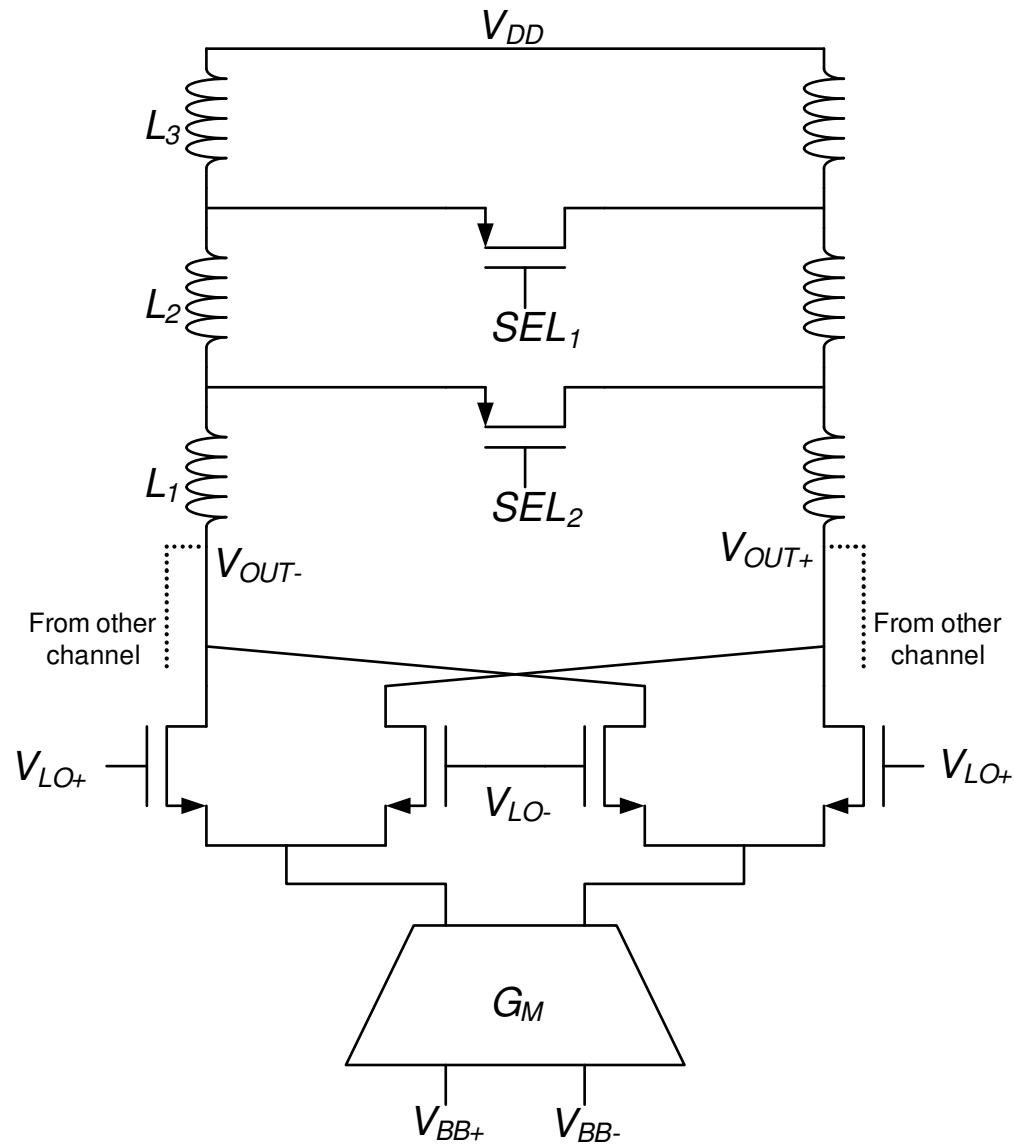


Figure 6.6.4: Simplified modulator circuit (one channel) and inductive load