

7/10/2008

Chief, Authorizations Branch
Federal Communications Commission
7435 Oakland Mills Road
Columbia, MD 21046

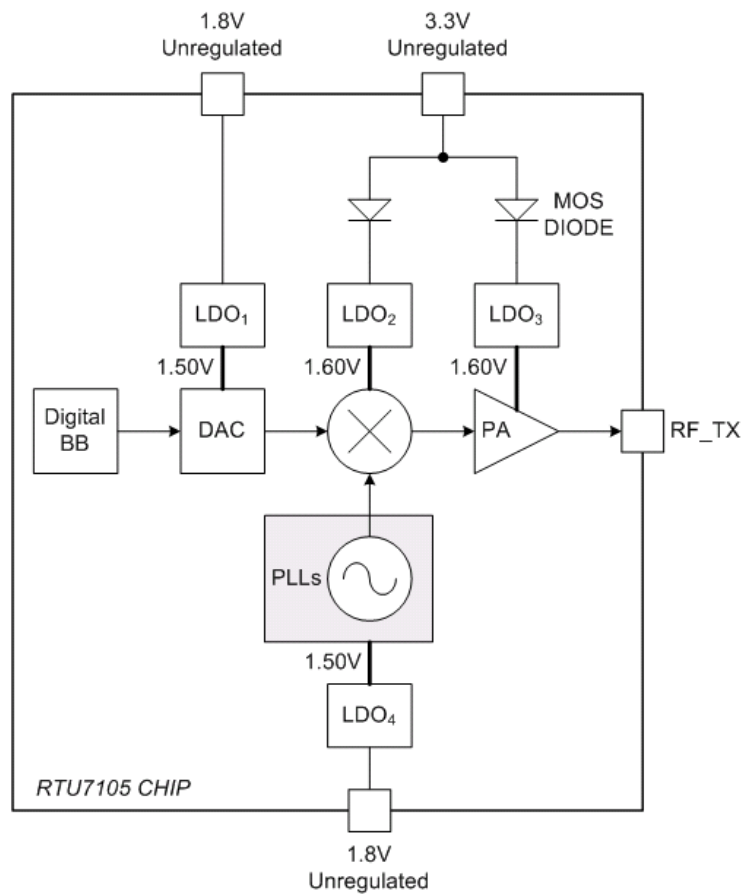
Modular Approval Request Letter

FCC ID: T8YRTU7105-MOD-V3

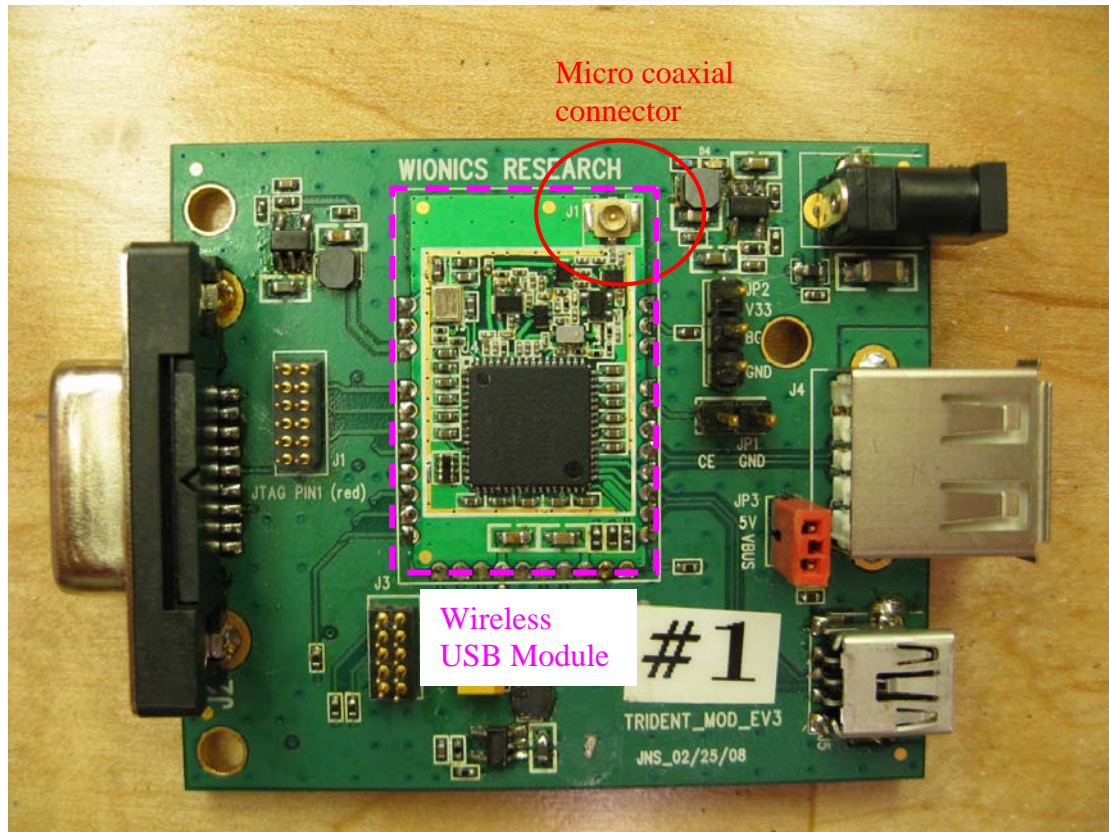
To Whom It May Concern:

Wionics Research, a branch of Realtek Semiconductor Corp. based in Taiwan, would like to have your authorization as a Singular Modular Transmitter of Wireless USB Module, FCC ID T8YRTU7105-MOD-V3. The eight requirements of 47 CFR 15.212 have been met and shown on the following statements.

1. "The modular transmitter must have its own RF shielding": All shielding necessary for ultra-wideband operation is accomplished by multi-layer construction of printed wire board of Wireless USB Module.
2. "The modular transmitter must have buffered modulation/data inputs": The Wireless USB Module has buffered data inputs; it is integrated in RTU7105 chip.
3. "The modular transmitter must have its own power supply regulation": Power regulation function is built in RTU7105 chip, as shown in the block diagram.

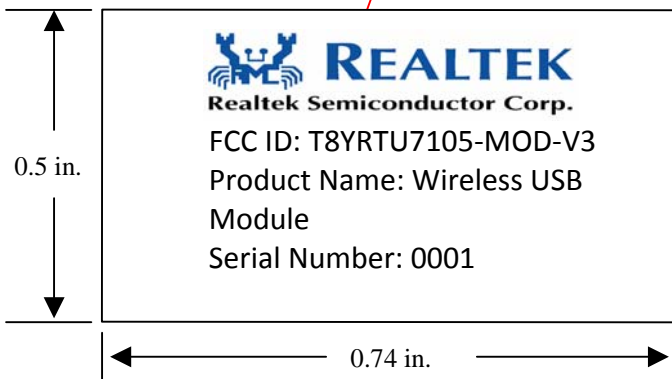
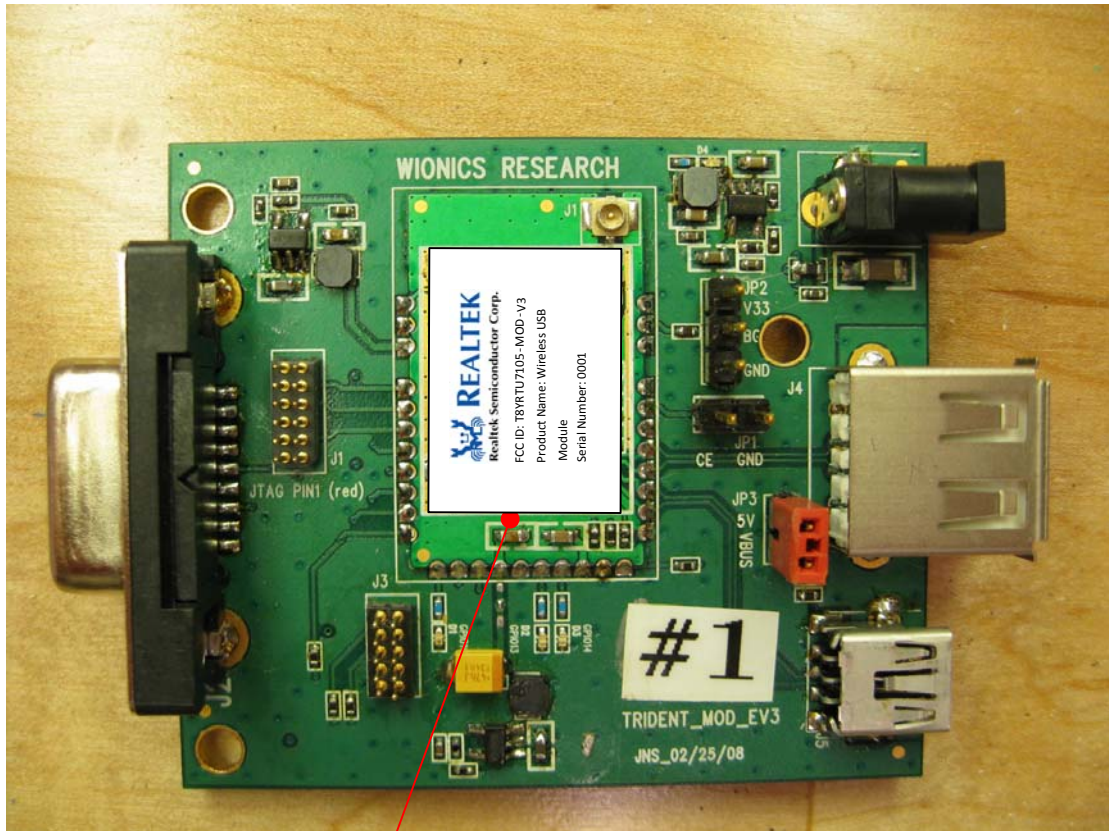


4. “The modular transmitter must comply with the antenna requirements of section 15.203 and 15.204(C)”: The Wireless USB Module has a unique micro coaxial coupling between antenna and Wireless USB Module, shown in the following picture and its meets the FCC antenna requirements.



5. “The modular transmitter must be tested in a stand-alone configuration ”: The Wireless USB Module was tested in a stand-alone configuration. The detailed test configuration is described in the test report.

6. “The modular transmitter must be equipped with either a permanently affixed label or must be capable of electronically displaying its FCC identification number.”: The EUT Name is marketed with a permanently affixed label shown in label drawing. This label is equipped to the Wireless USB Module at the place shown in the following picture.



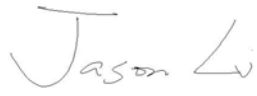
Actual size

7. “The modular transmitter must comply with any specific rule or operating requirements”: The Wireless USB Module was tested as reported in the attached test report. The Wireless USB Module complies with the requirement of 47 CFR part 15 Subsection F. Detailed compliance information is described in the test report.

8. “The modular transmitter must comply with any applicable RF exposure requirements.”: The Wireless USB Module complies with Maximum Permissible Exposure requirement and its calculation is shown in the test report.

If you have any questions, please feel free to contact me.

Sincerely,

A handwritten signature in cursive script that reads "Jason Li". The signature is written in a dark ink and is positioned above a horizontal line.

Jason Li, 7/10/2008

RF Systems Director

Wionics Research

Realtek Semiconductor Corp.

49 Discovery #100, Irvine, CA 92618